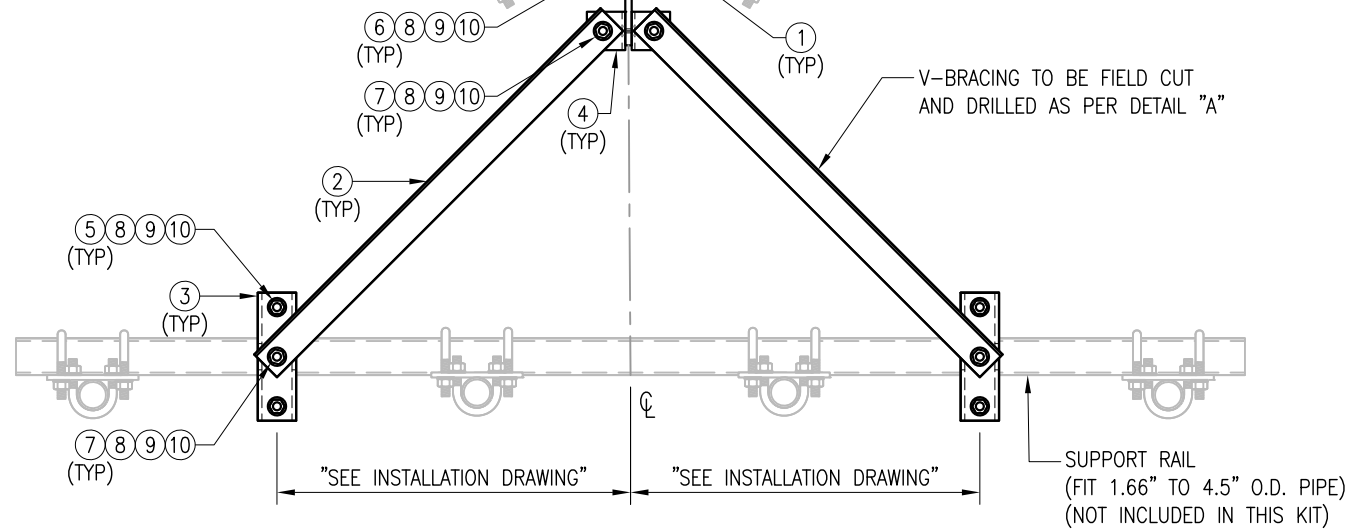
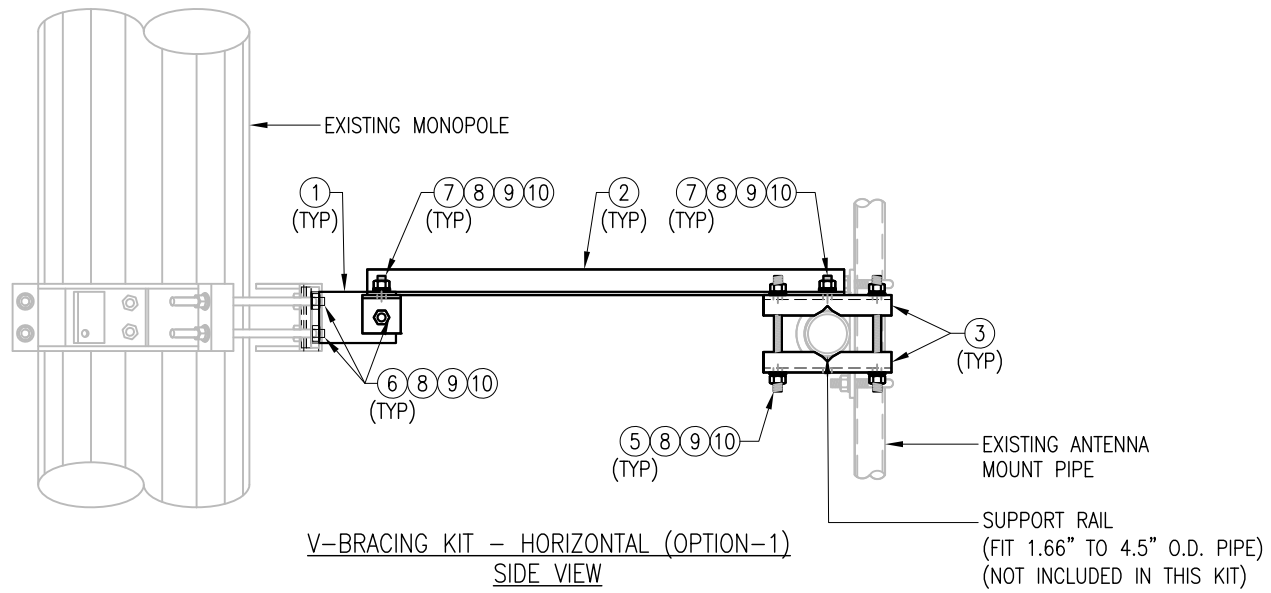


VZSMART MONOPOLE COLLAR MOUNT ASSEMBLY. (NOT INCLUDED IN THIS KIT)

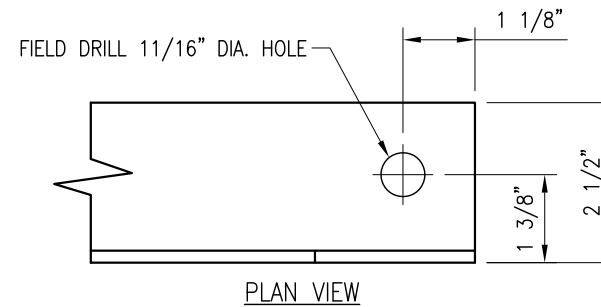
EXISTING MONOPOLE



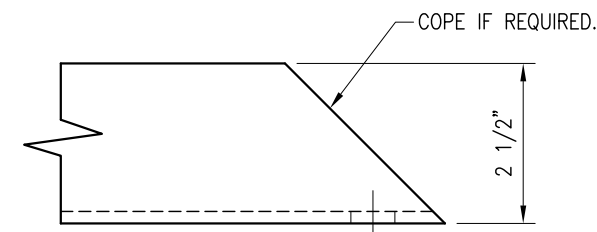
V-BRACING KIT FOR MONOPOLE
PLAN VIEW



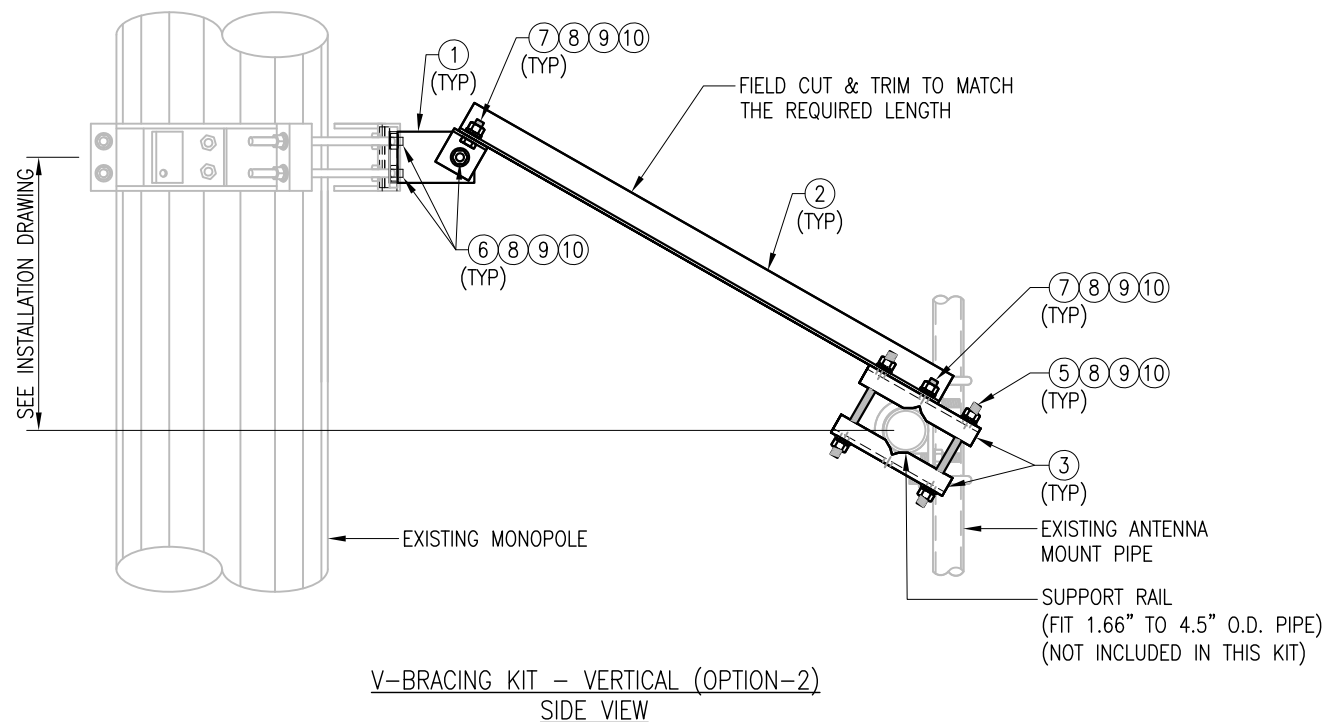
V-BRACING KIT - HORIZONTAL (OPTION-1)
SIDE VIEW



PLAN VIEW



FRONT VIEW
DETAIL "A"



V-BRACING KIT - VERTICAL (OPTION-2)
SIDE VIEW

NOTES:
1. HOT-DIPPED GALVANIZED PER ASTM A123.

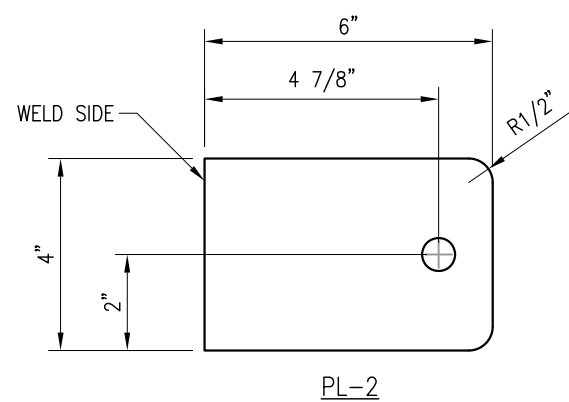
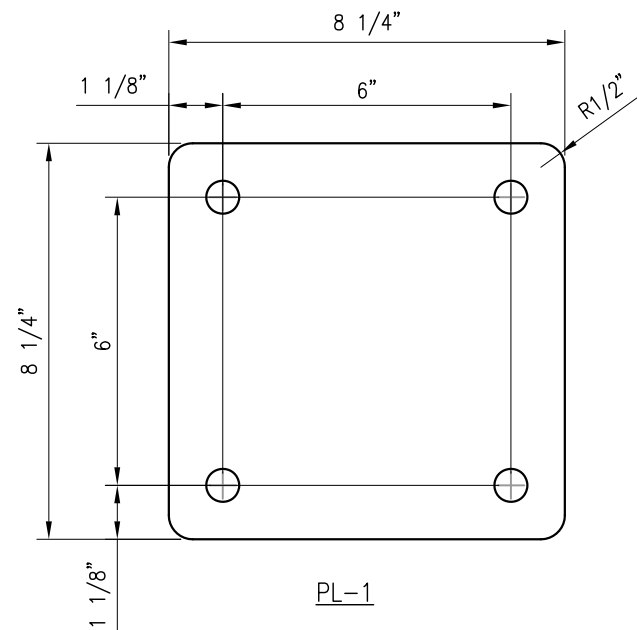
TES-SS-PLK6 (V-BRACING KIT FOR MONOPOLE)					
ITEM NO.	QTY.	PART NO.	DESCRIPTION	SHEET #	WT
1	1	BRKW-6A	WELDMENT BRACKET	PLK6-F1	16
2	2	L252525-8	L 2 1/2" X 2 1/2" X 1/4" X 8'-0" A36	PLK6-F2	67
3	4	BP6875-10	PL 1/4" X 6 7/8" X 10" A36 BENT PLATE	PLK6-F2	20
4	2	AL-333	L 3" X 3" X 1/4" X 3" A36	PLK6-F2	3
5	4	---	THREADED ROD 5/8" DIA. X 10" Fy=36 KSI HDG	---	---
6	5	---	BOLT 5/8" X 2 1/4" A325	---	---
7	4	---	BOLT 5/8" X 1 3/4" A325	---	---
8	17	FW-625	5/8" HDG USS FLAT WASHER	---	2
9	17	LW-625	5/8" HDG LOCK WASHER	---	0
10	17	NUT-625	5/8" HDG HEX NUT	---	2
GALVANIZED WT					109

DRAWN BY: MN CHECKED BY: KW/SK

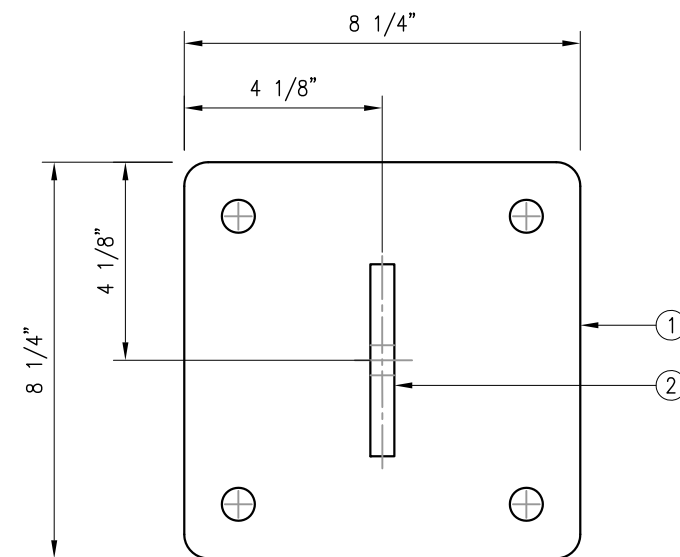
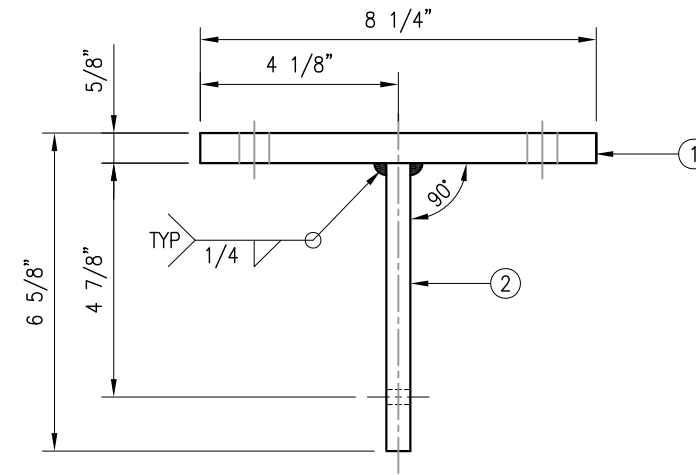
REV.	DESCRIPTION	BY	DATE
1	FIRST ISSUE	MN	07/18/23

SHEET TITLE:
TES-SS-PLK6
V-BRACING KIT FOR
MONOPOLE

SHEET NUMBER: TES-SS-PLK6
REV #: 0



BRKW-6A WELDMENT						
ITEM NO.	QTY.	PART NO.	DESCRIPTION	GRADE	WT	
1	1	PL-1	PL 5/8" X 8 1/4" X 0'-8 1/4"	A36	11.79	
2	1	PL-2	PL 1/2" X 4" X 0'-6"	A36	3.34	
					BLACK WT	15.1
					GALVANIZED WT	15.9



NOTES:
1. ALL HOLES ARE 11/16" DIA. U.N.O

NOTES:
1. WELD TYPE: E70XX.
2. HOT-DIPPED GALVANIZED PER ASTM A123.

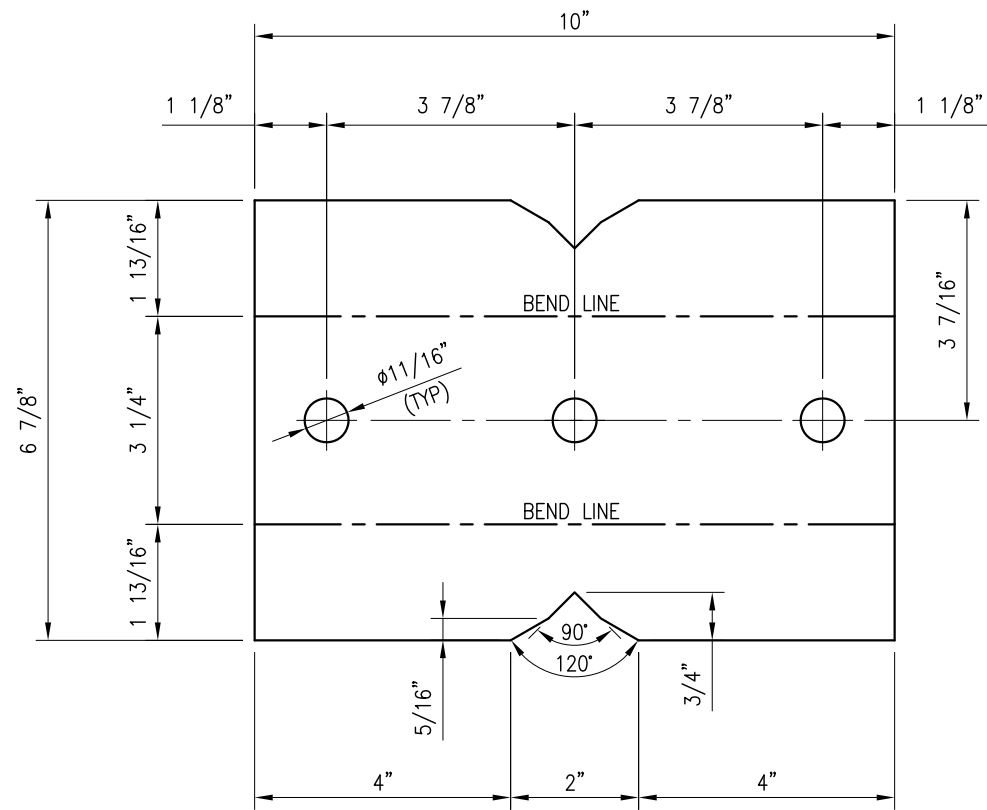
DRAWN BY: MN CHECKED BY: KW/SK

REV.	DESCRIPTION	BY	DATE
1	FIRST ISSUE	MN	07/18/23

SHEET TITLE:

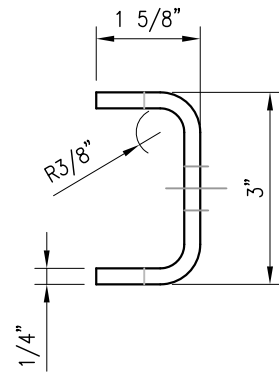
FABRICATION DETAILS

SHEET NUMBER:	REV #:
PLK6-F1	0

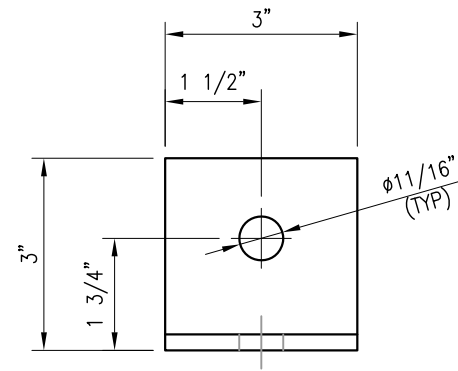


BEFORE BENDING

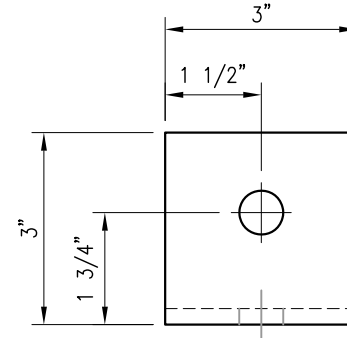
BP6875-10
 PL 1/4" X 6 7/8" X 10" A36 BENT PLATE
 (4.97 LBS)



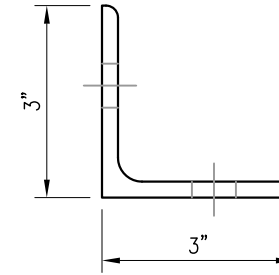
AFTER BENDING



PLAN VIEW

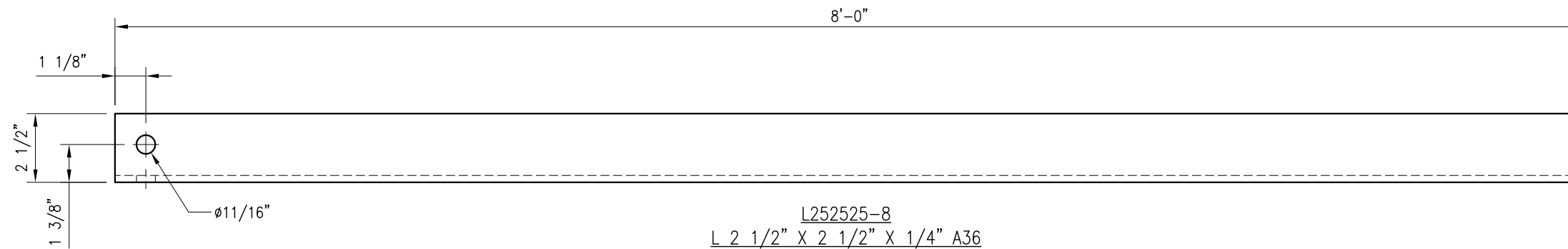


FRONT VIEW



SIDE VIEW

AL-333
 L 3" X 3" X 1/4" X 3" A36
 (1.25 LBS)



L252525-8
 L 2 1/2" X 2 1/2" X 1/4" A36
 (33.5 LBS)

NOTES:
 1. HOT-DIPPED GALVANIZED PER ASTM A123.

DRAWN BY: MN CHECKED BY: KW/SK

REV.	DESCRIPTION	BY	DATE
1	FIRST ISSUE	MN	07/18/23

SHEET TITLE:

FABRICATION DETAILS

SHEET NUMBER: REV #:

PLK6-F2 0