

TES-SS-MSK16
STUD MOUNTED WIRE ROPE GUIDE WITH CLIP ANGLE

TES-SS-MSK16 (STUD MOUNTED WIRE ROPE GUIDE WITH CLIP ANGLE)						
ITEM NO.	QTY.	PART NO.	DESCRIPTION	SHEET #	WT	
1	1	AL-333	L 3" X 3" X 1/4" X 3" A36	AL333-F1	1	
2	1	TES-SS-CG-SM	WIRE ROPE GUIDE -- STUD MOUNT	---	1	
3	1	---	BOLT 5/8" X 2" FULL THREAD SAE GR-5	---	--	
4	1	FW-625	5/8" HDG USS FLAT WASHER	---	0	
5	1	LW-625	5/8" HDG LOCK WASHER	---	0	
6	1	NUT-625	5/8" HDG HEX NUT	---	0	
					GALVANIZED WT	2

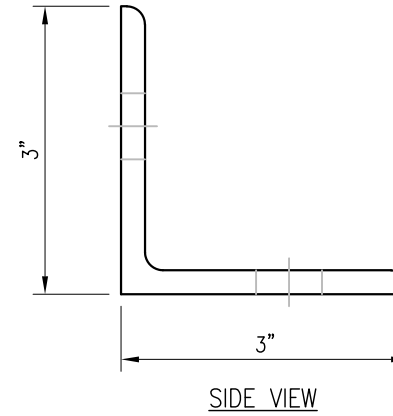
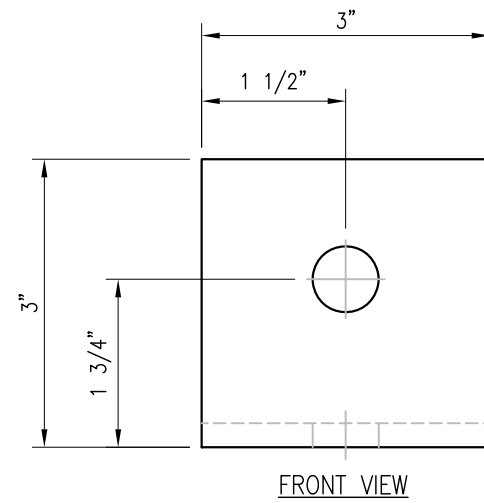
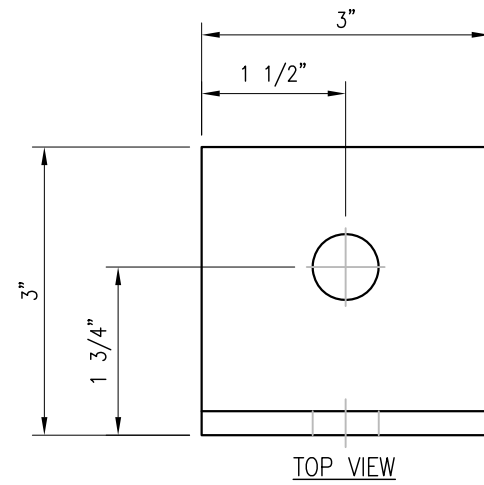
NOTES:
1. HOT-DIPPED GALVANIZED PER ASTM A123.

DRAWN BY: PF CHECKED BY: KW/SK

REV.	DESCRIPTION	BY	DATE
1	FIRST ISSUE	PF	07/18/23

SHEET TITLE:
TES-SS-MSK16
STUD MOUNTED WIRE ROPE
GUIDE WITH CLIP ANGLE

SHEET NUMBER: TES-SS-MSK16
REV #: 0



AL333
 L 3" X 3" X 1/4" X 3" A36
 (1.25 LBS)

- NOTES:
 1. ALL HOLES ARE 11/16" DIA U.N.O
 2. HOT-DIPPED GALVANIZED PER ASTM A123.

DRAWN BY: PF CHECKED BY: KW/SK

REV.	DESCRIPTION	BY	DATE
1	FIRST ISSUE	PF	07/18/23

SHEET TITLE:

FABRICATION DETAILS

SHEET NUMBER: REV #:

AL333-F1 0