

CLIP ANGLE  
ISOMETRIC VIEW

DRAWN BY: JM CHECKED BY: KW/

REV.	DESCRIPTION	BY	DATE
1	FIRST ISSUE	JM	07/18/23

SHEET TITLE:

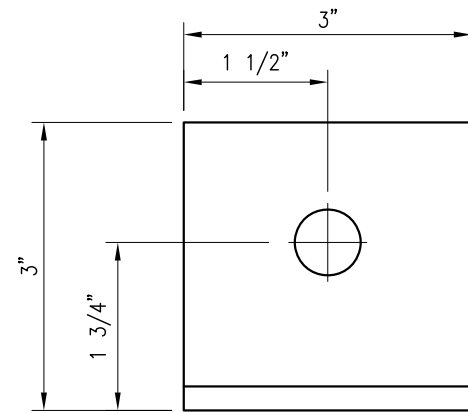
TES-SS-AL333  
CLIP ANGLE

SHEET NUMBER: REV #:

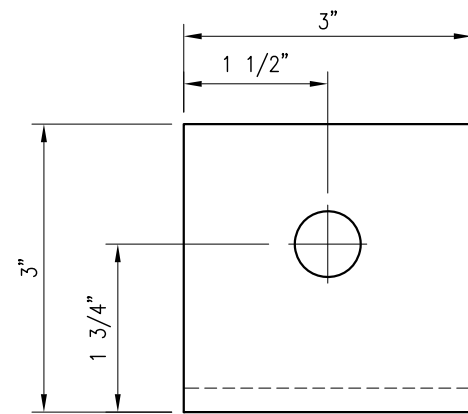
TES-SS-AL333 0

TES-SS-AL333 (CLIP ANGLE)					
ITEM NO.	QTY.	PART NO.	DESCRIPTION	SHEET #	WT
1	2	AL-333	L 3" X 3" X 1/4" X 3" A36	AL333-F1	2.50
2	2	---	BOLT 5/8" X 2" FULL THREAD SAE GR-5	---	0.77
3	2	FW-625	5/8" HDG USS FLAT WASHER	---	0
4	2	LW-625	5/8" HDG LOCK WASHER	---	0
5	2	NUT-625	5/8" HDG HEX NUT	---	0
GALVANIZED WT					3.27

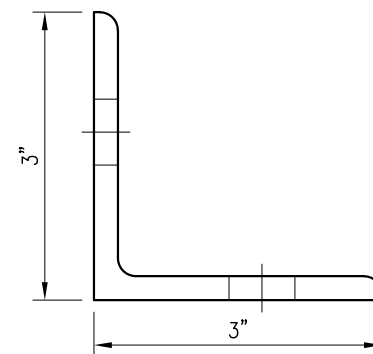
NOTES:  
1. HOT-DIPPED GALVANIZED PER ASTM A123.



TOP VIEW



FRONT VIEW



SIDE VIEW

AL333  
 L 3" X 3" X 1/4" X 3" A36  
 (1.25 LBS)

NOTES:

1. ALL HOLES ARE 11/16" DIA. U.N.O
2. HOT-DIPPED GALVANIZED PER ASTM A123.

DRAWN BY: JM CHECKED BY: KW/

REV.	DESCRIPTION	BY	DATE
1	FIRST ISSUE	JM	10/08/21

SHEET TITLE:

FABRICATION DETAILS

SHEET NUMBER: REV #:

AL333-F1 0