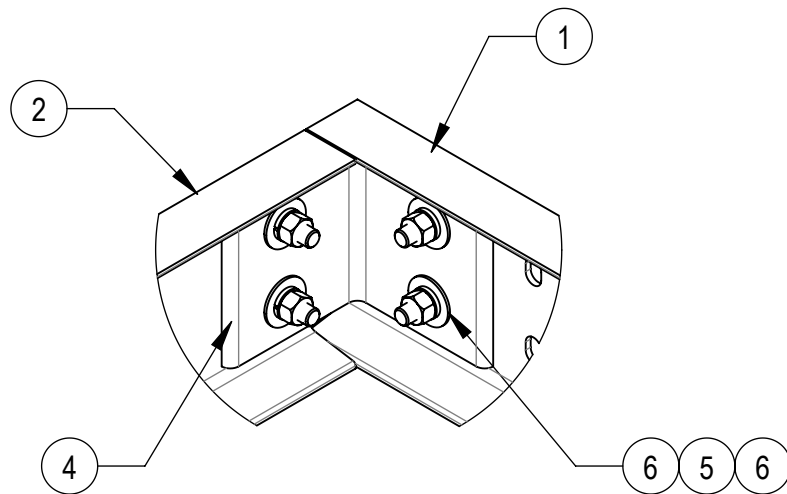
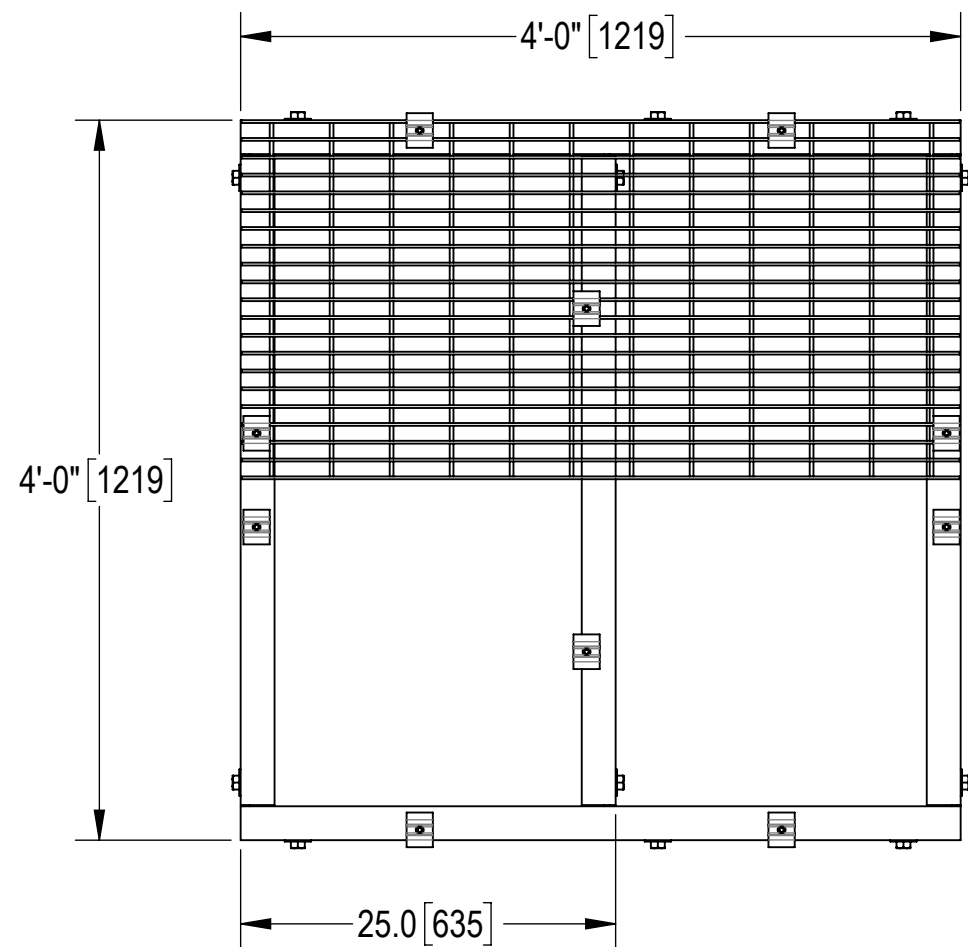
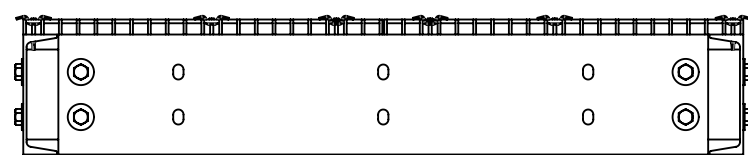
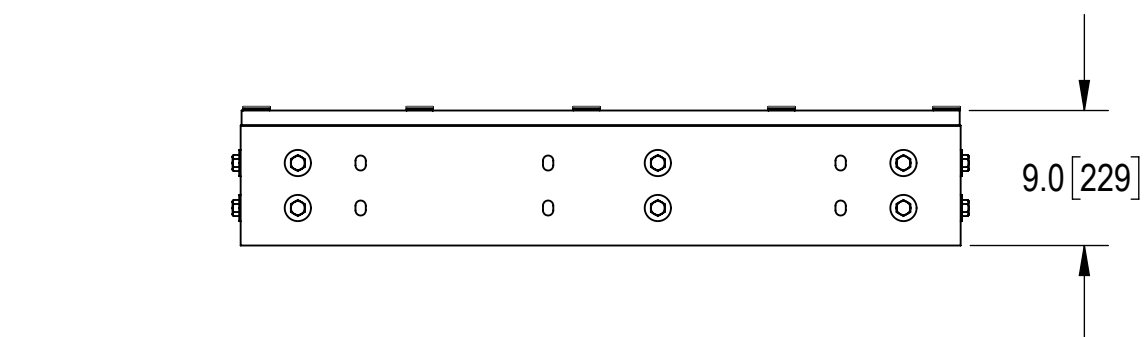
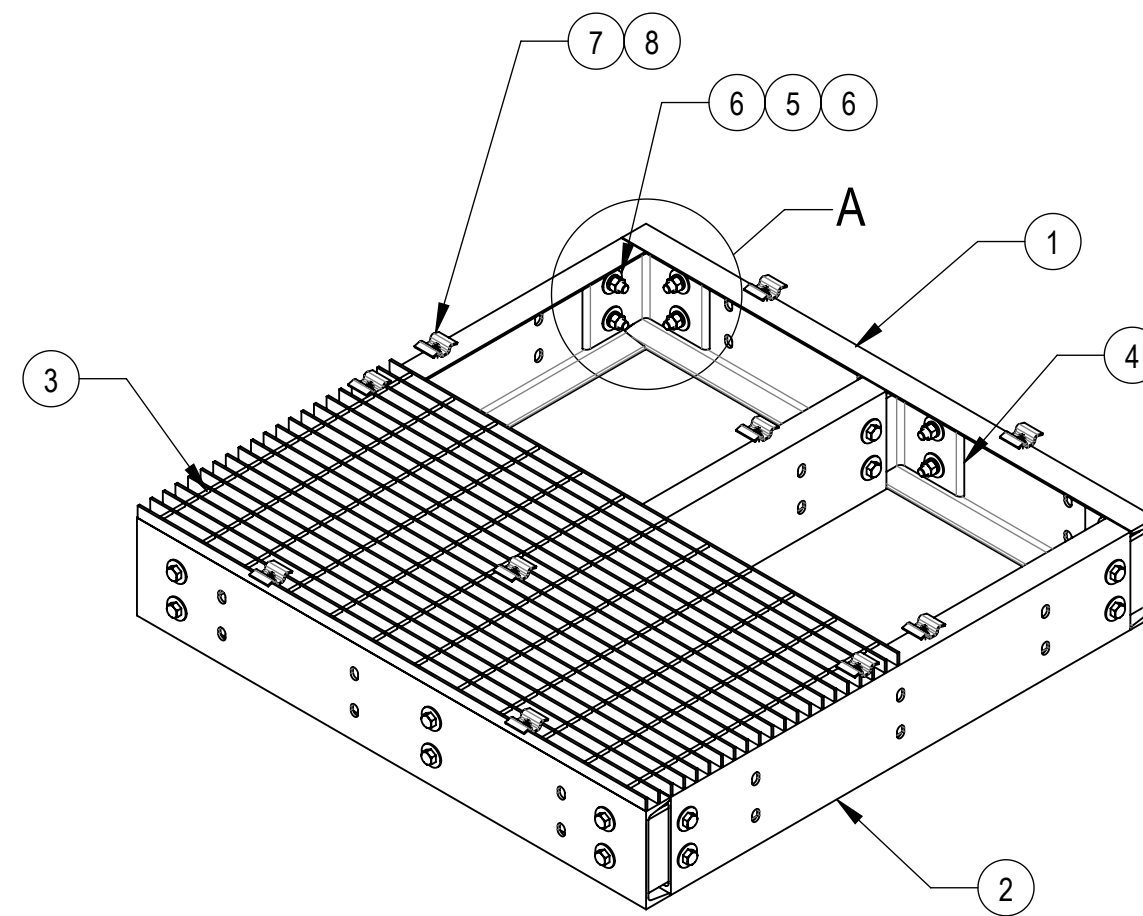


- 1.0 GENERAL NOTES  
 1.1 ALL METRIC DIMENSIONS ARE IN BRACKETS [X.X]  
 1.2 FOR PATENT INFO: <https://www.cs-pat.com>  
 2.0 DESIGN NOTES  
 3.0 MANUFACTURING/SPECIAL REQUIREMENTS  
 3.1 TIGHTEN ALL BOLTS SECURING FLAT PLATES BY THE TURN-OF-NUT METHOD. TIGHTEN ALL U-BOLTS USING TURN-OF-NUT METHOD WITH ATTENTION TO LEAVE EQUAL DISTANCE AND EQUAL FORCE ON EACH LEG OF THE U-BOLT.  
 3.2 BAR GRATING ALIGNED ACROSS CENTER CHANNELS.  
 4.0 TEST  
 5.0 PACKAGING  
 5.1 PACKAGING SHALL MEET COMMSCOPE REQUIREMENTS PER DOCUMENT IS-PL-3005  
 5.2 PRINTED DOCUMENT TO BE PLACED INSIDE POLYBAG AND THEN IN SHIPPING CONTAINER  
 5.3 EXTRA HARDWARE MAY BE SUPPLIED, BAGGED AND SHIPPED  
 5.4 UP TO 5% ADDITIONAL HARDWARE INCLUDED

REVISIONS			
REV.	DESCRIPTION	DATE	APPROVED
A	INITIAL RELEASE	DRR 12SEP11	TP
B	UPDATED DRAWING FORMAT; MTC390324 AND TS1220 WAS GCM03	LL1090 01MAR24	BCROSS 40190172CMO



DETAIL A  
SCALE 1 : 6



HIDE BAR GRATING FOR CLARITY

COMPONENT PART NUMBERS PROVIDED FOR ASSEMBLY PURPOSES;  
INDIVIDUAL COMPONENTS MAY BE SHIPPED AS PARTS WITHIN AN INCLUDED KIT.

ITEM	PART NO.	DESCRIPTION	QTY.	WEIGHT	NOTE NO.
1	MTC7902040401	4' SIDE CHANNEL	2	0.00 LBS	
2	MTC7902040702	4' CENTER CHANNEL	3	40.85 LBS	
3	MTC910205	24" X 48" GRATING	2	56.95 LBS	
4	MTC790203	CHANNEL ADAPTER ANGLE	6	7.07 LBS	
5	GB-05205	5/8" X 2" GALV BOLT KIT	24	0.26 LBS	
6	GWF-05	5/8" GALV FLAT WASHER, 1.7OD	48	0.06 LBS	
7	MTC390324	BAR GRATING CLIP	10	0.17 LBS	
8	TS1220	12-24 X 2" SELF DRILLING SCREW	10	0.03 LBS	

DENSITY		lbs/in <sup>3</sup>
MASS	382.82	lbs
VOLUME	1354.93	in <sup>3</sup>
SURFACE AREA	12137.24	in <sup>2</sup>
HEIGHT	9.0"	
LENGTH	48.0"	
WIDTH	48.0"	

<b>COMMSCOPE, INC. OF NORTH CAROLINA</b>								
TOLERANCES		SAP MATERIAL MASTER						
1 PLACE .X[X] ± 0.12[3.0]	3 PLACE .XXX[X] ± 0.031[0.8]	<b>EQ-P0404-B</b>						
2 PLACE .XX[X] ± 0.06[1.5]	ANGLES ± 2°							
FINISH		MATERIAL						
UNLESS OTHERWISE SPECIFIED DIMENSIONS ARE IN INCHES INTERPRET PER ANSI Y 14.5M-1994	NAME	DATE	TITLE					
	CE DRR	12SEP11	<b>4' X 4' EQUIPMENT PLATFORM</b>					
	RW LL1090	03/15/2024						
	AD YW1045	03/18/2024						
	RE YMENG	04/02/2024						
ECN 40190172CMO	SCALE <b>1:12</b>	DOCUMENT NO. <b>EQ-P0404-B</b>						
SIZE	Auth Group	INSL	MODEL					
C		VERSION	STATUS	REVISION	VERSION	STATUS	REVISION	SHEET
		01	RE	B	01	RE	B	1 OF 1