

4

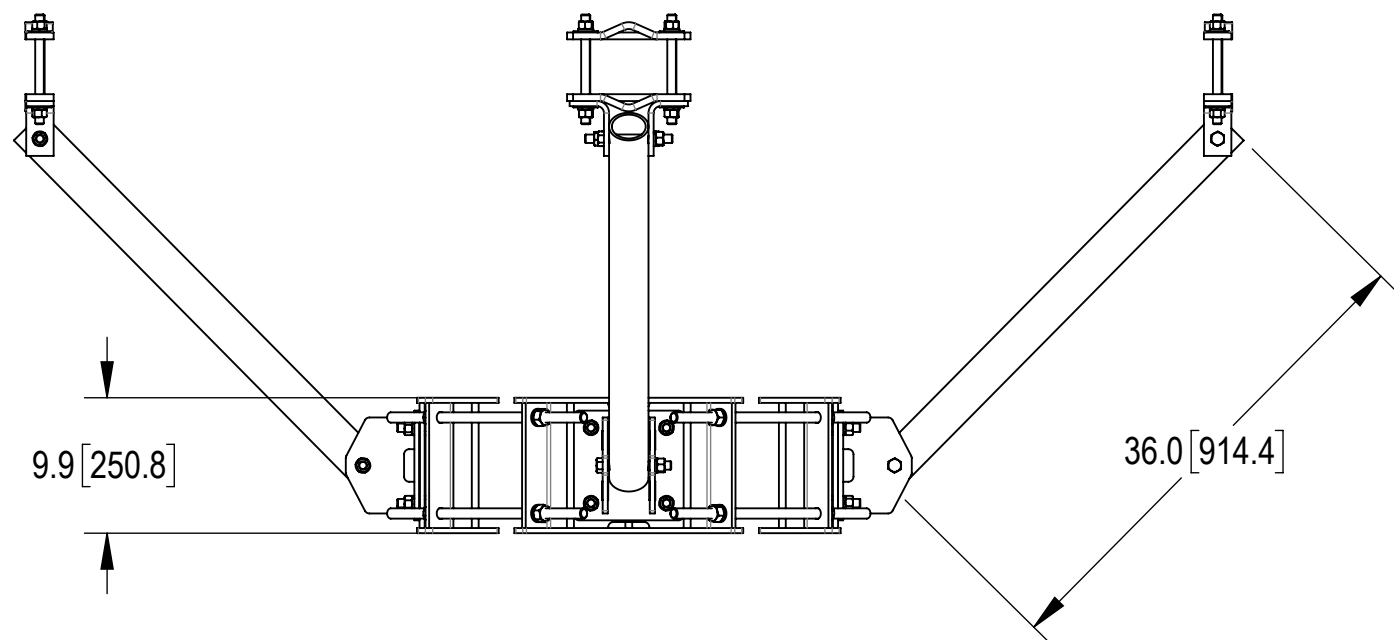
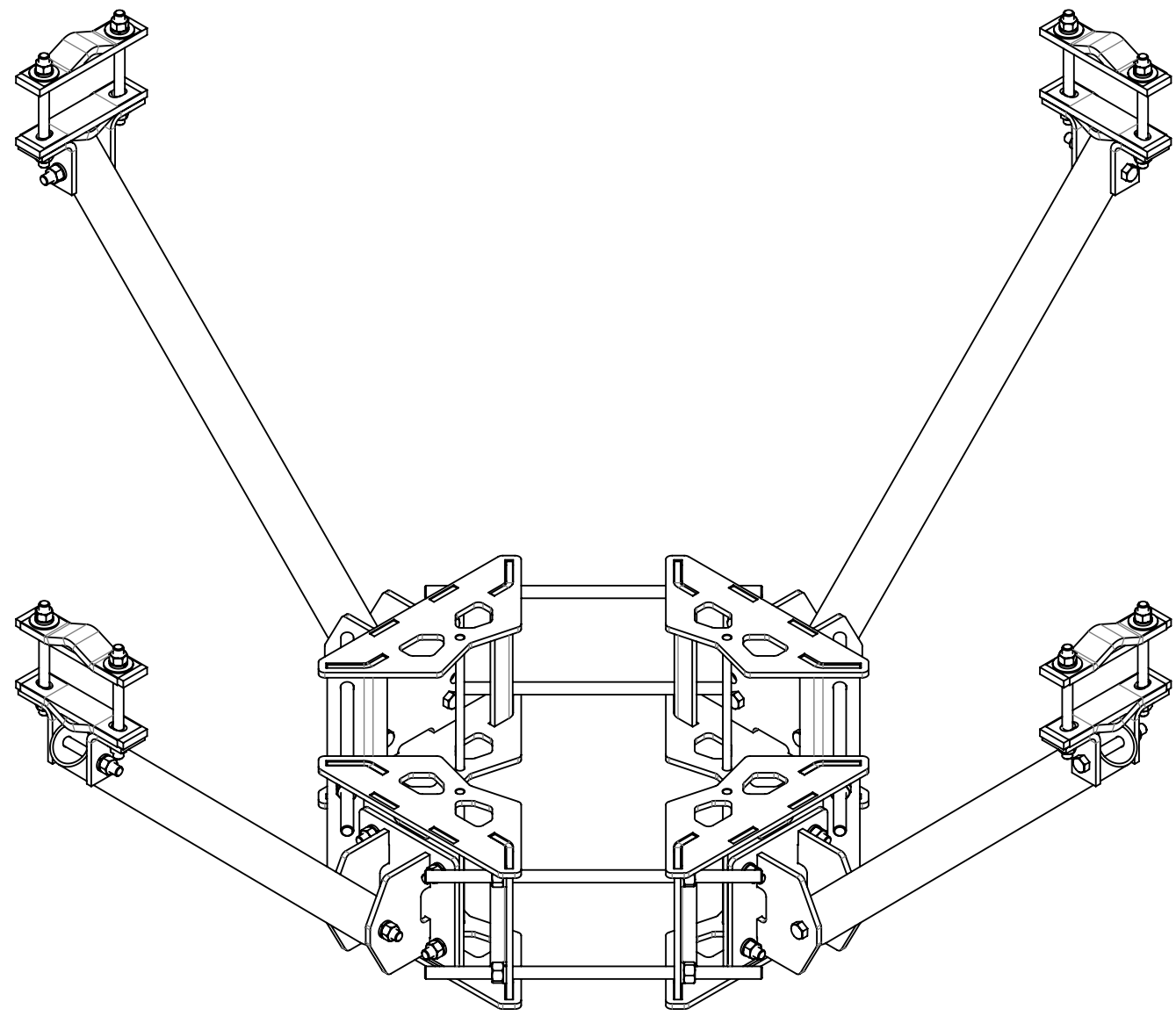
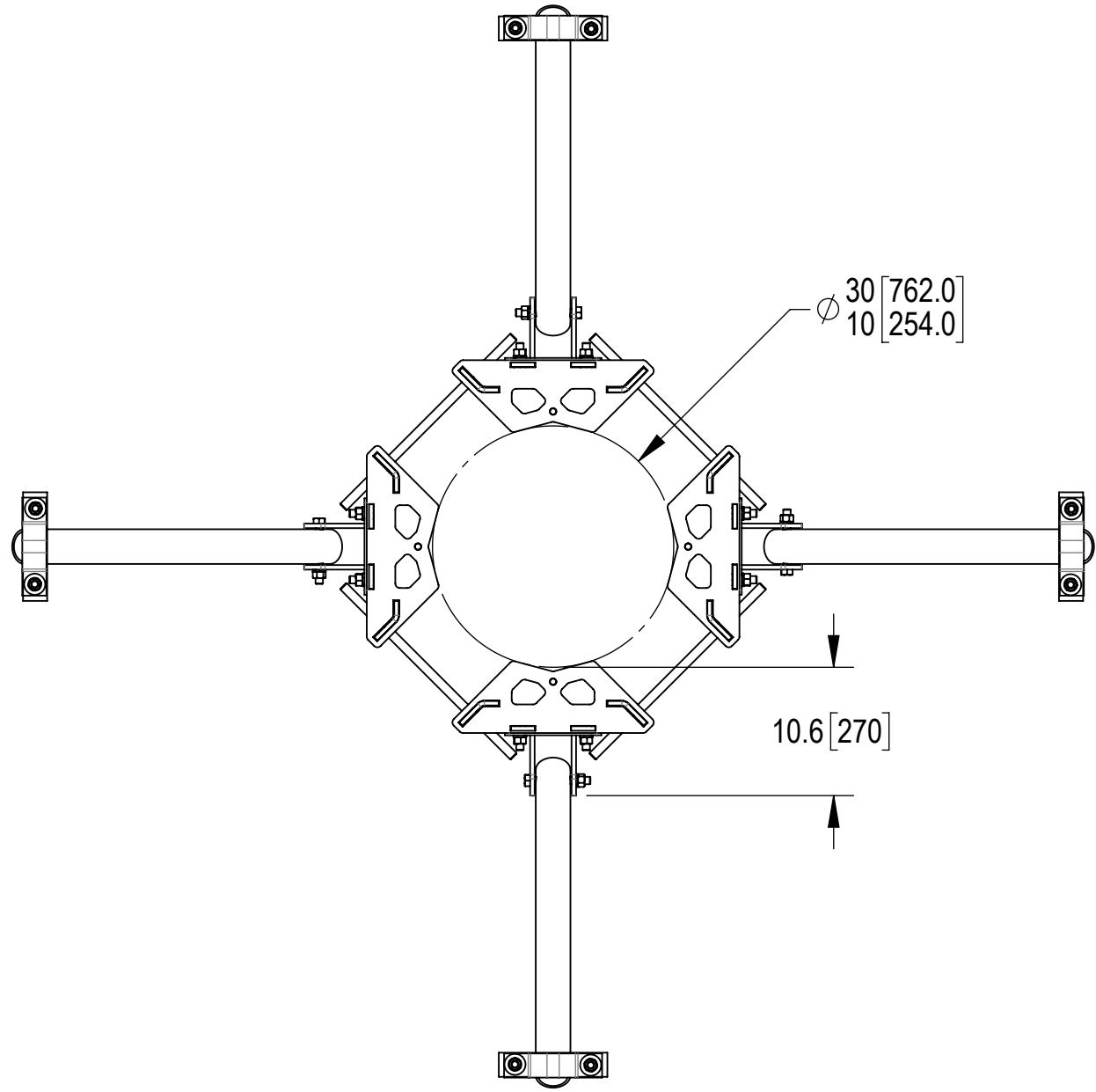
3

2

1

- 1.0 GENERAL NOTES
 1.1 ALL METRIC DIMENSIONS ARE IN BRACKETS [X. X]
 1.2 FOR PATENT INFO: <https://www.cs-pat.com>
 2.0 DESIGN NOTES
 2.1 ANY HAZARDS OR OBSTRUCTIONS TO THE CLIMBING FACILITY AND SAFETY CLIMB MUST BE IDENTIFIED PRIOR TO INSTALLING THE APPURTENANCE. ADDITIONAL PRODUCTS MAY BE REQUIRED TO MAINTAIN THE INTEGRITY OF THE SAFETY CLIMB. DURING INSTALLATION, TEMPORARY AND/OR PERMANENT PRECAUTIONARY MEASURES SHOULD BE TAKEN TO PRESERVE THE CLIMBING FACILITY AND/OR SAFETY CLIMB.
 2.2 FITS MONOPOLES 10"- 30" OD.
 3.0 MANUFACTURING/SPECIAL REQUIREMENTS
 3.1 TIGHTEN ALL BOLTS SECURING FLAT PLATES BY THE TURN-OF-NUT METHOD. TIGHTEN ALL U-BOLTS USING TURN-OF-NUT METHOD WITH ATTENTION TO LEAVE EQUAL DISTANCE AND EQUAL FORCE ON EACH LEG OF THE U-BOLT.
 4.0 TEST
 5.0 PACKAGING
 5.1 PACKAGING SHALL MEET COMMSCOPE REQUIREMENTS PER DOCUMENT IS-PL-3005
 5.2 PRINTED DOCUMENT TO BE PLACED INSIDE POLYBAG AND THEN IN SHIPPING CONTAINER
 5.3 EXTRA HARDWARE MAY BE SUPPLIED, BAGGED AND SHIPPED

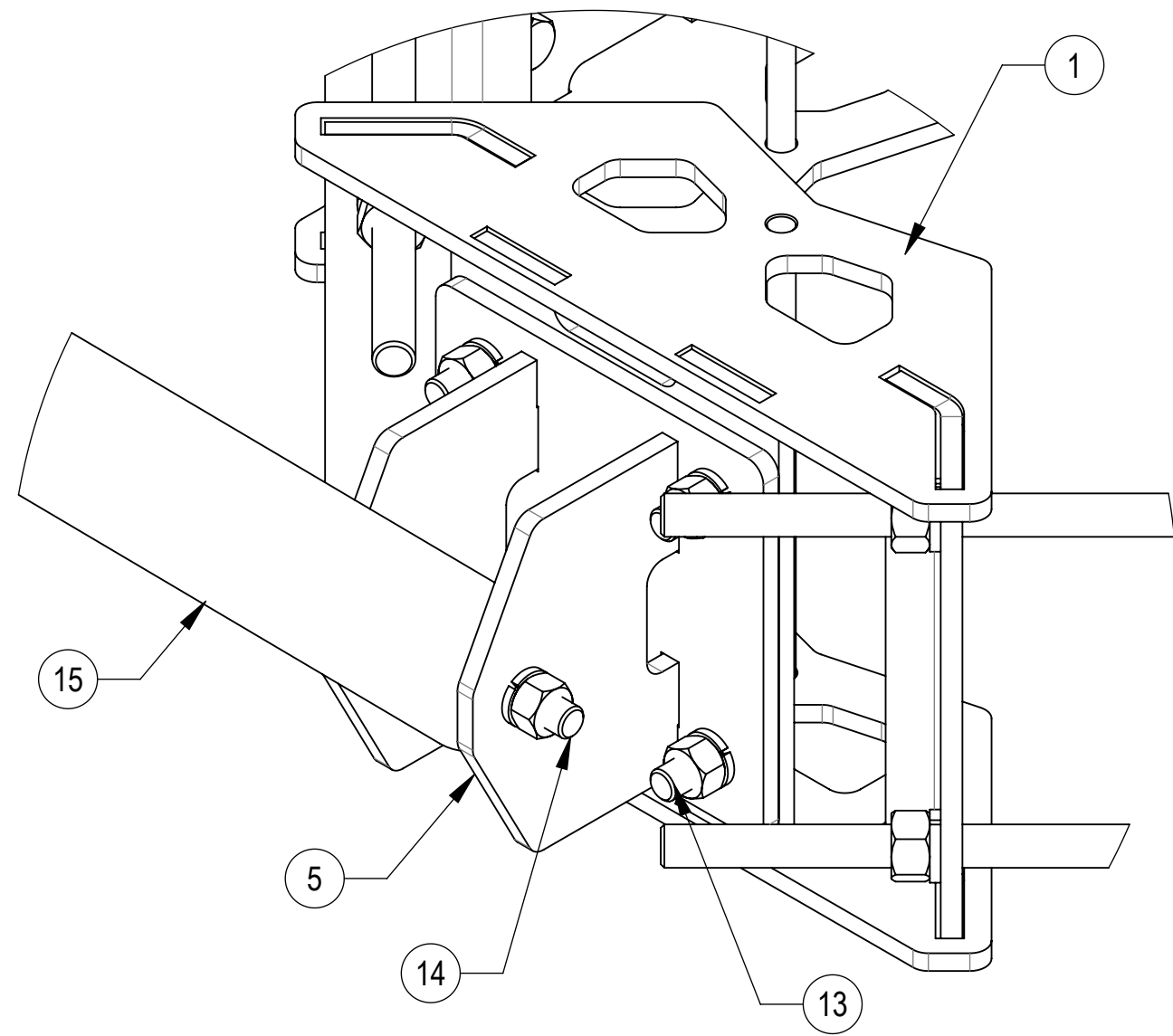
REVISIONS			
REV.	DESCRIPTION	DATE	APPROVED
C	CREATED INDIVIDUAL DRAWING	RY1002 08MAR24	BCROSS 40190869CMO



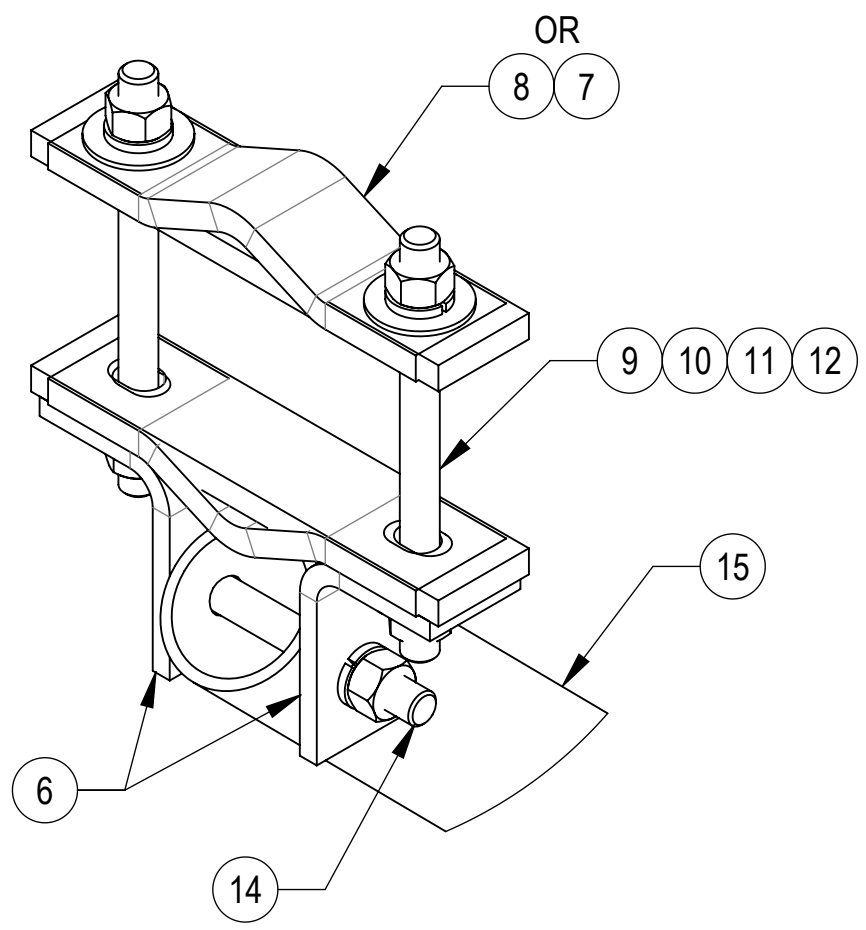
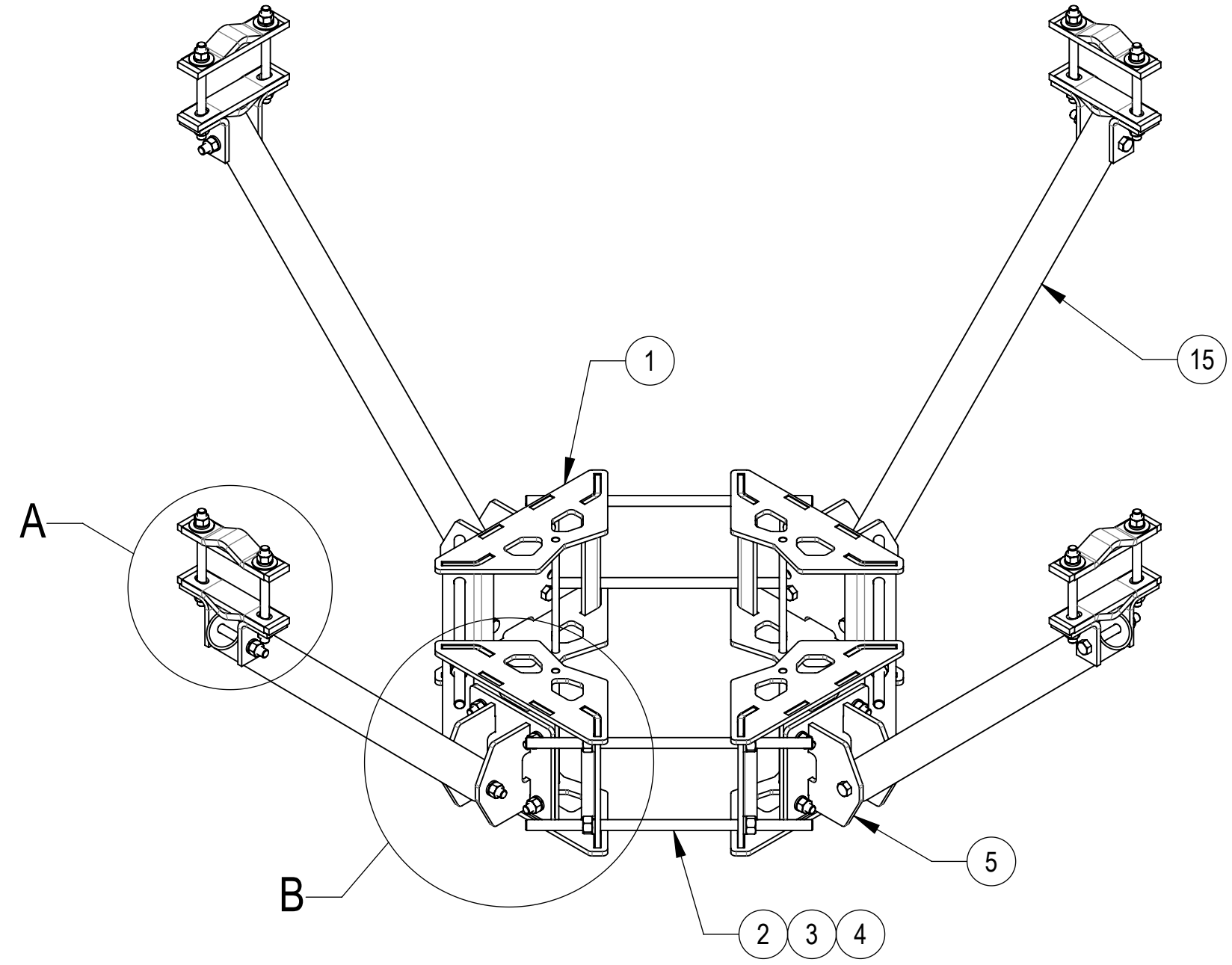
COMMSCOPE, INC. OF NORTH CAROLINA

TOLERANCES		SAP MATERIAL MASTER							
1 PLACE .X[X] ± 0.12[3.0]	3 PLACE .XXX[X] ± 0.030[0.8]	RK-36-4S							
2 PLACE .XX[X] ± 0.06[1.5]	ANGLES ± 2°								
FINISH		MATERIAL							
UNLESS OTHERWISE SPECIFIED DIMENSIONS ARE IN INCHES INTERPRET PER ANSI Y 14.5M-1994		TITLE							
CE	RY1002	08MAR24	REINFORCEMENT KIT, 4-SECTOR, 36" ARM						
RW	YMENG	03/15/2024							
AD	JL1183	03/15/2024							
RE	YMENG	03/15/2024							
ECN	40190869CMO								
SCALE	DOCUMENT NO.								
1:14	RK-36-4S								
SIZE	Auth Group	INSL	MODEL						
C			VERSION	STATUS	REVISION	VERSION	STATUS	REVISION	SHEET
			01	RE	A	00	RE	C	1 OF 2

DENSITY		lbs/in ³
MASS	447.59	lbs
VOLUME	1588.37	in ³
SURFACE AREA	10124.66	in ²
HEIGHT	38"	
LENGTH	90"	
WIDTH	90"	



DETAIL B
SCALE 1 : 3



DETAIL A
SCALE 1 : 3

COMPONENT PART NUMBERS PROVIDED FOR ASSEMBLY PURPOSES;
INDIVIDUAL COMPONENTS MAY BE SHIPPED AS PARTS WITHIN AN INCLUDED KIT.

ITEM	PART NO.	DESCRIPTION	QTY.	WEIGHT	NOTE NO.
1	RK1030401	RK 10-30 RM, 4 SECTOR WELDMENT	4	27.70 LBS	
2	MT38420	3/4" X 20" GALV THREADED ROD	8	2.49 LBS	
3	GWL-06	3/4" GALV LOCK WASHER	16	0.04 LBS	
4	GN-06	3/4" GALV HEX NUT	16	0.15 LBS	
5	RK01	KICKER STANDOFF WELDMENT	4	12.54 LBS	
6	RK02	CONNECTION BRACKET	8	1.21 LBS	
7	MTC323704	CLAMP BAR	8	2.37 LBS	
8	DCP10	CLAMP HALF:1/2", 11/16" HOLE,5-3/4"	8	2.21 LBS	
9	MT-381-8	5/8" X 8" GALV THREADED ROD	8	0.69 LBS	
10	GWF-05	5/8" GALV FLAT WASHER, 1.7OD	16	0.06 LBS	
11	GWL-05	5/8" GALV LOCK WASHER	16	0.03 LBS	
12	GN-05	5/8" GALV HEX NUT	16	0.08 LBS	
13	GB-0520A	5/8" X 2" GALV BOLT KIT (A325)	16	0.26 LBS	
14	GB-0550A	5/8" X 5" GALV BOLT KIT (A325)	8	0.52 LBS	
15	RK36	KICKER ARM SUPPORT TUBE , 36"	4	17.20 LBS	

COMMSCOPE, INC. OF NORTH CAROLINA				
TITLE REINFORCEMENT KIT, 4-SECTOR, 36" ARM				
SIZE C	SCALE 1:10	DOCUMENT NO. RK-36-4S		
DRAWING		VERSION	STATUS	REVISION
		00	RE	C
				SHEET 2 OF 2