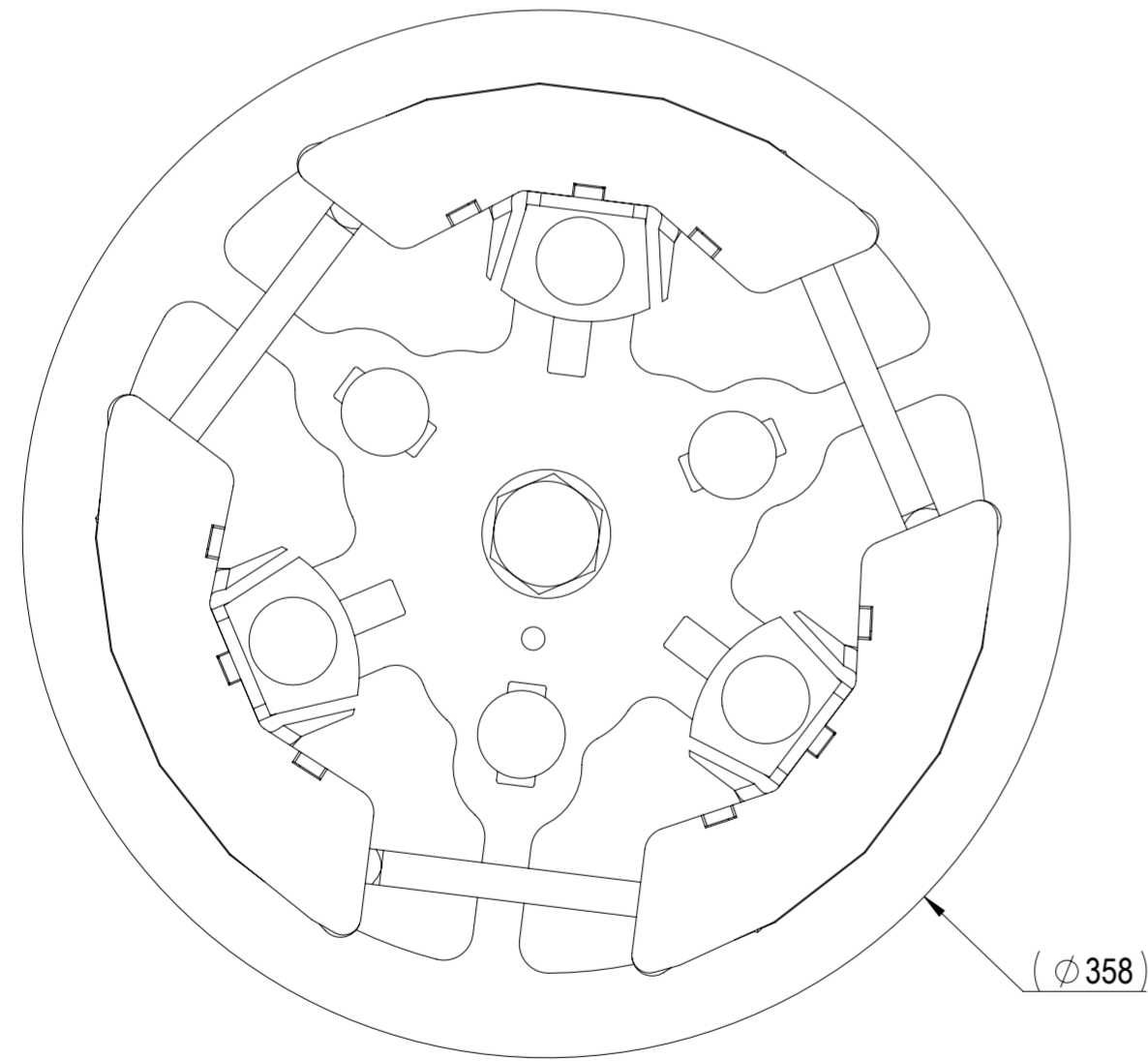
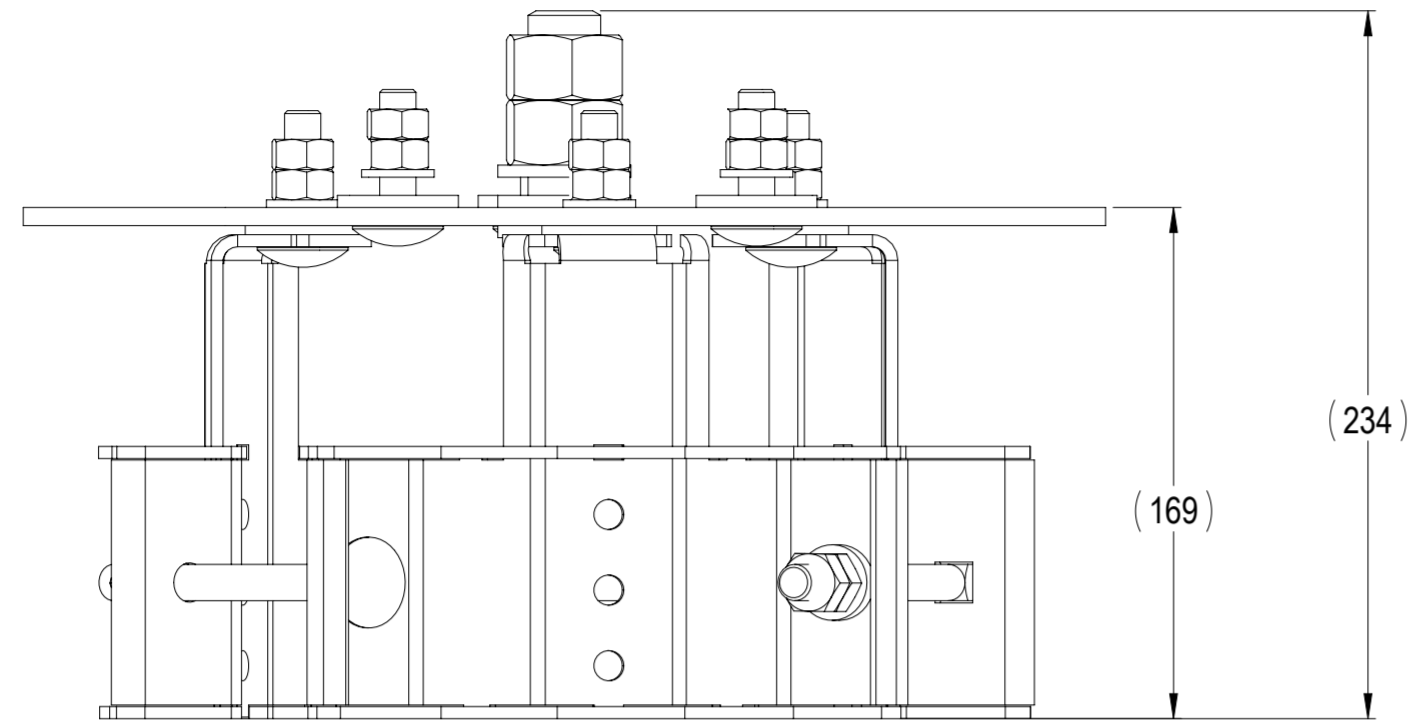
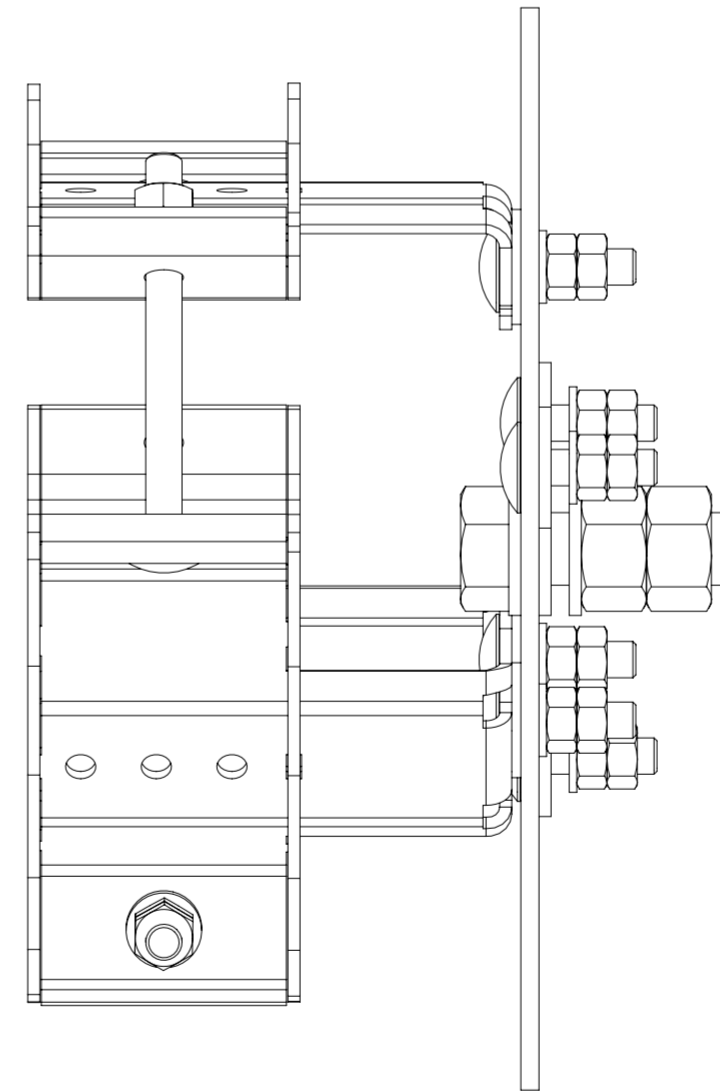


REVISIONS			
REV.	DESCRIPTION	DATE	APPROVED
A	ECR 40152236CMO: RELEASE TO PRODUCTION PER EAO 611174.	30NOV22 LY	FL / CHY
B	ECR 40152236CMO: UPDATE DRAWING.	19DEC22 LY	FL / CHY

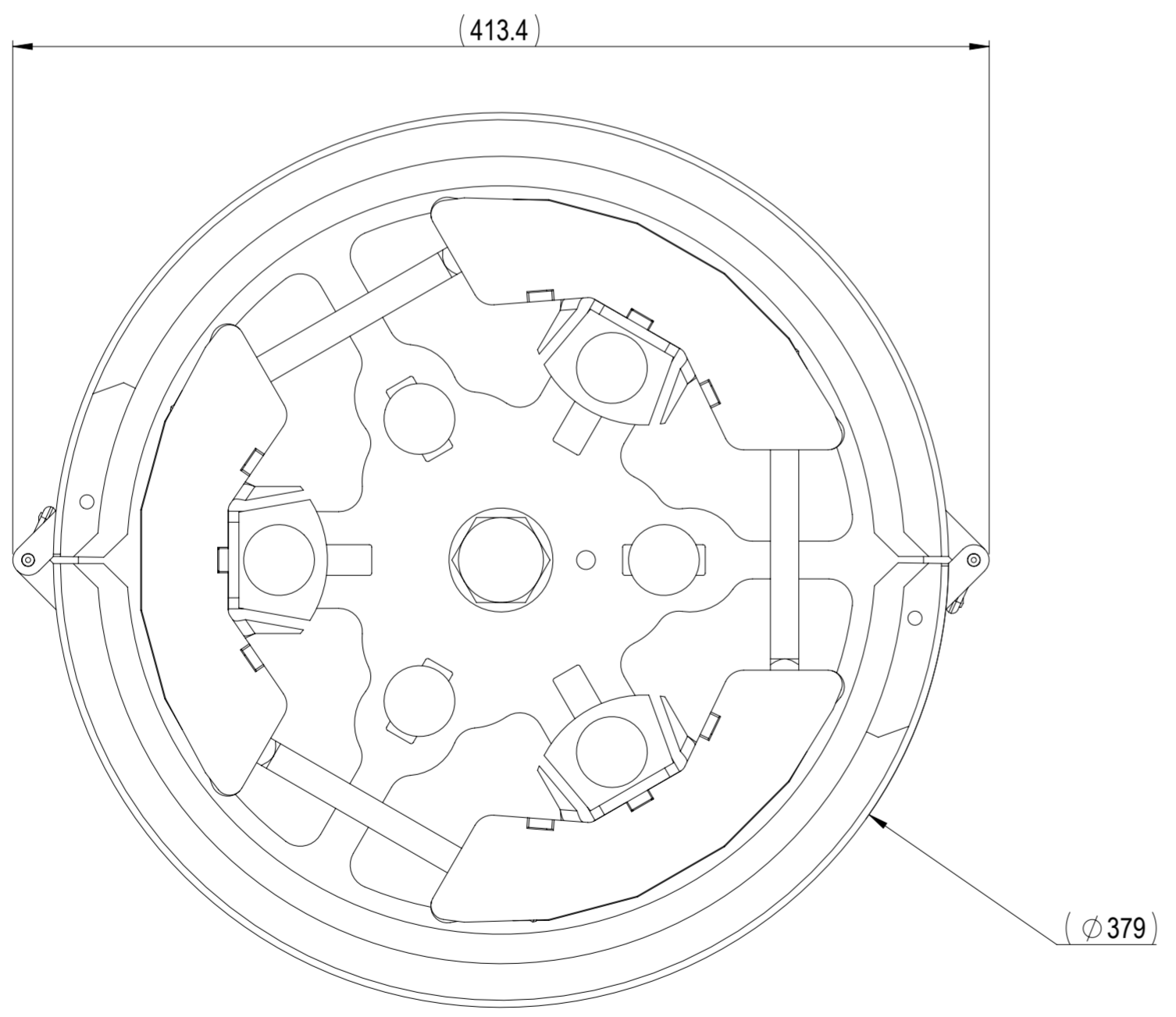
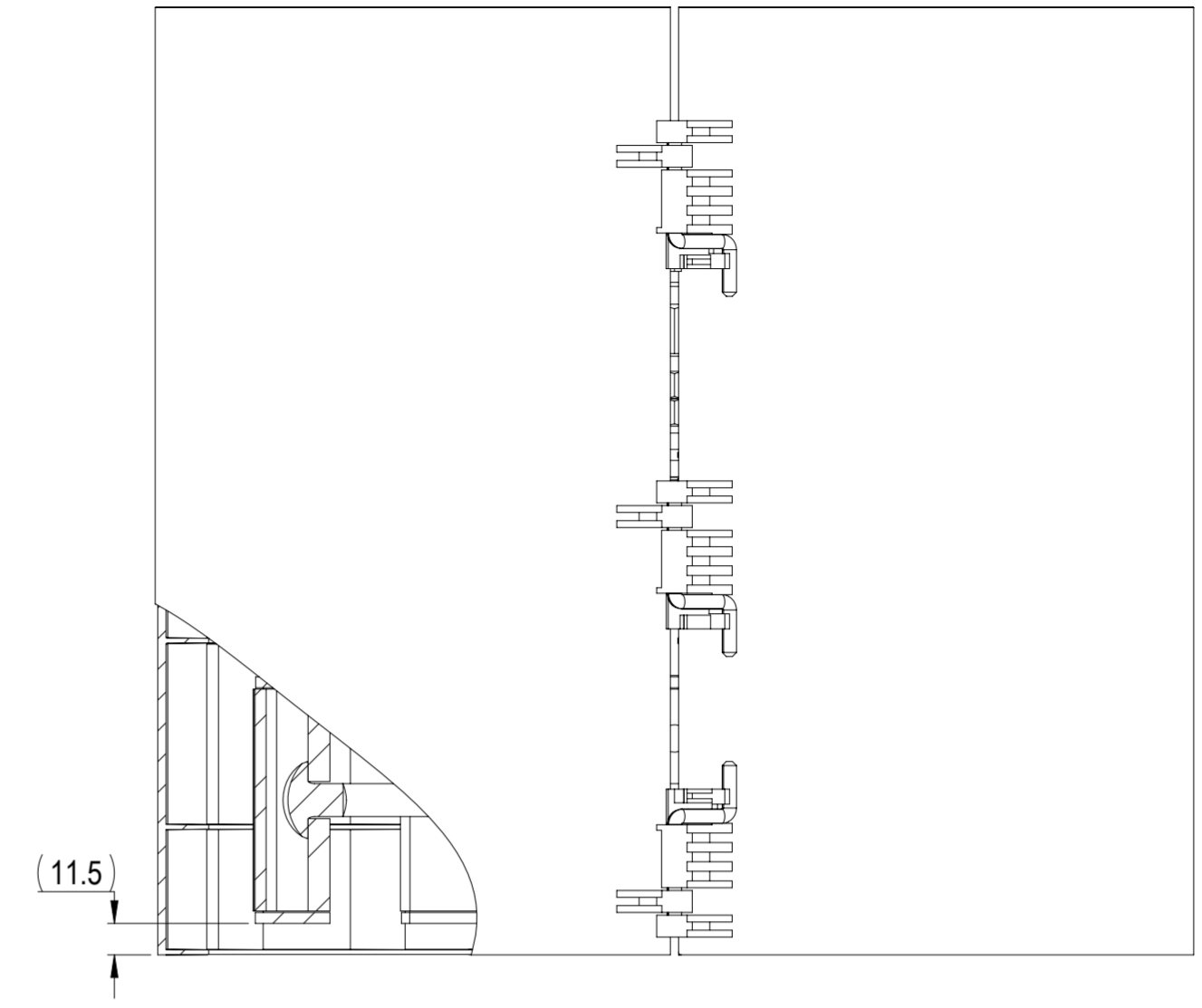
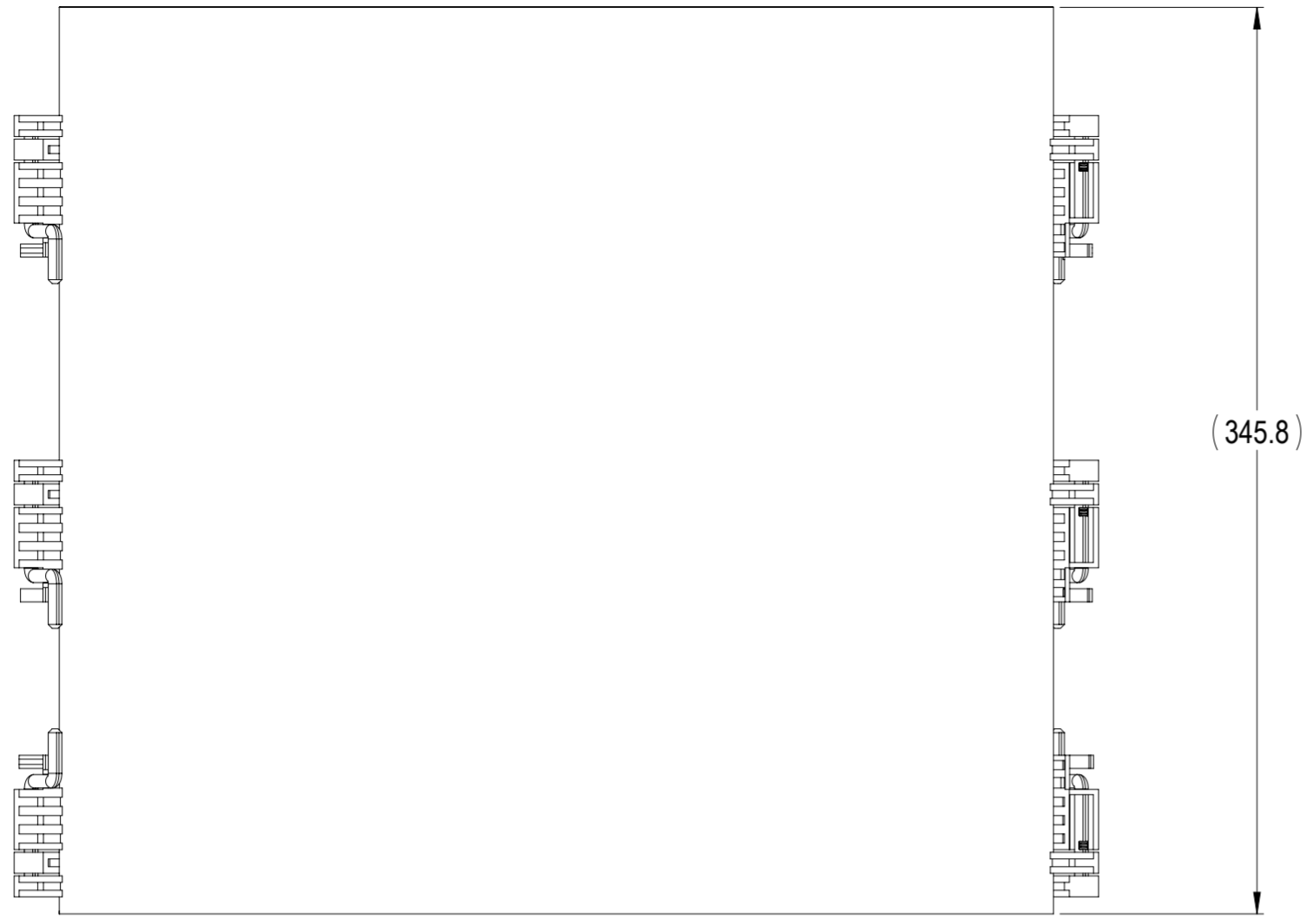


MC-MNT-TOP-370



COMMSCOPE, INC. OF NORTH CAROLINA											
TOLERANCES						SAP MATERIAL MASTER					
0 PLACE X ±			2 PLACE .XX ±			1 PLACE .X ±			ANGLES ±		
FINISH						MATERIAL					
PRODUCT DRAWING											
UNLESS OTHERWISE SPECIFIED DIMENSIONS ARE IN MILLIMETERS INTERPRET PER ISO STANDARDS HANDBOOK TECHNICAL DRAWINGS VOLUMES 1 & 2, THIRD EDITION (2002)		NAME		DATE		TITLE					
		CE	LY1028	10/26/2022		MC-MNT-TOP-370-L					
		RW	LY1028	12/19/2022							
		AD	ZL1059	12/23/2022		SCALE		DOCUMENT NO.			
		RE	QW1003	12/23/2022		2:5					
ECN 40152236CMO											
SIZE		Auth Group		BSA		MODEL		DRAWING		SHEET	
A2						VERSION		REVISION		REVISION	
						01		RE		B	
						01		RE		B	
										1 OF 2	

DENSITY	g/mm ³
MASS	grams
VOLUME	mm ³
SURFACE AREA	mm ²
HEIGHT	
LENGTH	
WIDTH	



MC-MNT-TOP-370
WITH SHROUD COVER

COMMSCOPE, INC. OF NORTH CAROLINA				
TITLE PRODUCT DRAWING				
SIZE A2	SCALE 2:5	DOCUMENT NO. MC-MNT-TOP-370-L		
DRAWING				SHEET
VERSION 01	STATUS RE	REVISION B	2 OF 2	