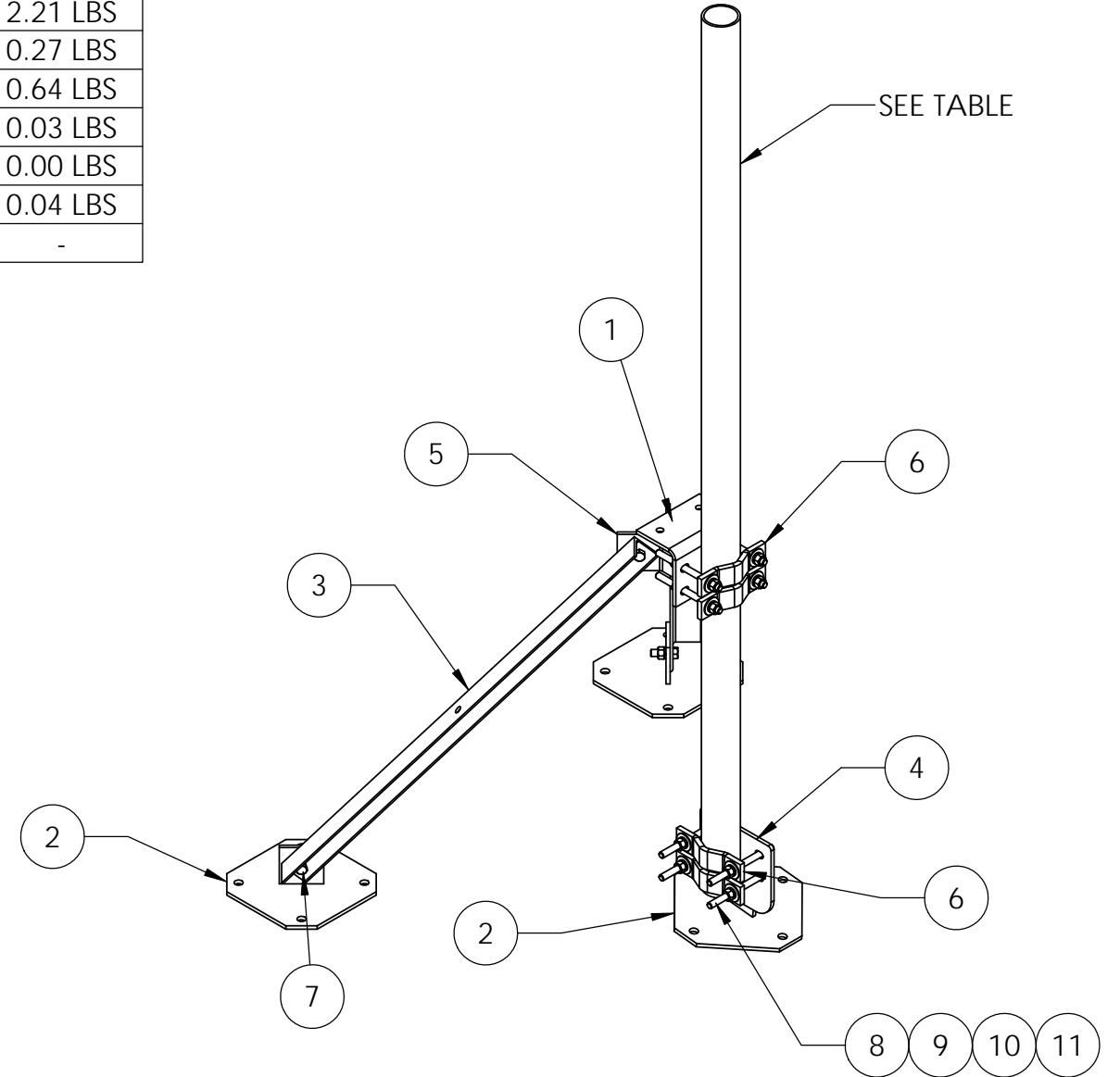
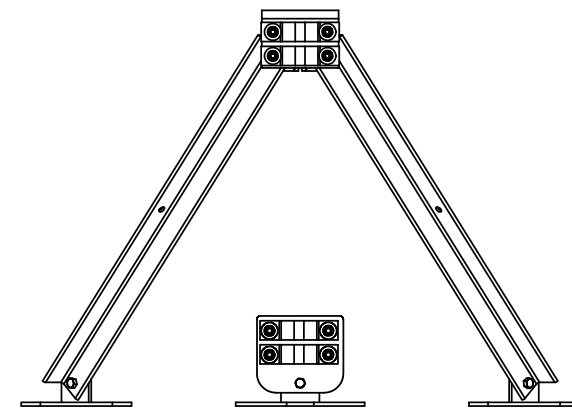
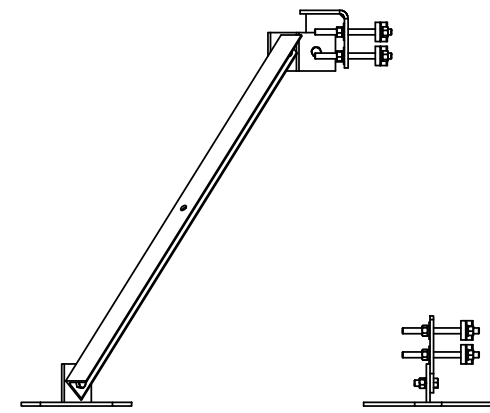
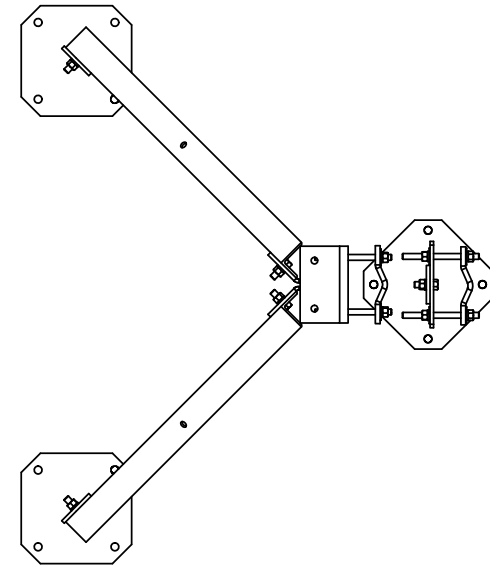



ITEM	PART NO.	DESCRIPTION	QTY.	WEIGHT
1	WTRTA35	Welded Bracket WTRTA	1	10.47 LBS
2	WTRTA.20	REAR FOOT	3	14.56 LBS
3	WTRTA.25	KICKER ANGLE	2	19.18 LBS
4	WTTMA11	PIVOT PLATE	1	7.13 LBS
5	WTTMA.03	TRIPOD ANGLE PLATE	2	3.32 LBS
6	DCP10	SMALL CLAMP HALF	4	2.21 LBS
7	GB-05205	5/8" X 2" GALV BOLT KIT	6	0.27 LBS
8	MT-381-8	5/8" X 8" GALV THREADED ROD	8	0.64 LBS
9	GWF-05	5/8" GALV FLAT WASHER	16	0.03 LBS
10	GWL-05	5/8" GALV LOCK WASHER	16	0.00 LBS
11	GN-05	5/8" GALV HEX NUT	16	0.04 LBS
12	MTxxxxx	GALV PIPE (SEE TABLE)	1	-

REVISIONS				
REV.	ZONE	DESCRIPTION	BY	DATE
A		INITIAL RELEASE	MSM	07/22/09
B		UPDATE TABLE PART NUMBERS	MSM	12/20/10
C		UPDATE PIPE CONNECTION, CHANGE BOM HDWR	MSM	01/31/13



PART NO.	DESCRIPTION	MT-651-96	MT54796	MT-654-96	WEIGHT
WT-TMA-B	Water Tower Roof-Top Tripod Mount Base Kit	-	-	-	126.60 LBS
WT-TMA35-96	Water Tower Roof-Top Tripod Mount 3.5" OD	-	1	-	187.43 LBS
WT-TMA45-96	Water Tower Roof-Top Tripod Mount 4.5" OD	-	-	1	213.24 LBS

NOTES:
1. ALL METRIC DIMENSIONS ARE IN BRACKETS.

<small>These drawings and specifications are the proprietary property of ANDREW CORPORATION and may be used only for the specific purpose authorized in writing by Andrew Corporation.</small> ALL DIMENSIONS ARE IN INCHES U.O.S. TOLERANCES UNLESS OTHERWISE SPECIFIED: .X = ± .12 ANGLES ±2° .XX = ± .06 FRACTIONS ±1/32 .XXX = ± .03 REMOVE BURRS AND BREAK EDGES .005 DO NOT SCALE THIS PRINT	DRAWN BY: MSM	SHEET: 1 of 1	PART NUMBER: WT-TMA-B
	CHECKED BY: TP	SCALE: NTS	DESCRIPTION: Water Tower Roof-Top Tripod Mount Base Kit
	DATE: 07/22/09	MATERIAL: A36, A53	DRAWING TYPE: ASSEMBLY DRAWING
	REVISION: C	FINISH: GALV A123	 WESTCHESTER, IL. 60154 U.S.A.
		WEIGHT: SEE TABLE	