

4

3

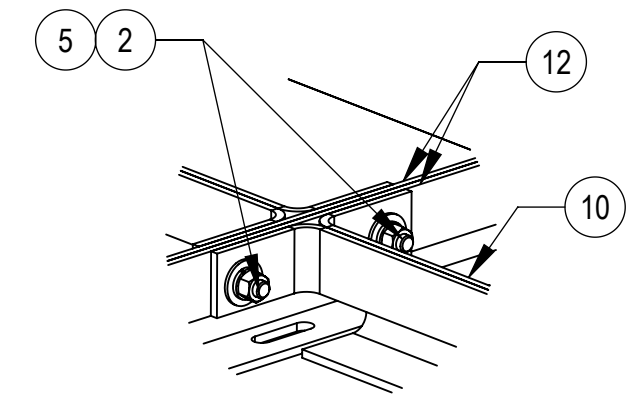
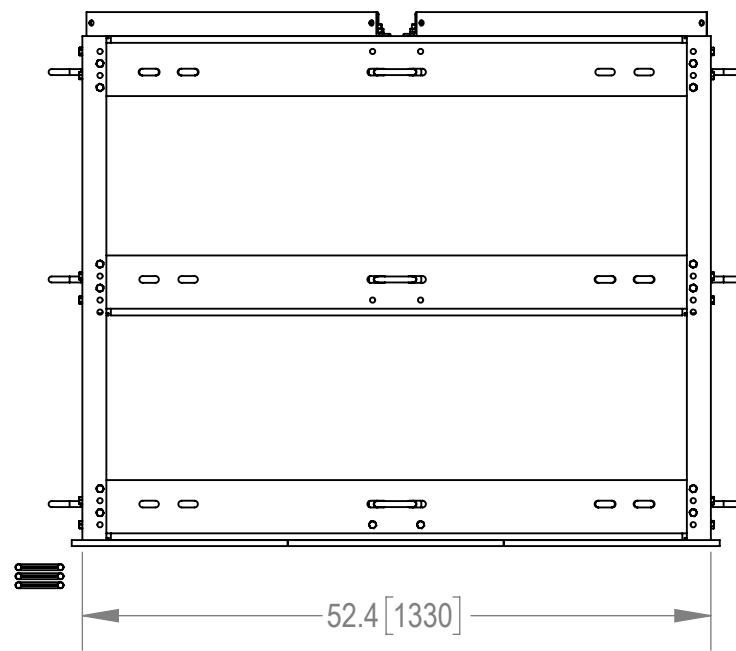
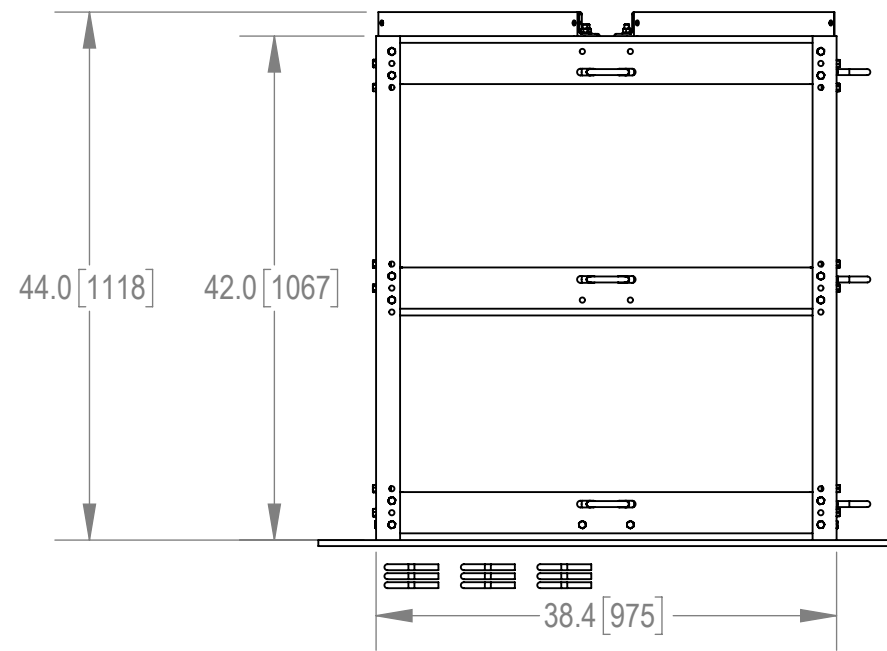
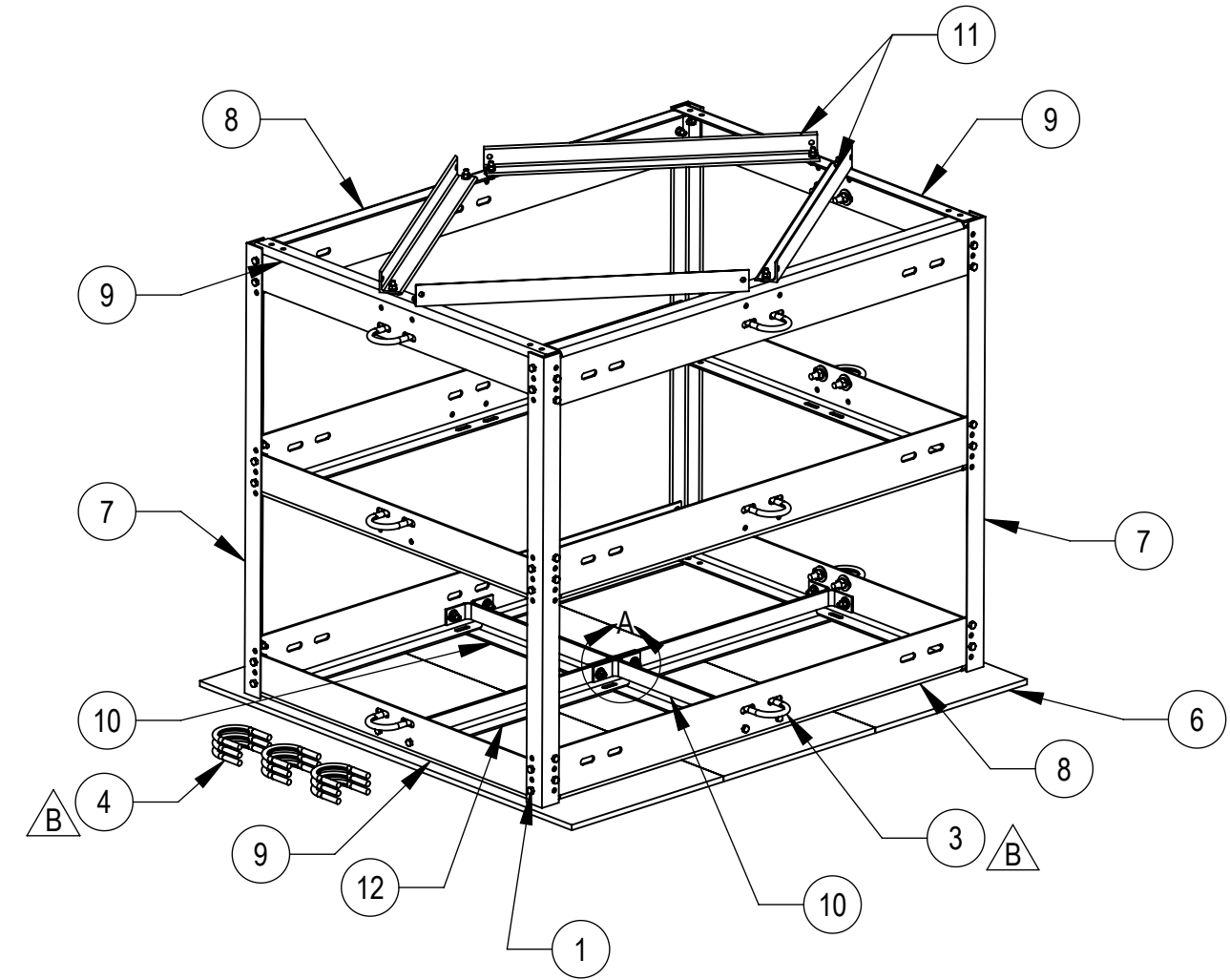
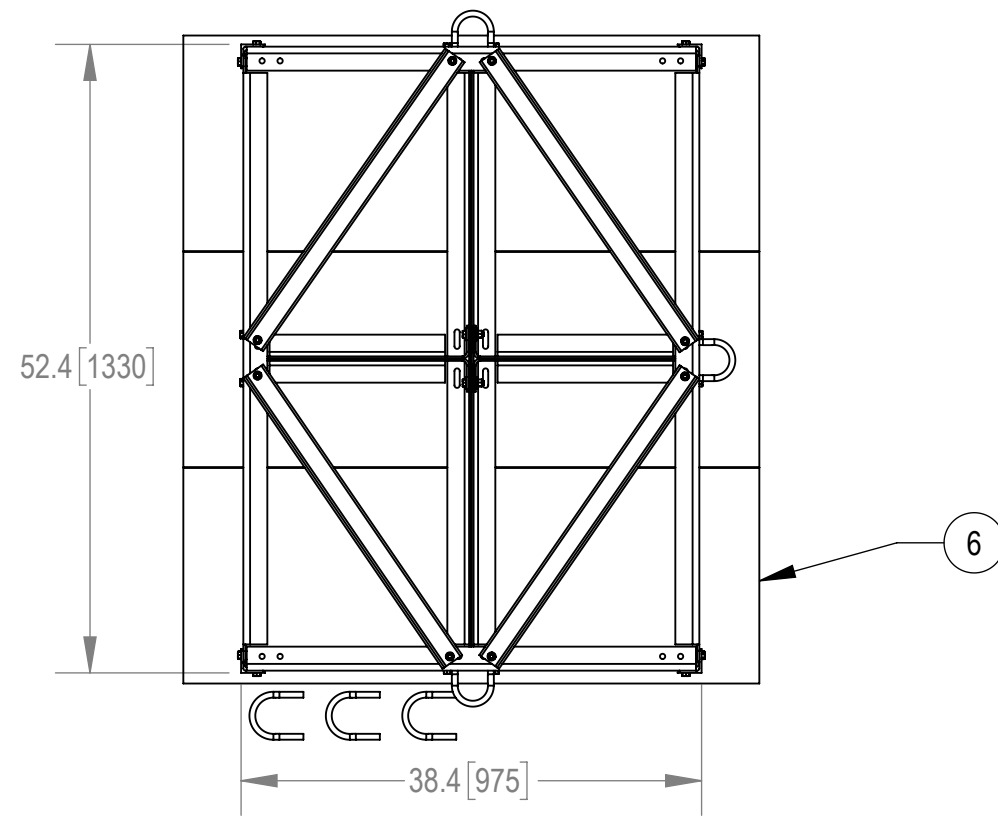
2

1

NOTES:

- 1.0 GENERAL
 - 1.1 ALL METRIC DIMENSIONS ARE IN BRACKETS
 - 1.2 FOR PATENTS, SEE WWW.CS-PAT.COM
- 2.0 DESIGN NOTES
- 3.0 MANUFACTURING/SPECIAL REQUIREMENTS
- 4.0 TEST
- 5.0 PACKAGING

REVISIONS				
REV.	ECN	DESCRIPTION	BY	DATE
A	8000040525	INITIAL RELEASE	MRC	10/23/20
B	8000044742	UPDATE 3/8 U-BOLT TO 1/2" U-BOLT & ADDED RUBBER MAT	MRC	01/12/21



DETAIL A
SCALE 1 : 4

ITEM NO.	PART NUMBER	DESCRIPTION	QTY.	NOTE
1	GB-03125	3/8" X 1-1/4" GALV BOLT KIT	64	
2	GB-03145	3/8" X 1-1/2" GALV BOLT KIT	2	
3	GUB-4240	1/2" X 2-1/2" X 4" GALV U-BOLT	9	USE WITH 2-3/8" OD PIPE
4	GUB-4340	1/2" X 3" X 4" GALV U-BOLT	9	USED WITH 2-7/8" OD PIPE
5	GW-F-03	3/8" GALV FLAT WASHER	20	
6	MT-F1637	RUBBER MAT .5" X 18" X 48"	3	
7	RFPM-0112	ANGLE, CORNER	4	
8	RFPM-0118	LEG FORMED, 2" X 4" X 3/16"	6	
9	RFPM-0119	LEG FORMED, 2" X 4" X 35.438"	6	
10	RFPM-0120	BRACE FORMED, 2" X 2" X 17.625"	4	
11	RFPM-0125	BRACE ANGLE, 2" X 2" X 3/16" X 28.37" LG	4	
12	RFPM-0126	BRACE FORMED, 2" X 2" X 49.625"	2	

COMMSCOPE, INC. OF NORTH CAROLINA

TOLERANCES		SAP MATERIAL MASTER						
0 PLACE X ± .25	2 PLACE .XX ± 0.06	RT-CUBE-MBASE						
1 PLACE .X ± 0.12	ANGLES ± 2°							
FINISH GALV A123		MATERIAL A1011/A1015, A500						
UNLESS OTHERWISE SPECIFIED DIMENSIONS ARE IN INCHES INTERPRET PER ANSI Y 14.5M-1994	NAME	DATE	TITLE					
	CE MRC	10/23/20	ROOFTOP CUBE, MAST BASE KIT(NO PIPE)					
	RW MCT1107	01/12/2021						
	RV BCAMPBELLCON	01/14/2021						
RE LMCADOWEL	01/22/2021							
ECN 008000044742	SCALE	DOCUMENT NO.						
	1:16	RT-CUBE-MBASE						
SIZE	WORK AREA 24	MODEL						
C		VERSION	STATUS	REVISION	VERSION	STATUS	REVISION	SHEET
		01	RE	B	01	RE	B	1 OF 2

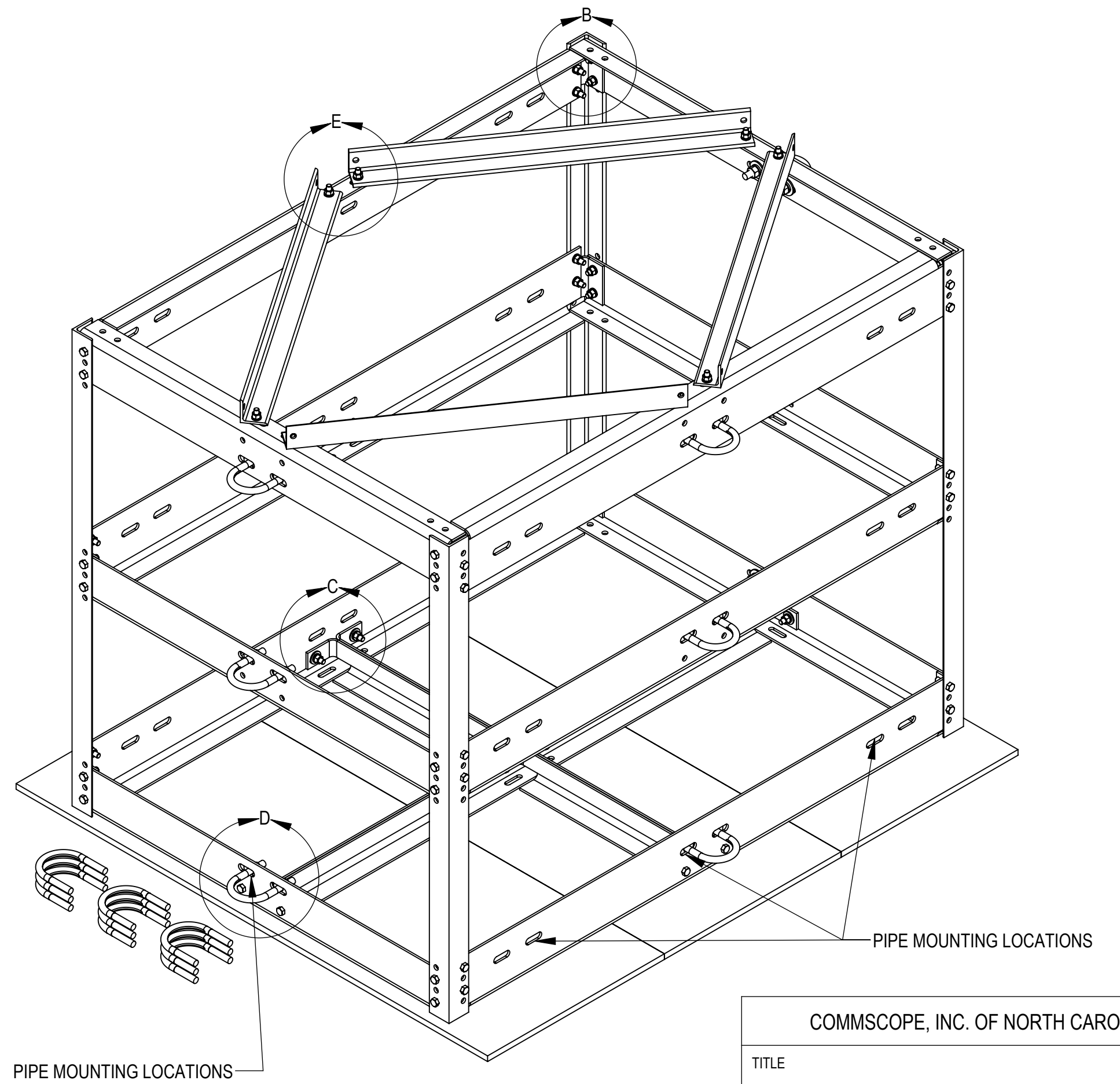
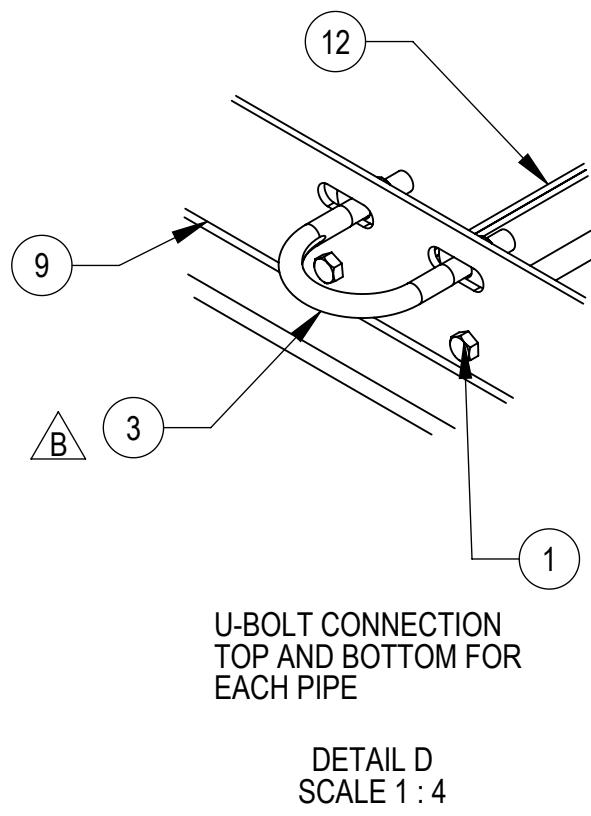
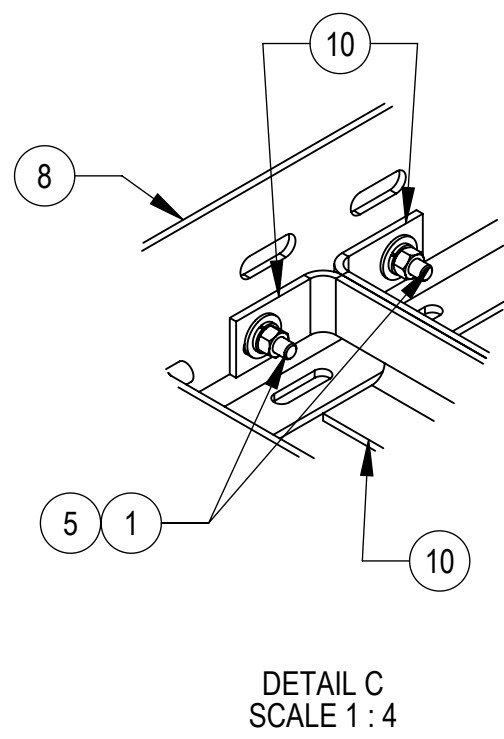
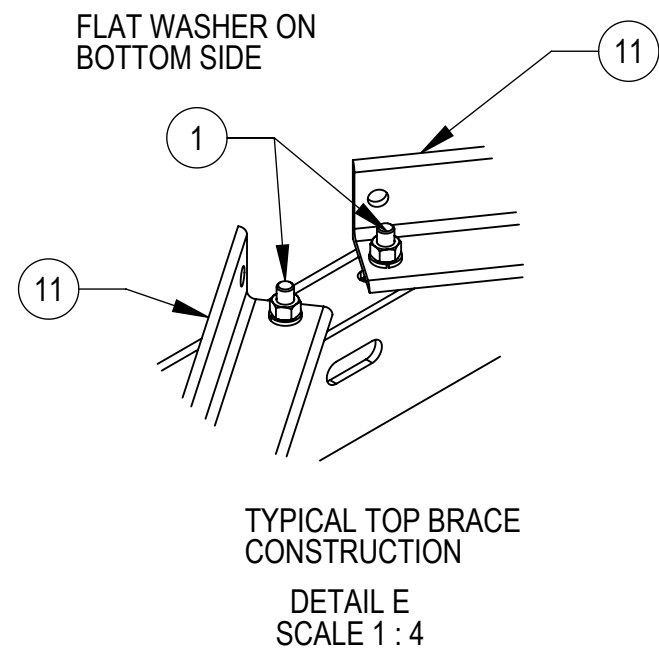
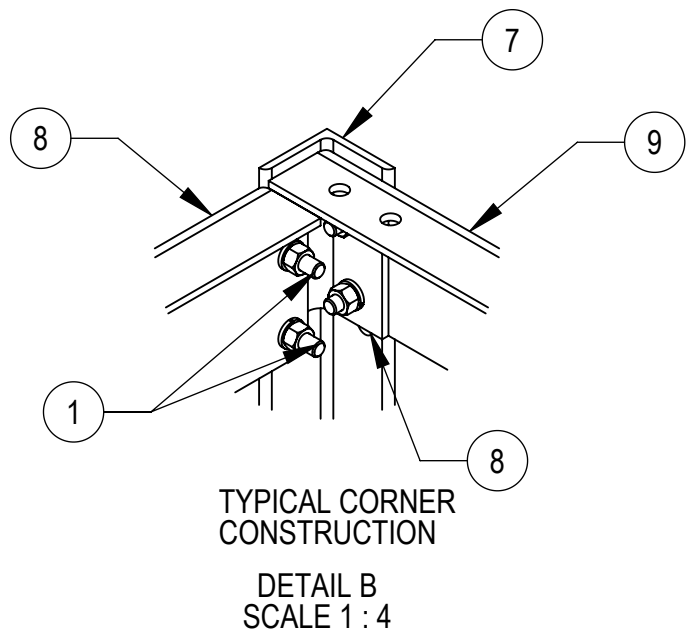
DENSITY		lbs/in ³
MASS	110.94	lbs
VOLUME	2280.82	in ³
SURFACE AREA	10548.28	in ²
HEIGHT		
LENGTH		
WIDTH		

4

3

2

1



COMMSCOPE, INC. OF NORTH CAROLINA				
TITLE ROOFTOP CUBE, MAST BASE KIT(NO PIPE)				
SIZE C	SCALE 1:8	DOCUMENT NO. RT-CUBE-MBASE		
		DRAWING		SHEET
		VERSION	STATUS	REVISION
		01	RE	B
				2 OF 2

© 2020 CommScope, Inc.

4

3

2

1