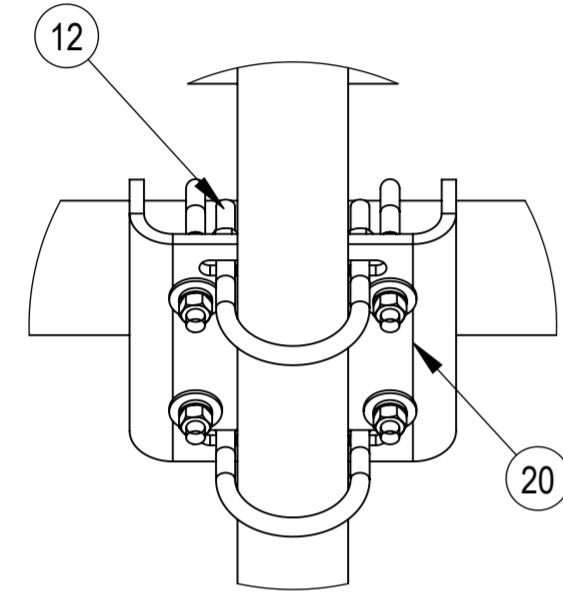
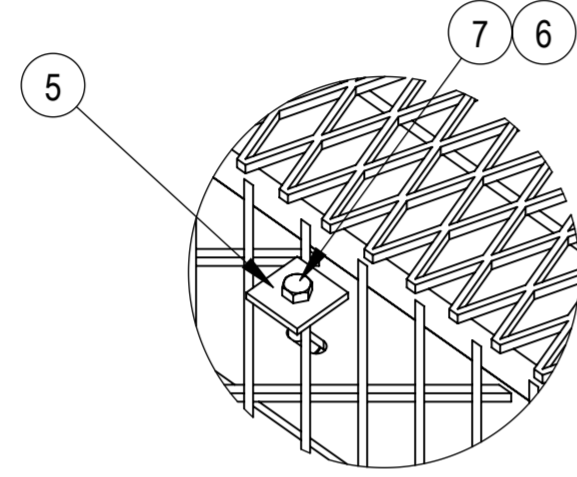


- 1.0 GENERAL NOTES  
 1.1 ALL IMPERIAL DIMENSIONS ARE IN BRACKETS [X.XX]  
 1.2 FOR PATENT INFO: <https://www.cs-pat.com>  
 2.0 DESIGN NOTES  
 3.0 MANUFACTURING/SPECIAL REQUIREMENTS  
 3.1 TIGHTEN ALL BOLTS SECURING FLAT PLATES BY THE TURN-OF-NUT METHOD. TIGHTEN ALL U-BOLTS USING TURN-OF-NUT METHOD WITH ATTENTION TO LEAVE EQUAL DISTANCE AND EQUAL FORCE ON EACH LEG OF THE U-BOLT .  
 4.0 TEST  
 5.0 PACKAGING  
 5.1 PACKAGING SHALL MEET COMMSCOPE REQUIRMENTS PER DOCUMENT IS-PL-3005  
 5.2 PRINTED DOCUMENT TO BE PLACED INSIDE POLYBAG AND THEN IN SHIPPING CONTAINER  
 5.3 EXTRA HARDWARE MAYBE SUPPLIED, BAGGED AND SHIPPED.

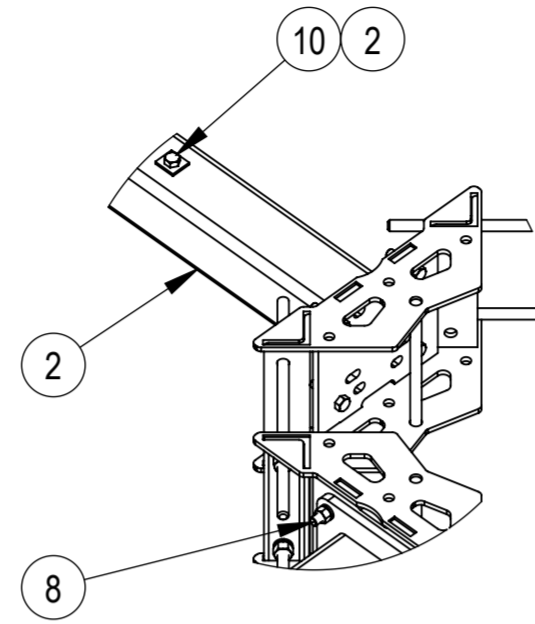
REVISIONS			
REV.	DESCRIPTION	DATE	APPROVED
A	INITIAL RELEASE	LS1146 03NOV22	XK1001 40156793CMO



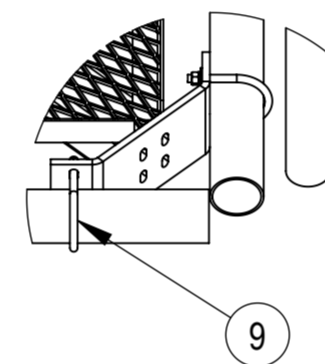
DETAIL A  
SCALE 1 : 5



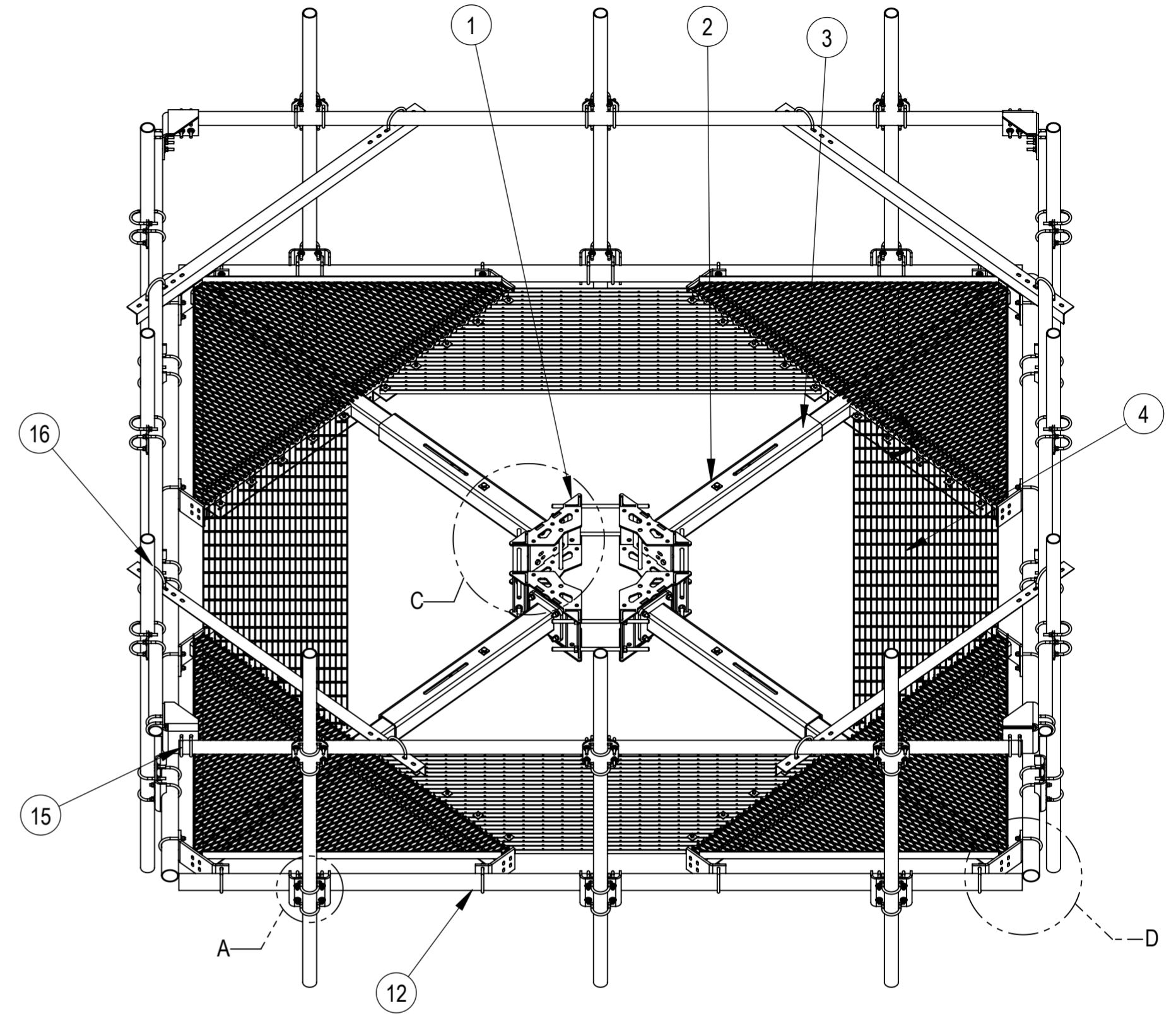
DETAIL B  
SCALE 1 : 4



DETAIL C  
SCALE 2 : 25



DETAIL D  
SCALE 2 : 25

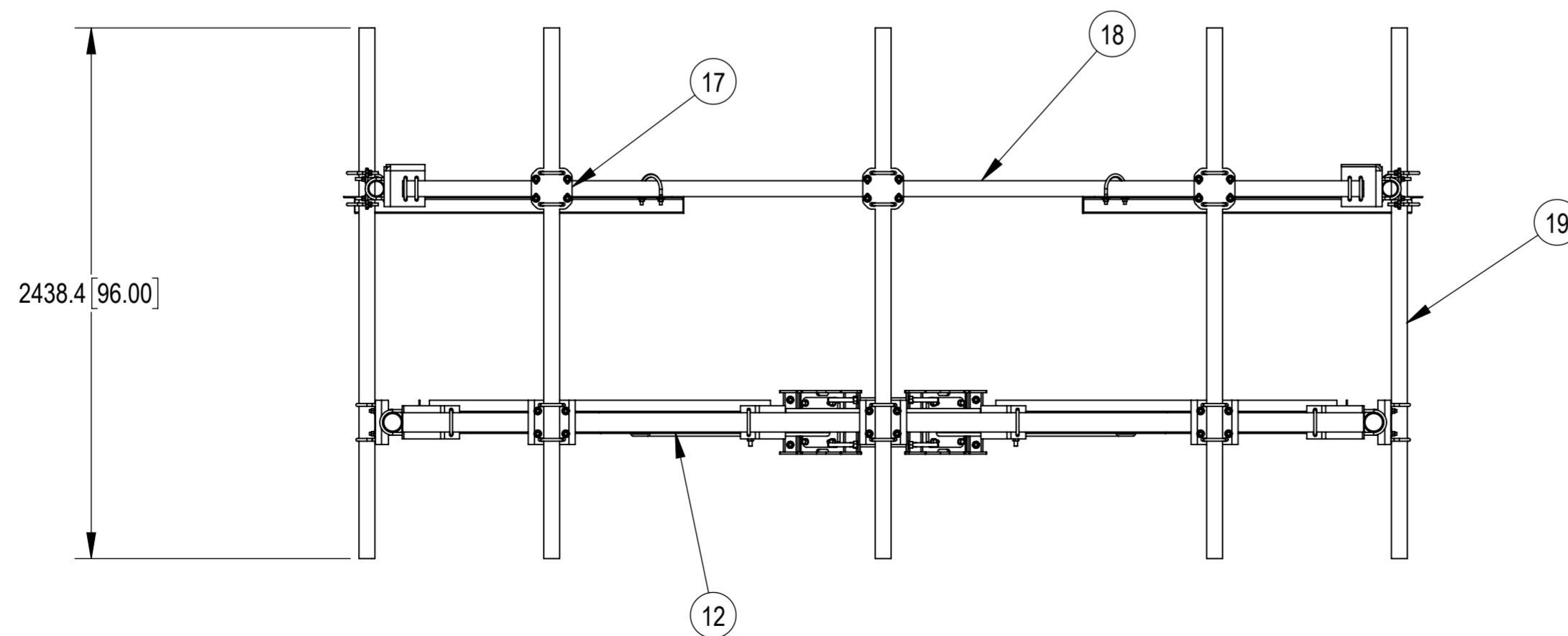
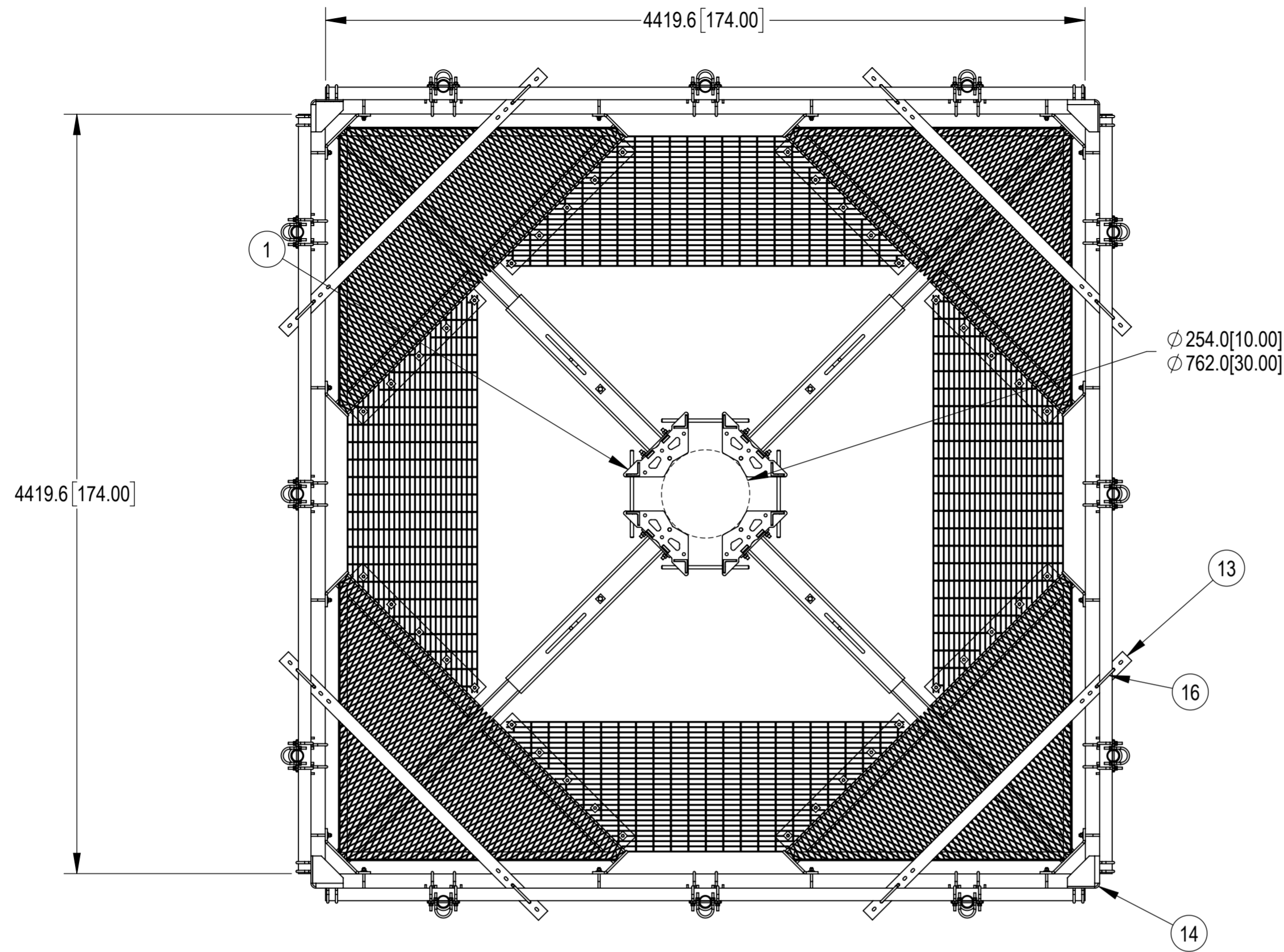


COMPONENT PART NUMBERS PROVIDED FOR ASSEMBLY PURPOSES;  
 INDIVIDUAL COMPONENTS MAY BE SHIPPED AS PARTS WITHIN AN INCLUDED KIT.

ITEM	PART NO.	DESCRIPTION	QTY.	WEIGHT	NOTE
1	MC-RM1030-4	FOUR SECTOR RING MOUNT, 10-30 OD	1	204.51 LBS	
2	MTC820202	SLIDER BASE	4	95.55LBS	
3	MTC820103	PLATFORM	4	298.14 LBS	
4	MTC820203	GRATING CORNER FILLER	4	97.22 LBS	
5	MT-387	SQUARE WASHER, 1-1/2" X 1-1/2" W/ 7/16" HOLE	40	49.25 LBS	
6	GW-03	3/8" GALV FLAT WASHER	40	0.01 LBS	
7	GB-03225	3/8" X 2-1/4" GALV BOLT KIT	40	0.09 LBS	
8	GB-0524A	5/8" X 2-1/2" GALV BOLT KIT (A325)	16	0.30 LBS	
9	GUB-4355	1/2" X 3-5/8" X 5" GALV U-BOLT KIT	16	324.63 LBS	
10	MT389	SQUARE WASHER, 1-1/2" X 1-5/8" W/ 11/16" HOLE	8	49.97 LBS	
10	GB-0570A	5/8" X 7" GALV BOLT KIT A325	4	0.69 LBS	
12	MT-547-174	3.5" O.D. X .165" WALL X 174" PIPE	4	85.52 LBS	
13	MTC343205-00	HANDRAIL SUPPORT ANGLE	4	25.59 LBS	
14	MTC343204-00	CORNER BRACKET	4	13.92 LBS	
15	GUB-4352	1/2" X 3" X 5-1/4" GALV U-BOLT	16	0.71 LBS	
16	GUB-4435	1/2" X 4-3/8" X 5" GALV U-BOLT KIT *	8	0.73 LBS	
17	XP-2525	CROSSOVER PLATE KIT, 2-7/8 OD X 2-7/8 OD	12	8.37 LBS	
18	MT546174120	2.88" OD X 174" LONG PIPE	4	51.38 LBS	
19	MT54696	PIPE, 2.875"OD X 96"	12	45.96 LBS	
20	MT-219M-H	3.5" OD X 2-7/8" OD CLAMP BRACKET ASSY	12	12.80 LBS	

**COMMSCOPE, INC. OF NORTH CAROLINA**

TOLERANCES		SAP MATERIAL MASTER	
0 PLACE	X[.X] ± 6[0.25]	2 PLACE	.XX[.XXX] ± 1.50[0.06]
1 PLACE	.X[.XX] ± 3.0[0.12]	ANGLES	± 2°
FINISH		MATERIAL	
		MCHD-PK14S4-12-96	
<small>UNLESS OTHERWISE SPECIFIED          DIMENSIONS ARE IN MILLIMETERS          INTERPRET PER ANSI Y 14.5M-1994</small>		NAME	DATE
		CE LS1146	11/03/2022
		RW LS1146	11/30/2022
		AD XK1001	11/30/2022
RE LS1146		11/30/2022	
ECN 40156793CMO		SCALE	DOCUMENT NO.
		1:25	MCHD-PK14S4-12-96
SIZE	Auth Group	INSL	MODEL
A2			VERSION
			STATUS
			REVISION
			VERSION
			STATUS
			REVISION
			DRAWING
			VERSION
			STATUS
			REVISION
			SHEET
			1 OF 2



COMMSCOPE, INC. OF NORTH CAROLINA					
TITLE MP,MC-PKHD, 30-60" DIA, 14FT, HR, 14AP					
SIZE <b>A2</b>	SCALE <b>1:25</b>	DOCUMENT NO. <b>MCHD-PK14S4-12-96</b>			
		DRAWING			SHEET
		VERSION	STATUS	REVISION	2 OF 2
		00	RE	A	

© 2022 CommScope, Inc. Confidential