

# WT-TMA-96

---



Water Tower Rooftop Tripod Mount, 2-3/8 in OD x 96 in plain end pipe included

**OBSOLETE**

## Product Classification

**Product Type** Water tower mount

## General Specifications

**Mounting** Weld-on feet

**Pipe, quantity** 1

**Sectors, quantity** 1

## Dimensions

**Height** 2,438.4 mm | 96 in

**Width** 1,219.2 mm | 48 in

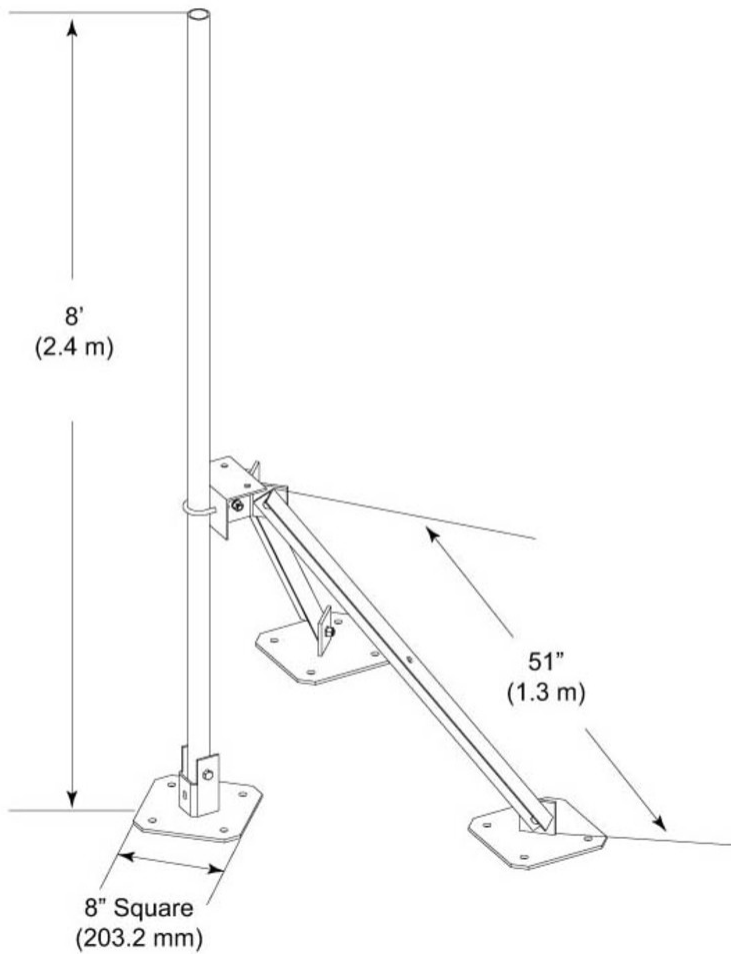
**Length** 1,219.2 mm | 48 in

**Pipe Length** 2,438.4 mm | 96 in

**Pipe Outer Diameter** 60.96 mm | 2.4 in

# WT-TMA-96

## Outline Drawing



## Material Specifications

**Material Type** Hot dip galvanized steel

## Packaging and Weights

**Included** Mount | Plain end pipes

**Packaging quantity** 1

**Weight, net** 65.816 kg | 145.1 lb

## Regulatory Compliance/Certifications

**Agency** **Classification**

# WT-TMA-96

---

ISO 9001:2015

Designed, manufactured and/or distributed under this quality management system

