

4

3

2

1

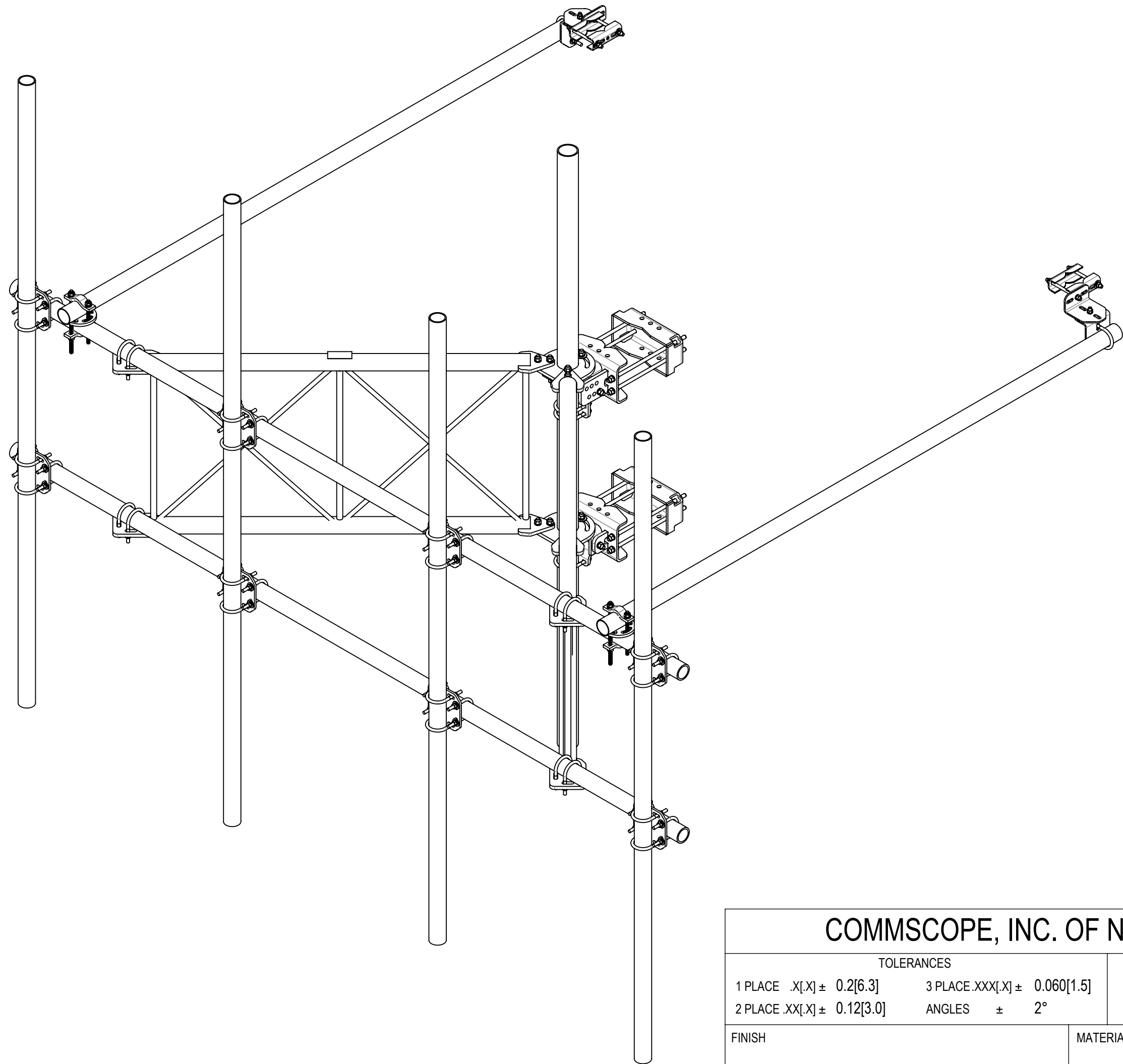
- 1.0 GENERAL NOTES
- 1.1 ALL METRIC DIMENSIONS ARE IN BRACKETS [X.X]
- 1.2 FOR PATENT INFO: <https://www.cs-pat.com>

- 2.0 DESIGN NOTES
- 2.1 ANY HAZARDS OR OBSTRUCTIONS TO THE CLIMBING FACILITY AND SAFETY CLIMB MUST BE IDENTIFIED PRIOR TO INSTALLING THE APPURTENANCE. ADDITIONAL PRODUCTS MAY BE REQUIRED TO MAINTAIN THE INTEGRITY OF THE SAFETY CLIMB. DURING INSTALLATION, TEMPORARY AND/OR PERMANENT PRECAUTIONARY MEASURES SHOULD BE TAKEN TO PRESERVE THE CLIMBING FACILITY AND/OR SAFETY CLIMB.
- 2.2 UP TO 5.0° TAPER AVAILABLE ON MODELS THAT SUPPORT ADJUSTMENT

- 3.0 MANUFACTURING/SPECIAL REQUIREMENTS
- 3.1 TIGHTEN ALL BOLTS SECURING FLAT PLATES BY THE TURN-OF-NUT METHOD. TIGHTEN ALL U-BOLTS USING TURN-OF-NUT METHOD WITH ATTENTION TO LEAVE EQUAL DISTANCE AND EQUAL FORCE ON EACH LEG OF THE U-BOLT.

- 4.0 TEST
- 5.0 PACKAGING
- 5.1 PACKAGING SHALL MEET COMMSCOPE REQUIREMENTS PER DOCUMENT IS-PL-3005.
- 5.2 PRINTED DOCUMENT TO BE PLACED INSIDE POLYBAG AND THEN IN SHIPPING CONTAINER.
- 5.3 EXTRA HARDWARE MAYBE SUPPLIED, BAGGED AND SHIPPED.

REVISIONS			
REV.	DESCRIPTION	DATE	APPROVED
A	INITIAL RELEASE	YMENG 08OCT23	YW1047 40179448CMO



COMMSCOPE, INC. OF NORTH CAROLINA											
TOLERANCES					SAP MATERIAL MASTER						
1 PLACE .X[X] ± 0.2[6.3]			3 PLACE .XXX[X] ± 0.060[1.5]		SFG23RHDXL13-4-126						
2 PLACE .XX[X] ± 0.12[3.0]			ANGLES ± 2°								
FINISH					MATERIAL						
UNLESS OTHERWISE SPECIFIED DIMENSIONS ARE IN INCHES INTERPRET PER ANSI Y 14.5M-1994	NAME		DATE		SF, 13',(4)2.88"X126"-PIPES-PIM-SPACED						
	CE	YMENG	08OCT23								
	RW	YMENG	10/18/2023								
	AD	YW1047	10/18/2023								
	RE	YMENG	10/18/2023								
ECN 40179448CMO					SCALE		DOCUMENT NO.				
					1:32		SFG23RHDXL13-4-126				
SIZE		Auth Group		INSL		MODEL			DRAWING		
C						VERSION		STATUS		REVISION	
						00		RE		A	
						00		RE		A	
										SHEET 1 OF 5	

DENSITY		lbs/in ³
MASS	1080.09	lbs
VOLUME	3809.26	in ³
SURFACE AREA	32881.15	in ²
HEIGHT	126"	
LENGTH	156"	
WIDTH	120"	

© 2023 CommScope, Inc. Confidential

4

3

2

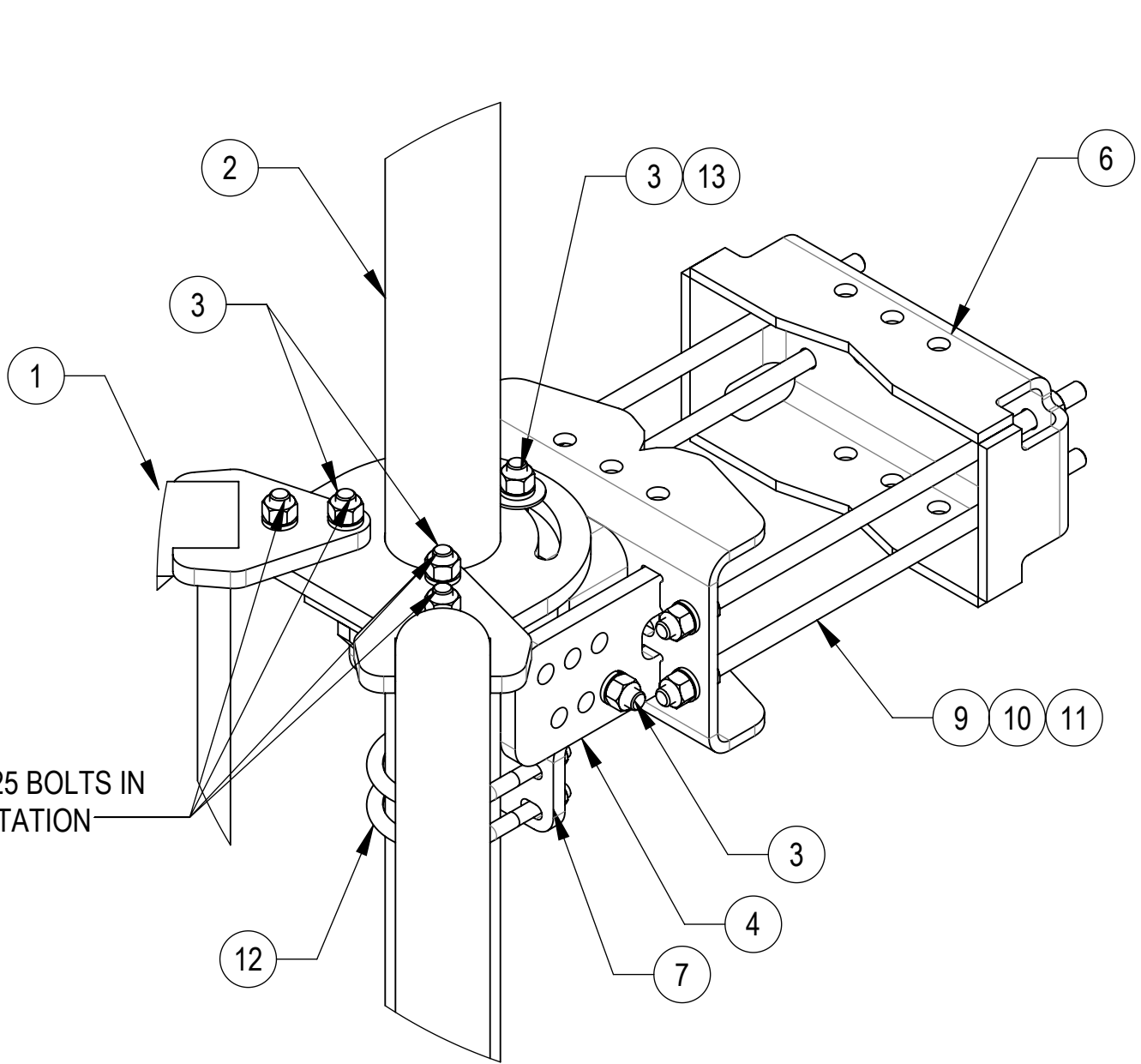
1

4

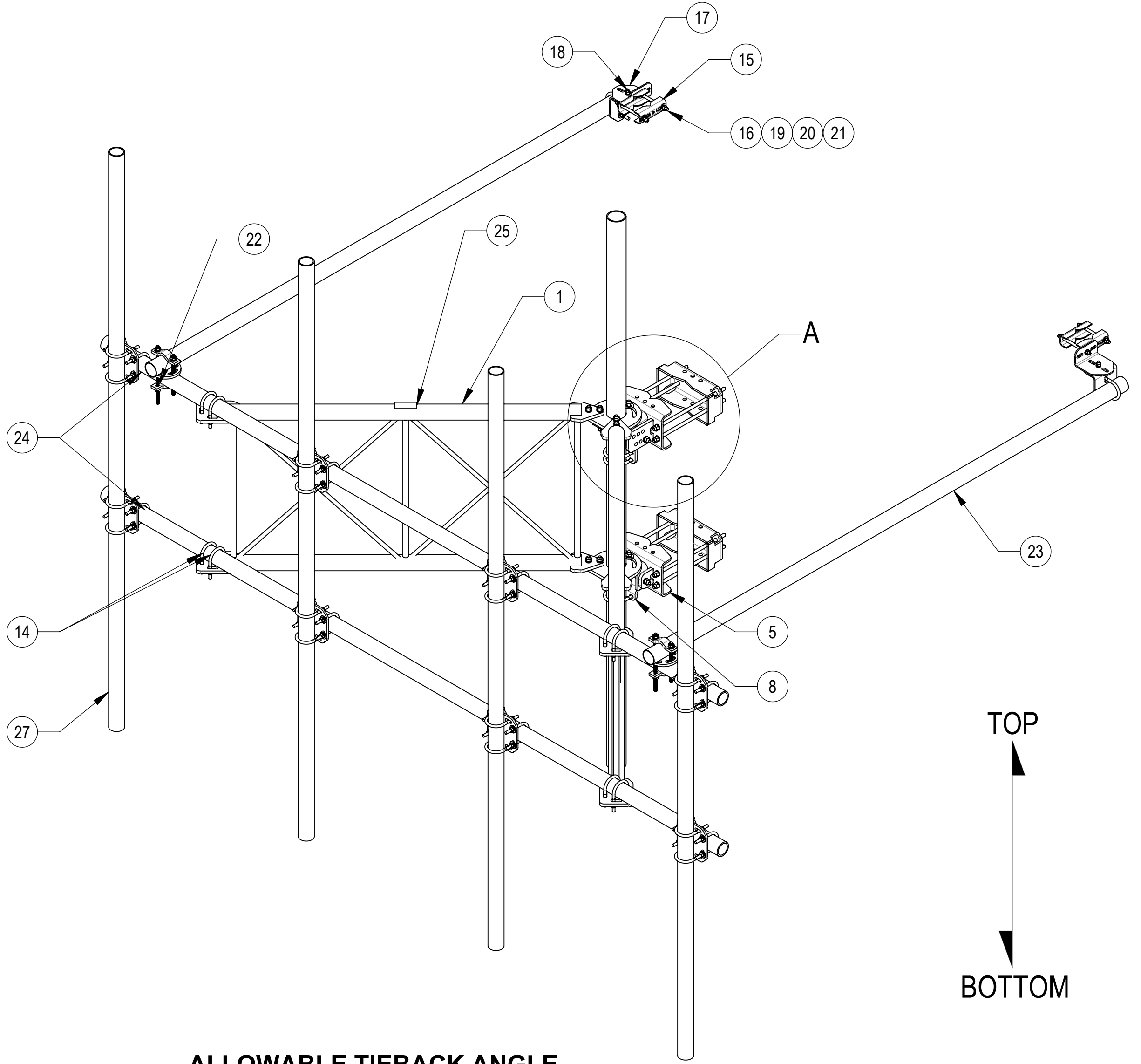
3

2

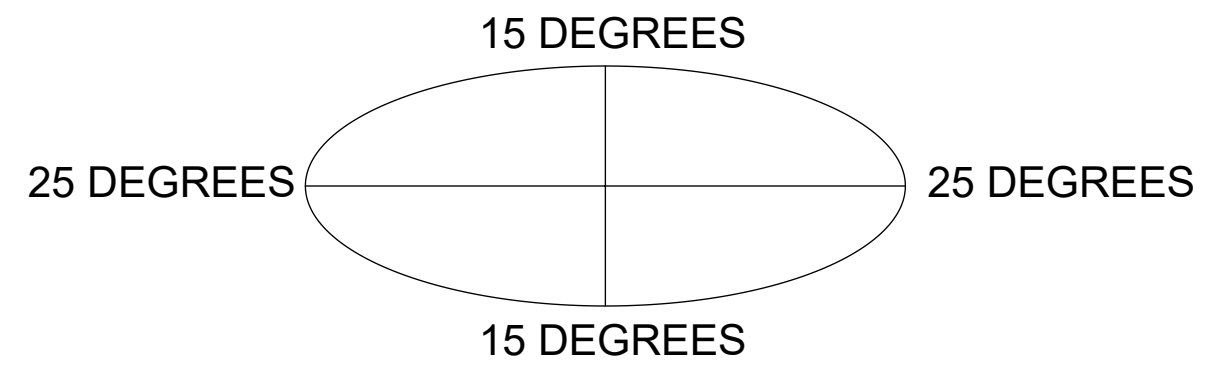
1



DETAIL A
SCALE 1 : 5



ALLOWABLE TIEBACK ANGLE
± 15 DEGREES VERTICAL
± 25 DEGREES HORIZONTAL



COMPONENT PART NUMBERS PROVIDED FOR ASSEMBLY PURPOSES;
INDIVIDUAL COMPONENTS MAY BE SHIPPED AS PARTS WITHIN AN INCLUDED KIT.

ITEM	PART NO.	DESCRIPTION	QTY.	WEIGHT	NOTE NO.
1	SFG23180-00	ARM, STANDOFF, SFG23	2	120.07 LBS	
2	SFG2204	WELDMENT, BACK VERTICAL ARM MOUNT	1	97.29 LBS	
3	GB-05225	5/8" X 2-1/4" GALV BOLT KIT	14	0.28 LBS	
4	SFG2380	WELDMENT, HD, TOP TAPER BRACKET	1	22.78 LBS	
5	SFG2381	WELDMENT, HD, LOWER TOWER LEG BRACKET	1	17.42 LBS	
6	SFG2289	G2 RRU BACK CLAMP, HD	2	18.65 LBS	
7	SFG2386	WELDMENT, SFG2 AZIMUTH BRACKET	1	10.69 LBS	
8	SFG2397-00	WELDMENT, G23 AZIMUTH BRACKET	1	8.56 LBS	
9	MT-382-18	5/8" X 18" THREADED ROD	8	1.43 LBS	
10	GWL-05	5/8" GALV LOCK WASHER	16	0.03 LBS	
11	GN-05	5/8" GALV HEX NUT	24	0.08 LBS	
12	GUB-4355	1/2" X 3-5/8" X 5" GALV U-BOLT	3	0.71 LBS	
13	GWF-05	5/8" GALV FLAT WASHER, 1.7OD	2	0.06 LBS	
14	GUB-4352	1/2" X 3" X 5-1/4" GALV U-BOLT	10	0.71 LBS	
15	SAB01	FORMED CLAMP	4	1.35 LBS	
16	MT-379-8	1/2" X 8" GALV THREADED ROD	4	0.45 LBS	
17	XAU01	ANGLE, CROSSOVER, 1.9-3.5" X 1.9-3.5" OD	4	2.98 LBS	
18	GB-04145	1/2" X 1-1/2" GALV BOLT KIT	2	0.13 LBS	
19	GWF-04	1/2" GALV FLAT WASHER	8	0.04 LBS	
20	GWL-04	1/2" GALV LOCK WASHER	10	0.01 LBS	
21	GN-04	1/2" GALV HEX NUT	10	0.04 LBS	
22	XP-R	CROSSOVER PLATE, ROUND, UP TO 3.5" OD	2	6.20 LBS	
23	MT546120120	PIPE, 2.875"OD X 120"	2	35.44 LBS	
24	MT546156276	PIPE, 2.875"OD X 156"	2	99.95 LBS	
25	SFG23100	LABEL, SFG23RHDXL	1	0.04 LBS	
26	XP-2525	CROSSOVER PLATE KIT, 2-7/8 OD X 2-7/8 OD	8	8.37 LBS	
27	MT-546-126	PIPE, 2.875"OD X 126"	4	61.05 LBS	

COMMSCOPE, INC. OF NORTH CAROLINA				
TITLE SF,13',(4)2.88"X126"-PIPES-PIM-SPACED				
SIZE C	SCALE 1:16	DOCUMENT NO. SFG23RHDXL13-4-126		
DRAWING		VERSION	STATUS	REVISION
		00	RE	A
				SHEET 2 OF 5

© 2023 CommScope, Inc. Confidential

4

3

2

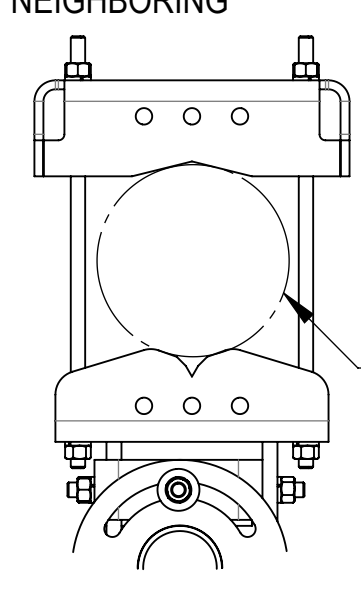
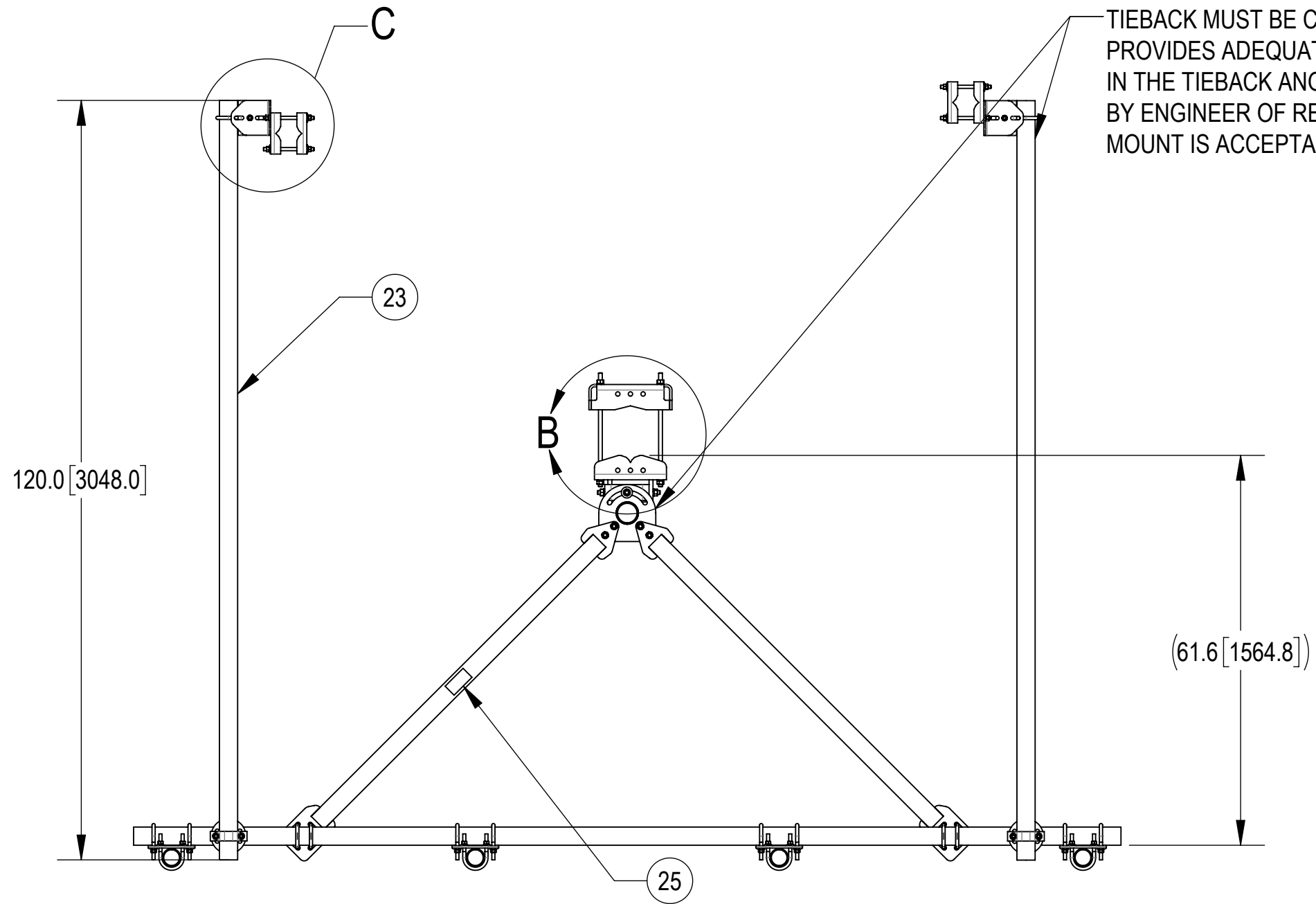
1

4

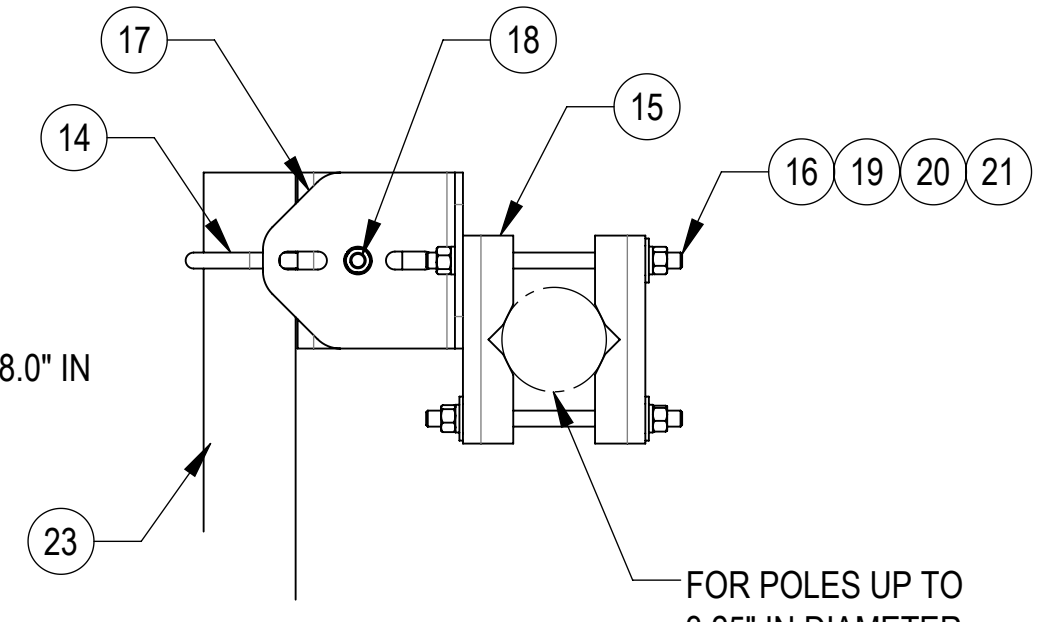
3

2

1

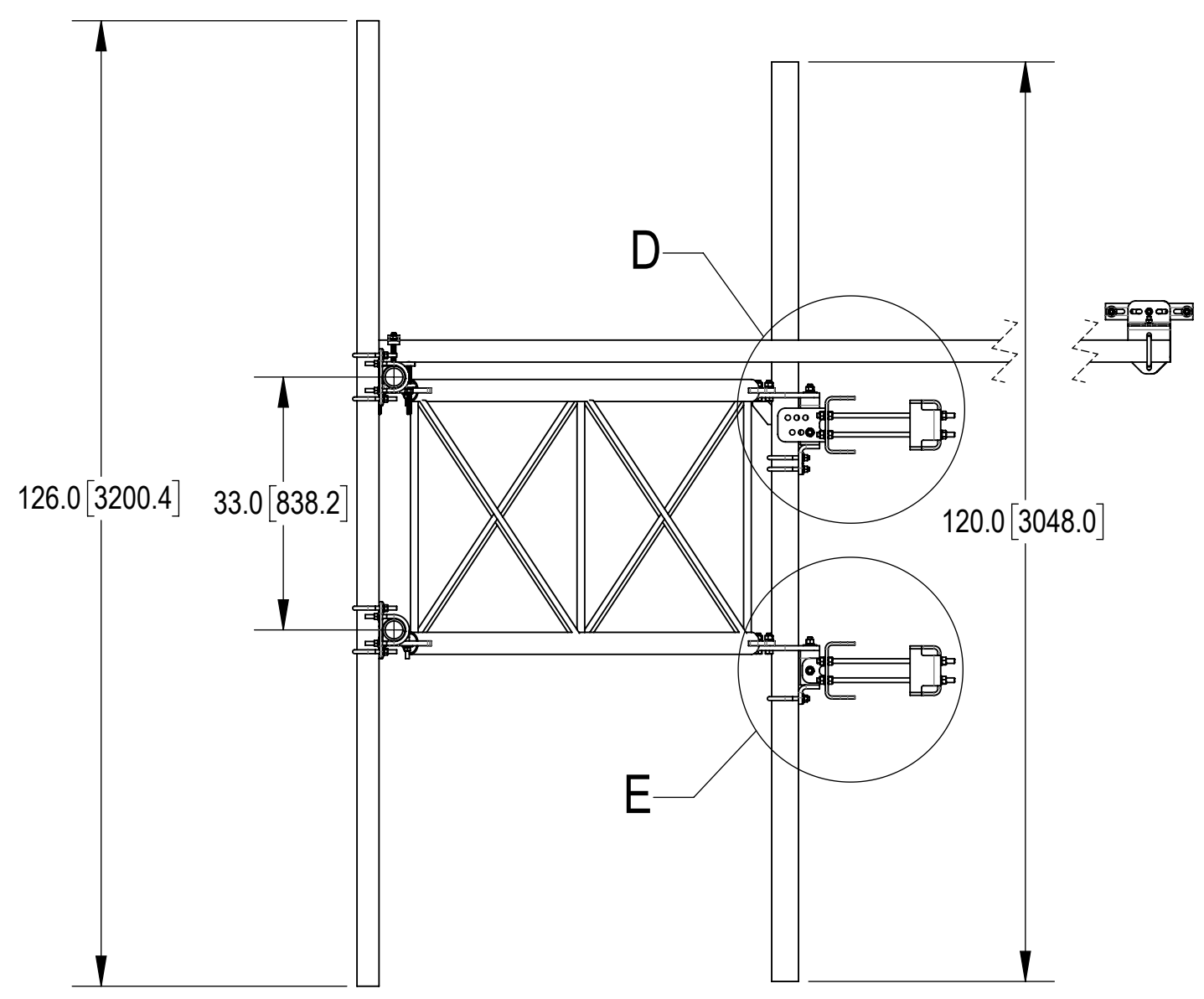
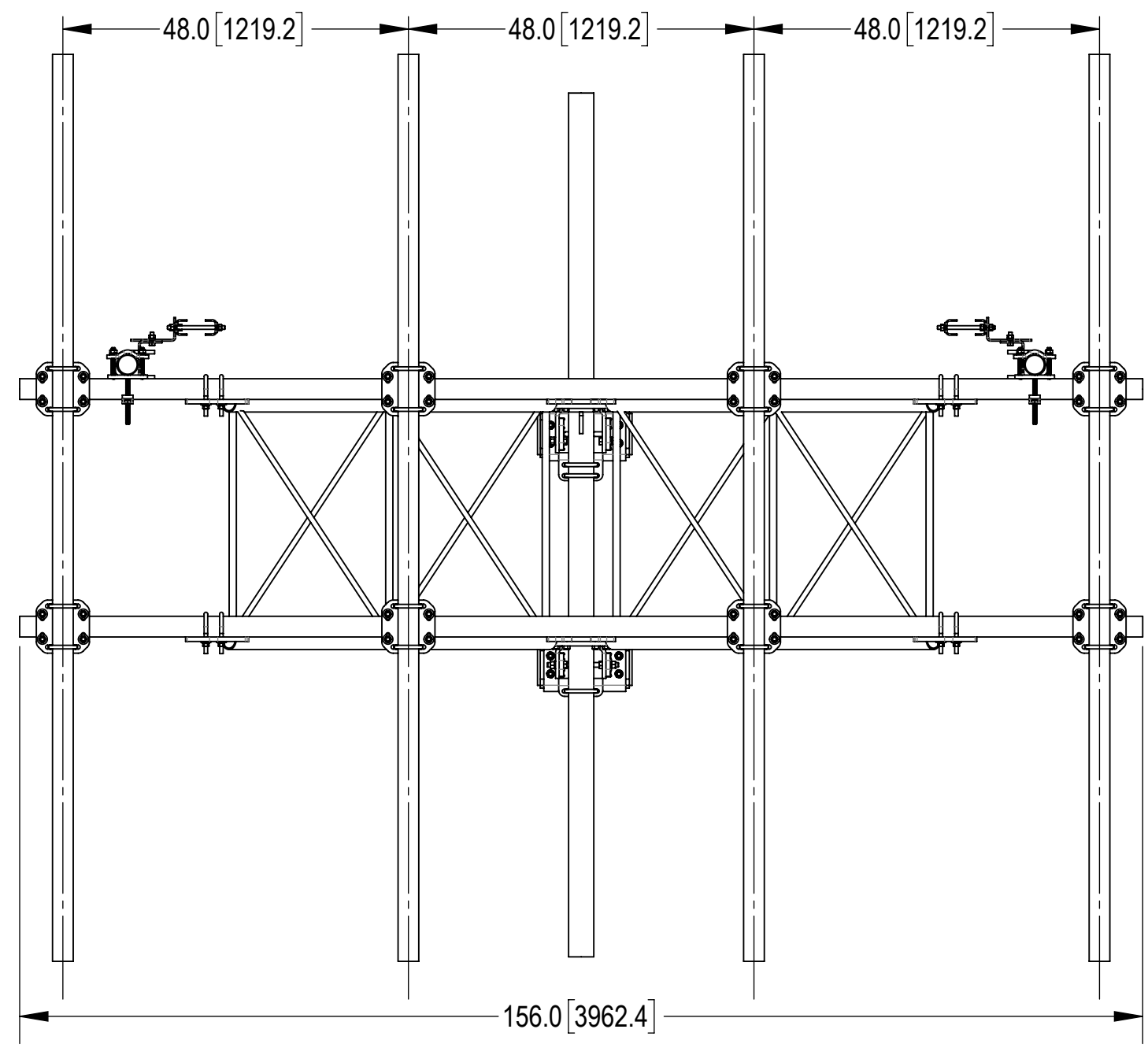
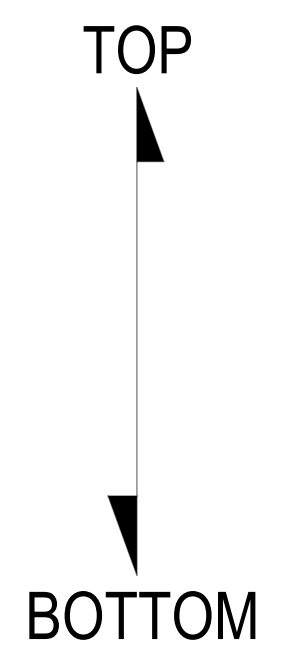
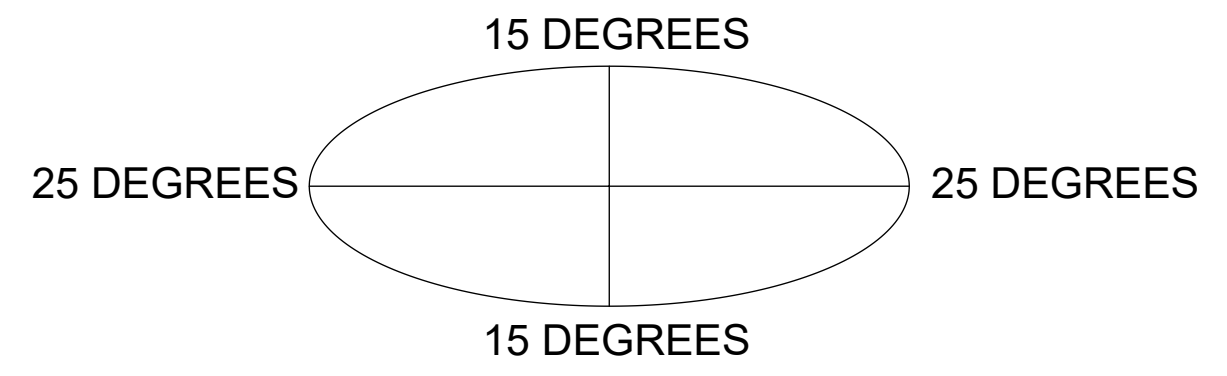


DETAIL B
SCALE 1 : 8



DETAIL C
SCALE 1 : 6

ALLOWABLE TIEBACK ANGLE
±15 DEGREES VERTICAL
±25 DEGREES HORIZONTAL



COMMSCOPE, INC. OF NORTH CAROLINA				
TITLE SF, 13', (4) 2.88" X 126" - PIPES - PIM - SPACED				
SIZE C	SCALE 1:21	DOCUMENT NO. SFG23RHDXL13-4-126		
		DRAWING		SHEET
		VERSION	STATUS	REVISION
		00	RE	A
				SHEET 3 OF 5

4

3

2

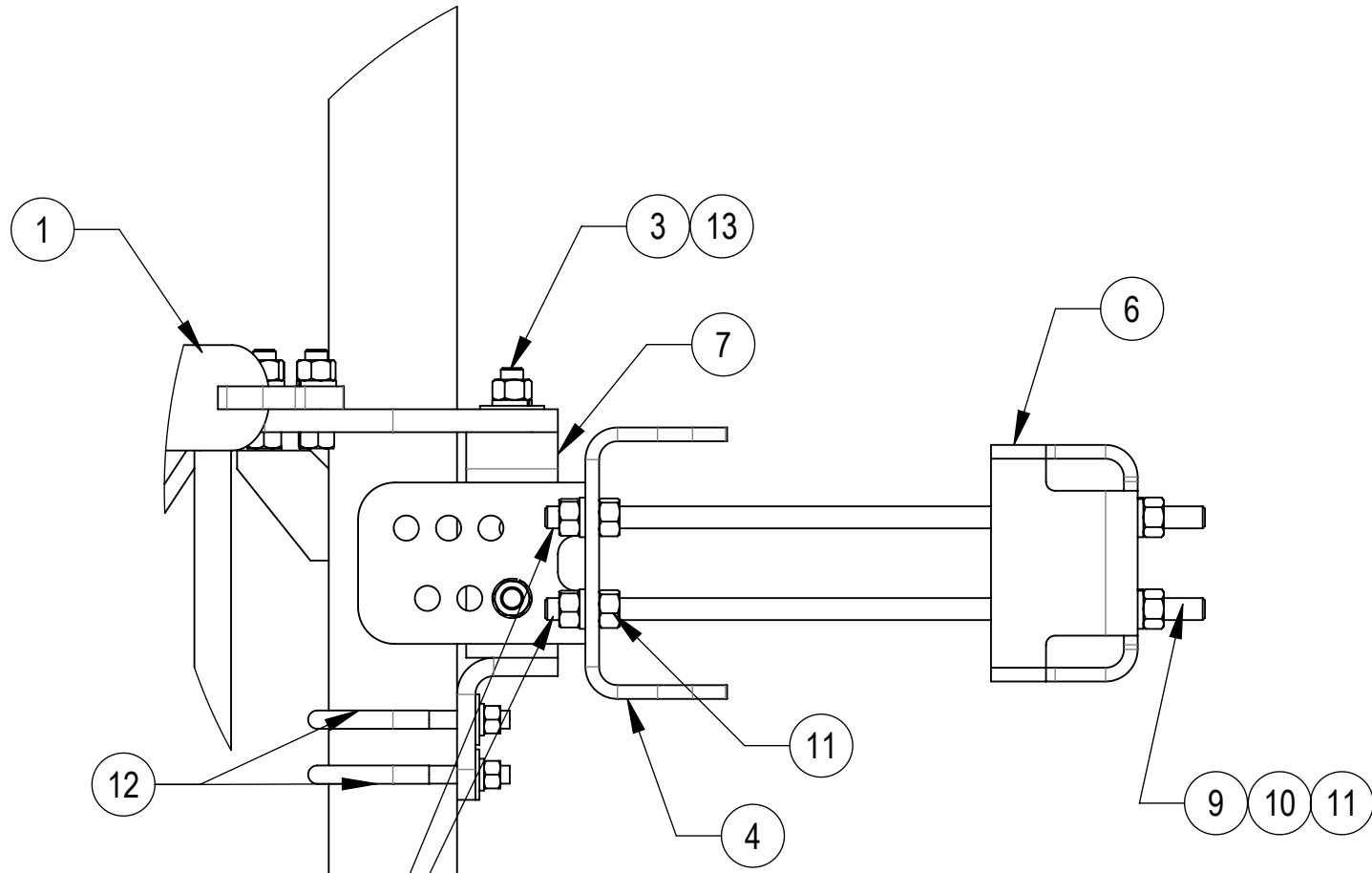
1

4

3

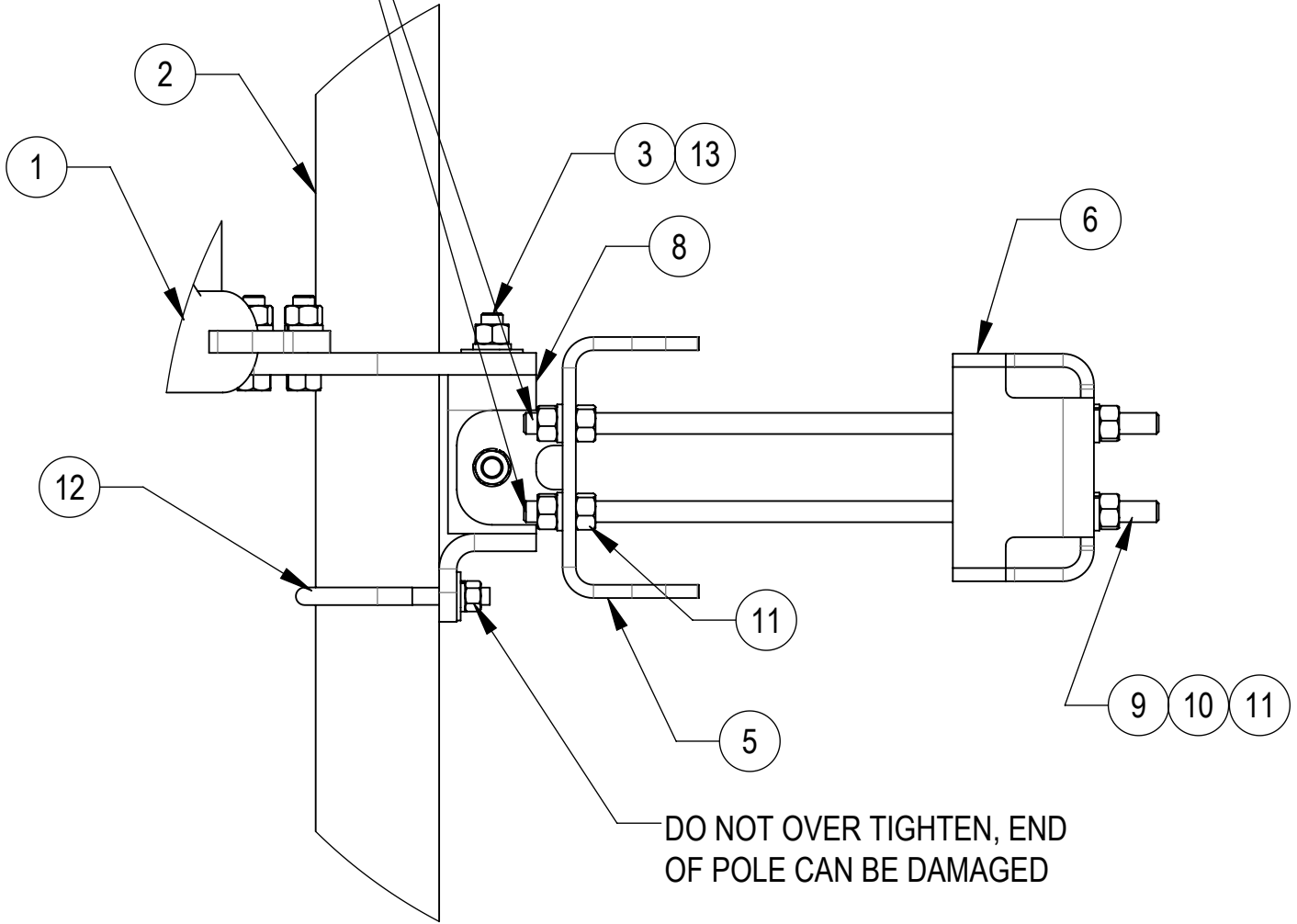
2

1



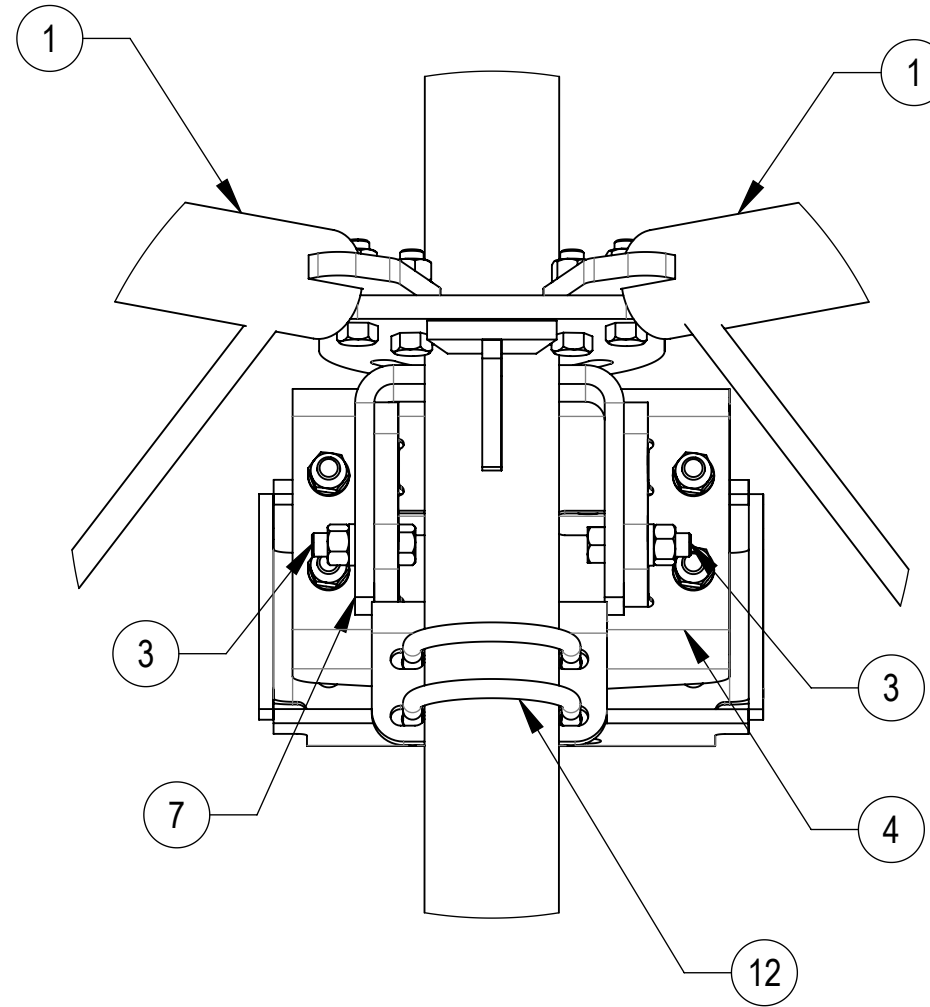
DETAIL D
SCALE 1 : 5

THE THREADED ROD CAN ONLY EXPOSE 4 TO 7 THREADS ON ONE SIDE OF THE BRACKET, WHICH IS TO PREVENT INTERFERENCE WITH THE SIDE BOLTS

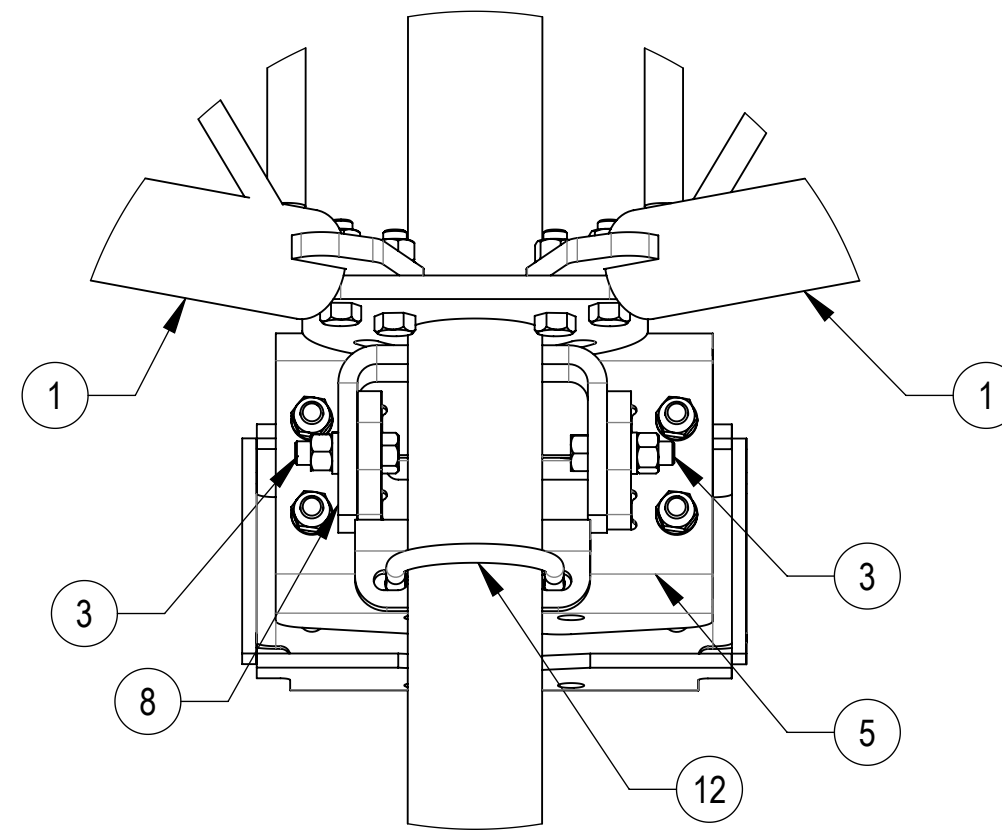


DETAIL E
SCALE 1 : 5


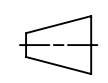
DO NOT OVER TIGHTEN, END OF POLE CAN BE DAMAGED



DETAIL ISO TOP ROTATED VIEW
SCALE 1 : 5



DETAIL ISO BOTTOM ROTATED VIEW
SCALE 1 : 5

COMMSCOPE, INC. OF NORTH CAROLINA				
TITLE SF,13',(4)2.88"X126"-PIPES-PIM-SPACED				
SIZE C	SCALE 1:21	DOCUMENT NO. SFG23RHDXL13-4-126		
 		DRAWING		SHEET 4 OF 5
		VERSION 00	STATUS RE	

4

3

2

1

D

D

C

C

B

B

A

A

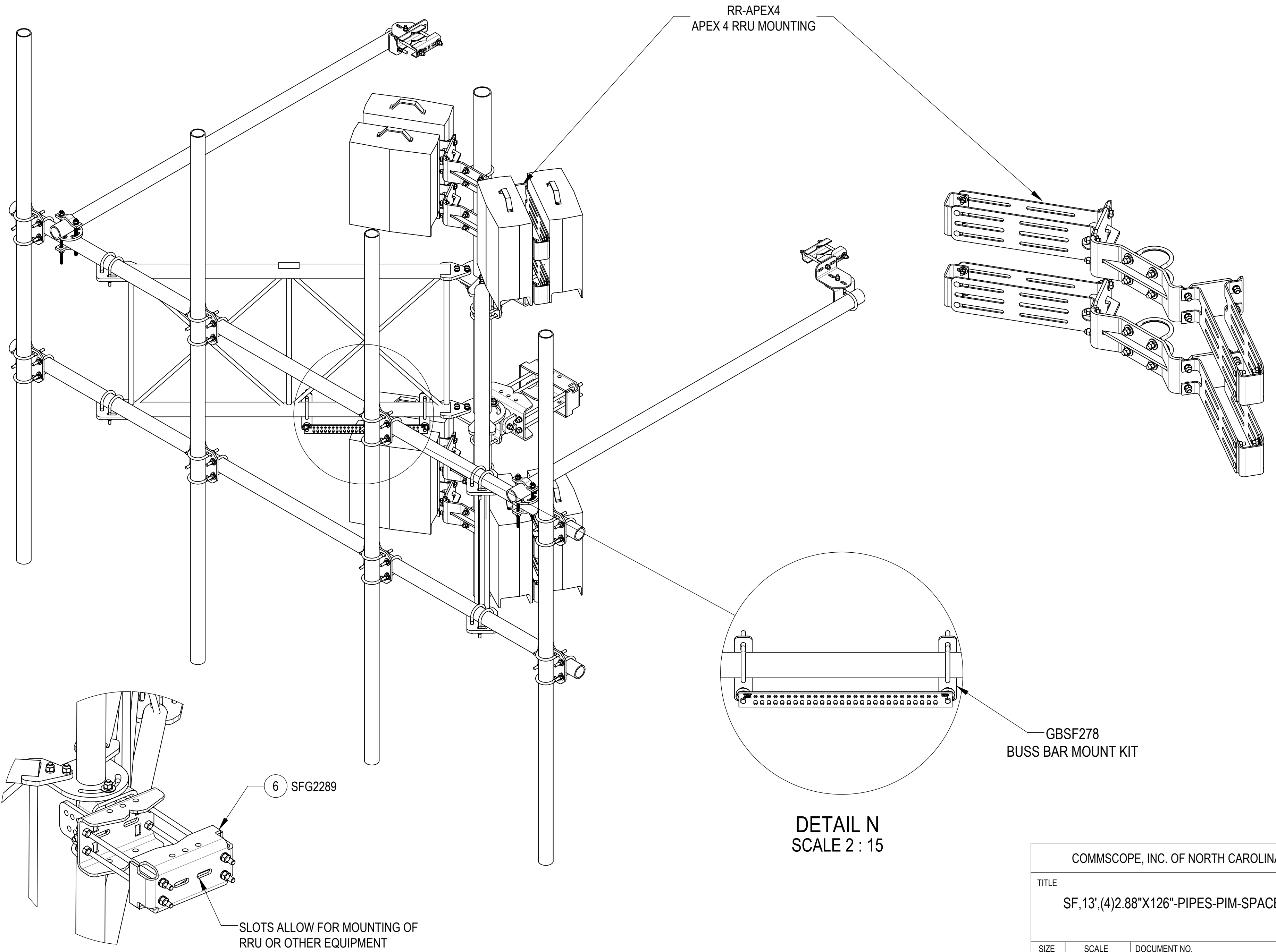
4

3

2

1

ACCESSORIES ORDERED SEPARATELY:



RR-APEX4
APEX 4 RRU MOUNTING

GBSF278
BUSS BAR MOUNT KIT

6 SFG2289

SLOTS ALLOW FOR MOUNTING OF
RRU OR OTHER EQUIPMENT

DETAIL N
SCALE 2 : 15

COMMSCOPE, INC. OF NORTH CAROLINA				
TITLE SF, 13', (4) 2.88" X 126" - PIPES - PIM - SPACED				
SIZE C	SCALE 1:12	DOCUMENT NO. SFG23RHDXL13-4-126		
		DRAWING		SHEET
		VERSION	STATUS	REVISION
		00	RE	A
				5 OF 5

4

3

2

1