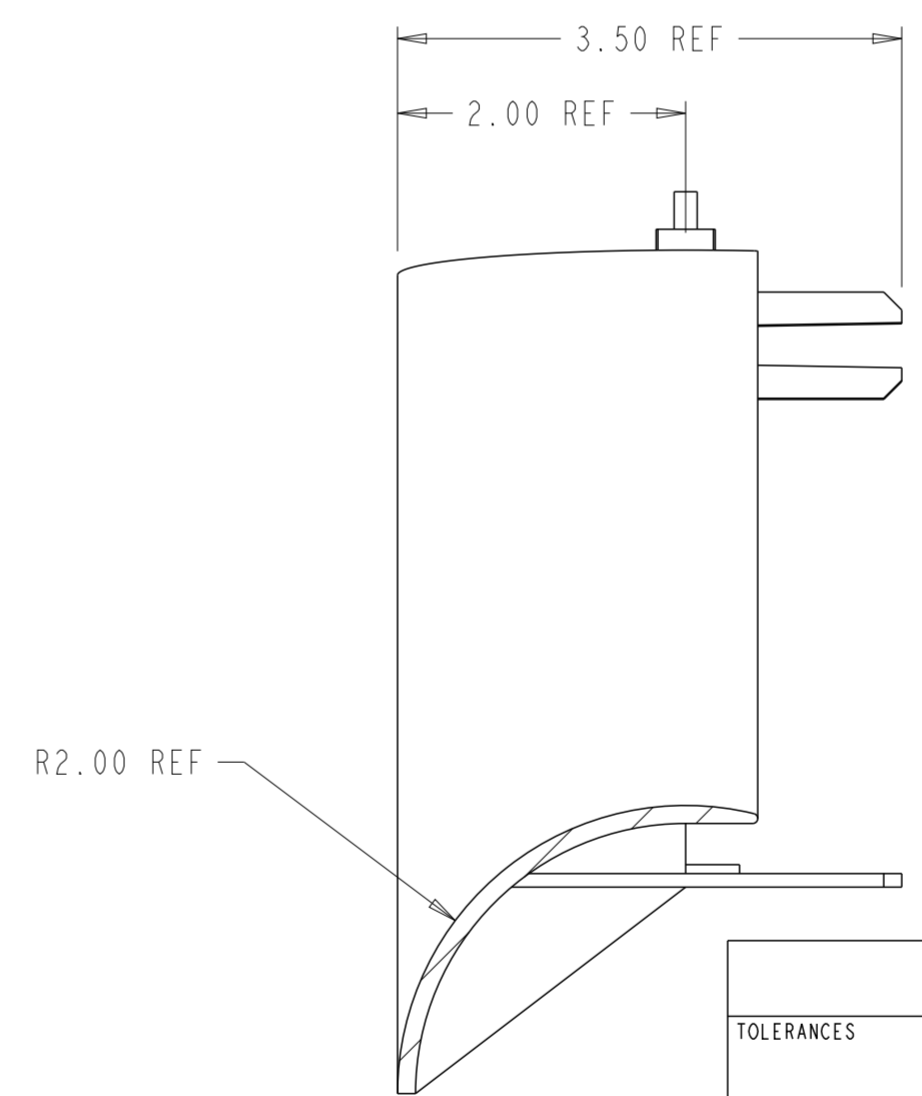
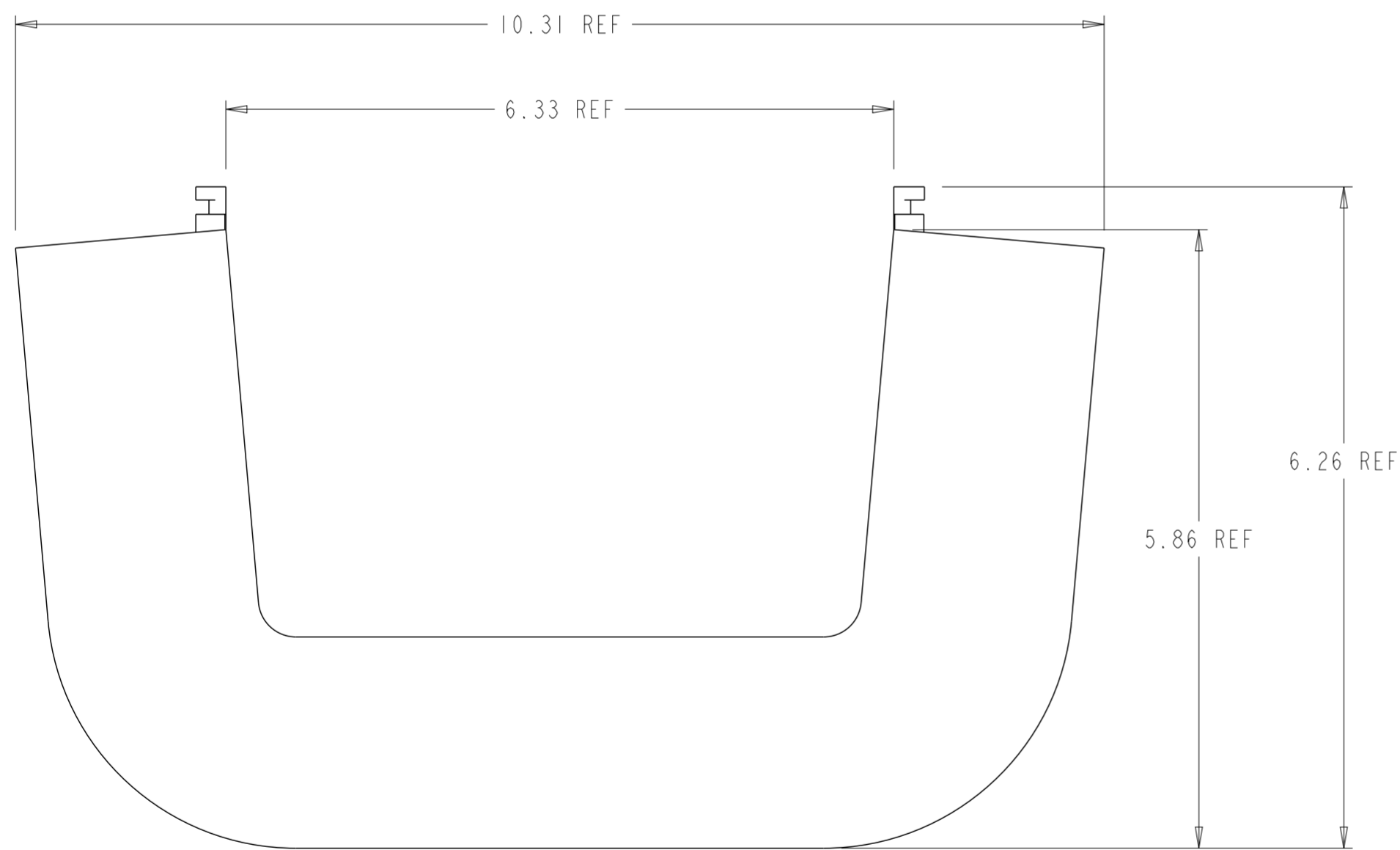
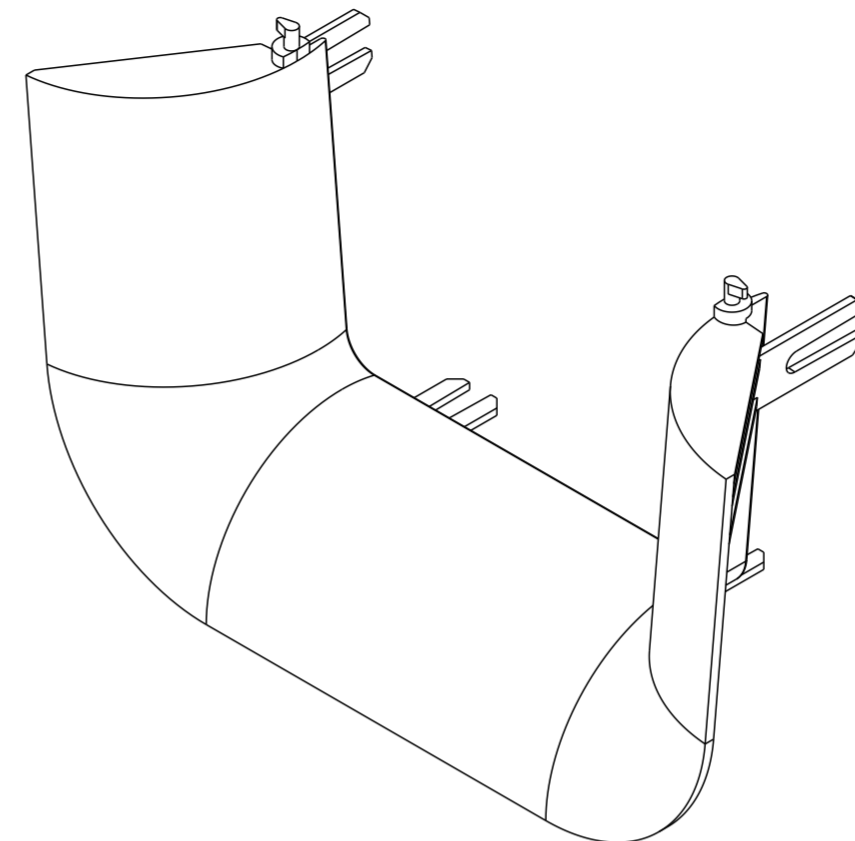
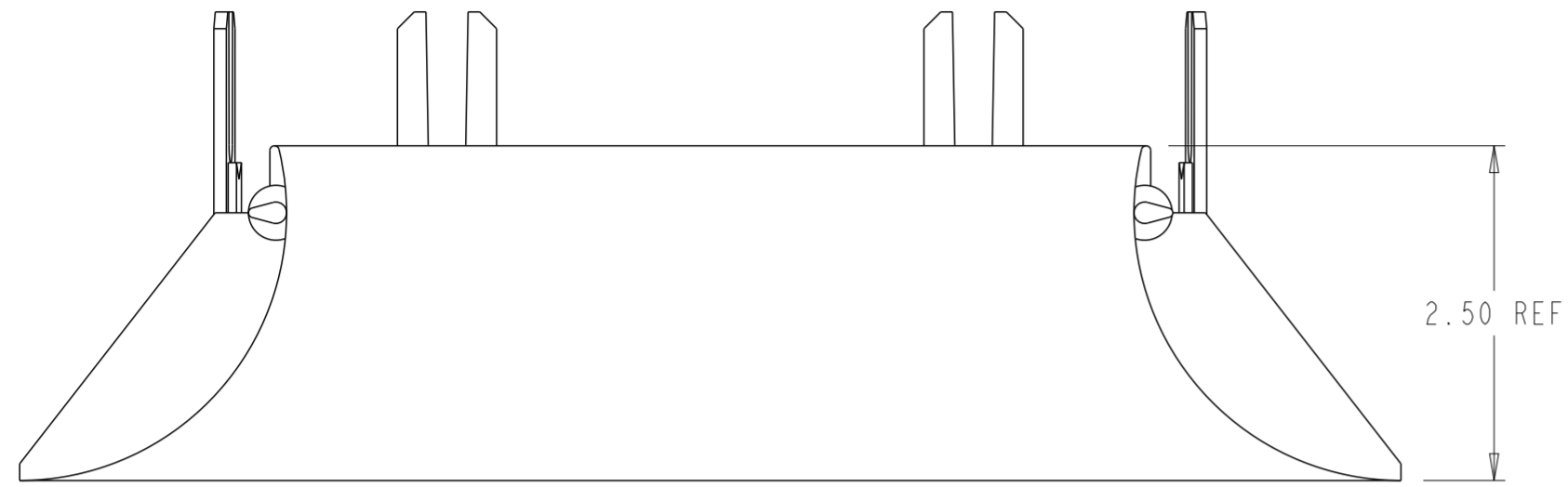


REVISIONS			
REV	CMO	DATE	APPROVED
C	20273560	04-FEB-10	RCR
D	40175008CMO	25-SEP-2023	GVR



CATALOG NUMBER	COLOR
FGSB-MTRM-B	BLACK
FGS-MTRM-B	YELLOW

- NOTES:**
1. MOUNTING HARDWARE INCLUDED WITH KIT.
 2. MATERIAL IS SELF EXTINGUISHING WITH A UL 94 RATING OF V-0.

COMMSCOPE, INC.									
TOLERANCES					SAP MATERIAL MASTER				
SEE TABLE									
FINISH					MATERIAL				
SEE NOTES					SEE NOTES				
UNLESS OTHERWISE SPECIFIED DIMENSIONS ARE IN MILLIMETERS	DRAFTER			TITLE					
	CHECKER			KIT, TRUMPET, 4X6 INSTALLATION DWG					
	T. HAATAJA								
	ENGINEER			SIZE	SCALE	DOCUMENT NO.			
T. HAATAJA			A2	0.500	1045822_ADC				
CMO			40175008CMO						
ALL SURFACES	AUTH GRP: ***		MODEL			DRAWING			SHEET
✓	[Symbol]		VERSION	STATUS	REVISION	VERSION	STATUS	REVISION	1 OF 1
			***	[Hatched]	[Hatched]	01	RE	D	

© 2023 CommScope, Inc. Confidential
 NOTICE: These drawings and specifications are the proprietary property of COMMSCOPE, INC. and may be used only for the specific purpose authorized in writing by COMMSCOPE, INC.