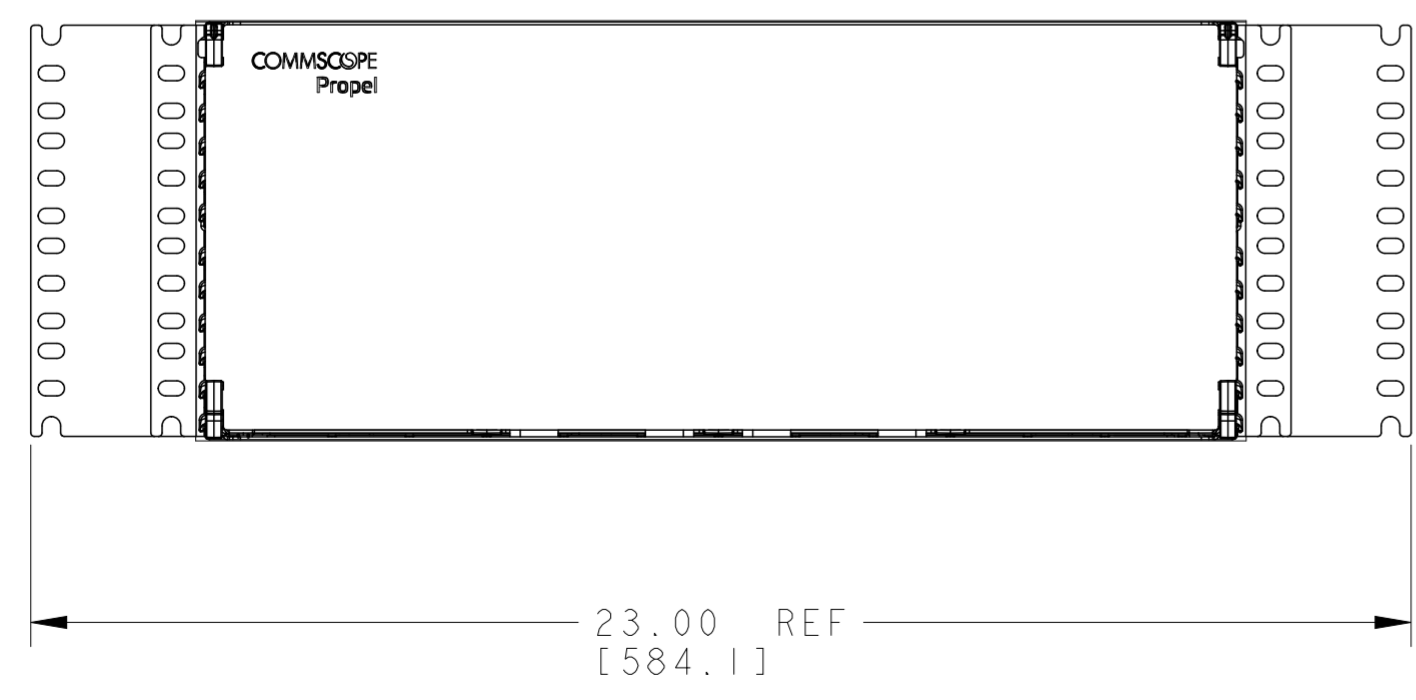
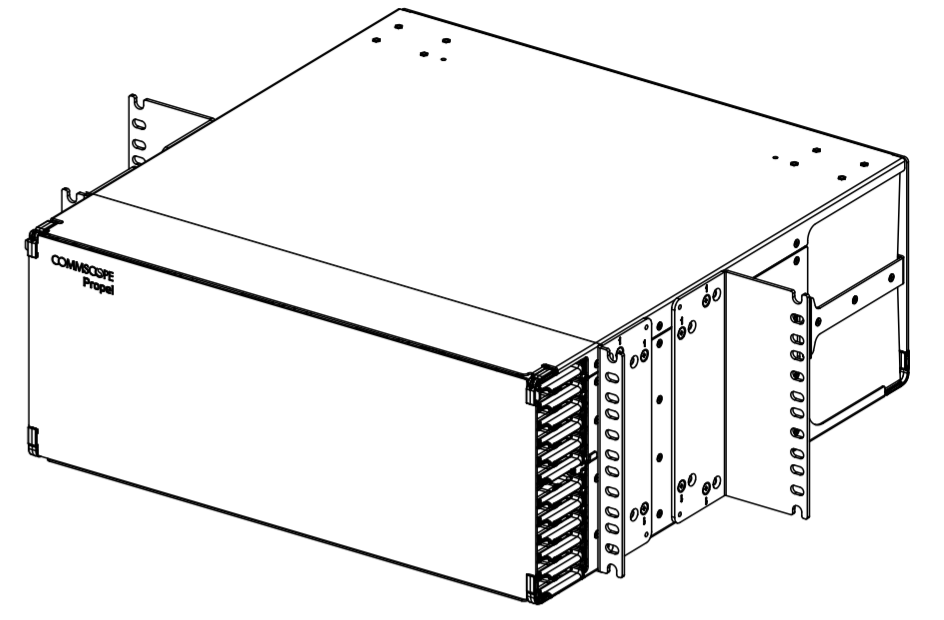
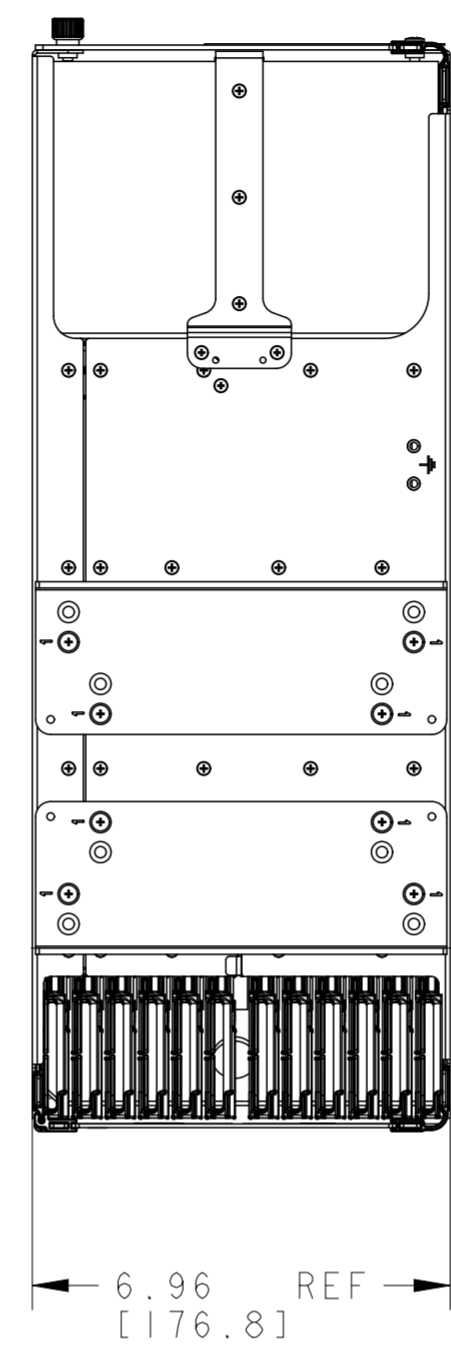
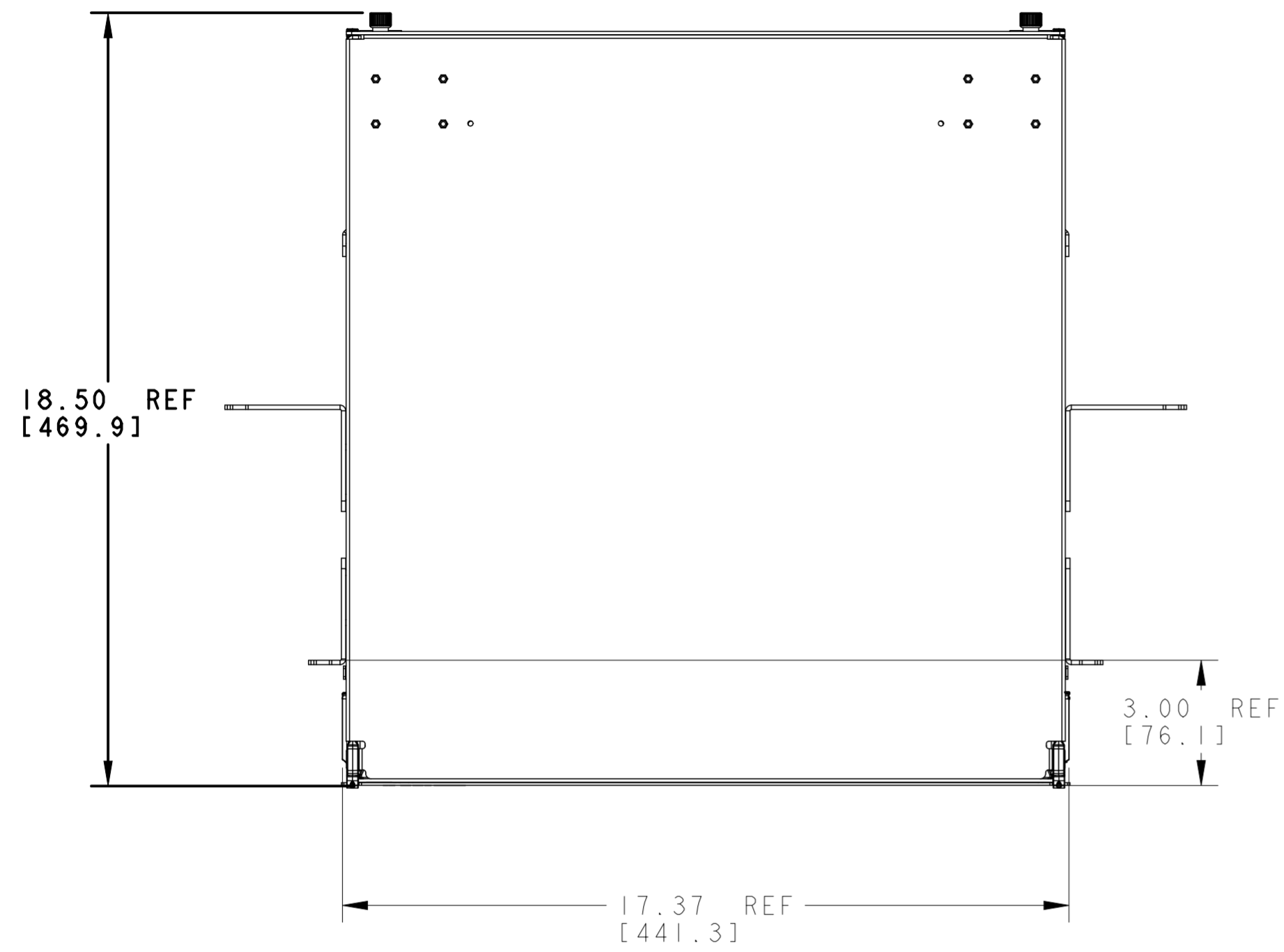


REVISIONS			
REV	CMO	DATE	APPROVED
A	40179728CMO	04-SEP-2023	VFV



760255955	PPL - 4U - W
760252004	PPL - 4U
MID	CATALOG # / DESCRIPTION

<b>COMMSCOPE, INC.</b>			
DRAFTER VICTOR FLORES		TITLE 4RU PPL DIM DRAWING	
ENGINEER JAKE ANDERSON	SIZE A2	SCALE 1:8	DOCUMENT NO. <b>660106138</b>
CUSTOMER DRAWING			REVISION A
			SHEET 1 OF 1

UNIT IN INCHES [MM]

