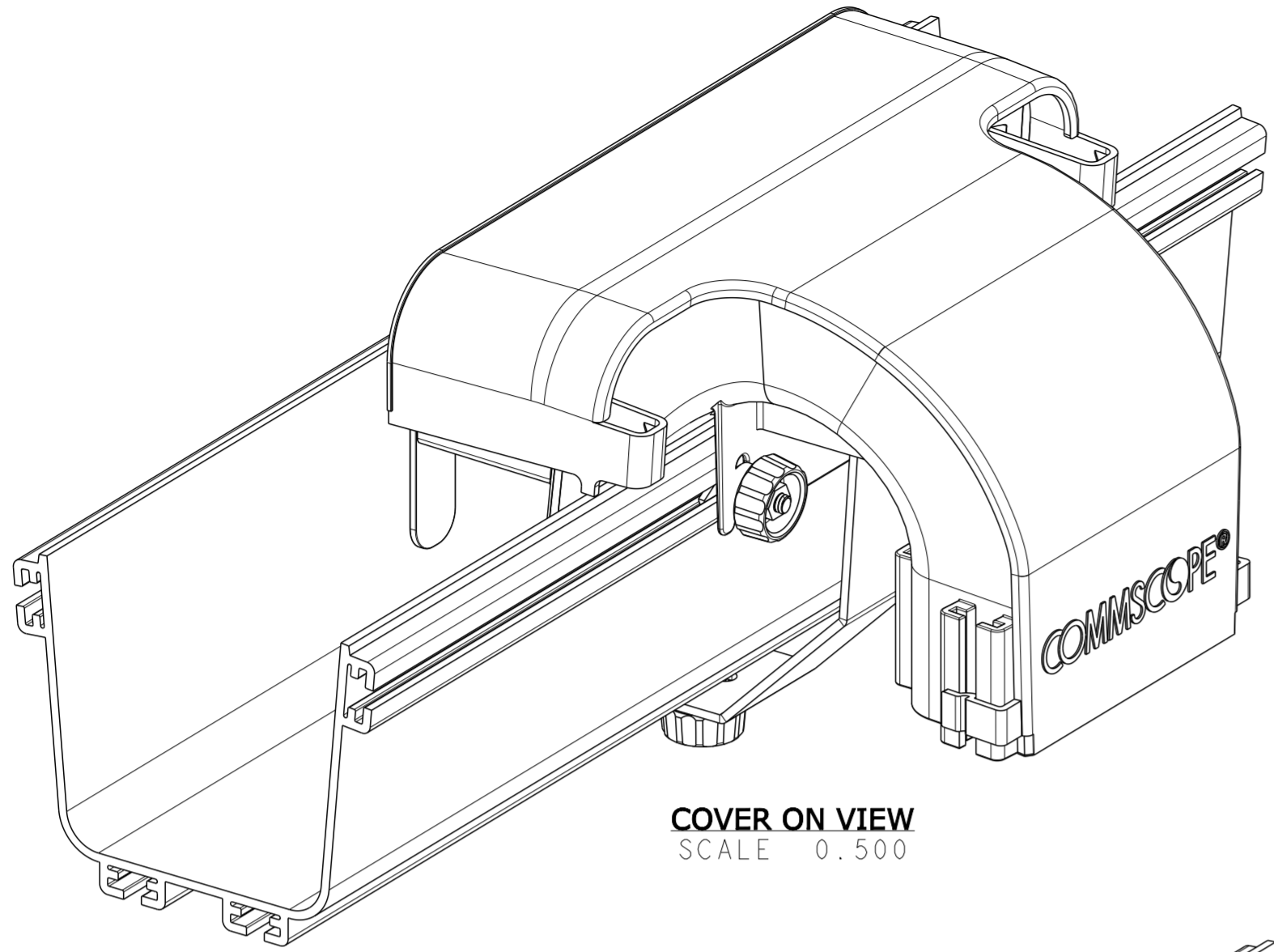
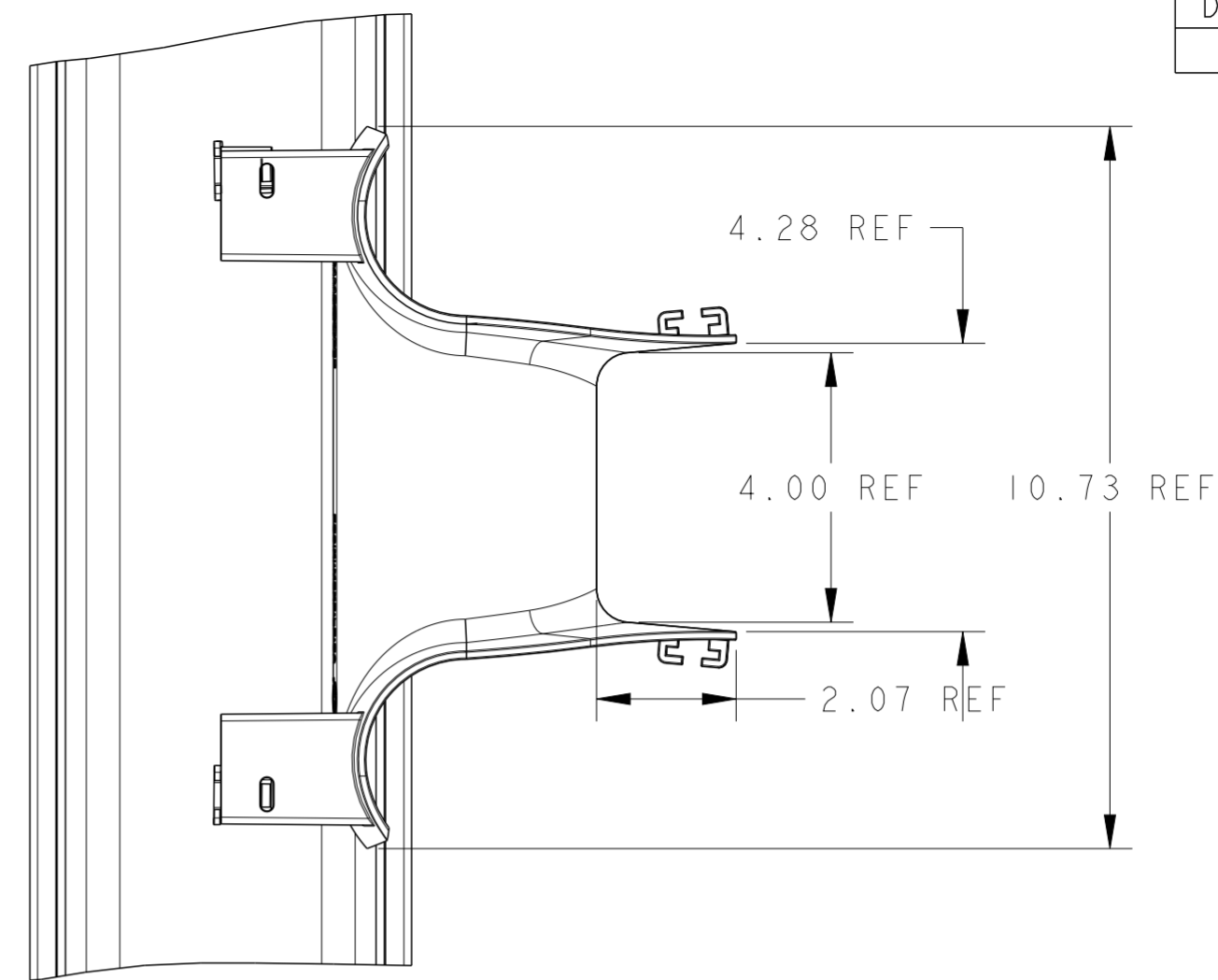


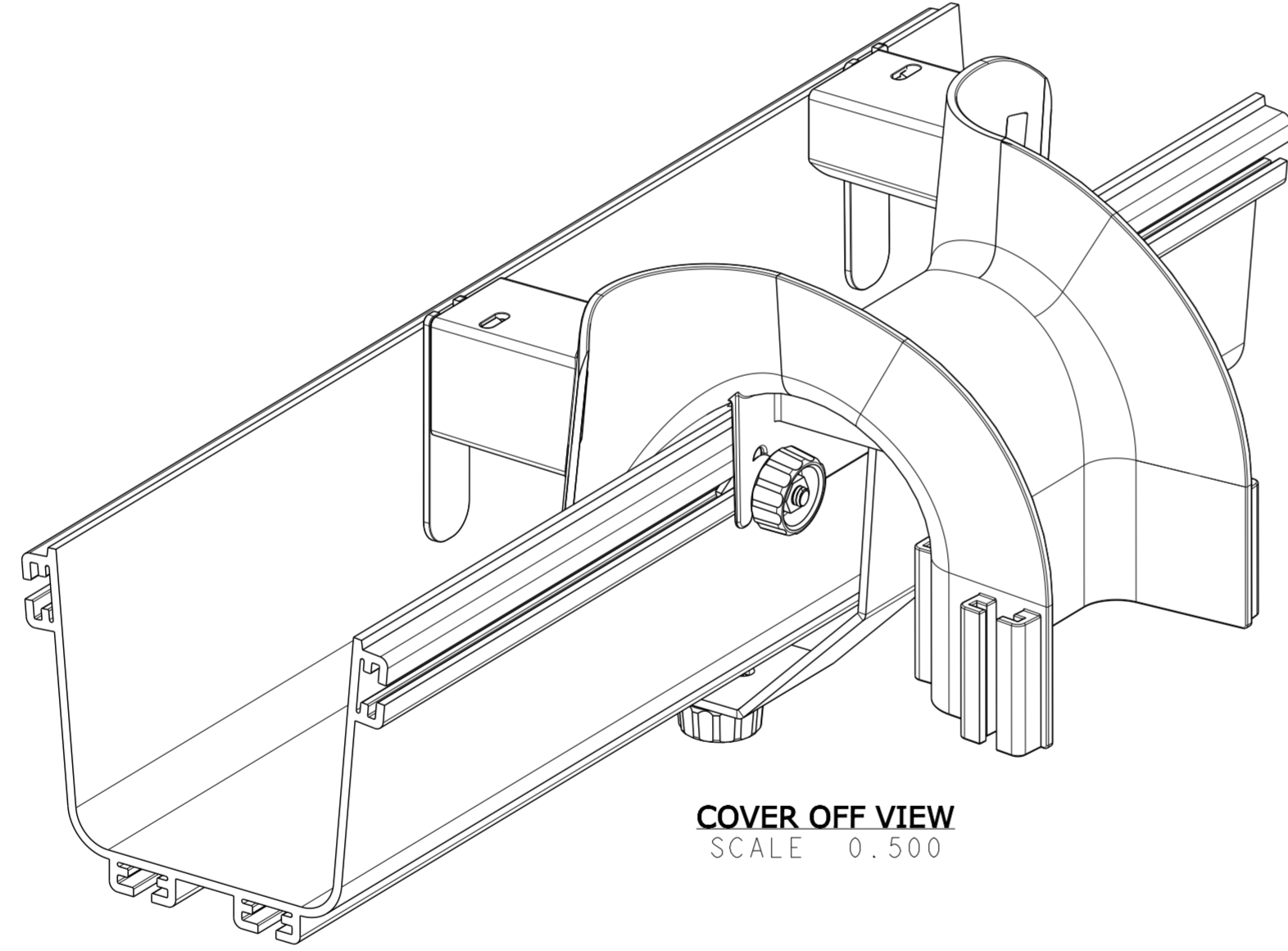
REVISIONS			
REV	CMO	DATE	APPROVED
D	40152780CMO	19-JUL-2022	IDM
	40167177CMO	25-JUL-2023	NRO



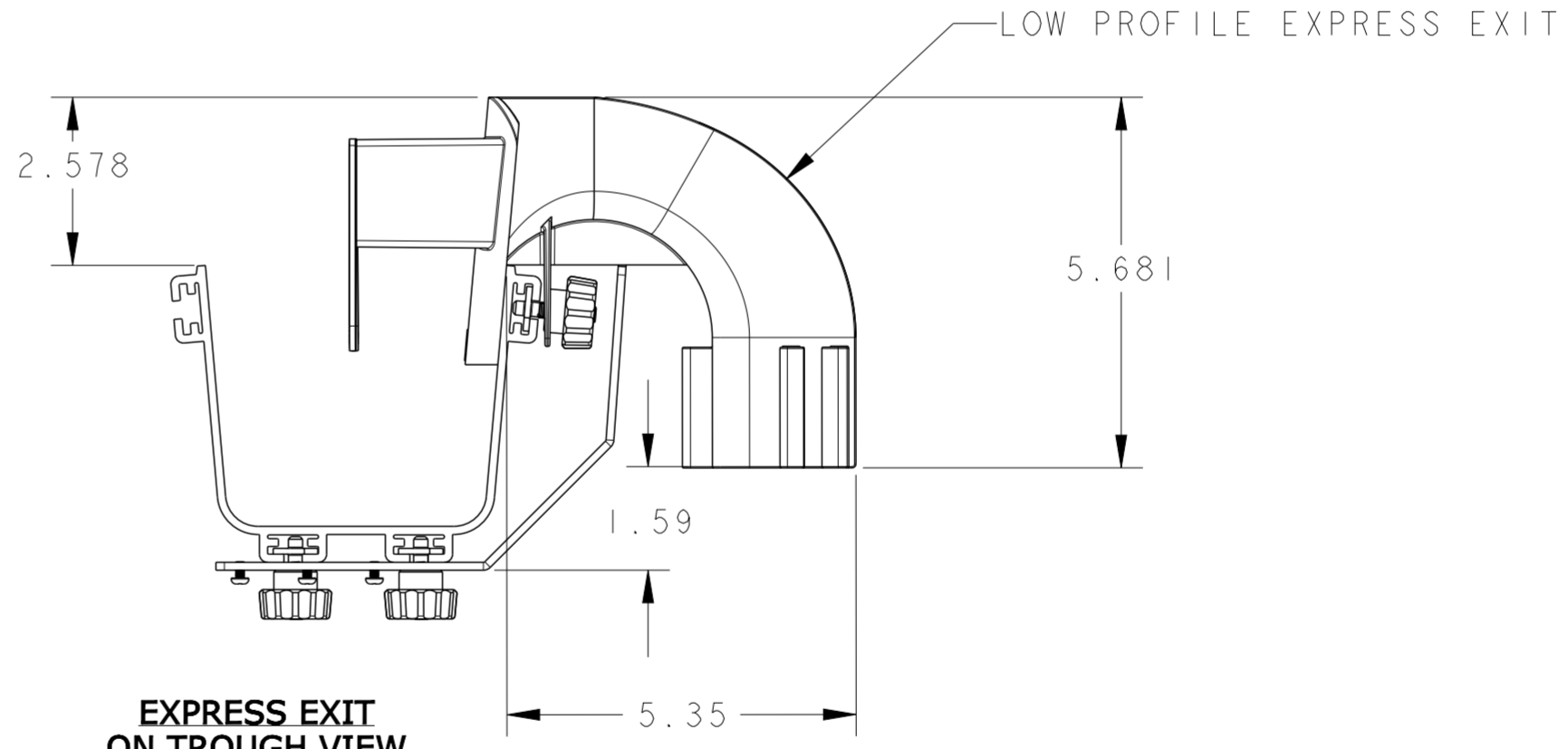
COVER ON VIEW
SCALE 0.500



TOP VIEW
SCALE 0.375



COVER OFF VIEW
SCALE 0.500



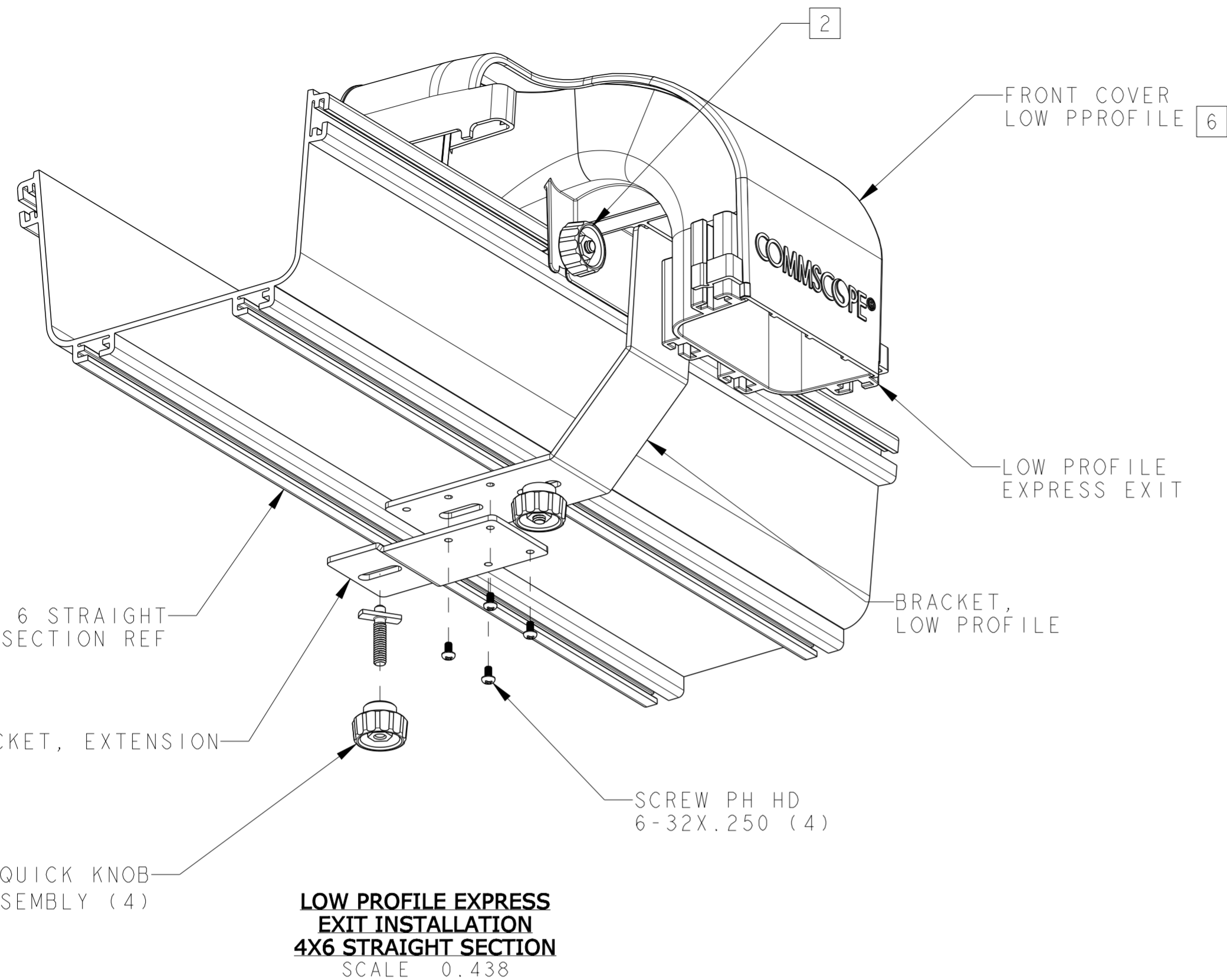
EXPRESS EXIT ON TROUGH VIEW
SCALE 0.375
SIDE VIEW

PARTS LIST	
DESCRIPTION	QTY
LOW PROFILE EXPRESS EXIT	1
COVER, LOW PROFILE EXPRESS EXIT	1
BRACKET, FIBER RETAINING	2
BRKT, LOW PROFLIE 2X6	1
BRKT, LOW PROFILE 2X4	1
BRKT, EXTENSION 2X4 EXP EXIT	1
BRKT, EXTENSION 2X4 EXP EXIT, 18"-24"	1
QUICK KNOB ASSEMBLY	4
SCREW, 6-32 X .25	4

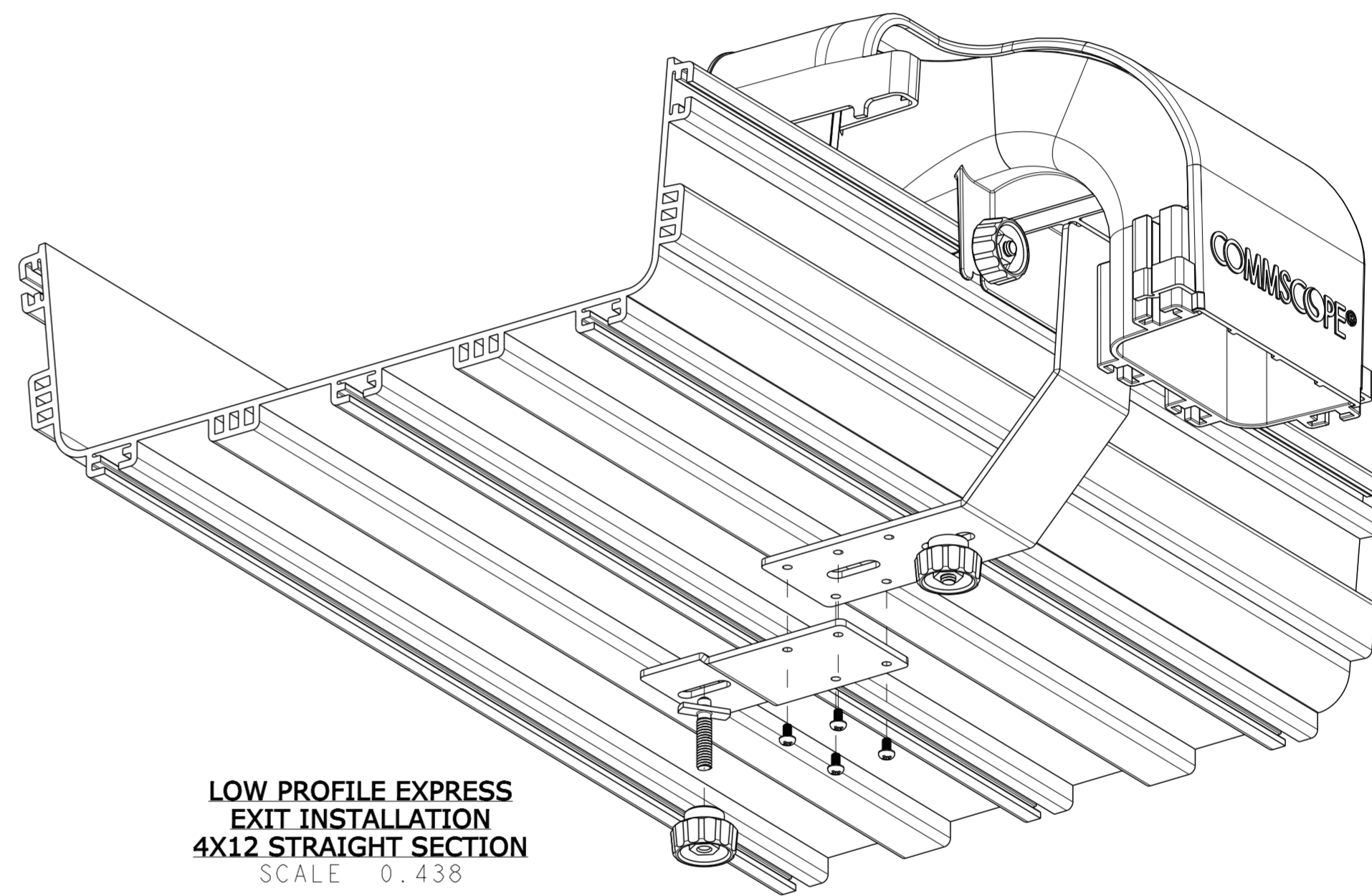
6

6	FGSB-MEXP-LP-CA	BLACK
	FGS-MEXP-LP-CA-NC	YELLOW
	FGS-MEXP-LP-CA	YELLOW
	CATALOG NO.	COLOR

COMMSCOPE, INC.			
DRAFTER NOEL RIVERA	TITLE FGS, EXP EXT 2X4, INSTALLATION DWG		
ENGINEER RUBEN ARVILLA	SIZE A2	SCALE 0.188	DOCUMENT NO. 660001245
CUSTOMER DRAWING			REVISION F
			SHEET 1 OF 3



**LOW PROFILE EXPRESS
EXIT INSTALLATION
4X6 STRAIGHT SECTION**
SCALE 0.438



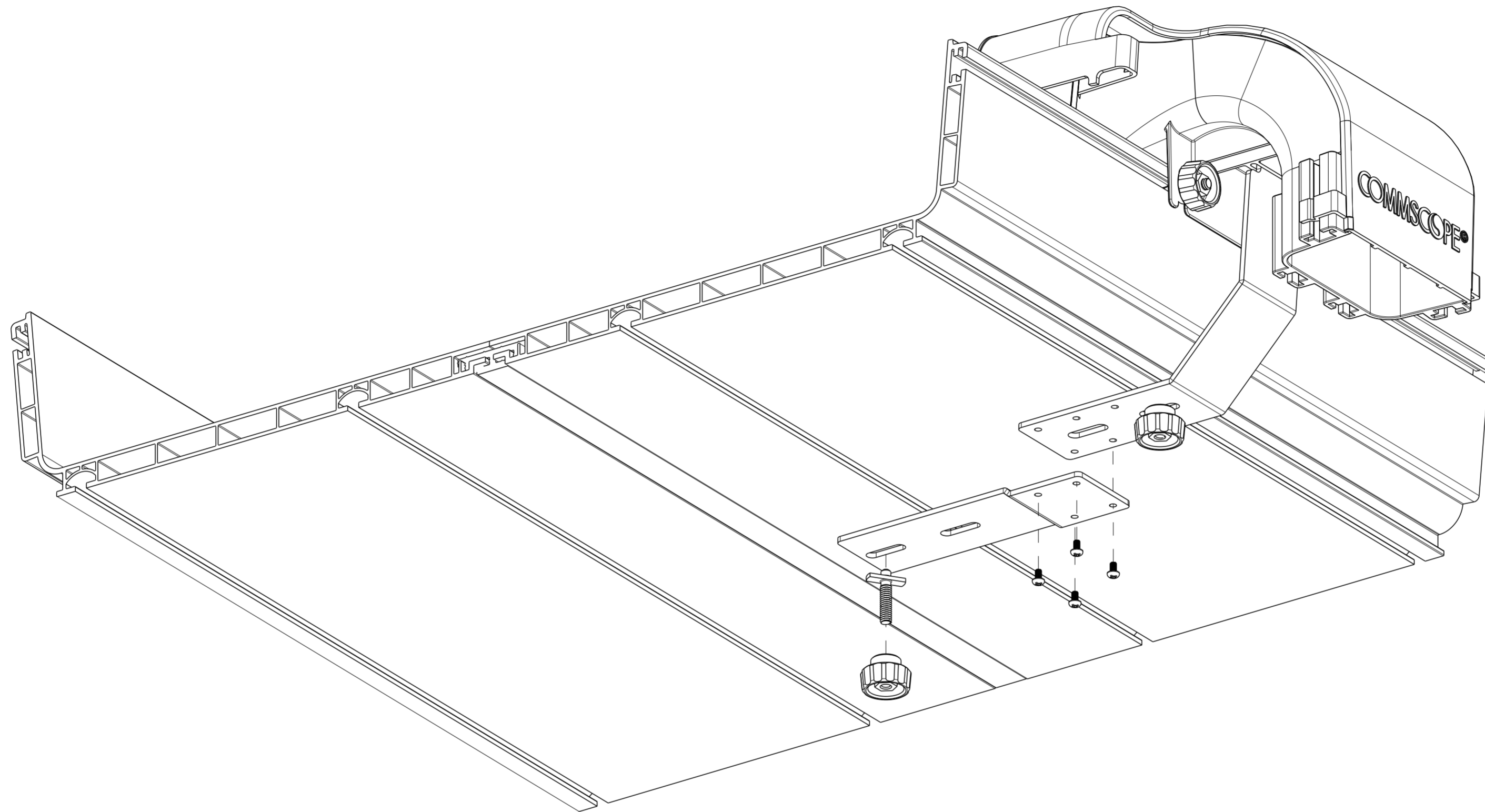
**LOW PROFILE EXPRESS
EXIT INSTALLATION
4X12 STRAIGHT SECTION**
SCALE 0.438

INSTALLATION INSTRUCTIONS:


1. PLACE LOW PROFILE EXPRESS EXIT ON STRAIGHT SECTION AS SHOWN.
2. LIFT ONE END OF LOW PROFILE EXPRESS EXIT AND INSTALL QUICK KNOBS INTO T-SLOT, LOWER EXPRESS EXIT ONTO STRAIGHT SECTION. REPEAT FOR OTHER SIDE. ROTATE QUICK KNOBS CLOCKWISE SUCH THAT T-BOLT FLANGES EXTEND INTO T-SOLT. LOSSELY HAND TIGHTEN QUICK KNOBS.

*WARNING: IF LOW PROFILE EXPRESS EXIT IS REMOVED FROM STRAIGHT SECTION WHILE QUICK KNOBS ARE INSTALLED, QUICK KNOBS WILL FALL OUT.
3. ATTACH EXTENSION BRACKET TO LOW PROFILE EXPRESS EXIT BRACKET USING 6-32 X .25 LONG SCREWS. (4X6, 4X12, 4X18 AND 4X24 STRIGHT SECTIONS ONLY)
4. INSERT QUICK KNOBS THROUGH BRACKET, ROTATE 90 AND INTO T-SLOT IN STRAIGHT SECTION WHILE INSERTING INTO SLOT ON THE LOW PROFILE EXPRESS EXIT. ROTATE QIUCK KNOBS CLOCKWISE SUCH THAT T-BOLT FLANGES EXTEND INTO T-SLOT.
5. TIGHEN (4) QUICK KNOBS COMPLETELY.
6. EXPRESS EXIT COVER NOT INCLUDED FOR THIS KIT.

COMMSCOPE, INC.			
DRAFTER NOEL RIVERA		TITLE FGS, EXP EXT 2X4, INSTALLATION DWG	
ENGINEER RUBEN ARVILLA	SIZE A2	SCALE 0.188	DOCUMENT NO. 660001245
CUSTOMER DRAWING			REVISION F
			SHEET 2 OF 3



LOW PROFILE EXPRESS
EXIT INSTALLATION
4X24 STRAIGHT SECTION

COMMSCOPE, INC.					
DRAFTER NOEL RIVERA	TITLE FGS, EXP EXT 2X4, INSTALLATION DWG				
ENGINEER RUBEN ARVILLA	SIZE A2	SCALE 0.450	DOCUMENT NO. 660001245		
		CUSTOMER DRAWING	<table border="1"> <tr> <td>REVISION F</td> <td>SHEET 3 OF 3</td> </tr> </table>	REVISION F	SHEET 3 OF 3
REVISION F	SHEET 3 OF 3				