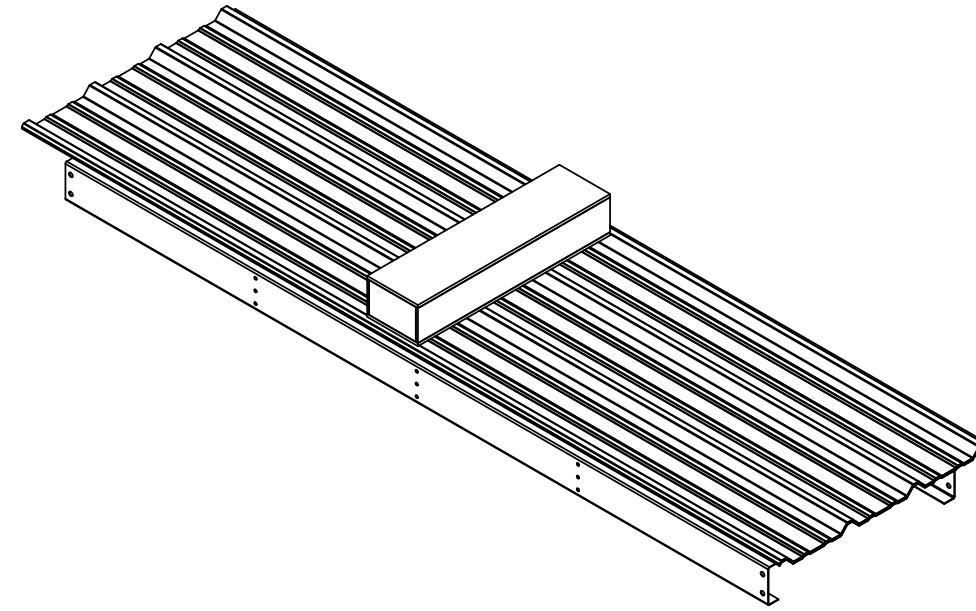


NOTES: 1.0 CUSTOMER ASSEMBLY SHEETS 2-5.

REVISIONS				
REV.	ECN	DESCRIPTION	BY	DATE
A	8000014892	INITIAL RELEASE	MSM	06/27/16
B	8000014953	REDESIGN FOR HEAVIER SNOW LOAD	MSM	07/11/16
C	8000015157	INCREASE WIDTH 2" PER CUSTOMER	MSM	07/14/16
D	8000020505	UPDATE DESIGN AND ROOF STRUCTURE	DRR	02/23/17



ITEM	PART NO.	DESCRIPTION	QTY.	WEIGHT	NOTE NO.
1	MTC38641215HK	HARDWARE KIT FOR MTC38641215	1	76.01 LBS	
2	MTC386413	OUTER CHANNEL, ROOF SUPPORT 11 GA	2	66.24 LBS	
3	MTC386433	OUTER CHANNEL, 11 GA, 6" X 2"	4	40.38 LBS	
4	MTC386476	CANOPY CENTER CHANNEL, 11 GA, 4 X 2	10	18.85 LBS	
5	MTC386481	LEG, UPRIGHT WELDMENT	6	56.93 LBS	
6	RDR2636138	ROOF DECKING PBR 26 GA 36" X 138"	5	33.97 LBS	

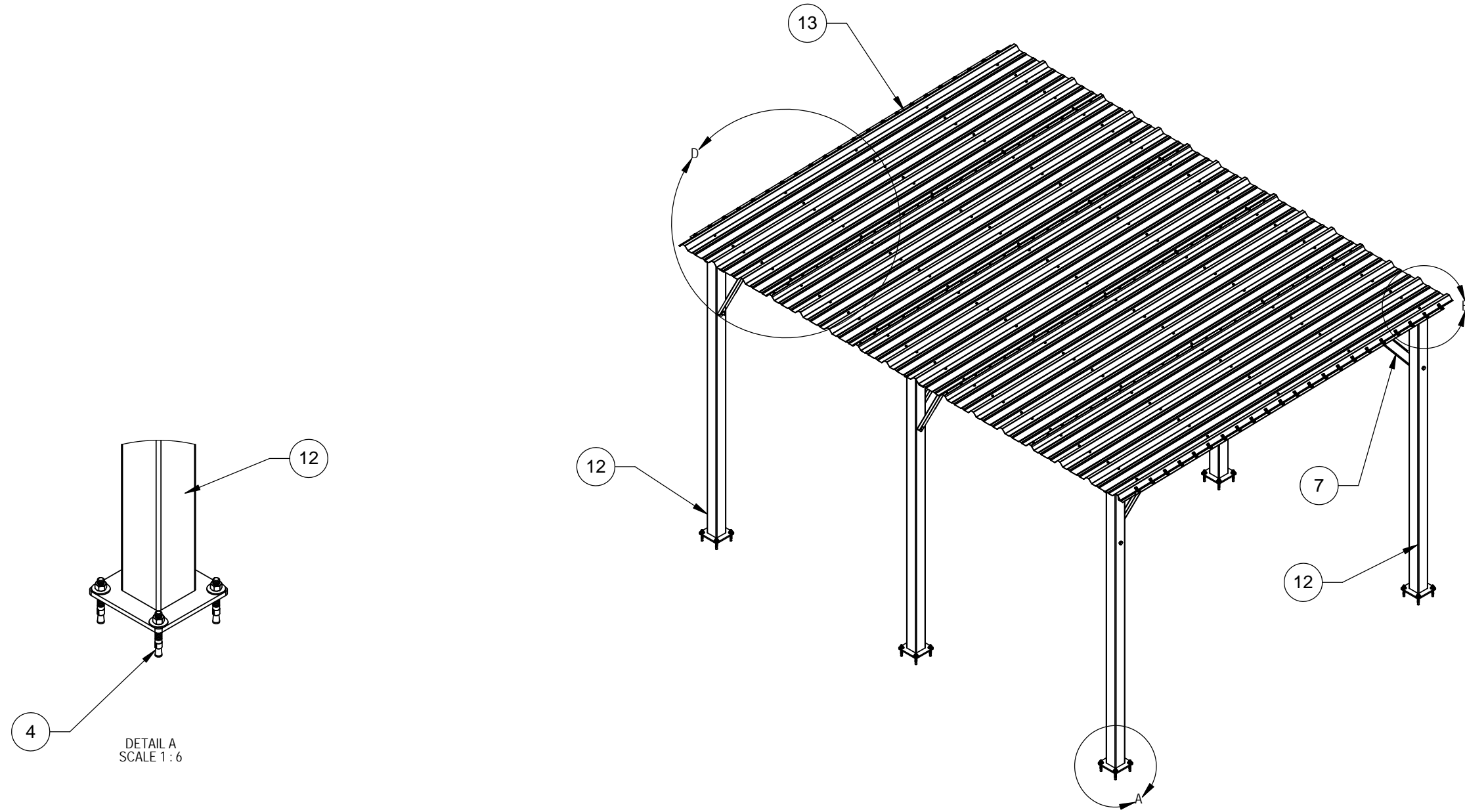


COMMSCOPE, INC. OF NORTH CAROLINA

TOLERANCES		SAP MATERIAL MASTER	
0 PLACE X ± .25	2 PLACE .XX ± .06	MTC38641215	
1 PLACE .X ± .12	ANGLES ± 2°		
FINISH		MATERIAL	
GALV A123		A36, A500	
NAME		DATE	
CE	MSM	06/27/16	
RW			
RV			
AD			
RE	TP	06/27/16	
ECN	8000014892	SCALE	DOCUMENT NO.
		1:16	MTC38641215
SIZE	WORK AREA	MODEL	DRAWING
C		VERSION	STATUS
		REVISION	REVISION
		VERSION	STATUS
		REVISION	REVISION
			D
			SHEET
			1 OF 4

DENSITY	0.24	lbs/in ³
MASS	1070.01	lbs
VOLUME	4367.64	in ³
SURFACE AREA		in ²
HEIGHT		
LENGTH		
WIDTH		

NOTES: 1.0 ALL METRIC DIMENSIONS ARE IN BRACKETS.]



ITEM	PART NO.	DESCRIPTION	QTY.	WEIGHT	NOTE NO.
1	GB-03105	3/8" X 1" GALV BOLT KIT	52	0.05 LBS	
2	GB-05145	5/8" X 1-1/2" GALV BOLT KIT	8	0.22 LBS	
3	GB-05545	5/8" X 5-1/2" GALV BOLT KIT	12	0.56 LBS	
4	MT-271	1/2" ANCHOR BOLT	24	0.25 LBS	
5	MTC371531	1/4-14X7/8 SELF DRILLING HEX HEAD LAP SCREW	136	0.02 LBS	
6	MTC3799C26	CLIP, RDR PANEL	44	0.05 LBS	
7	MTC3813C14	CANOPY BRACE, 11 GA, 30"	8	4.18 LBS	
8	MTC386413	OUTER CHANNEL, ROOF SUPPORT 11 GA	2	66.24 LBS	
9	MTC386418	BRACKET, EDGE ROOF SUPPORT	6	0.69 LBS	
10	MTC386433	OUTER CHANNEL, 11 GA, 6" X 2"	4	40.38 LBS	
11	MTC386476	CANOPY CENTER CHANNEL, 11 GA, 4 X 2	10	18.85 LBS	
12	MTC386481	LEG, UPRIGHT WELDMENT	6	56.93 LBS	
13	RDR2636138	ROOF DECKING PBR 26 GA 36" X 138"	5	33.97 LBS	
14	TS1275	TEK SCREW #12 X 3/4, WITH NEOPRENE WASHER	194	0.02 LBS	

△ D

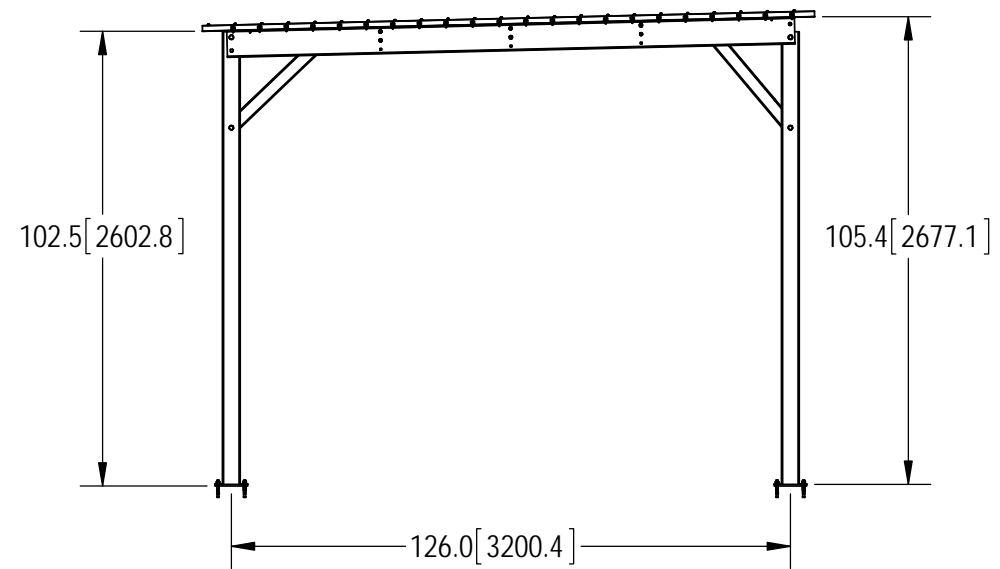
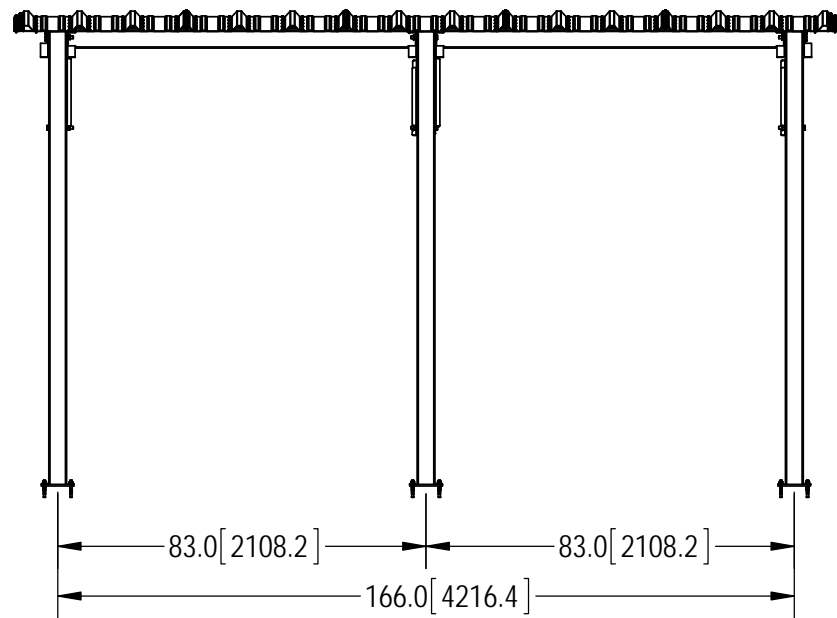
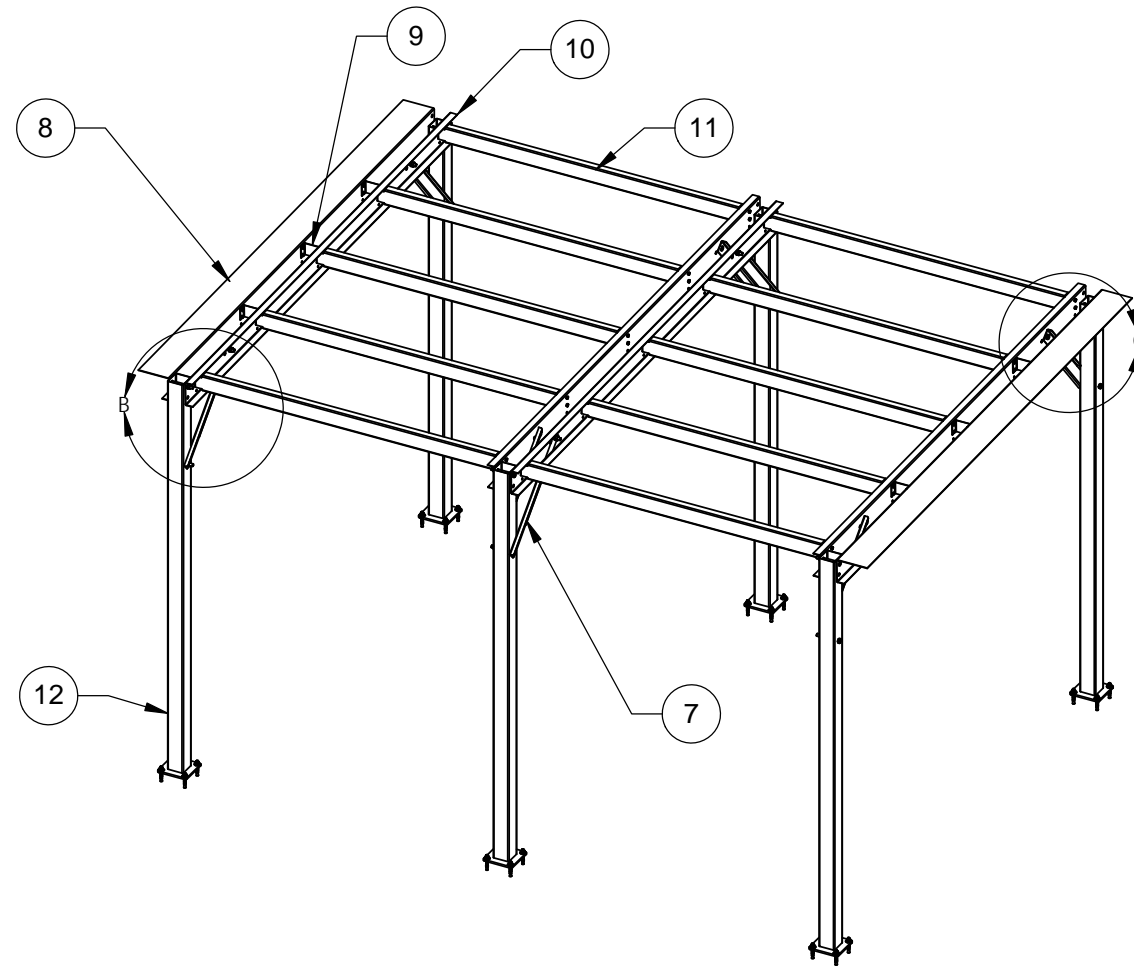
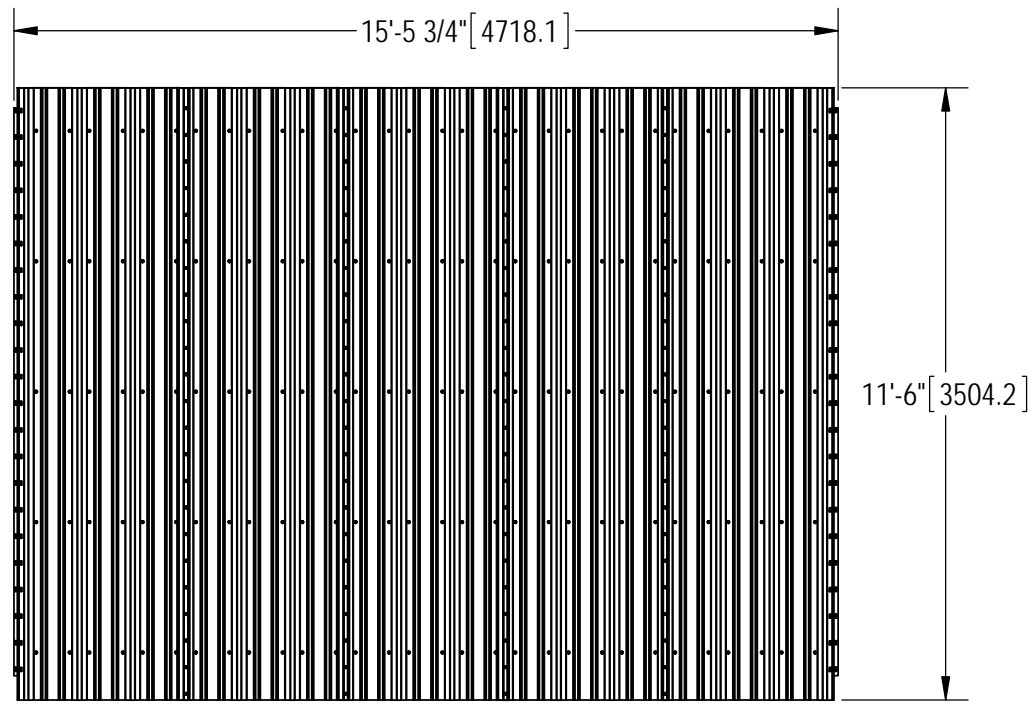
△ D

△ D

COMMSCOPE, INC. OF NORTH CAROLINA			
TITLE			
CANOPY 12 X 15			
SIZE	SCALE	DOCUMENT NO.	
C	1:24	MTC38641215	
DRAWING			SHEET
VERSION	STATUS	REVISION	2 OF 4
		D	

© 2015 CommScope, Inc. Confidential

NOTES:



COMMSCOPE, INC. OF NORTH CAROLINA

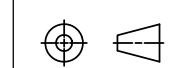
TITLE

CANOPY 12 X 15

SIZE
C

SCALE
1:28

DOCUMENT NO.
MTC38641215

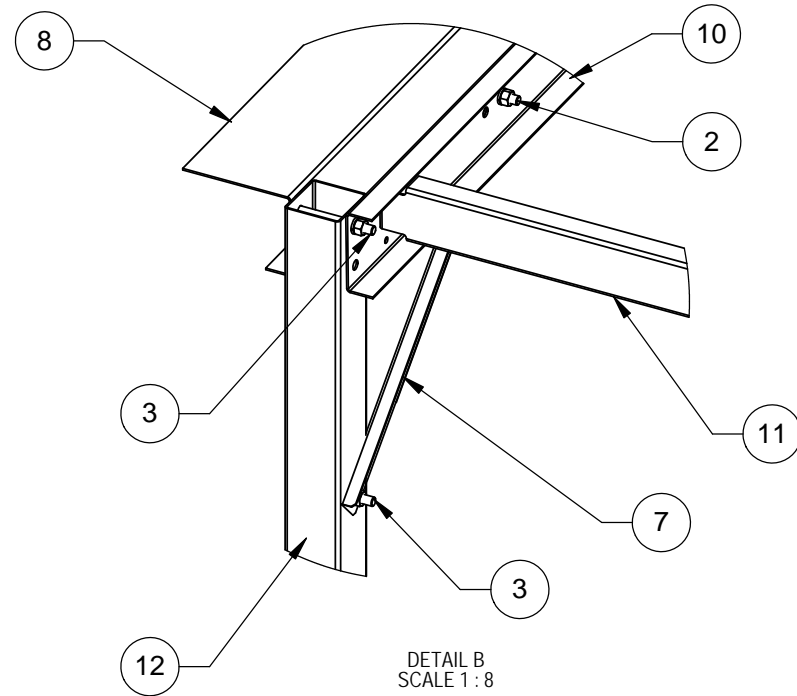


DRAWING		
VERSION	STATUS	REVISION
		D

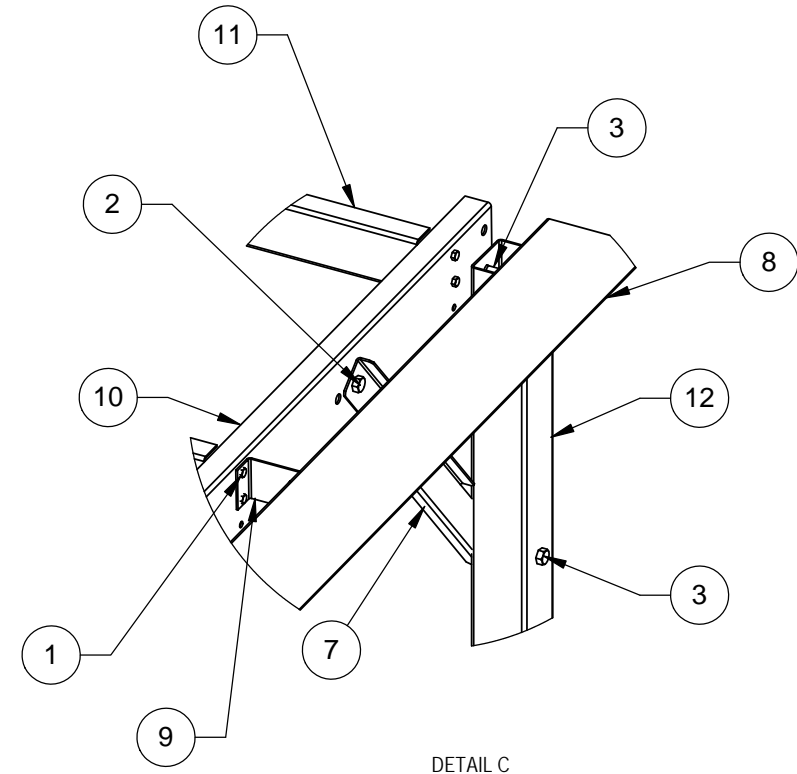
SHEET
3 OF 4

© 2015 CommScope, Inc. Confidential

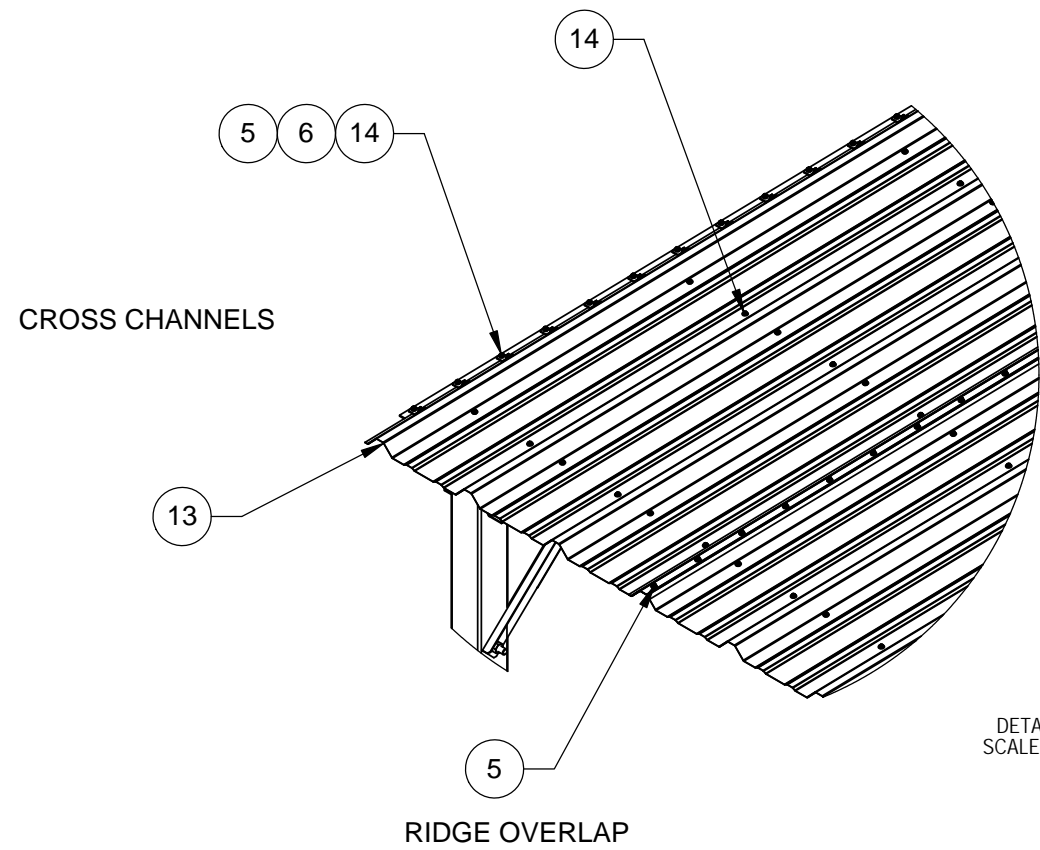
NOTES:



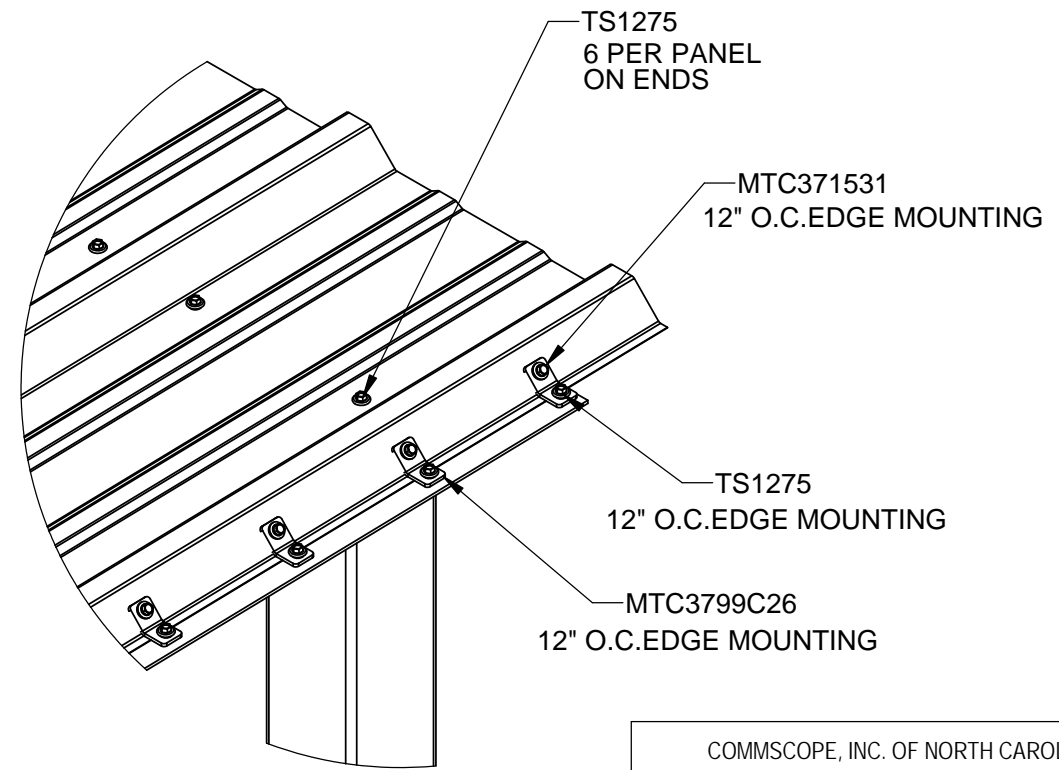
DETAIL B
SCALE 1:8
FRONT POST MOUNTING



DETAIL C
SCALE 1:8
BACK POST MOUNTING



DETAIL D
SCALE 1:12
RIDGE OVERLAP



DETAIL E
SCALE 1:4

COMMScope, INC. OF NORTH CAROLINA			
TITLE CANOPY 12 X 15			
SIZE C	SCALE 1:24	DOCUMENT NO. MTC38641215	
DRAWING			SHEET
VERSION	STATUS	REVISION	4 OF 4
		D	