

4

3

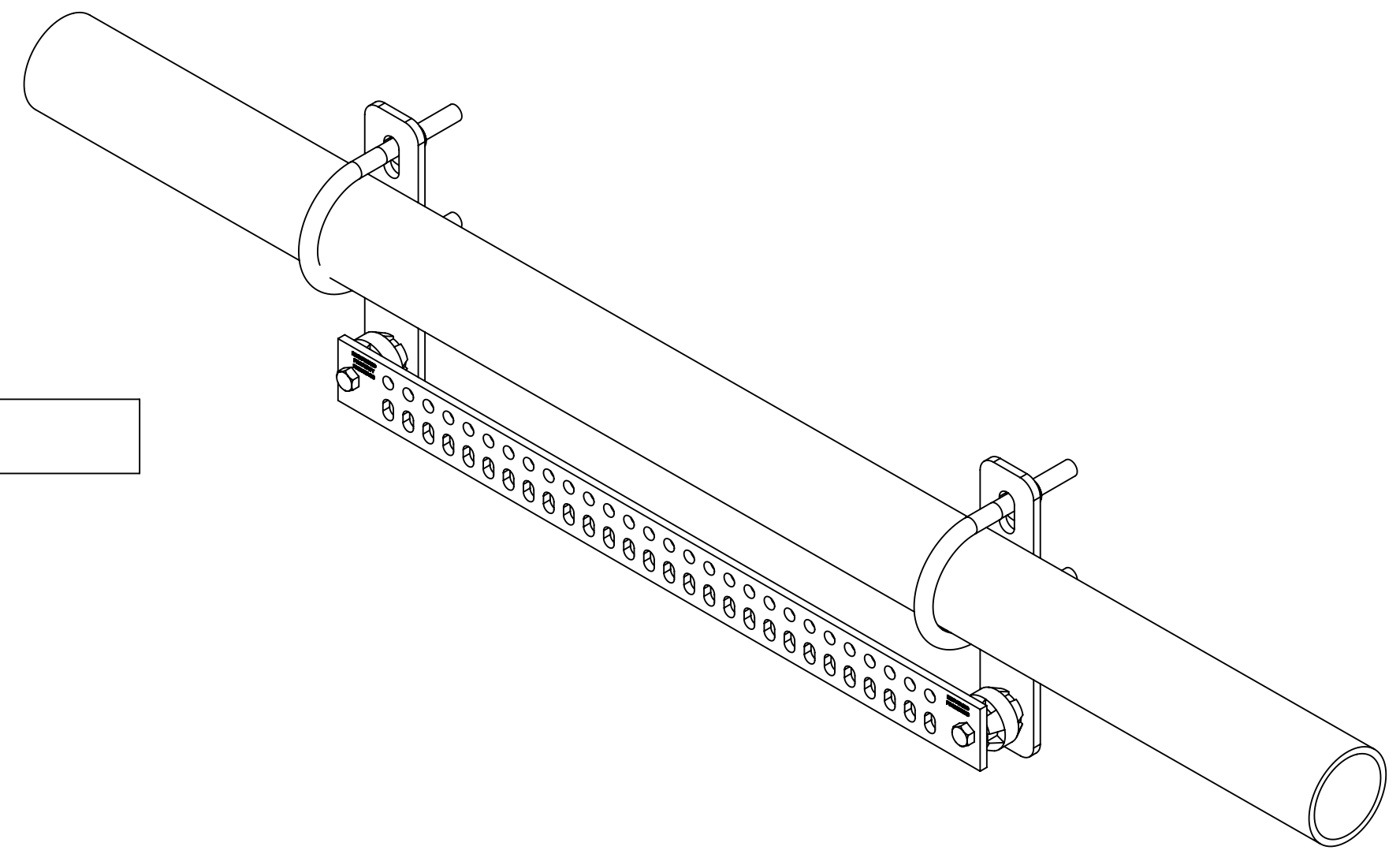
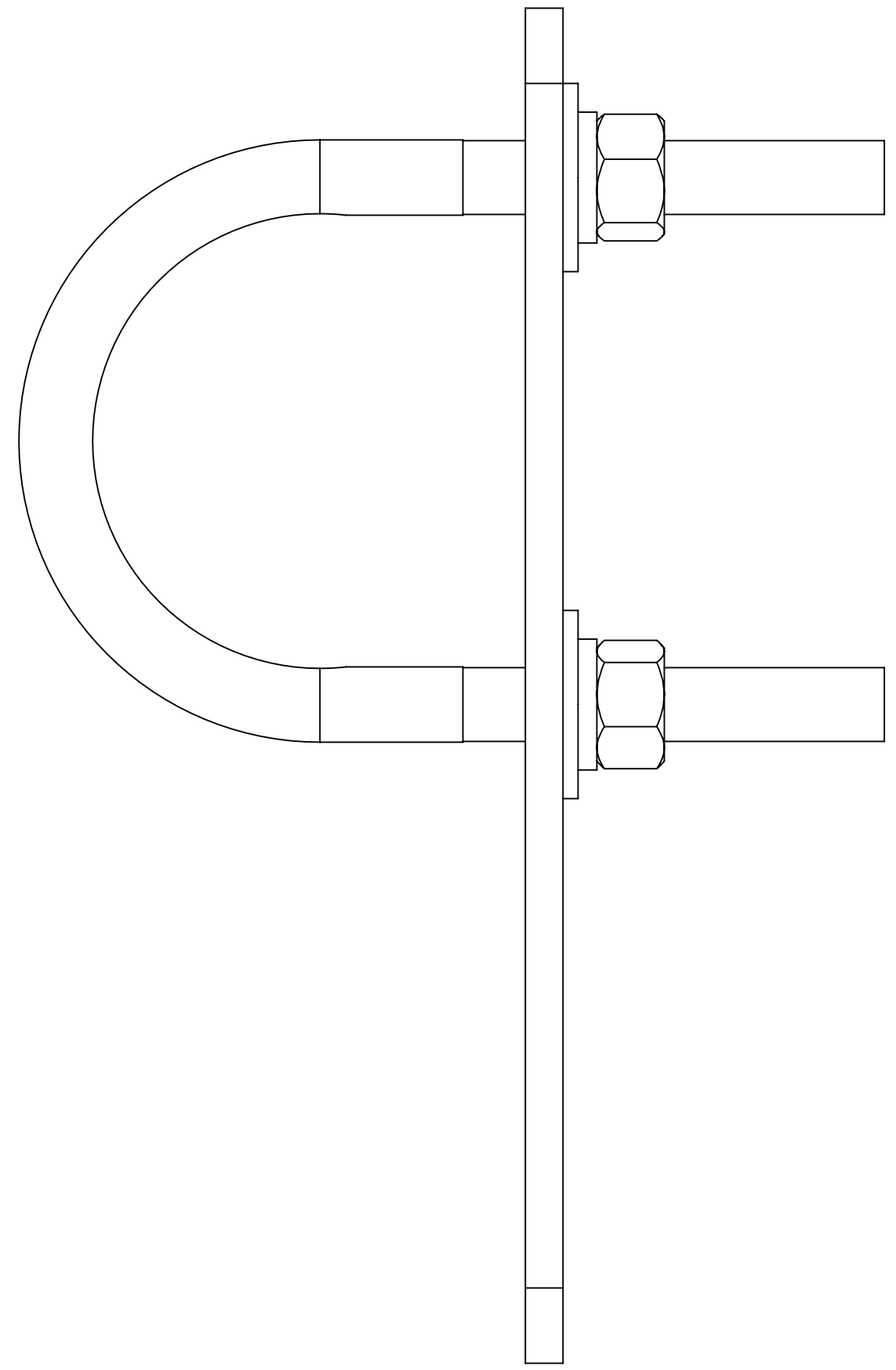
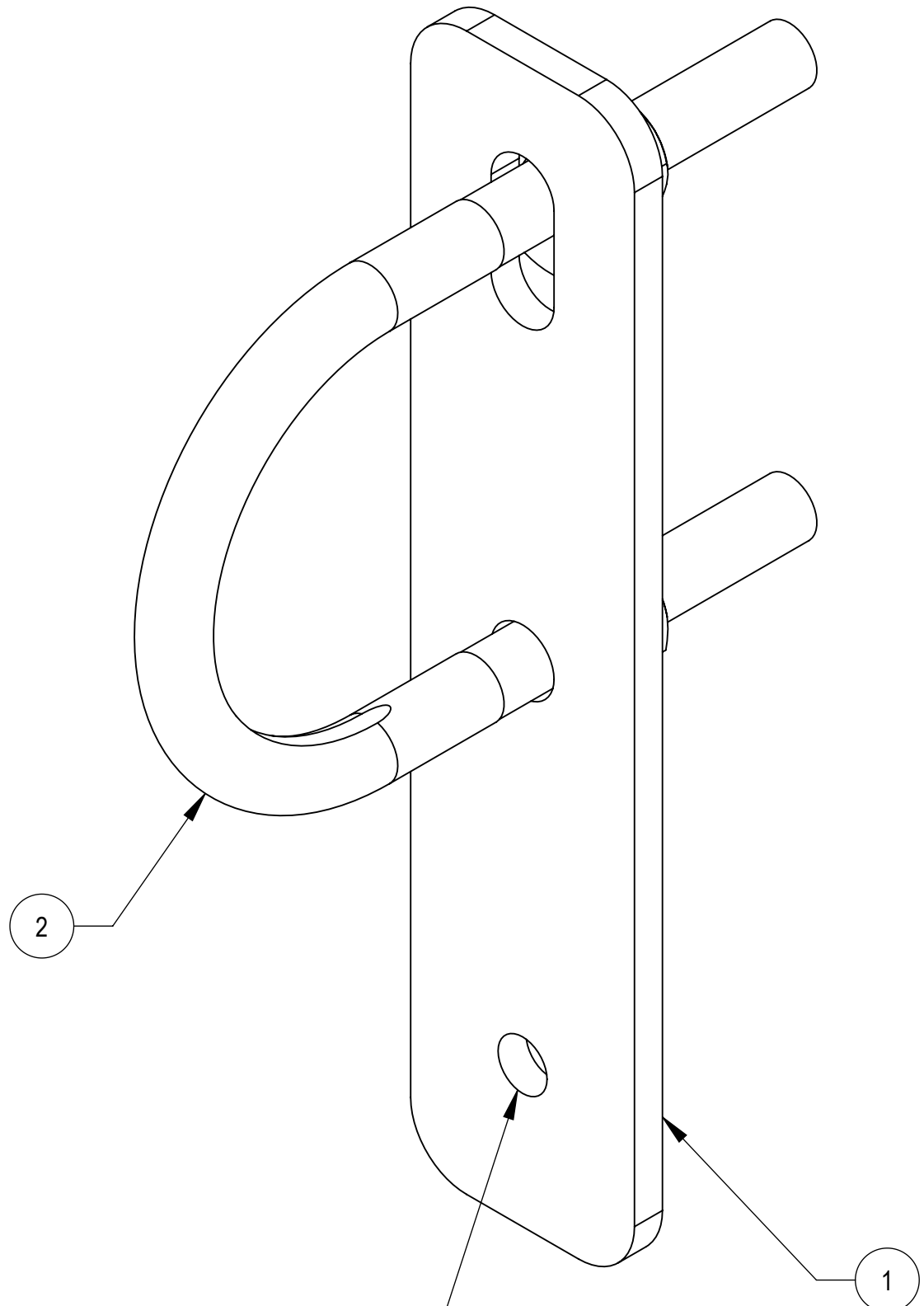
2

1

NOTES:

- 1.0 GENERAL
 - 1.1 ALL METRIC DIMENSIONS ARE IN BRACKETS
 - 1.2 FOR PATENTS, SEE WWW.CS-PAT.COM
- 2.0 DESIGN NOTES
- 3.0 MANUFACTURING/SPECIAL REQUIREMENTS
- 4.0 TEST
- 5.0 PACKAGING

REVISIONS				
REV.	ECN	DESCRIPTION	BY	DATE
A	8000037628	INITIAL RELEASE	EST081	10/01/19



COMPONENTS SUCH AS BUSS BAR, PIPE, AND ISOLATORS ARE SHOWN ONLY FOR REFERENCE AND ARE NOT INCLUDED

FOR USE WITH 3/8" HARDWARE

ITEM	PART NO.	DESCRIPTION	QTY.
1	GBSF100-00	BUSS BAR MOUNT PLATE	2
2	GUB-4352	1/2" X 3" X 5-1/4" GALV U-BOLT	2

DENSITY		lbs/in ³
MASS	3.97	lbs
VOLUME	13.97	in ³
SURFACE AREA	134.41	in ²
HEIGHT	9	
LENGTH	5	
WIDTH	2	

COMMSCOPE, INC. OF NORTH CAROLINA										
TOLERANCES					SAP MATERIAL MASTER					
1 PLACE .X ± .25			3 PLACE .XXX ± 0.06		GBSF278					
2 PLACE .XX ± 0.12			ANGLES ± 2°							
FINISH GALV A123					MATERIAL A1011/A1018					
UNLESS OTHERWISE SPECIFIED DIMENSIONS ARE IN INCHES INTERPRET PER ANSI Y 14.5M-1994	CE	NAME	DATE	TITLE						
	RW	EST081	10/02/2019	BUSS BAR MOUNT KIT 2.78" PIPE						
	RV									
	AD	MC1107	10/03/2019							
	RE	FA1024	10/03/2019							
ECN 008000037628				SCALE	DOCUMENT NO.					
				1:2		GBSF278				
SIZE	WORK AREA	24		MODEL			DRAWING			SHEET 1 OF 1
C			VERSION	STATUS	REVISION	VERSION	STATUS	REVISION		
			00	RE	A	00	RE	A		