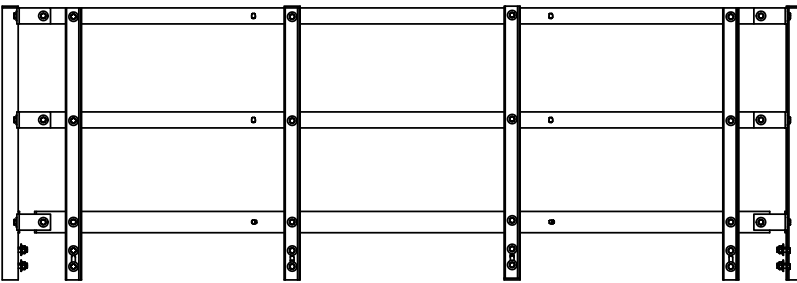
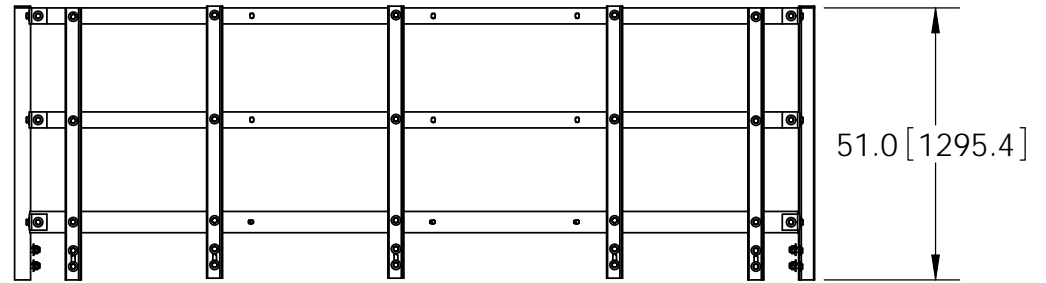
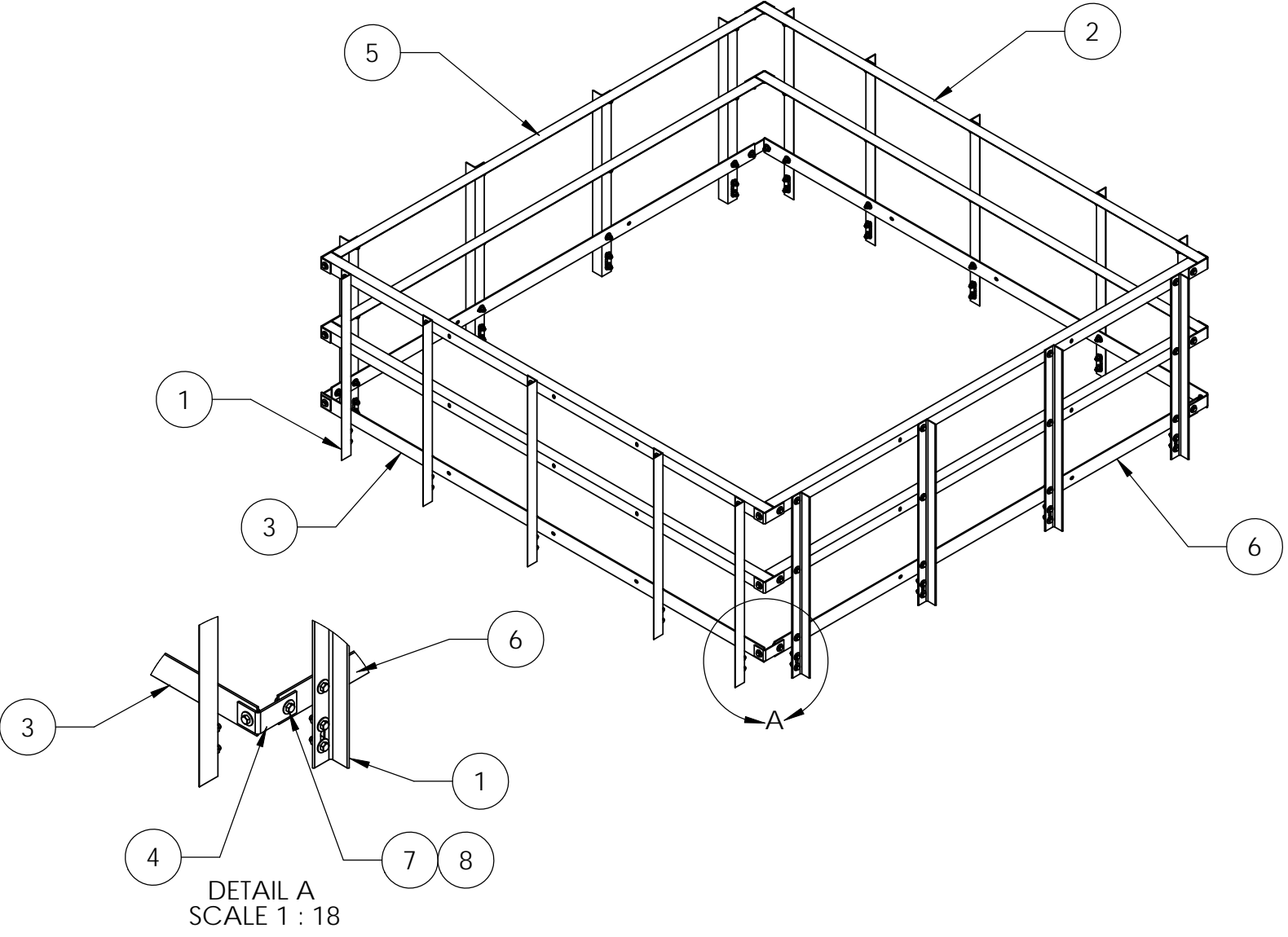
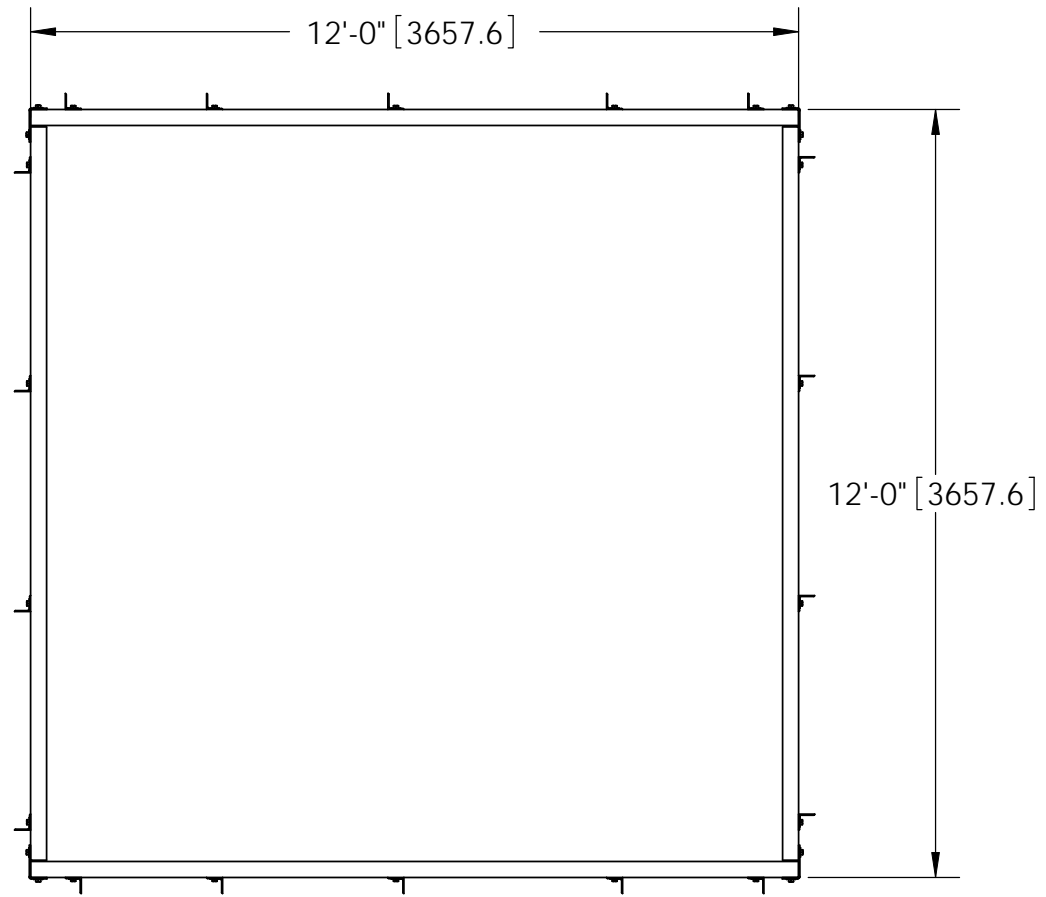



ITEM	PART NO.	DESCRIPTION	QTY.	WEIGHT
1	EQHR01	HANDRAIL POST	18	15.54 LBS
2	MTC79021012.01	12' SIDE HANDRAIL	4	44.15 LBS
3	MTC79021012.02	12' SIDE TOEBOARD	2	40.17 LBS
4	MTC7902.08	HANDRAIL ANGLE CLIP	12	1.87 LBS
5	EQHR121601	12' END HANDRAIL	4	42.21 LBS
6	EQHR121602	12' END TOEBOARD	2	38.42 LBS
7	GB-05205	5/8" X 2" GALV BOLT KIT	114	0.27 LBS
8	GWF-05	5/8" GALV FLAT WASHER	228	0.06 LBS

REVISIONS				
REV.	ZONE	DESCRIPTION	BY	DATE
A		INITIAL RELEASE	MSM	02/13/12



NOTES:
1. ALL METRIC DIMENSIONS ARE IN BRACKETS.

<p>These drawings and specifications are the proprietary property of CommScope Inc. and may be used only for the specific purpose authorized in writing by CommScope Inc.</p> <p>ALL DIMENSIONS ARE IN INCHES U.O.S. TOLERANCES UNLESS OTHERWISE SPECIFIED: .X = ± .12 ANGLES ±2° .XX = ± .06 FRACTIONS ±1/32 .XXX = ± .03</p> <p>REMOVE BURRS AND BREAK EDGES .005</p> <p>DO NOT SCALE THIS PRINT</p>	DRAWN BY: MSM	SHEET: 1 of 1	PART NUMBER: EQ-HR1212
	CHECKED BY: TP	SCALE: NTS	DESCRIPTION: 12' X 12' PLATFORM HANDRAIL
	DATE: 02/13/12	MATERIAL: A36, A529	DRAWING TYPE: ASSEMBLY DRAWING
	REVISION: A	FINISH: GALV A123	 WESTCHESTER, IL. 60154 U.S.A.
	WEIGHT: 860.01		