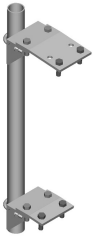


# PM-238T-48

---



Adjustable Tapered Pipe Mount, 2-3/8 in OD x 48 in

## Product Classification

**Product Type** Pipe mount

## General Specifications

**Mounting** Saddle mounts

**Note** One 96 in x 8 in panel antenna per pipe mount

**Pipe, quantity** 1

**Tower Taper** Tapered

## Dimensions

**Height** 1,219.2 mm | 48 in

**Width** 152.4 mm | 6 in

**Length** 152.4 mm | 6 in

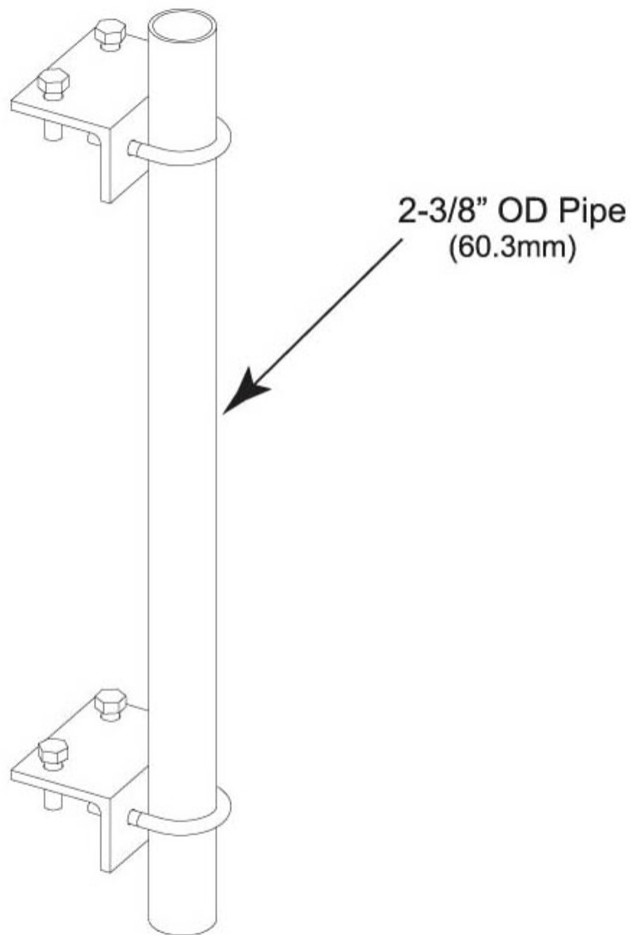
**Pipe Length** 1,219.2 mm | 48 in

**Pipe Outer Diameter** 60.96 mm | 2.4 in

# PM-238T-48

---

## Outline Drawing



## Material Specifications

**Material Type** Hot dip galvanized steel

## Mechanical Specifications

**Wind Rating** 120 mph (BWS) at 150 ft AGL

**Wind Rating Test Method** TIA/EIA-222

## Packaging and Weights

**Included** Brackets | Hardware | Pipe

**Packaging quantity** 1

# PM-238T-48

---

**Weight, net**

6.4 kg | 14.11 lb

## Regulatory Compliance/Certifications

**Agency****Classification**

ISO 9001:2015

Designed, manufactured and/or distributed under this quality management system



## Included Products

- MT-650 - Plain End Pipe, 2-3/8 in OD x 48 in .120" A500C 46Ksi
- PM-TK - Pipe Mount Taper Kit

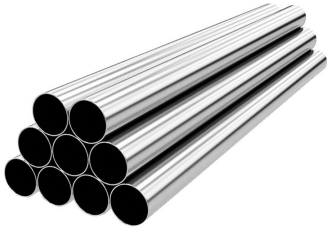
## \* Footnotes

**Wind Rating**

BWS—Base Wind Speed; FBC—Florida Building Code

# MT-650

---



Plain End Pipe, 2-3/8 in OD x 48 in .120" A500C 46Ksi

## Product Classification

**Product Type** Plain end pipe

## General Specifications

**Pipe, quantity** 1

## Dimensions

**Height** 60.96 mm | 2.4 in  
**Width** 60.96 mm | 2.4 in  
**Length** 1,219.2 mm | 48 in  
**Pipe Length** 1,219.2 mm | 48 in  
**Pipe Outer Diameter** 60.96 mm | 2.4 in  
**Material Thickness** 3.048 mm | 0.12 in

## Material Specifications

**Material Type** A500 | Hot dip galvanized steel  
**Material Grade** C  
**Material Strength** 46 kilopounds per square inch

## Packaging and Weights

**Included** Pipe  
**Packaging quantity** 1  
**Weight, net** 5 kg | 11.023 lb

## Regulatory Compliance/Certifications

Agency	Classification
ISO 9001:2015	Designed, manufactured and/or distributed under this quality management system

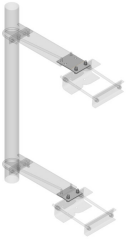
# MT-650

---



# PM-TK

---



## Pipe Mount Taper Kit

### Product Classification

**Product Type** Pipe mount kit

### General Specifications

**Mounting** Saddle mounts

**Tower Taper** Tapered

### Dimensions

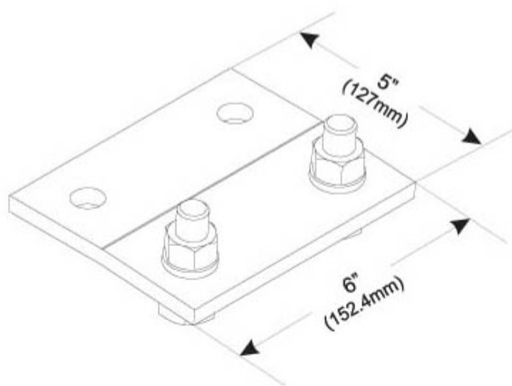
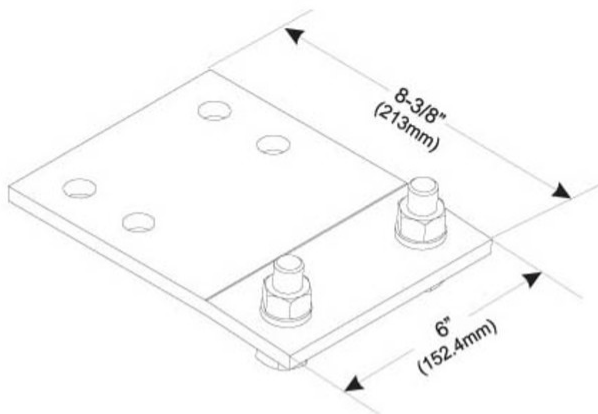
**Height** 25.4 mm | 1 in

**Width** 152.4 mm | 6 in

**Length** 152.4 mm | 6 in

# PM-TK

## Outline Drawing



## Material Specifications

**Material Type** Hot dip galvanized steel

## Packaging and Weights

**Included** Hardware | Plates

**Packaging quantity** 1

**Weight, net** 4.2 kg | 9.259 lb

## Regulatory Compliance/Certifications

**Agency** **Classification**

# PM-TK

---

ISO 9001:2015	Designed, manufactured and/or distributed under this quality management system
REACH-SVHC	Compliant as per SVHC revision on <a href="http://www.commscope.com/ProductCompliance">www.commscope.com/ProductCompliance</a>
ROHS	Compliant
UK-ROHS	Compliant

