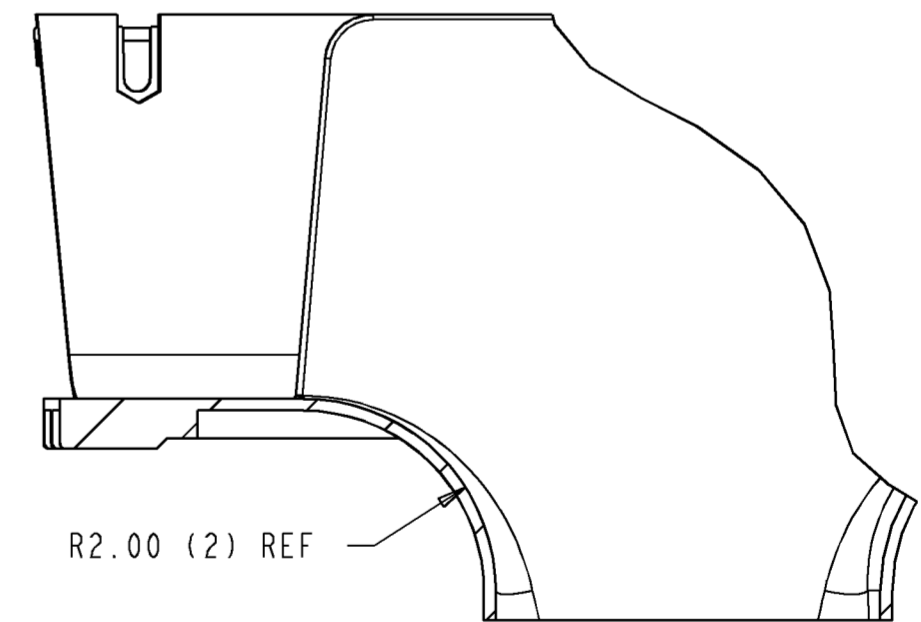
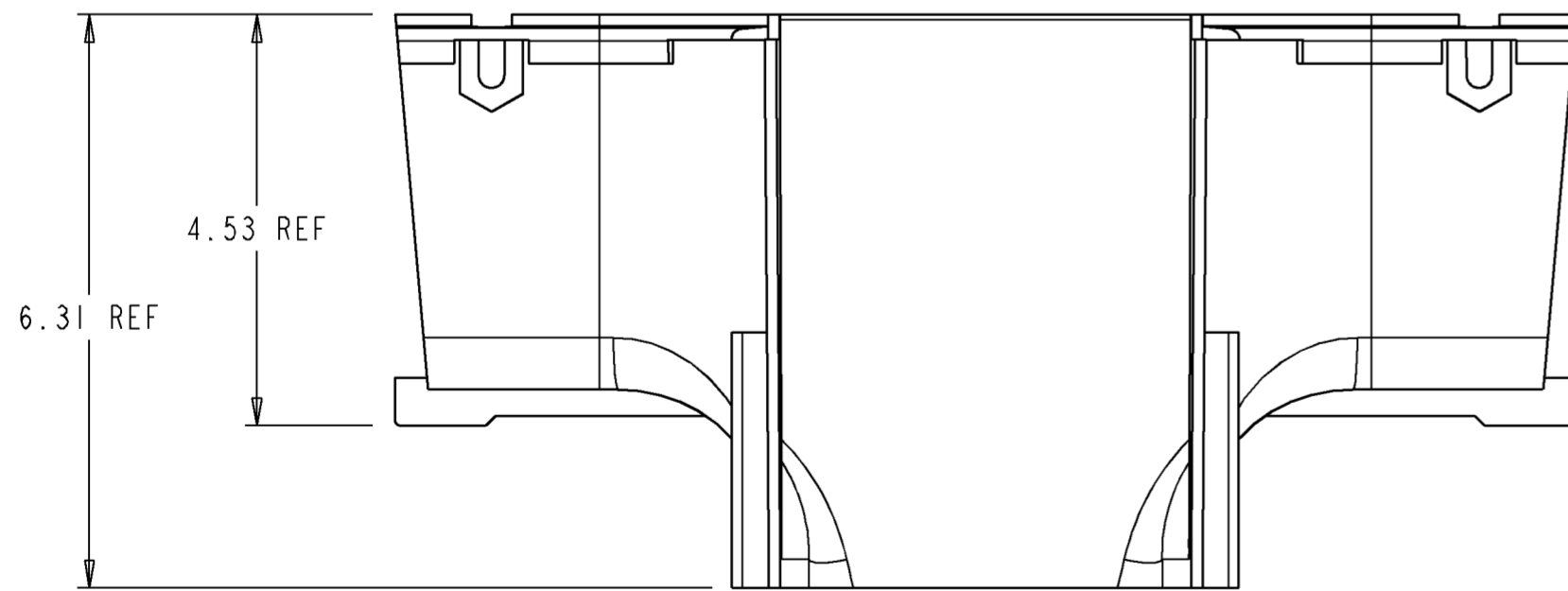
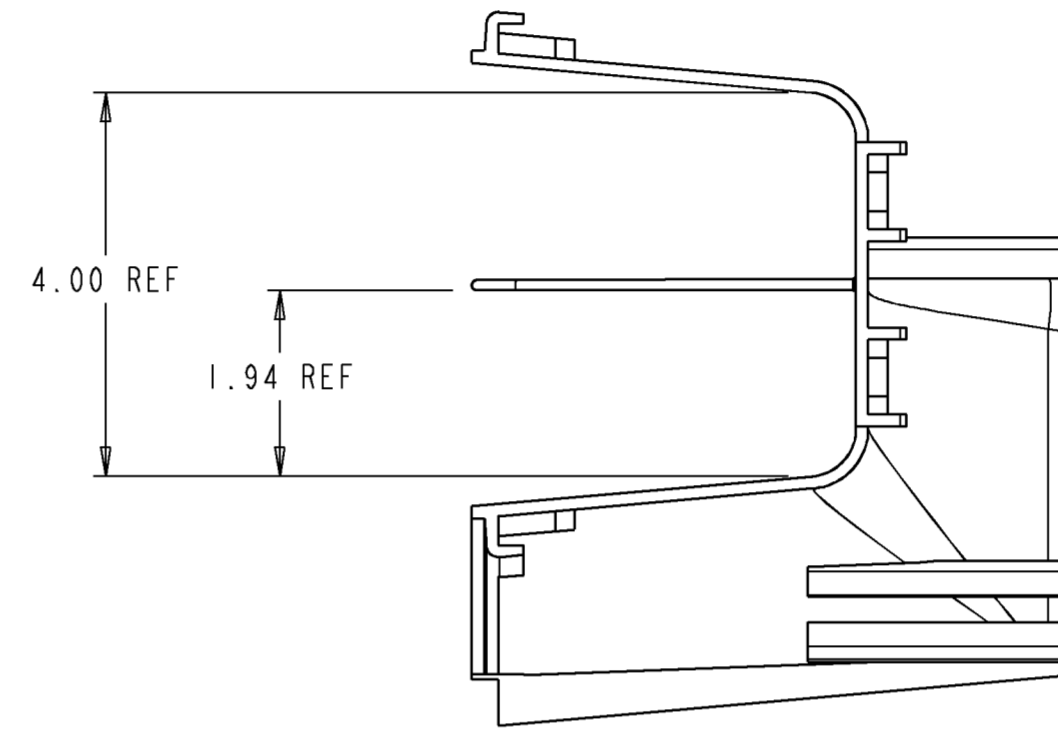
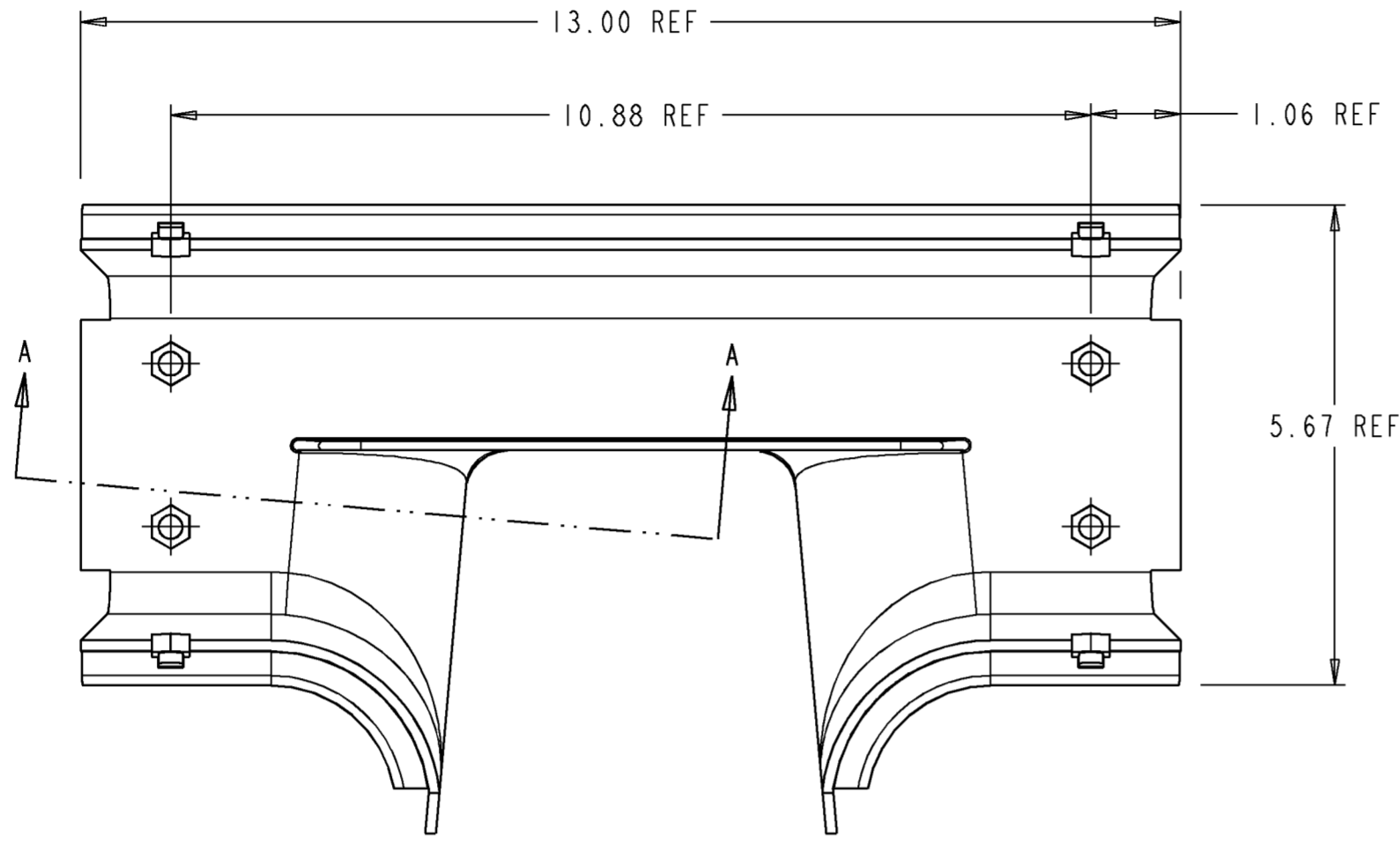


| REV | MCO | DWN | DATE |
|-----|----------|-----|-----------|
| A | 96430 | MV | 02-18-92 |
| C | 20237120 | AED | 03-APR-08 |



SECTION A-A

NOTES:

- MATERIAL IS SELF EXTINGUISHING WITH ALL UL 94 RATING OF V-0.
- DOWNSPOUT EXIT REQUIRES JUNCTION FGS-MJWR-A.
- COVERED BY U.S. PATENT NO. 320,782. ISSUE DATE : OCTOBER 15, 1991.

| | |
|----------------|--------|
| FGSB-MDSP-A | BLACK |
| FGSO-MDSP-A | ORANGE |
| FGS-MDSP-A | YELLOW |
| CATALOG NUMBER | COLOR |



INFORMATION ON THIS DOCUMENT IS PROPRIETARY TO ADC AND SHALL NOT BE USED, COPIED, REPRODUCED OR DISCLOSED IN WHOLE OR IN PART WITHOUT WRITTEN CONSENT OF ADC.

ALL DIMS AND TOLERANCES ARE INCHES UNLESS OTHERWISE SPECIFIED

DO NOT SCALE DRAWING

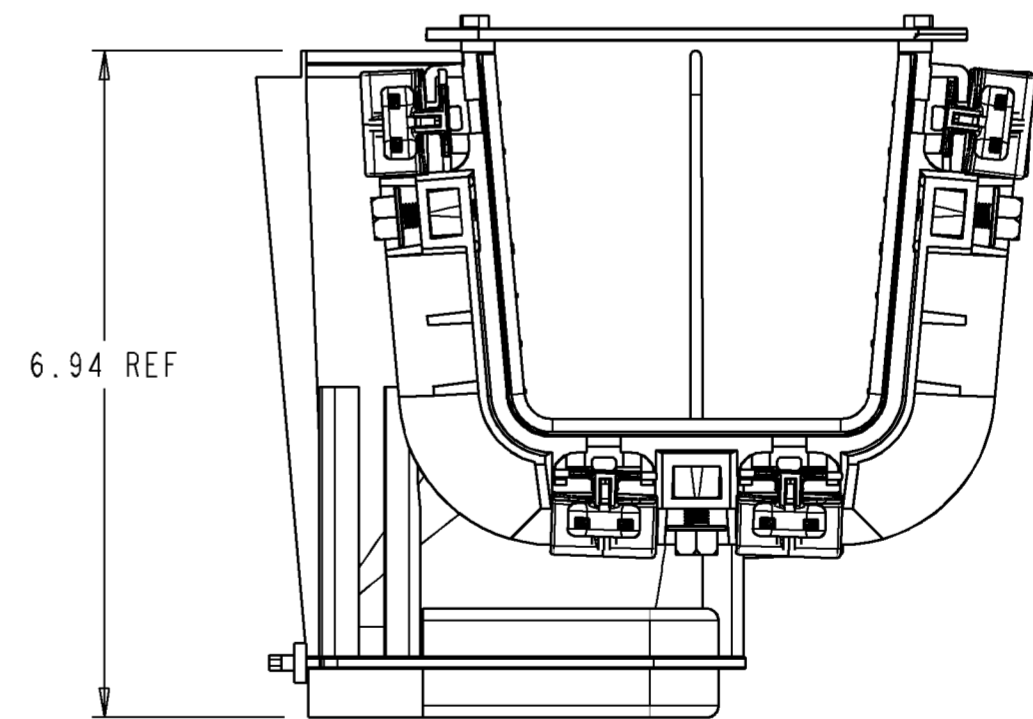
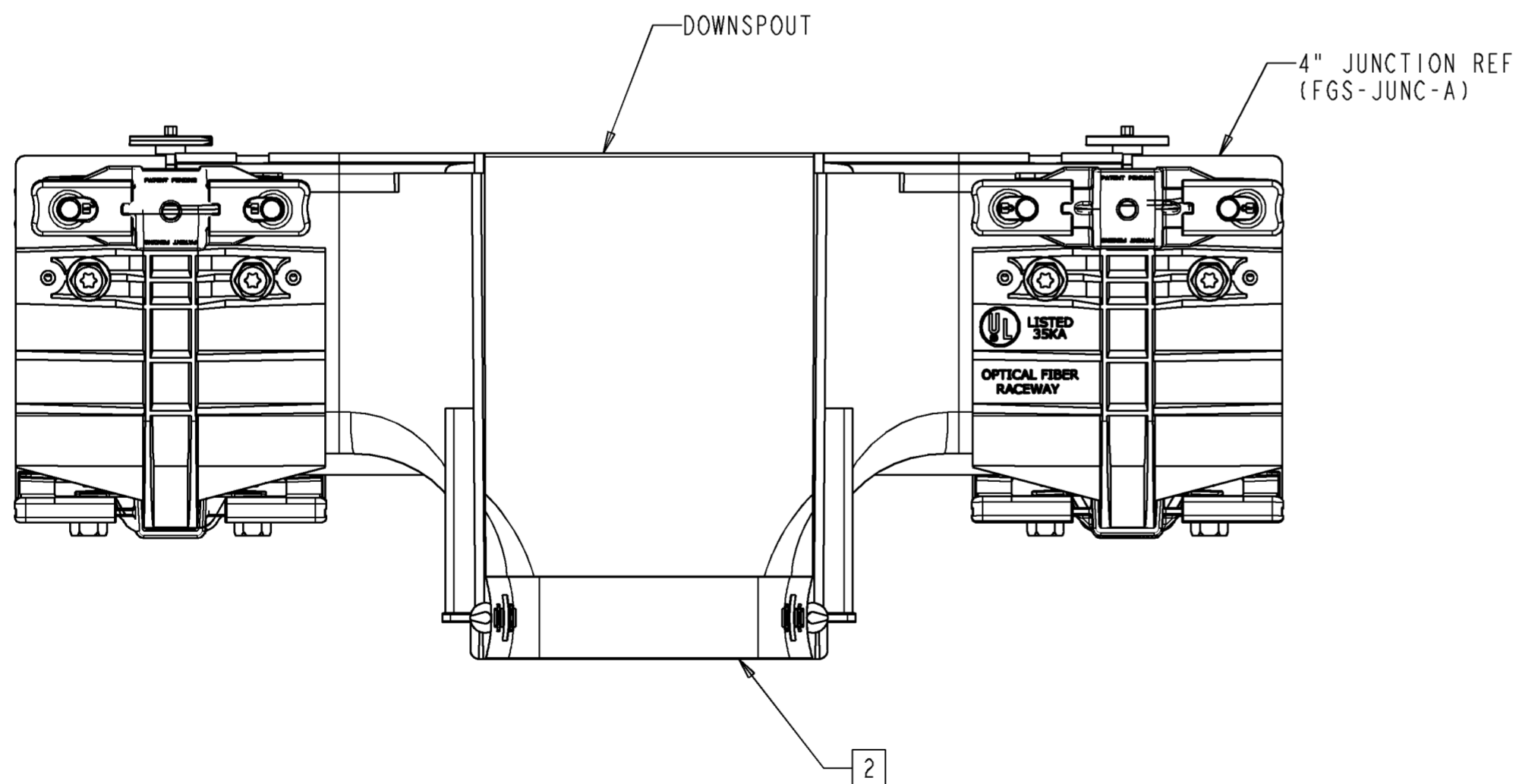
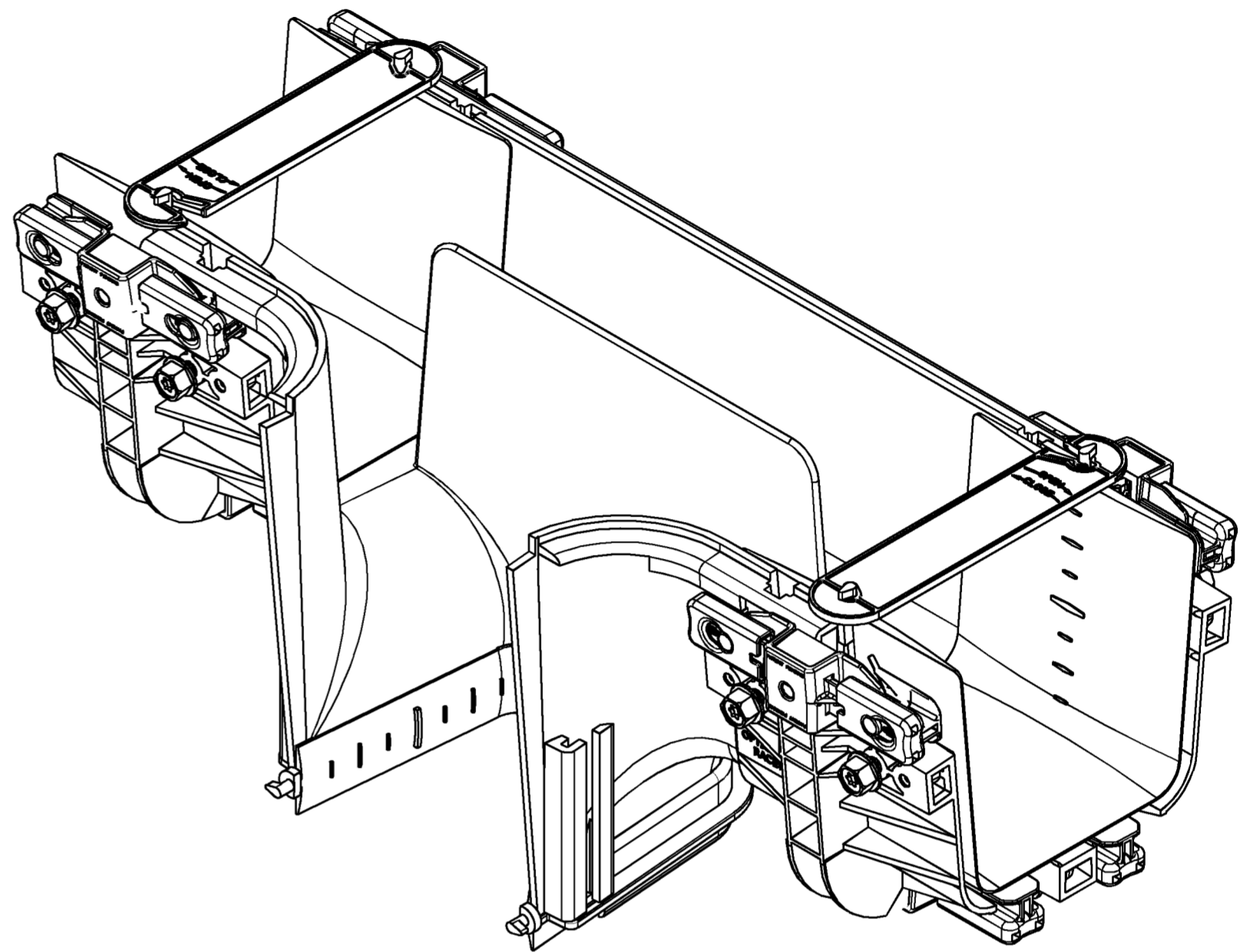
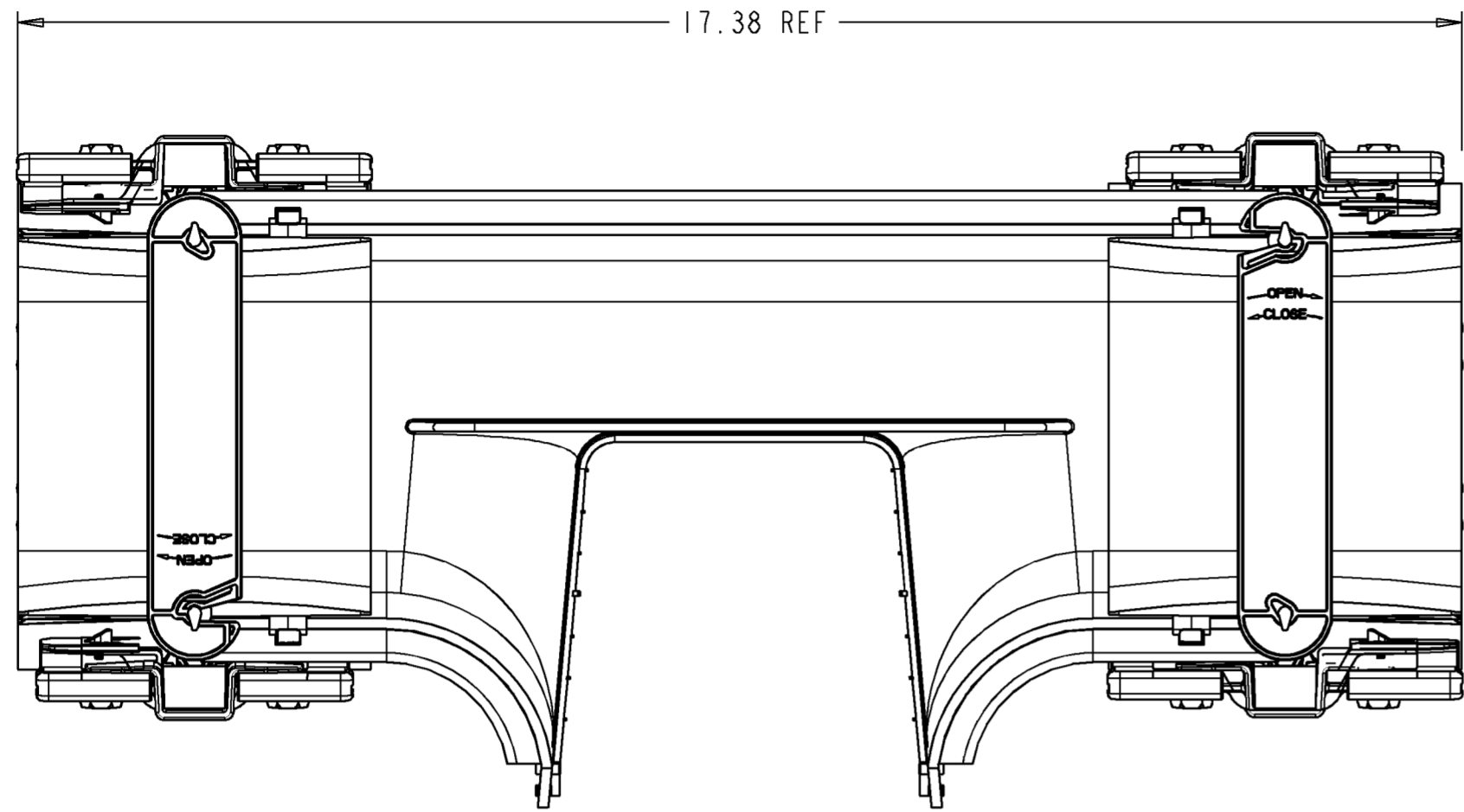
ENGR: T. HAATAJA
DWN: DAN HECKSEL

TITLE
DWNSTPT, 4X4,
4X4EXIT, FGS

DRAWING NUMBER
4-29000-0008

SHT. 1 OF 2

DIMENSIONS IN INCHES
THIRD ANGLE PROJECTION



INFORMATION ON THIS DOCUMENT IS PROPRIETARY TO ADC AND SHALL NOT BE USED, COPIED, REPRODUCED OR DISCLOSED IN WHOLE OR IN PART WITHOUT WRITTEN CONSENT OF ADC.

ALL DIMS AND TOLERANCES ARE INCHES UNLESS OTHERWISE SPECIFIED
 .XX: ±.01
 .XXX: ±.005
 ANGULAR: ±1°

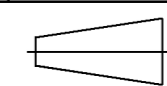
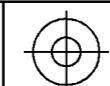
DO NOT SCALE DRAWING

TITLE
 DOWNSPT, 4X4,
 4X4EXIT, FGS

DRAWING NUMBER
 4290000008

ENGR: T. HAATAJA
 DWN: DAN HECKSEL

SHT. 2 OF 2



**DIMENSIONS IN INCHES
 THIRD ANGLE PROJECTION**