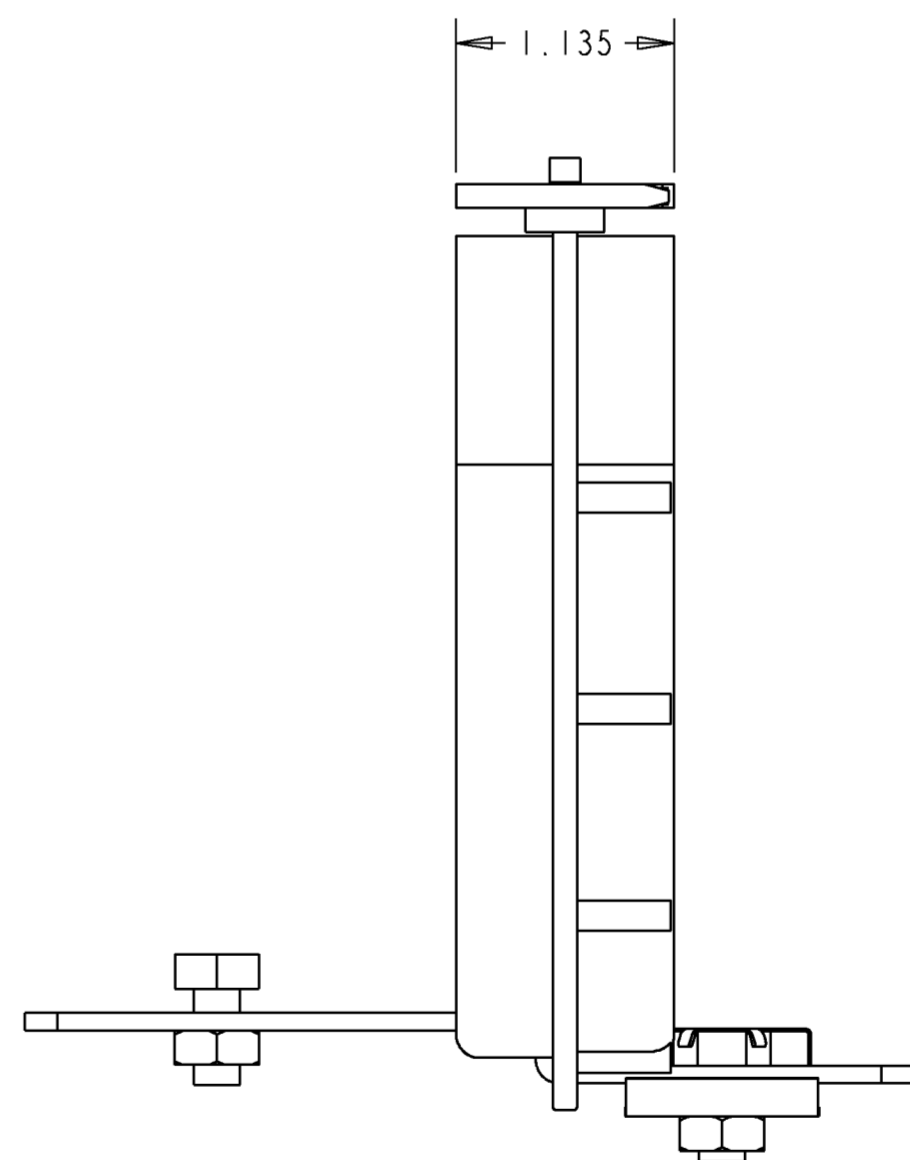
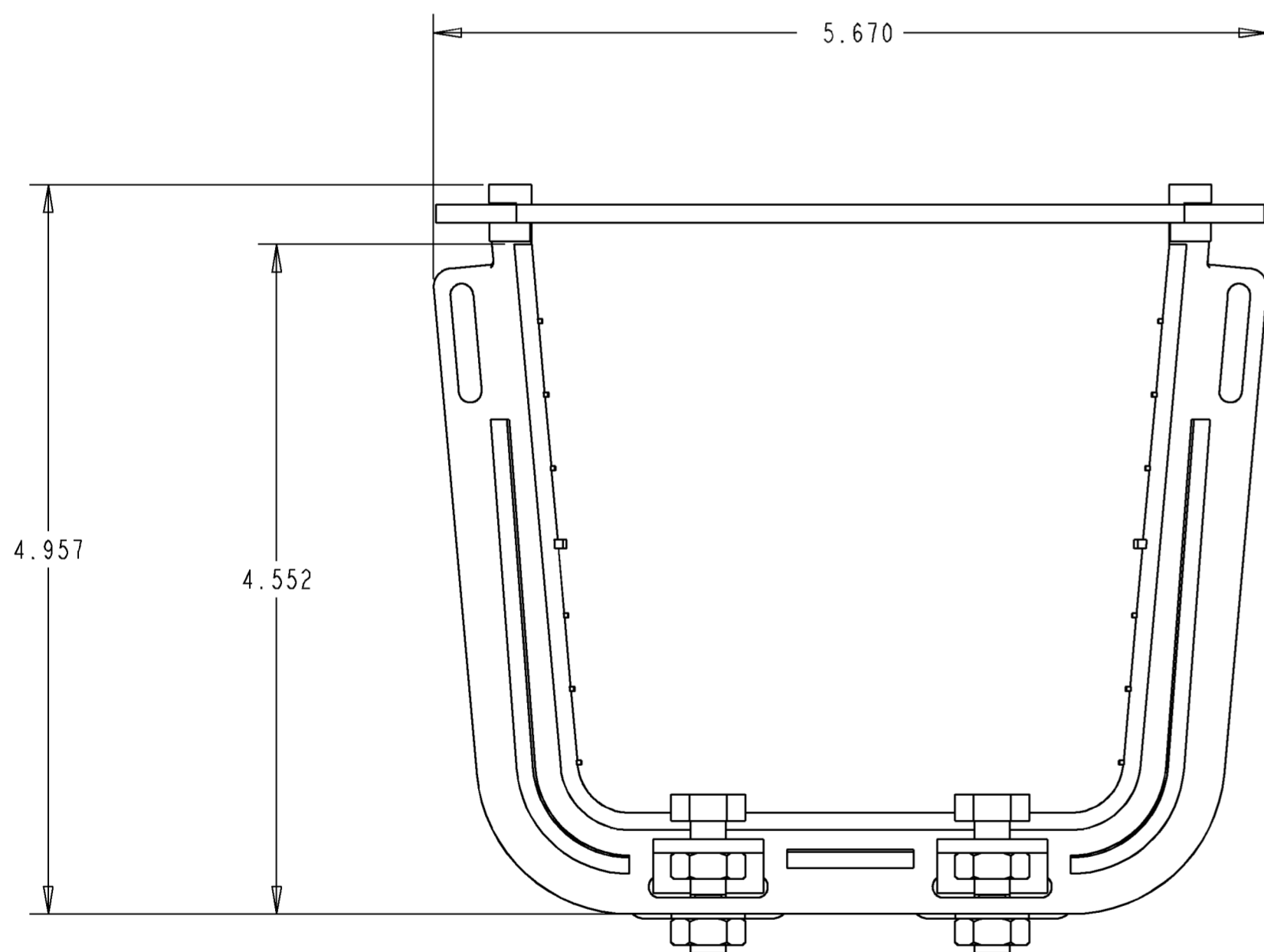
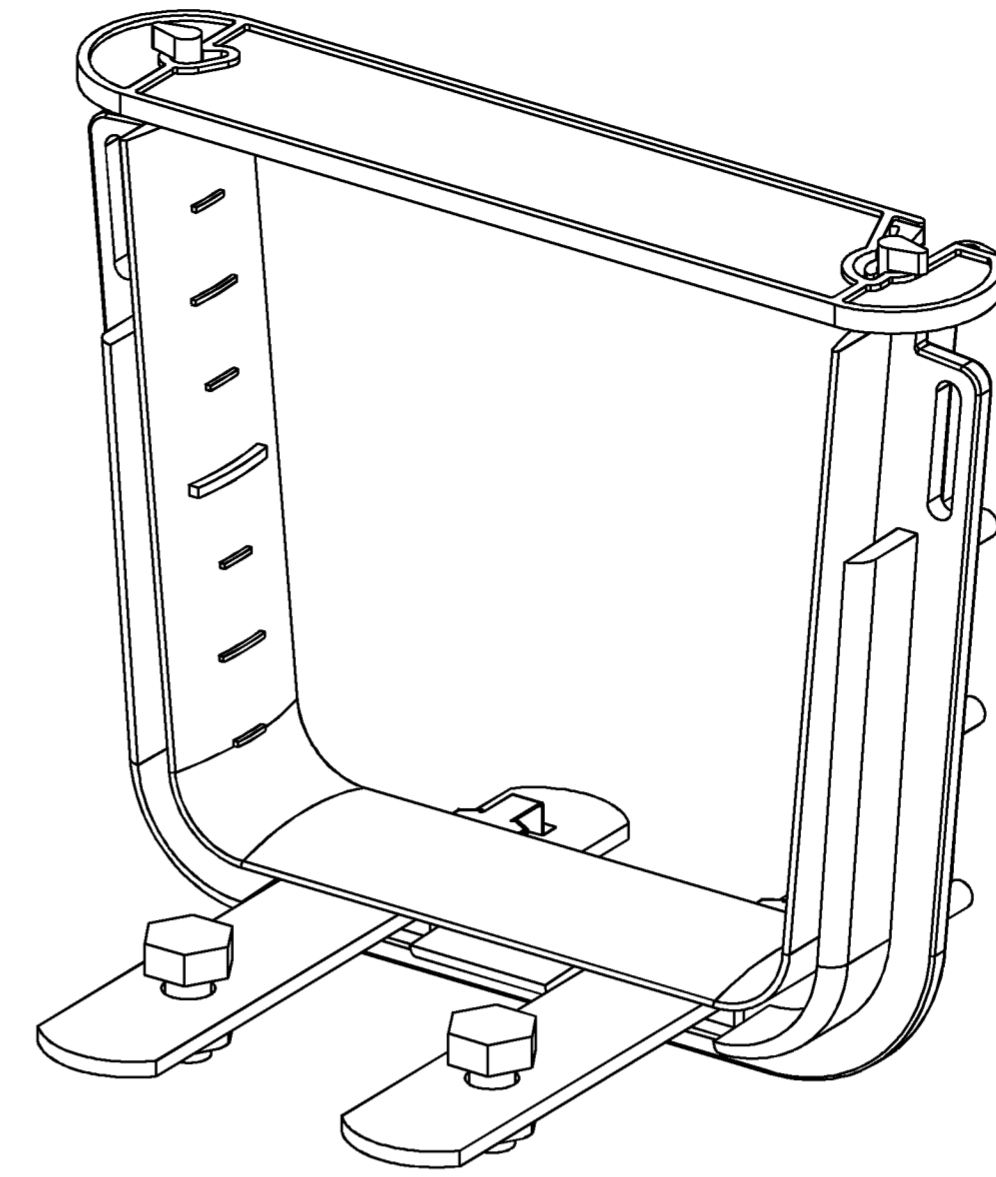
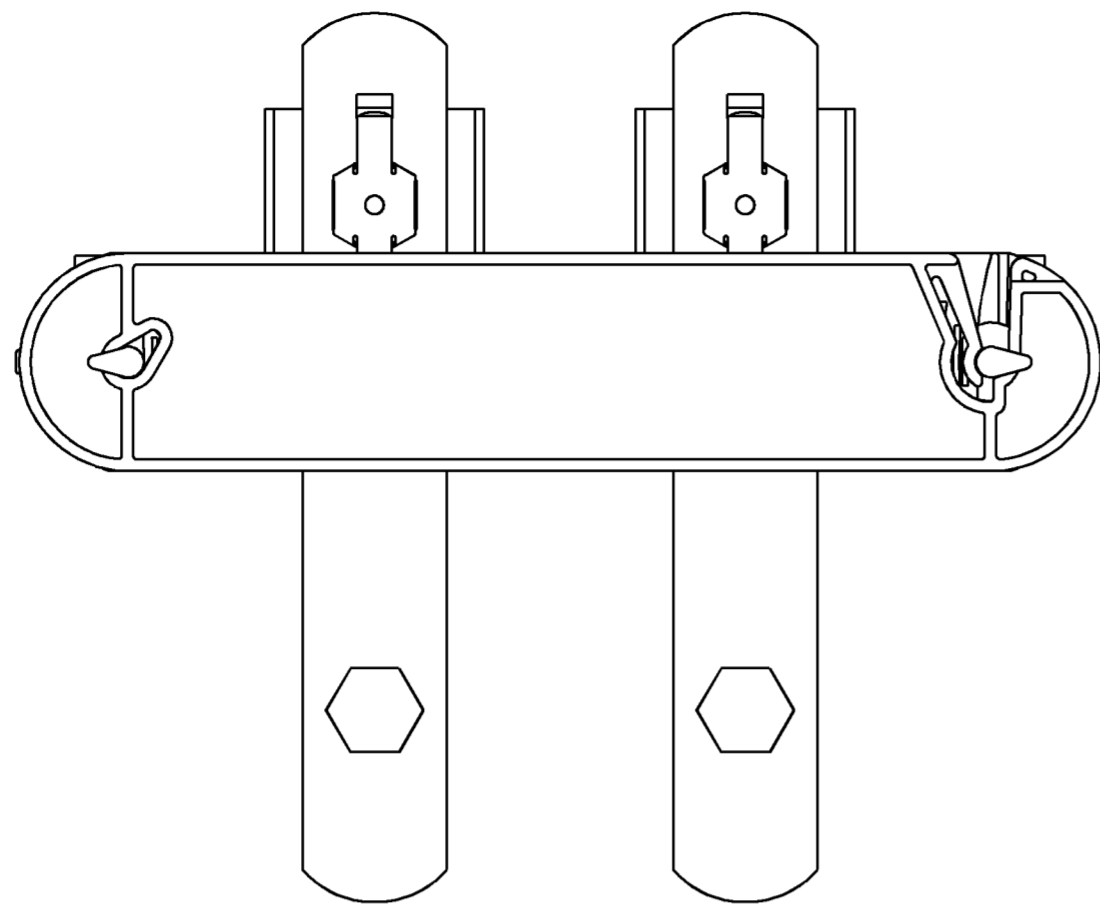


REV	ECO	DWN	DATE
B	96430	MV	02-21-92
C	20239869	AED	13-MAY-08



FGSB-MJWR-D	BLACK
FGSP-MJWR-D	PUTTY
FGSO-MJWR-D	ORANGE
FGS-MJWR-D	YELLOW
CATALOG NO.	COLOR

1. ALL NON-METALLIC COMPONENTS OF THIS ASSEMBLY ARE SELF EXTINGUISHING WITH A UL 94 RATING AT V-0.

NOTES:



INFORMATION ON THIS DOCUMENT IS PROPRIETARY TO ADC AND SHALL NOT BE USED, COPIED, REPRODUCED OR DISCLOSED IN WHOLE OR IN PART WITHOUT WRITTEN CONSENT OF ADC.

ALL DIMS AND TOLERANCES ARE INCHES UNLESS OTHERWISE SPECIFIED  
 .XX:±.02  
 .XXX:±.010  
 ANGULAR:±2

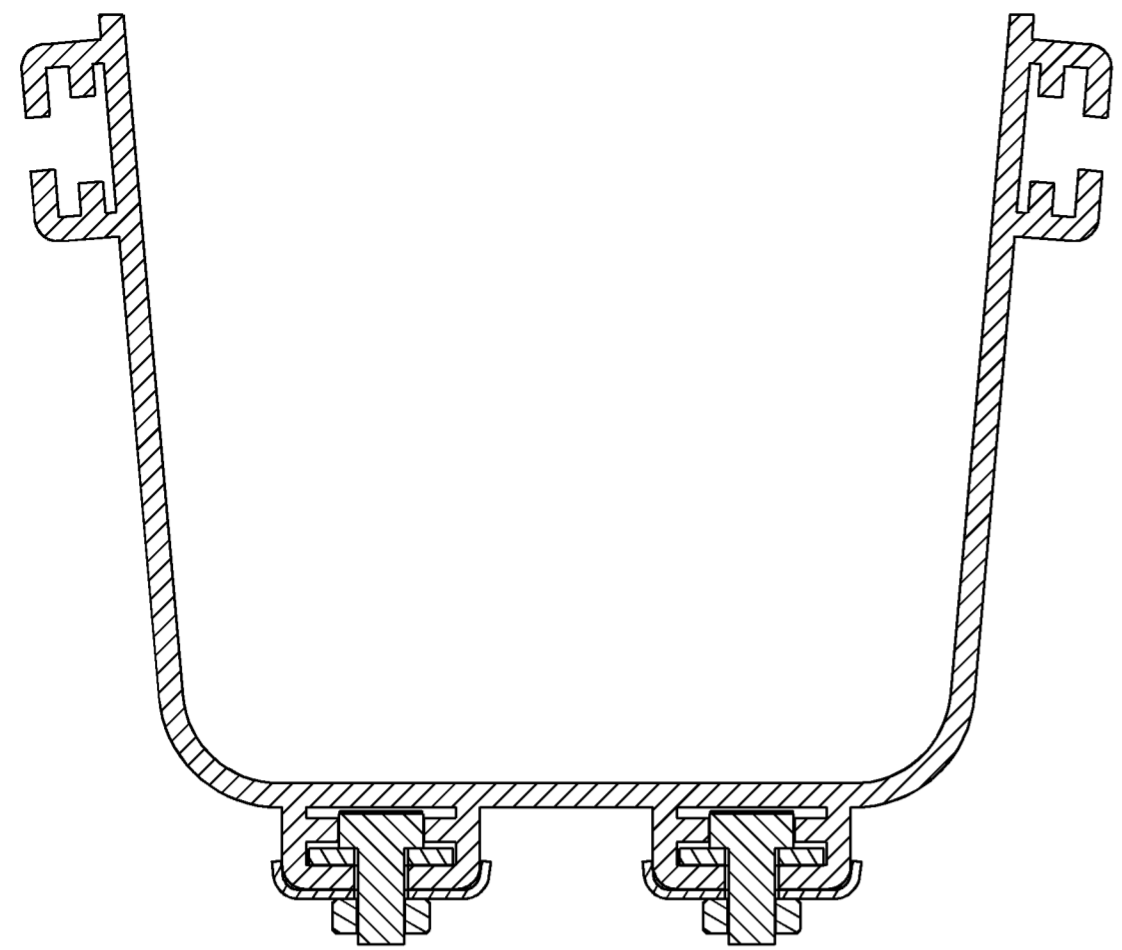
TITLE 4" VERTICAL JUNCTION KIT (INSTALLATION DRAWING)

DO NOT SCALE DRAWING

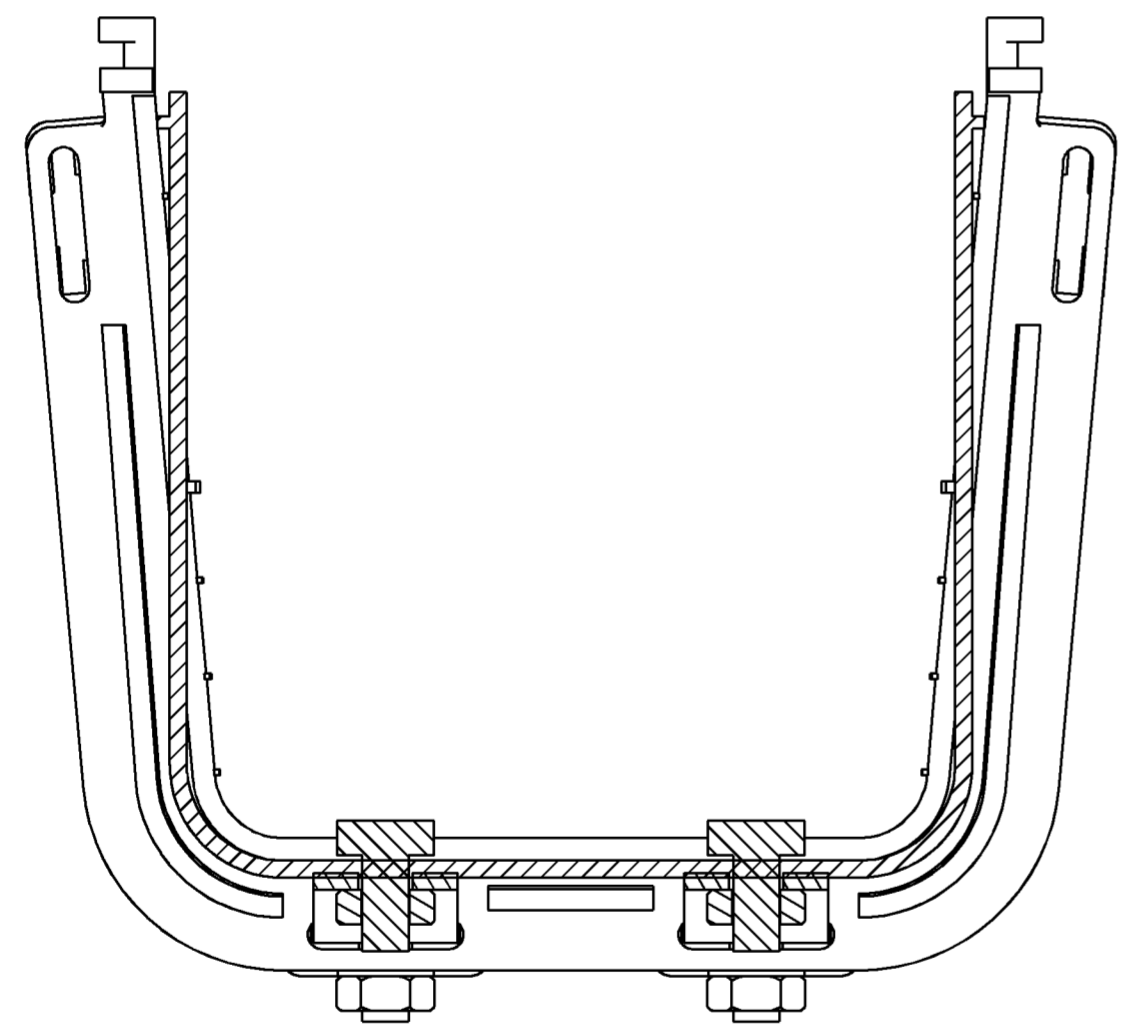
ENGR: R. HENNEBERGER  
 DWN: D. CARPENTER

SHT. 1 OF 2

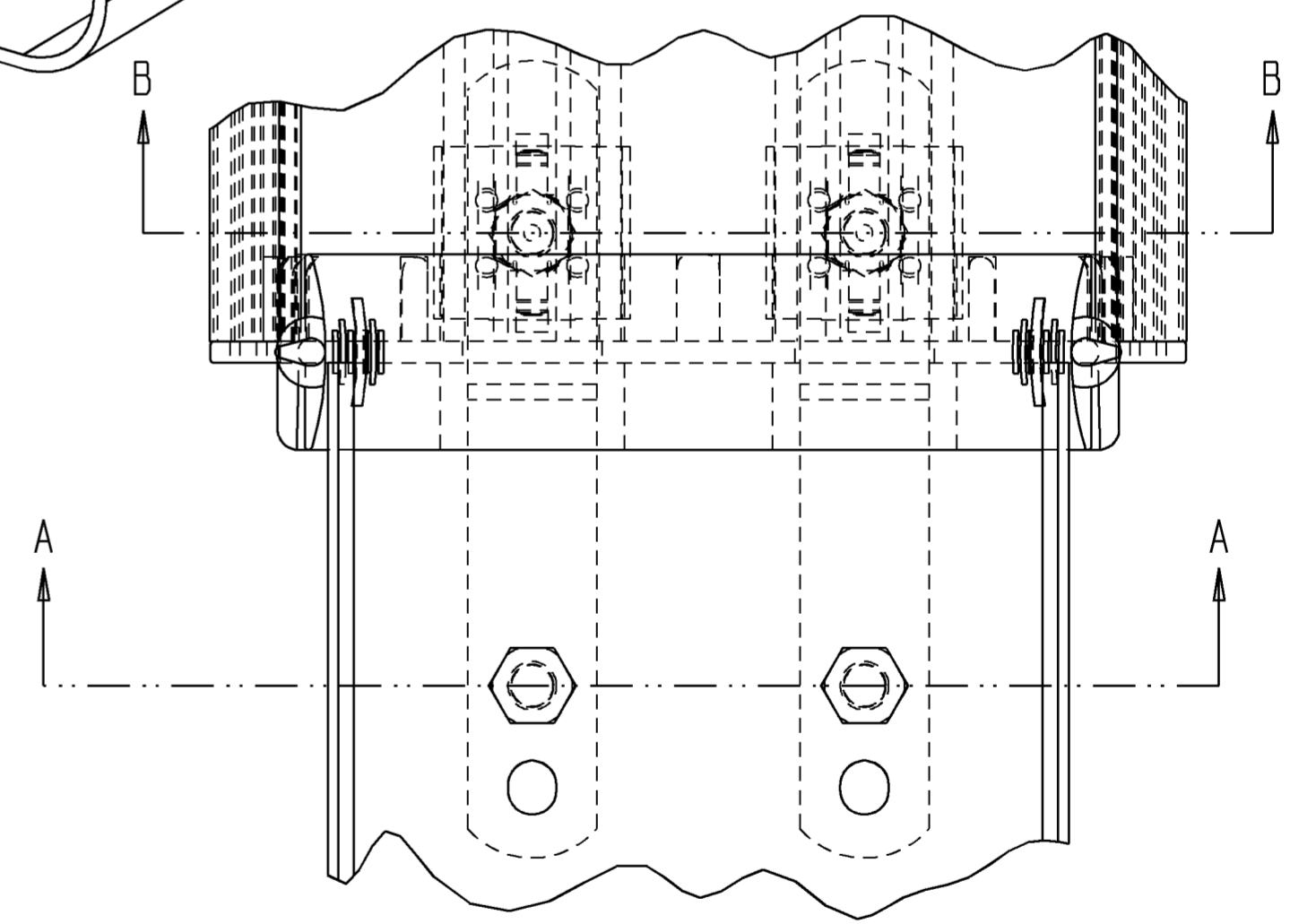
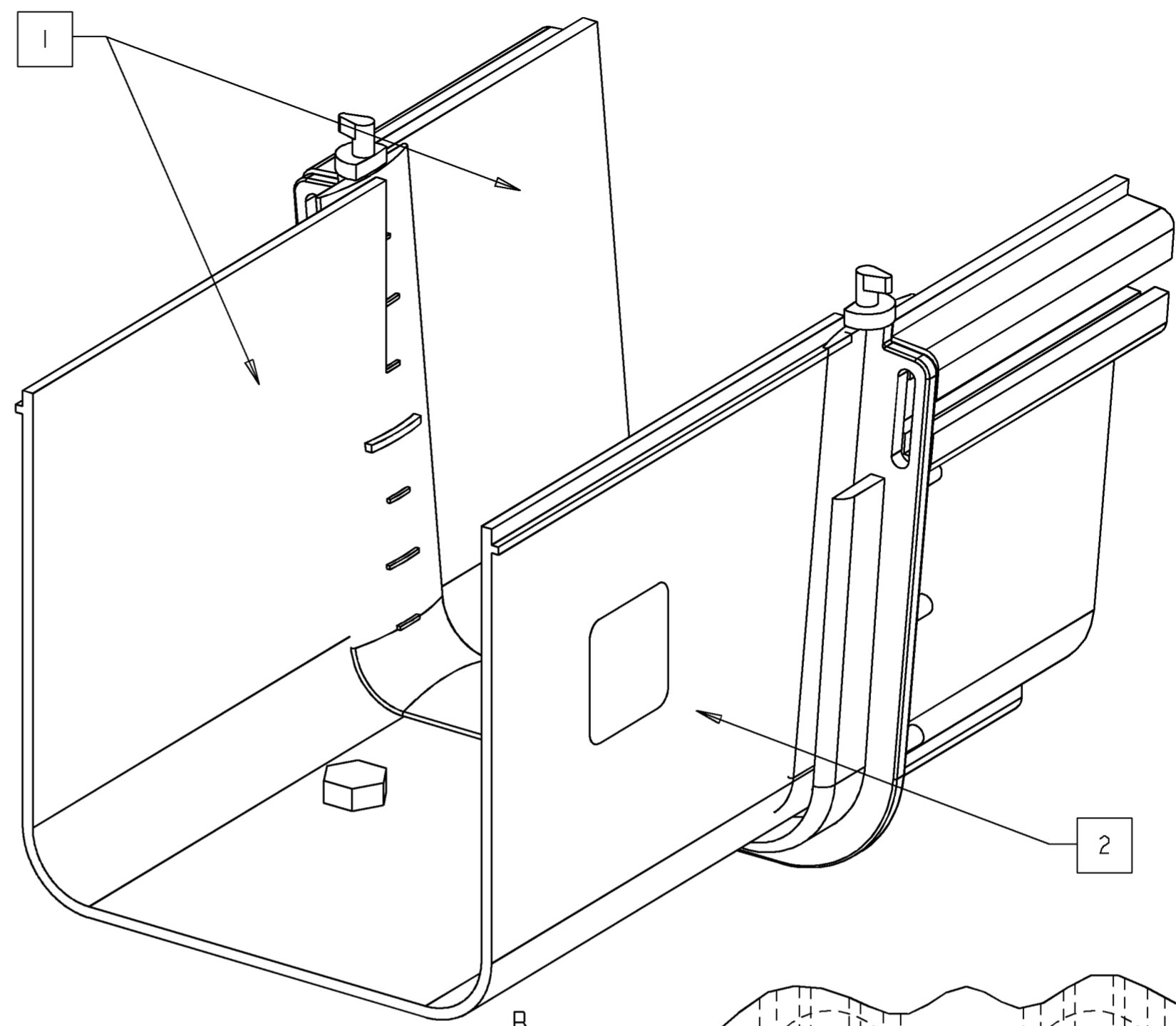
**DIMENSIONS IN INCHES  
 THIRD ANGLE PROJECTION**



SECTION B-B  
TYPICAL OF STRAIGHT GUIDE ATTACHMENT OR DOWNSPOUT



SECTION A-A  
TYPICAL OF VERTICAL GUIDE ATTACHMENT



3. VIEWS ARE SHOWN WITHOUT THE RETAINER TO PROVIDE CLARITY.
- 2 CAUTION LABELS SHOULD BE ATTACHED ON EXTRUSIONS AND/OR FITTINGS AS CLOSE AS POSSIBLE TO ALL JUNCTIONS WITHOUT SACRIFICING CLARITY.
- 1 NOT INCLUDED IN KIT, SHOWN TO PROVIDE CLARITY OF INSTALLATION.

NOTES:



INFORMATION ON THIS DOCUMENT IS PROPRIETARY TO ADC AND SHALL NOT BE USED, COPIED, REPRODUCED OR DISCLOSED IN WHOLE OR IN PART WITHOUT WRITTEN CONSENT OF ADC.		TITLE 4" VERTICAL JUNCTION KIT (INSTALLATION DRAWING)	
ALL DIMS AND TOLERANCES ARE INCHES UNLESS OTHERWISE SPECIFIED	.XX:±.02 .XXX:±.010 ANGULAR:±2	C SIZE	DRAWING NUMBER 4-29000-2413
DO NOT SCALE DRAWING	ENGR: R. HENNEBERGER DWN: D. CARPENTER	SHT. 2 OF 2	

DIMENSIONS IN INCHES  
THIRD ANGLE PROJECTION