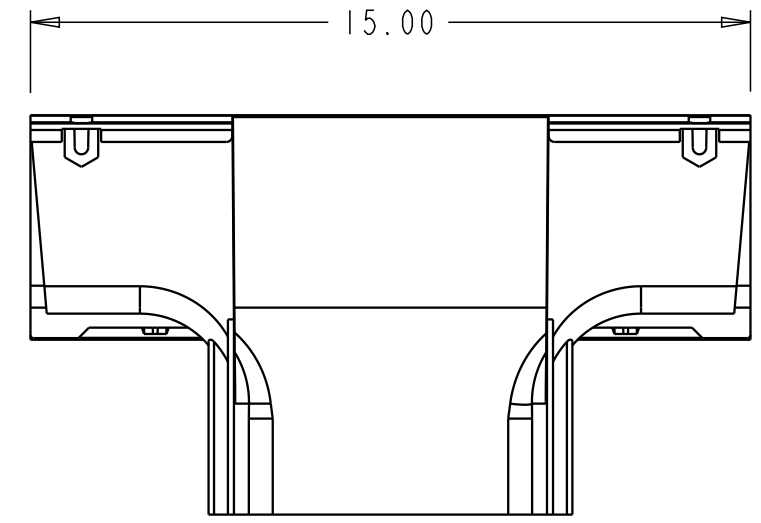
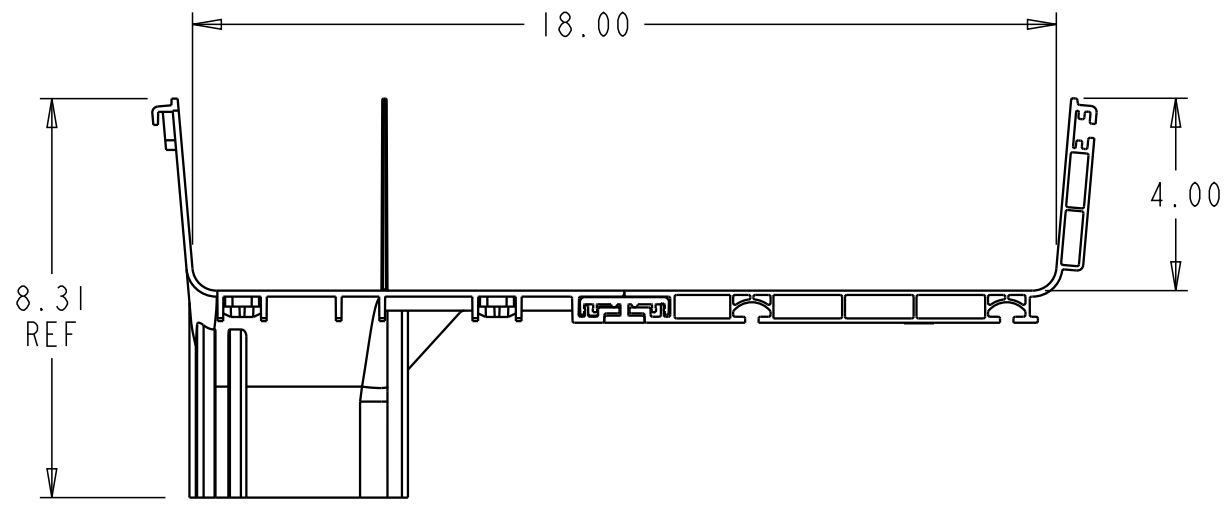
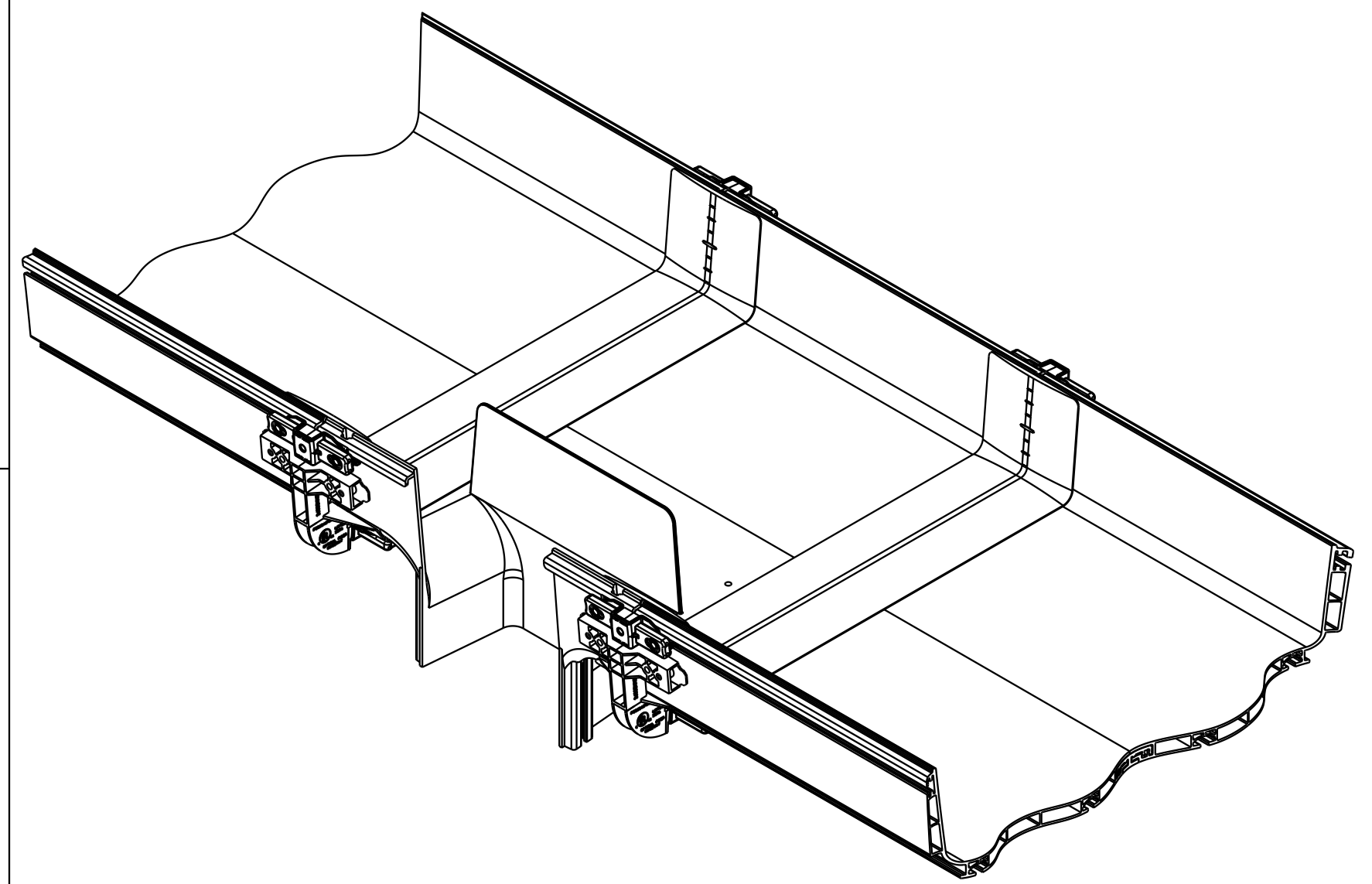
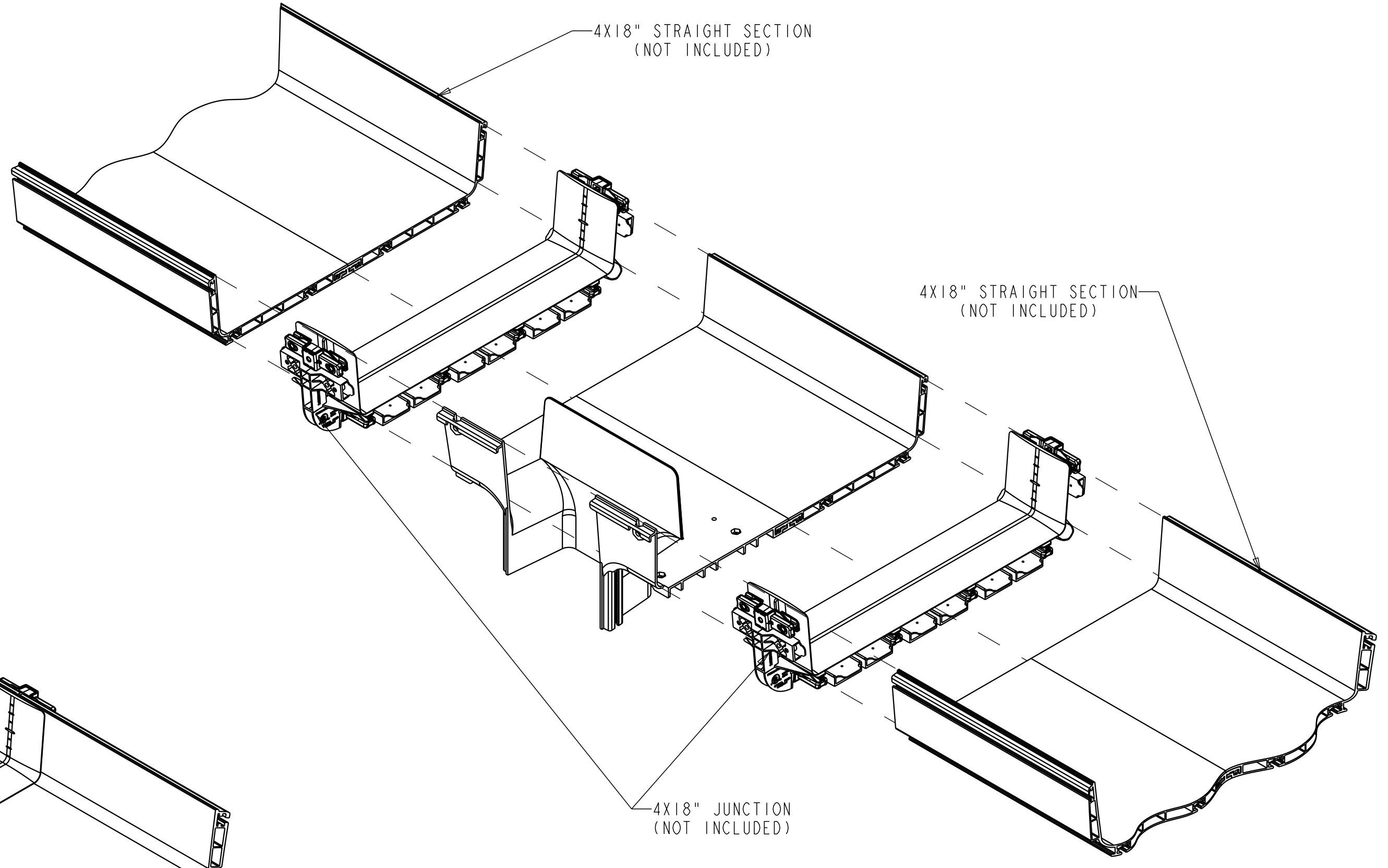
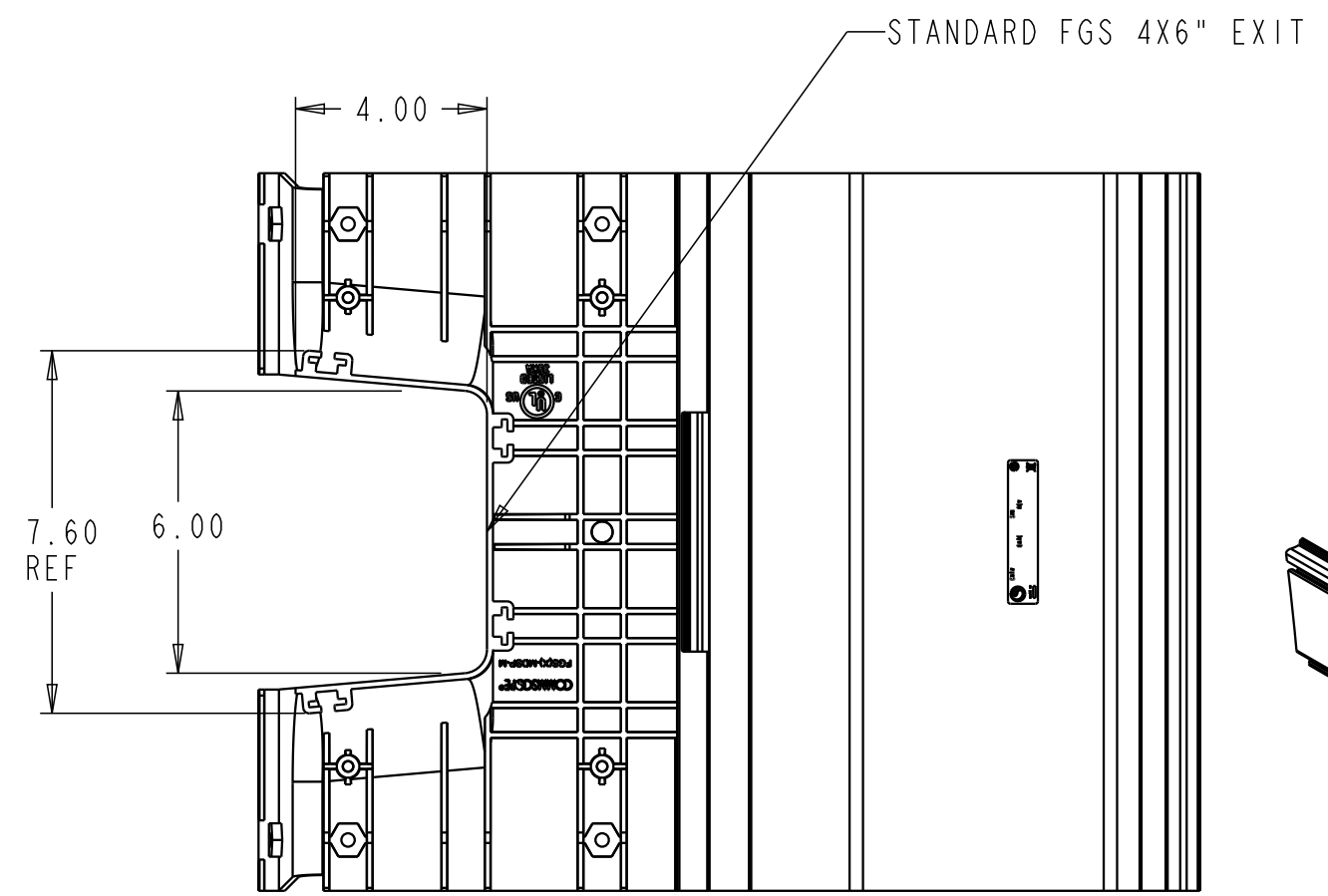


REV	ECN	DWN	DATE
A	8000018122	HUH	17-JAN-17
B	8000021291	HUH	21-MAR-17



NOTES:

1. TO INSTALL THE SINGLE EXIT DOWNPOUT USE TWO 4X18" JUNCTIONS (NOT INCLUDED) BETWEEN THE DOWNPOUT AND THE STRAIGHT SECTIONS AS SHOWN.



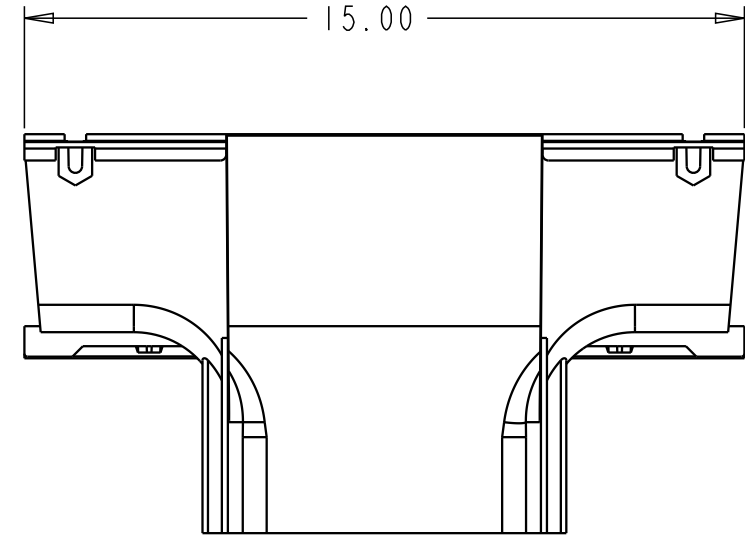
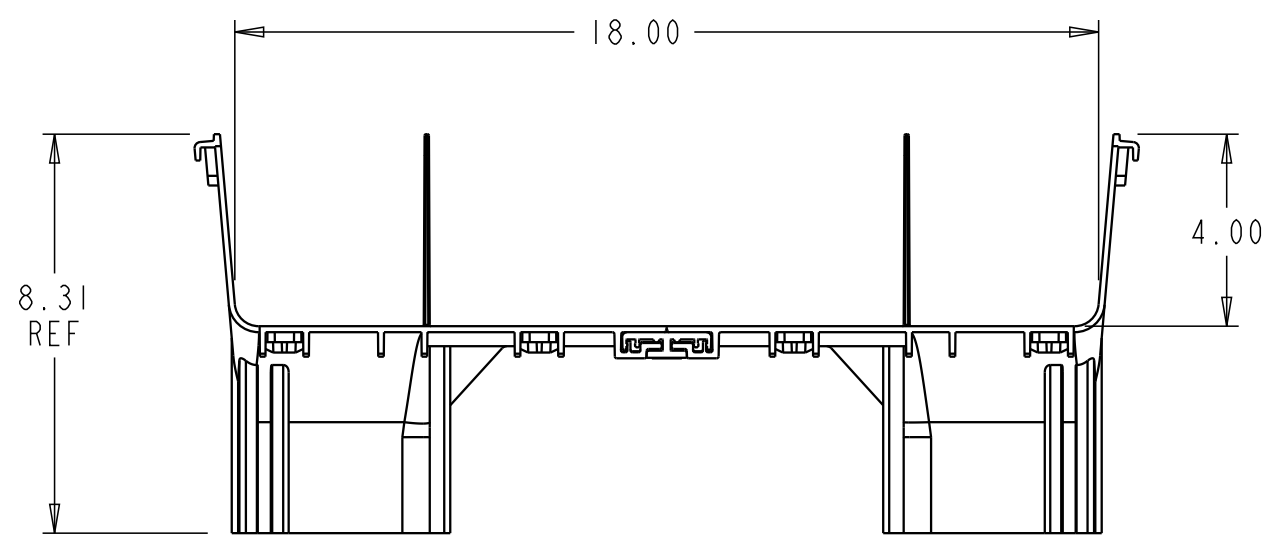
4X18 SINGLE EXIT DOWNPOUT INSTALLED

COMMSCOPE, INC.

FGS-MDSP-M	YELLOW
CATALOG NUMBER	COLOR

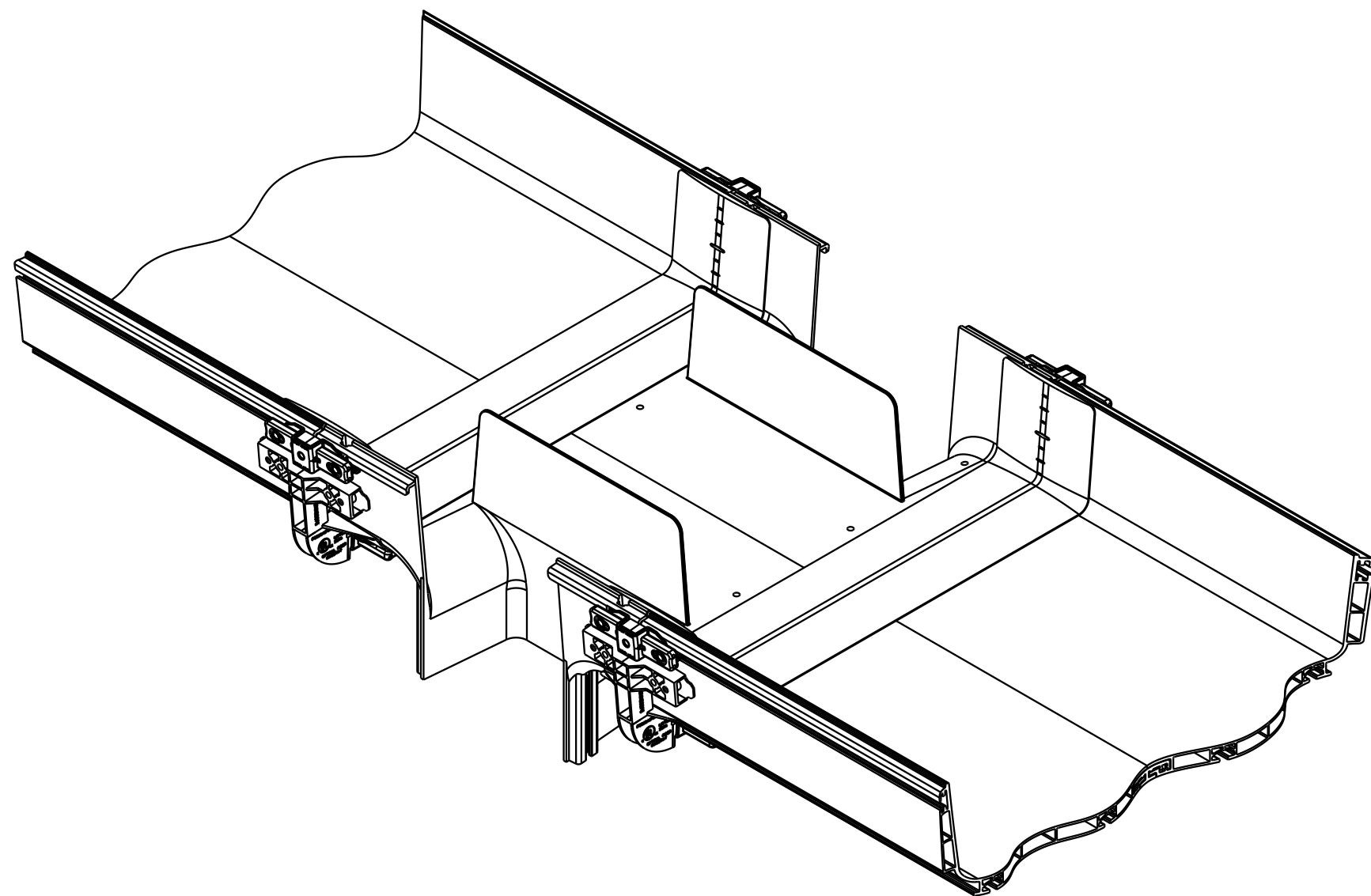
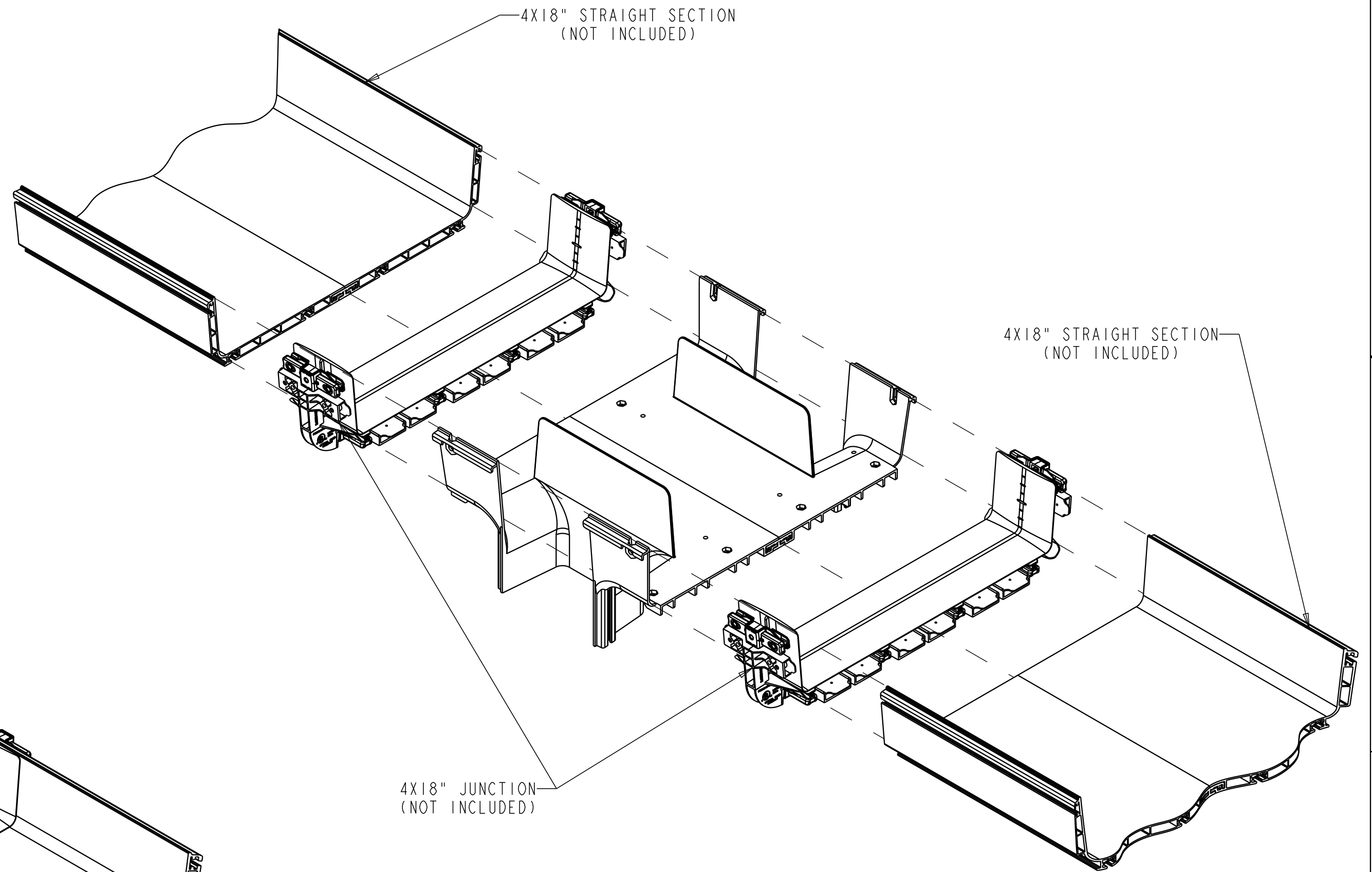
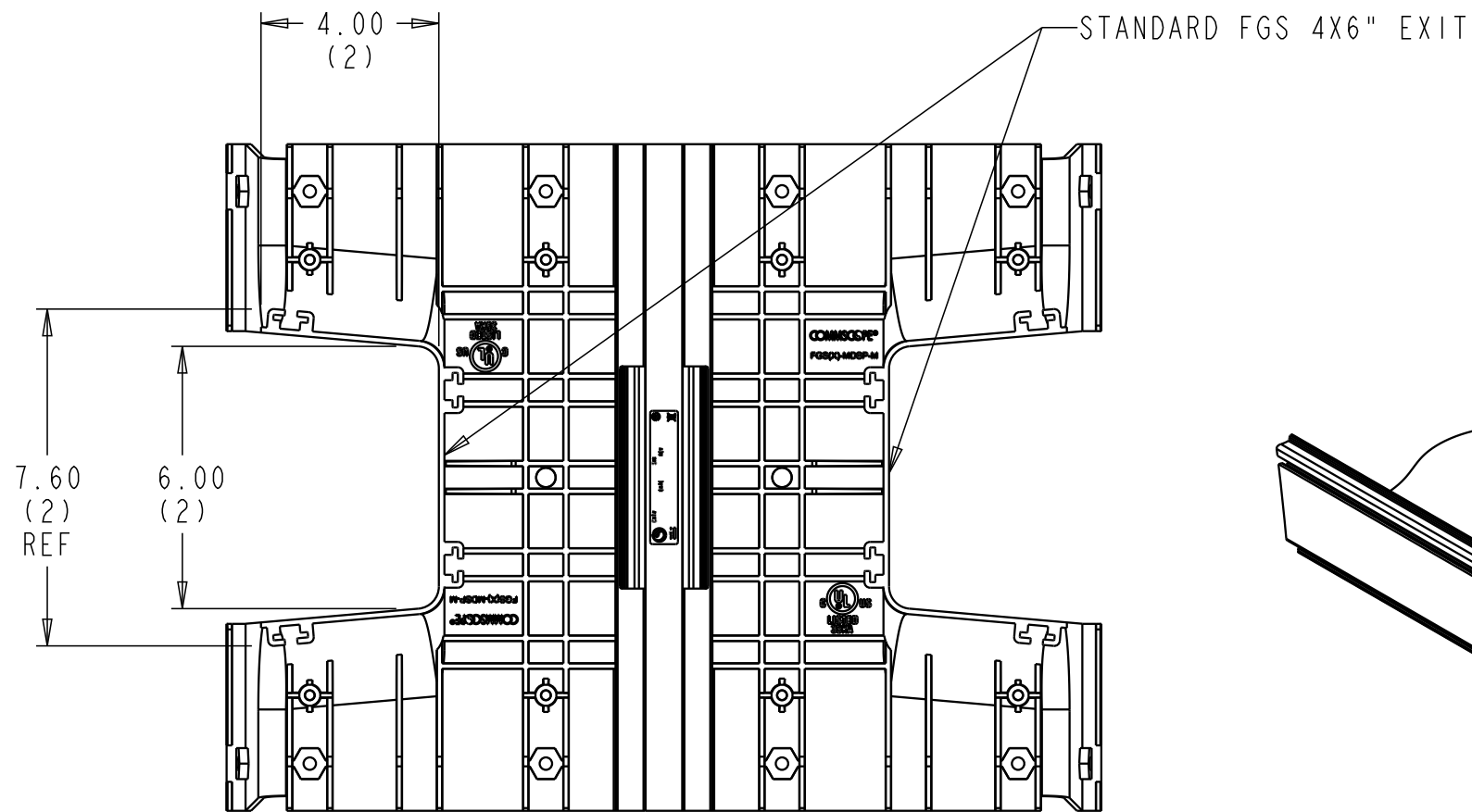
<small>© 2016 COMMSCOPE, INC. CONFIDENTIAL NOTICE: THESE DRAWINGS AND SPECIFICATIONS ARE THE PROPRIETARY PROPERTY OF COMMSCOPE, INC. AND MAY BE USED ONLY FOR THE SPECIFIC PURPOSE AUTHORIZED IN WRITING BY COMMSCOPE, INC.</small>	TITLE	INST DRW 4X18IN, SINGLE-DOUBLE EXIT DOWNPOUT	
	<small>ALL DIMS AND TOLERANCES .XX:±N/A ARE INCHES UNLESS .XXX:±N/A OTHERWISE SPECIFIED ANGULAR:±N/A</small>	DRAWING NUMBER	300100118380
DO NOT SCALE DRAWING	ENGR: HECTOR UREÑO	SHT. 1 OF 2	
	DWN: HECTOR UREÑO		

**DIMENSIONS IN INCHES
THIRD ANGLE PROJECTION**



NOTES:

1. TO INSTALL THE DOUBLE EXIT DOWNSPOUT USE TWO 4X18" JUNCTIONS (NOT INCLUDED) BETWEEN THE DOWNSPOUT AND THE STRAIGHT SECTIONS AS SHOWN.



4X18 DOUBLE EXIT DOWNSPOUT INSTALLED

COMMSCOPE, INC.

FGS-MDSP-M2B	YELLOW
CATALOG NUMBER	COLOR

<small>© 2016 COMMSCOPE, INC. CONFIDENTIAL NOTICE: THESE DRAWINGS AND SPECIFICATIONS ARE THE PROPRIETARY PROPERTY OF COMMSCOPE, INC. AND MAY BE USED ONLY FOR THE SPECIFIC PURPOSE AUTHORIZED IN WRITING BY COMMSCOPE, INC.</small>	TITLE	INST DRW 4X18IN, SINGLE-DOUBLE EXIT DOWNSPOUT	
	<small>ALL DIMS AND TOLERANCES .XX:±N/A ARE INCHES UNLESS .XXX:±N/A OTHERWISE SPECIFIED ANGULAR:±N/A</small>	DRAWING NUMBER	300100118380
DO NOT SCALE DRAWING	ENGR: HECTOR UREÑO DWN: HECTOR UREÑO	SHT. 2 OF 2	B REV

**DIMENSIONS IN INCHES
THIRD ANGLE PROJECTION**