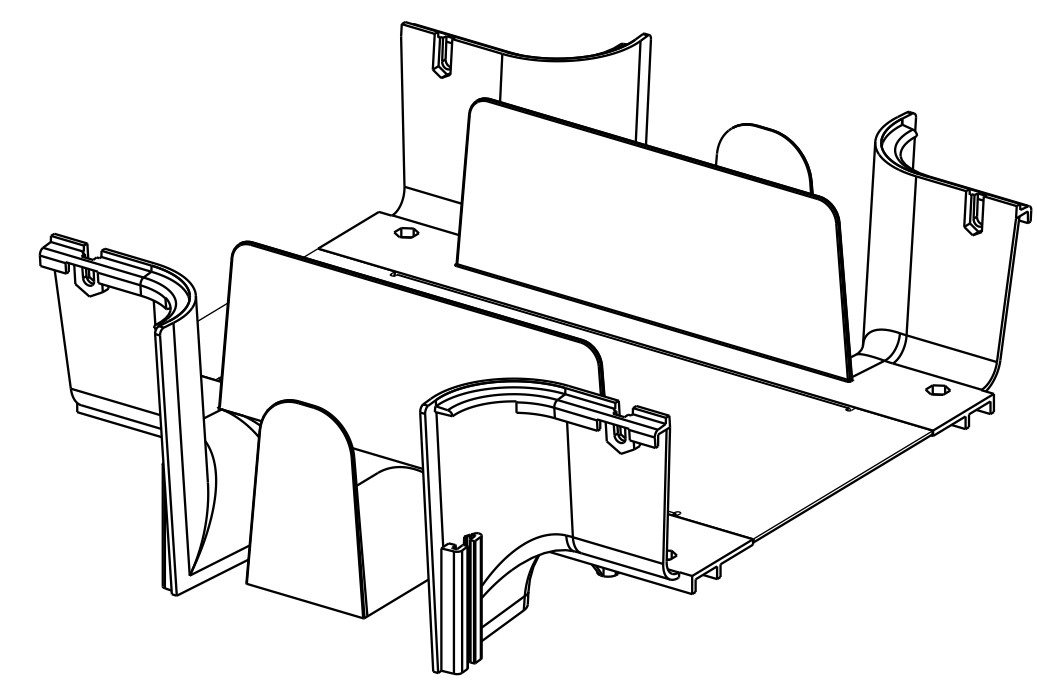
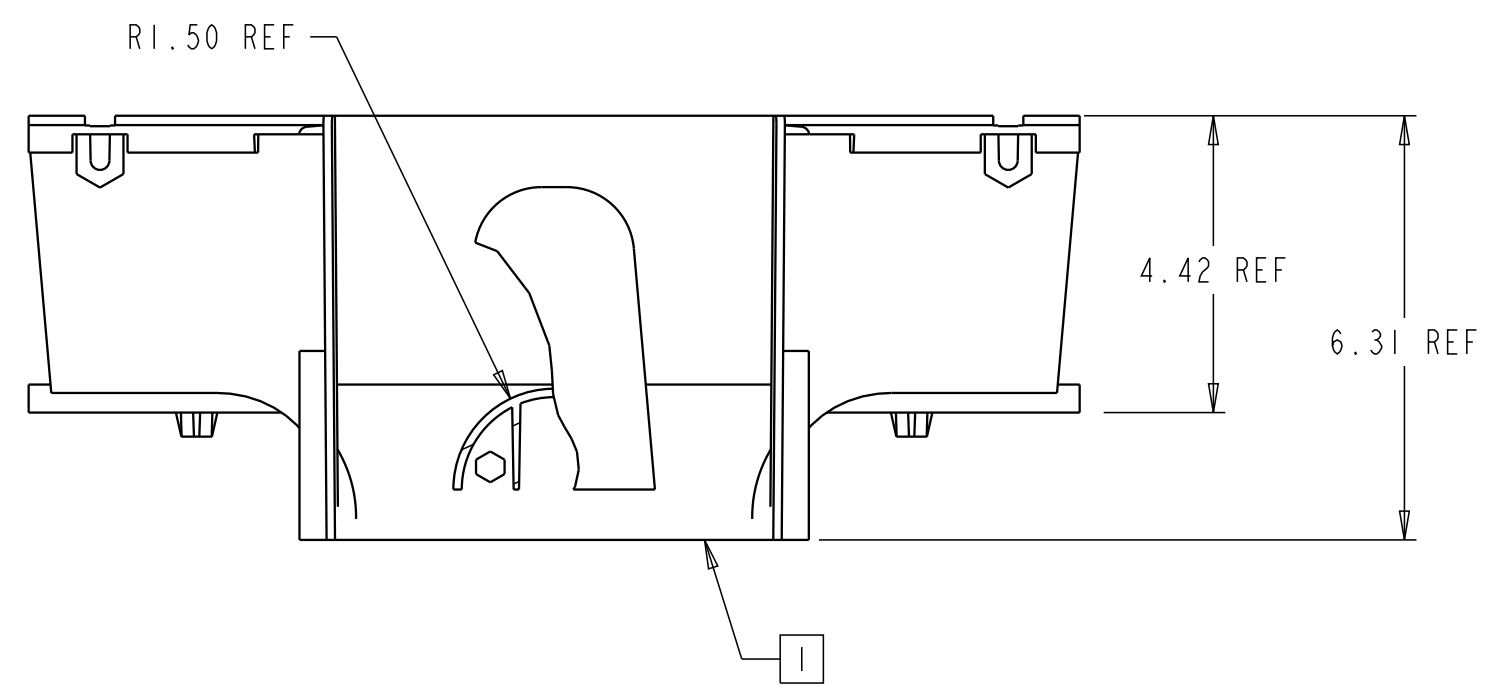
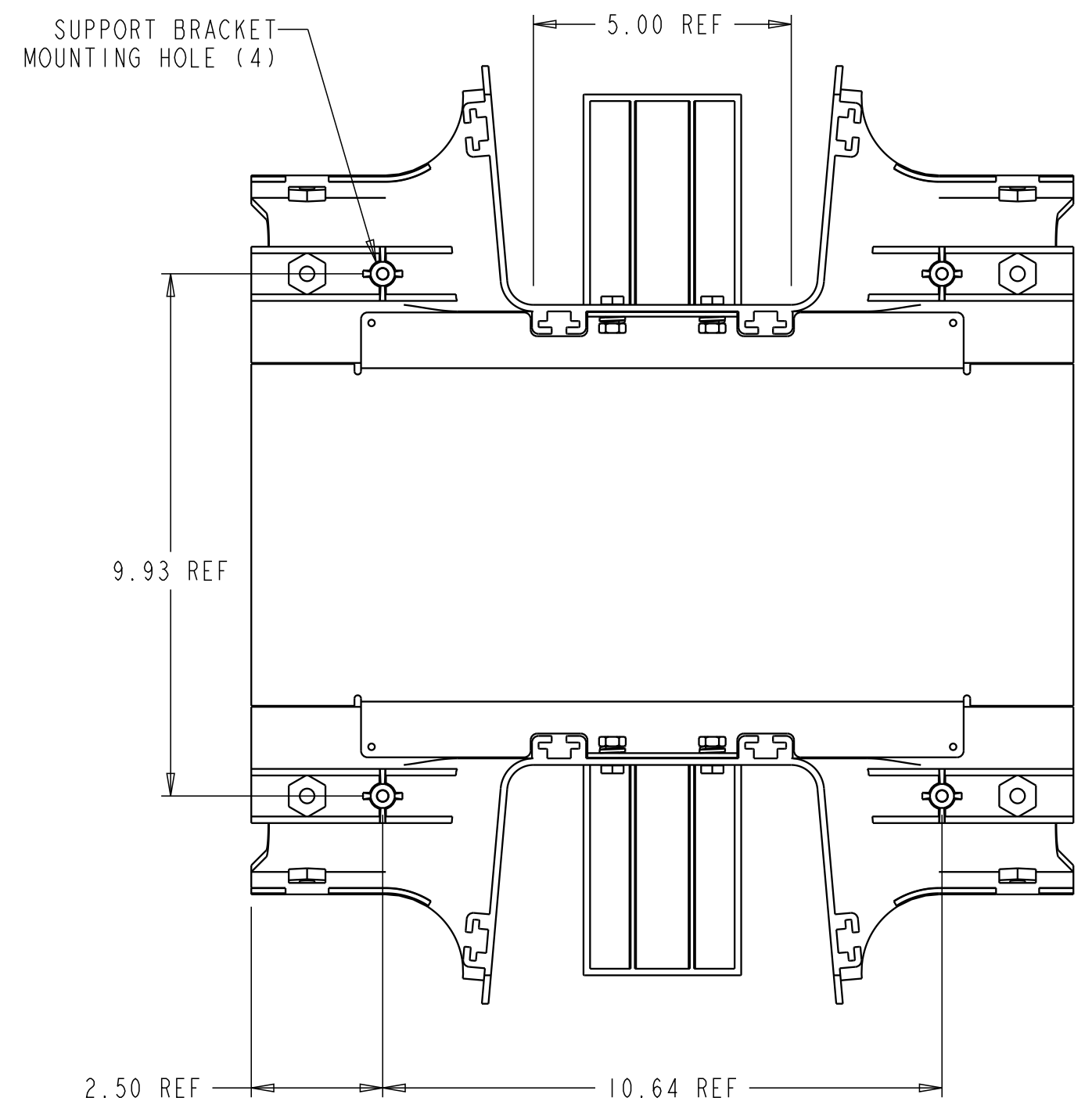
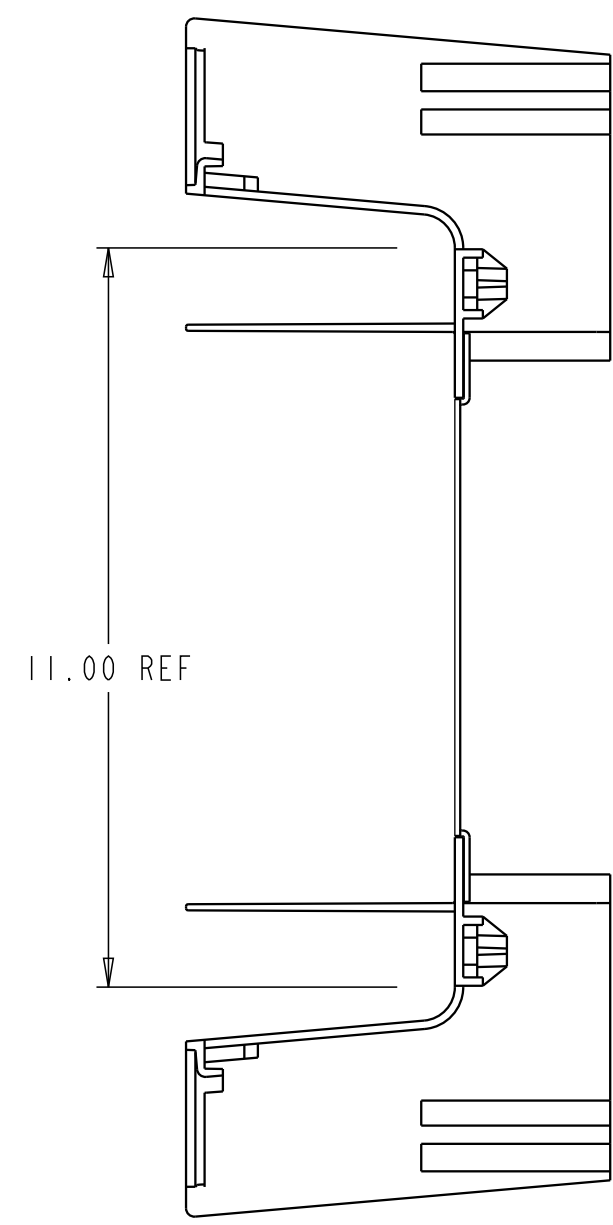
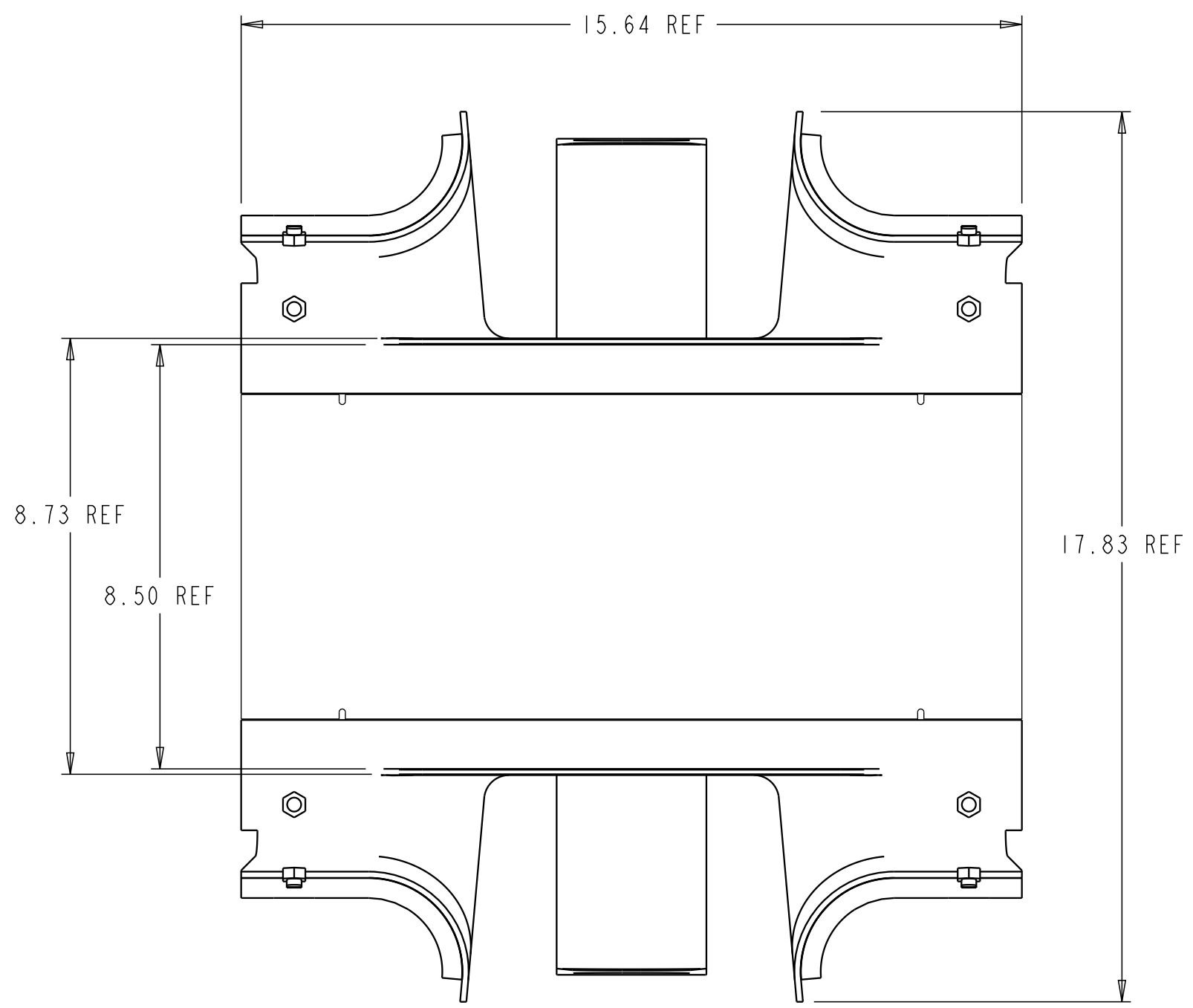


REV.	MCO	DWN	DATE
A	20116273	DLD	09-MAY-02
B	40031893MCO	OAVL	30-JUN-16



NOTES:

1 FIBERGUIDE JUNCTION FGS-MJWR-B REQUIRED AT THE DOWNSPOUT EXITS FOR ATTACHMENT OF OTHER FITTINGS OR STRAIGHT SECTIONS.

COMMSCOPE, INC.

© 2016 COMMSCOPE, INC. CONFIDENTIAL
 NOTICE: THESE DRAWINGS AND SPECIFICATIONS ARE THE PROPRIETARY PROPERTY OF COMMSCOPE, INC. AND MAY BE USED ONLY FOR THE SPECIFIC PURPOSE AUTHORIZED IN WRITING BY COMMSCOPE, INC.

ALL DIMS AND TOLERANCES .XX:±.02
 ARE INCHES UNLESS .XXX:±.010
 OTHERWISE SPECIFIED ANGULAR:±2

DO NOT SCALE DRAWING

ENGR: D. DERKS
 DWN: D. DERKS

FGS-MDSP-2F-IMP		YELLOW
CATALOG NUMBER		COLOR
TITLE FIBERGUIDE 4X12 DOWNSPOUT W/ DUAL 4X6 EXITS		
C SIZE	DRAWING NUMBER 1227885_ADC	B REV
SHT. 1 OF 1		

DIMENSIONS IN INCHES
 THIRD ANGLE PROJECTION