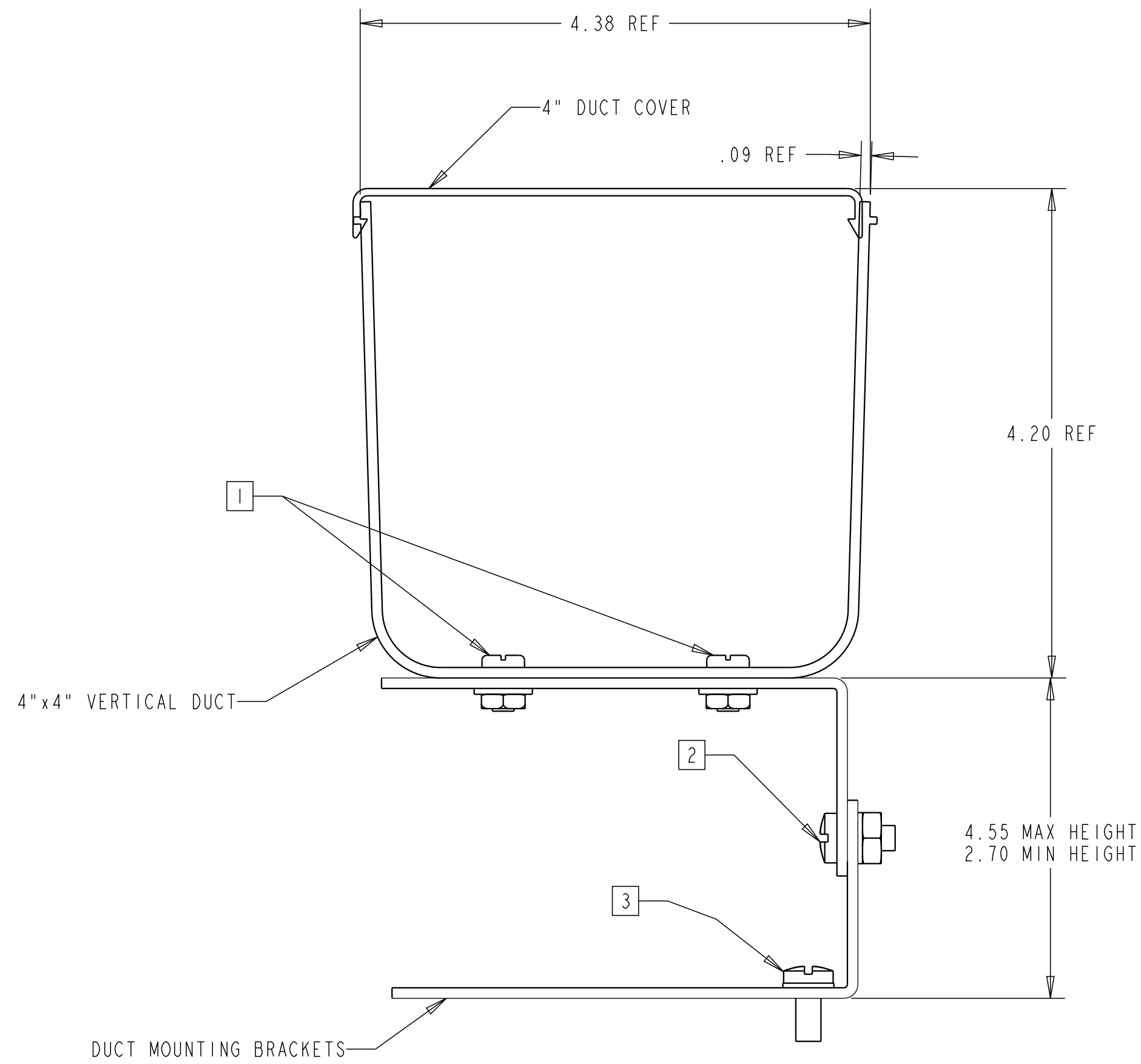
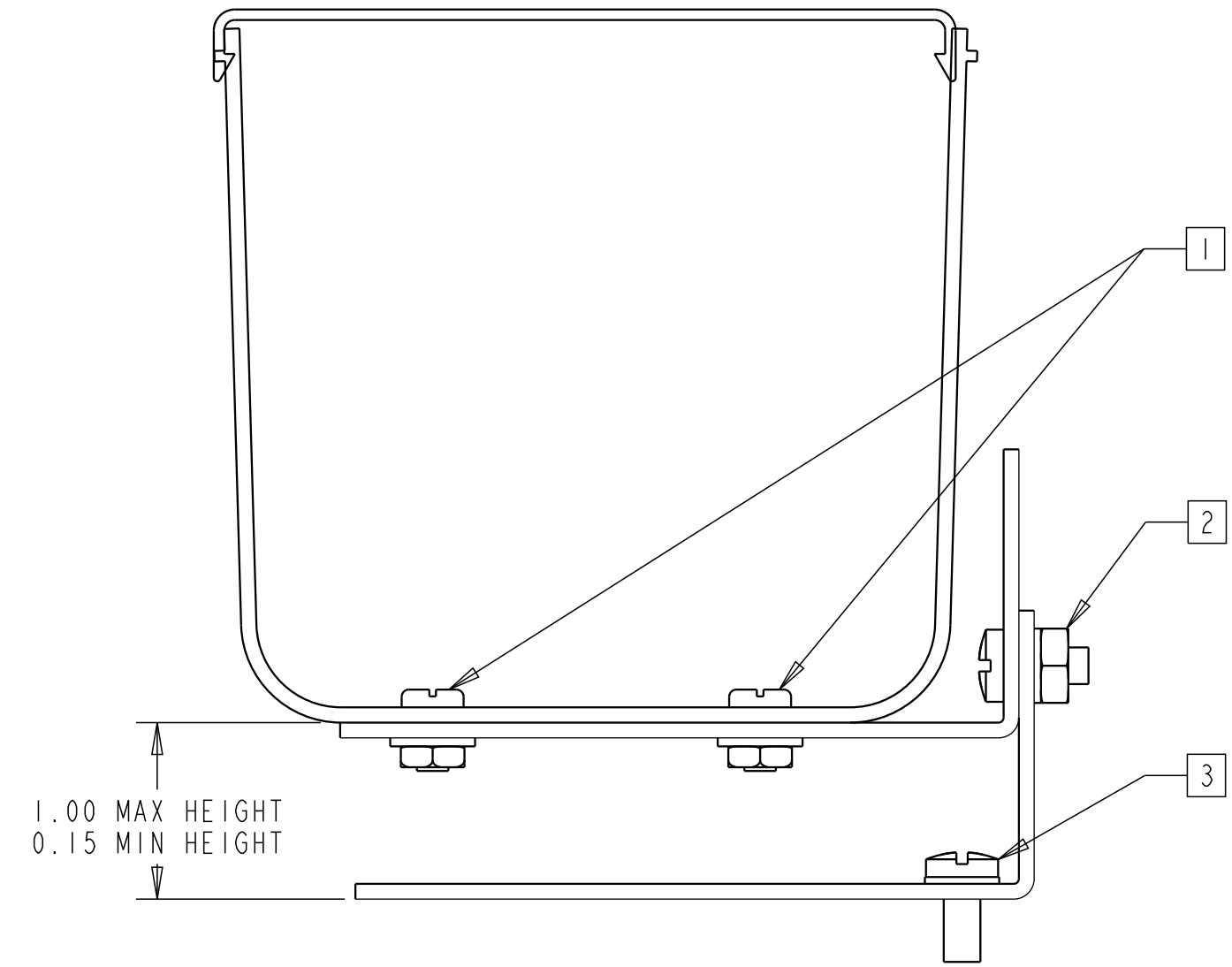


REV.	MCO	DWN	DATE
A	40024586MCO	RAT	26-OCT-15
B	40031755MCO	OAVL	24-JUN-16



BRACKET CONFIGURATION "A"



BRACKET CONFIGURATION "B"

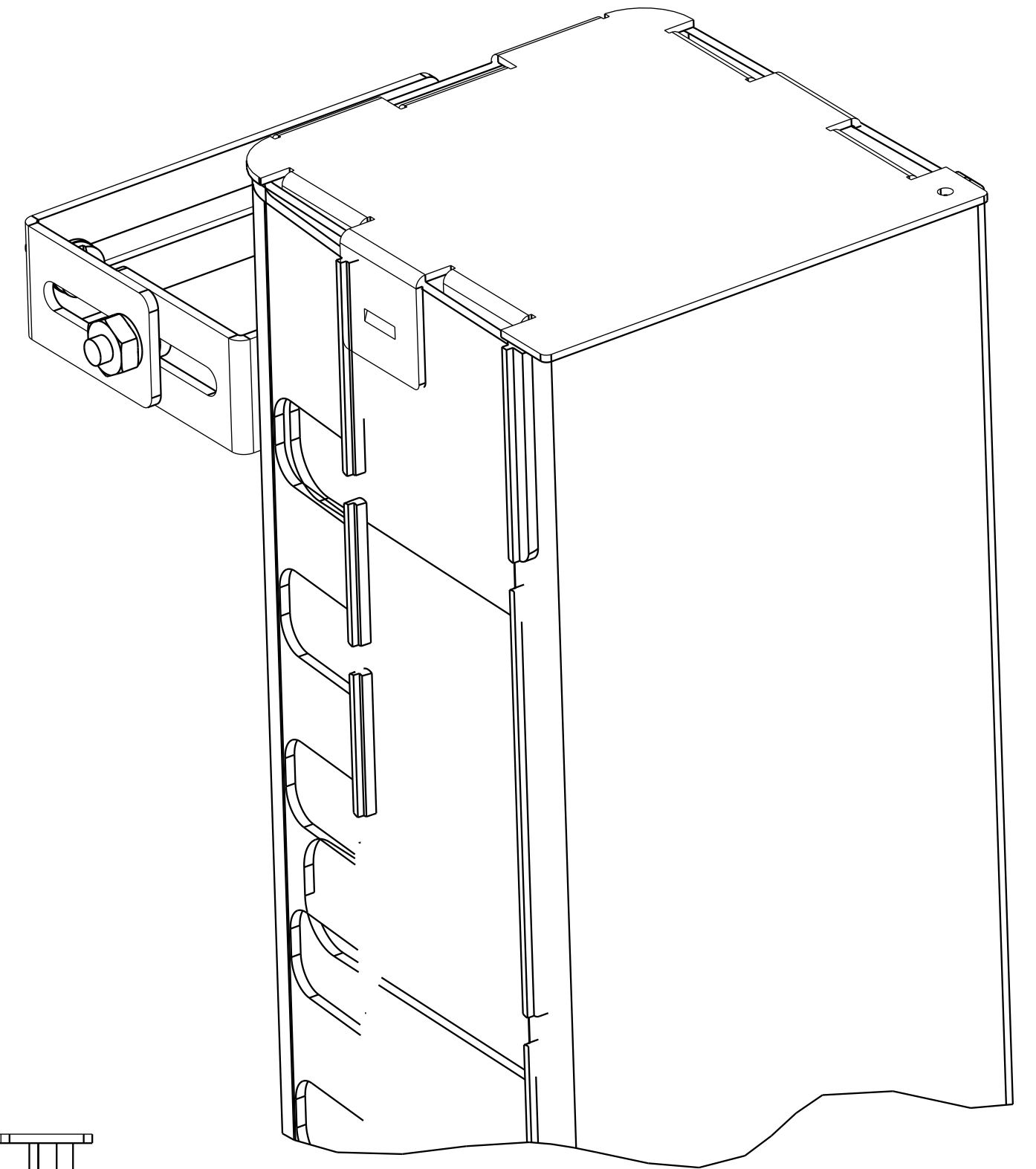
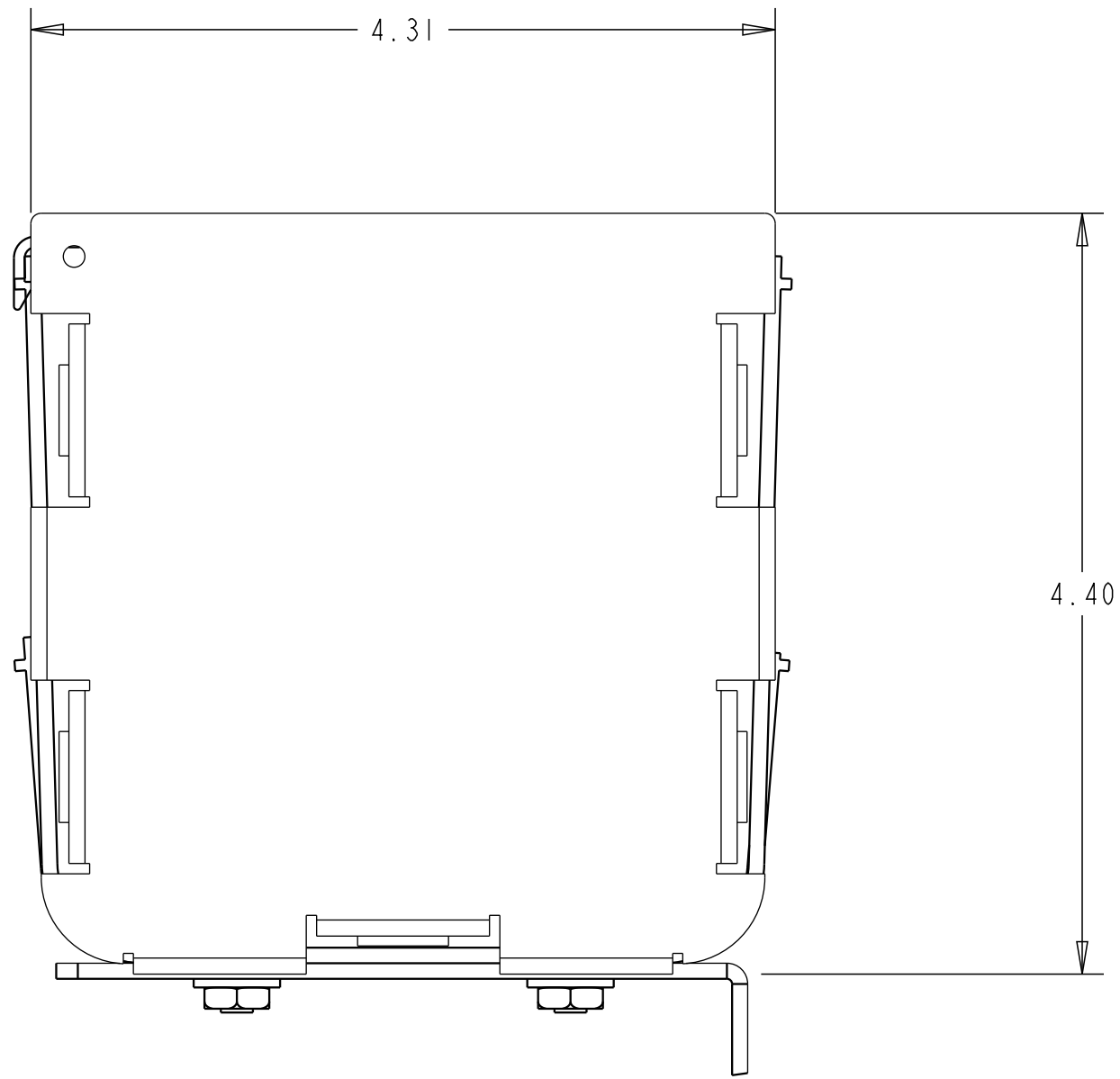
QTY	DESCRIPTION
1	4"x4" VERTICAL DUCT
1	4" DUCT COVER
4	1 END CAP
6	GROMMET STRIPS
10	DUCT MOUNTING BRACKETS
10	#12 X 1/2 SCREWS
10	#12 FLATWASHERS
5	#12 HEX NUTS
10	#10 X 3/8 SCREWS
10	#10 FLATWASHERS
10	#10 HEX NUTS

- NOTES:**
- 1 #10 SCREW, NUT AND WASHER.
 - 2 #12 SCREW, NUT AND WASHER.
 - 3 #12 SCREW AND WASHER.
 - 4 SEE END CAP INSTALLATION ON SHEET 2.

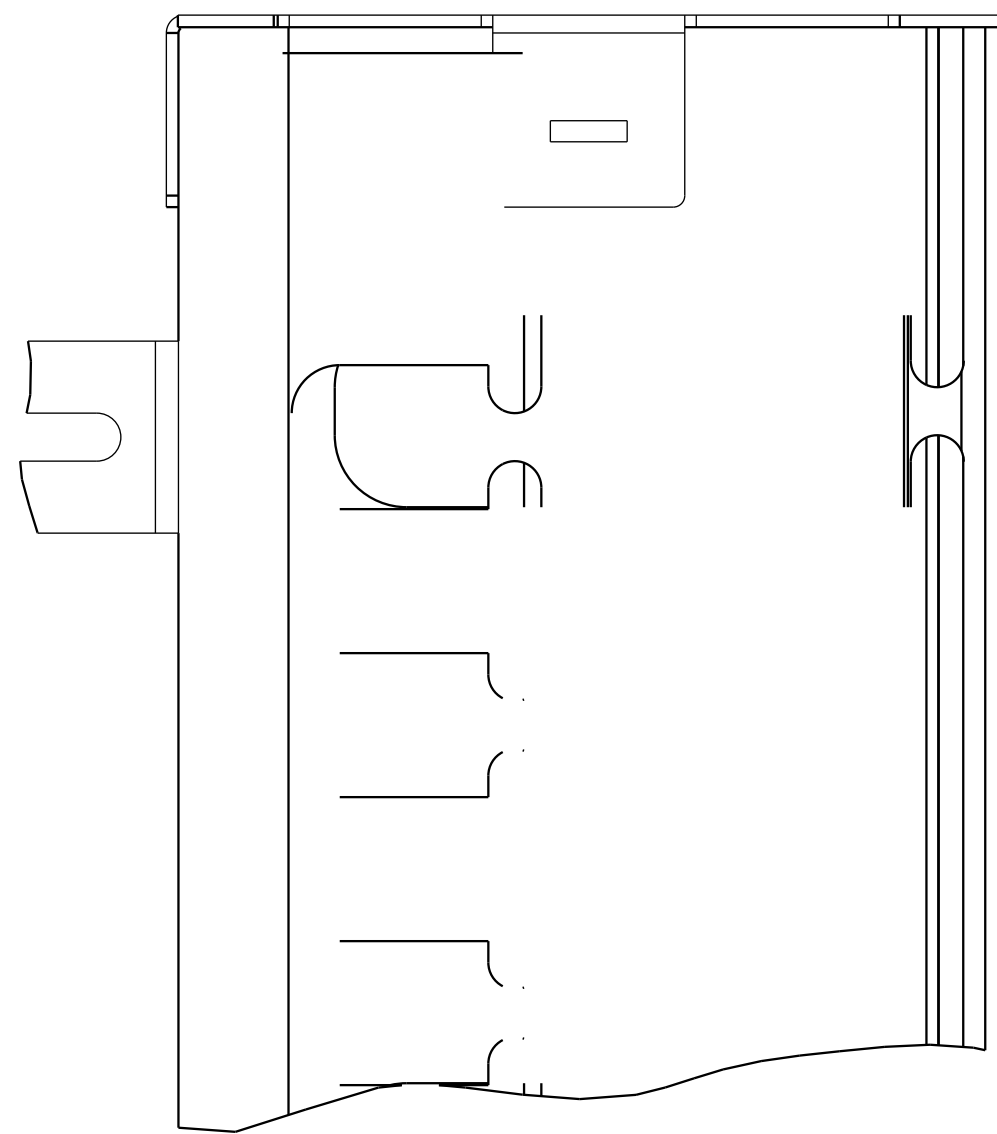
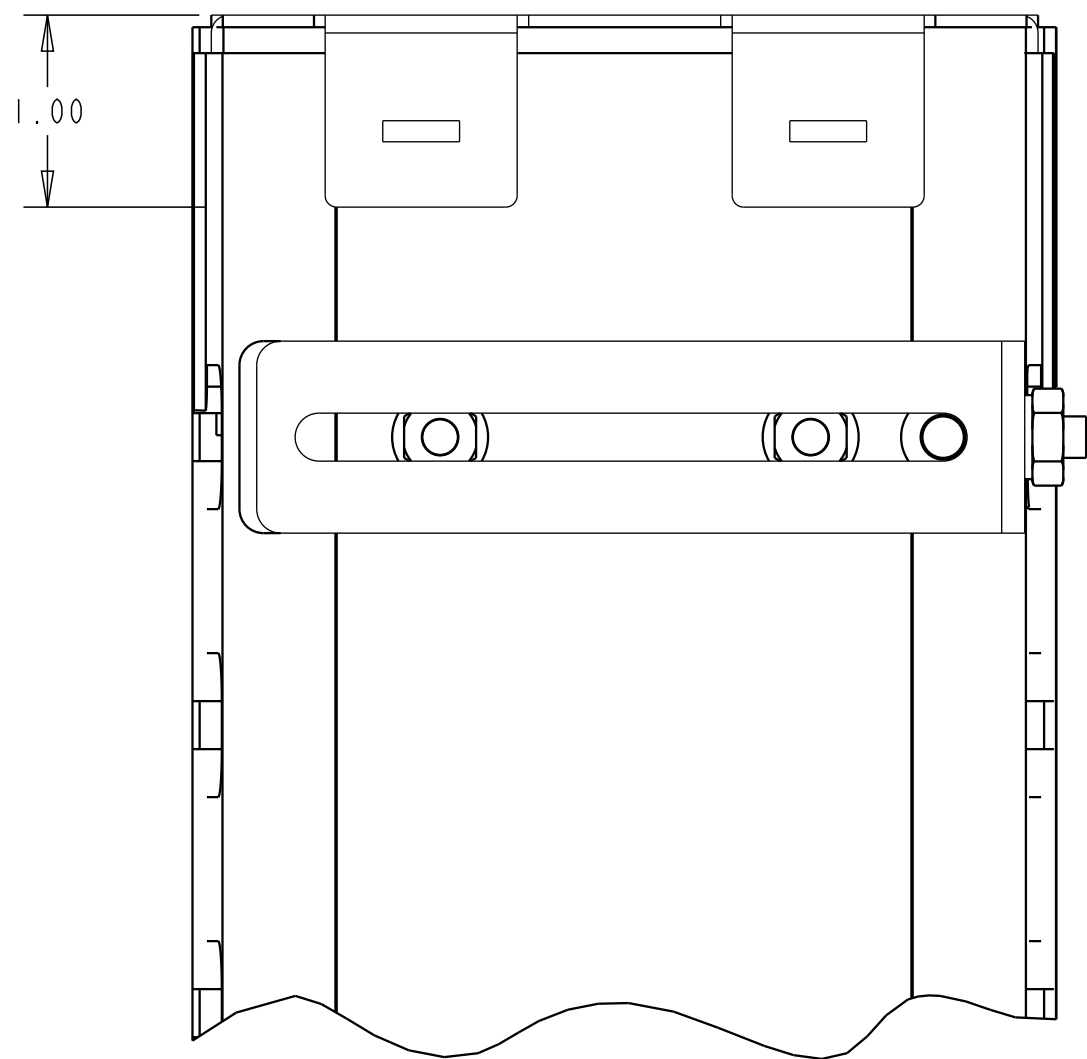
COMMSCOPE, INC.

<small>© 2016 COMMSCOPE, INC. CONFIDENTIAL NOTICE: THESE DRAWINGS AND SPECIFICATIONS ARE THE PROPRIETARY PROPERTY OF COMMSCOPE, INC. AND MAY BE USED ONLY FOR THE SPECIFIC PURPOSE AUTHORIZED IN WRITING BY COMMSCOPE, INC.</small>		FGS-KTW2-D-L3 CATALOG NUMBER		YELLOW COLOR	
<small>ALL DIMS AND TOLERANCES ARE INCHES UNLESS OTHERWISE SPECIFIED</small>		TITLE FIBERGUIDE, VERT 2X4 (INSTL DWG)		DRAWING NUMBER 300100112991	
<small>DO NOT SCALE DRAWING</small>		ENGR: RUBEN ARVILLA DWN: RUBEN ARVILLA		SHT. 1 OF 2	

**DIMENSIONS IN INCHES
THIRD ANGLE PROJECTION**



SCALE 0.900

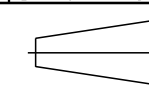
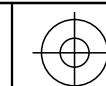


NOTES:

1. SLIDE COVER DOWN TO MIDWAY BETWEEN THE FIRST AND SECOND SLOTS ON THE STRAIGHT SECTION.
2. INSERT COVER RETAINER INTO THE STRAIGHT SECTION, POSITIONING THE (2) CURLED TABS INSIDE THE SLOT ON EACH SIDE OF THE STRAIGHT SECTION.
3. SNAP THE COVER RETAINER (2) CURLED TABS AROUND THE EDGES OF THE FIBERGUIDE STRAIGHT SECTION, AS SHOWN.
4. SLIDE THE COVER UP, THROUGH THE CURLED TABS ON THE COVER RETAINER, BACK TO THE ORIGINAL POSITION.
5. COVER RETAINER CAN ALSO BE INSERTED IN THE LAST SLOT ON THE STRAIGHT SECTION. INSTALLATION IS THE SAME, AFTER SLIDING THE COVER UP TO MIDWAY BETWEEN THE LAST AND SECOND TO LAST SLOTS ON THE STRAIGHT SECTION.

<small>© 2016 COMMSCOPE, INC. CONFIDENTIAL NOTICE: THESE DRAWINGS AND SPECIFICATIONS ARE THE PROPRIETARY PROPERTY OF COMMSCOPE, INC. AND MAY BE USED ONLY FOR THE SPECIFIC PURPOSE AUTHORIZED IN WRITING BY COMMSCOPE, INC.</small>		TITLE FIBERGUIDE, VERT 2X4 (INSTL DWG)	
<small>ALL DIMS AND TOLERANCES ARE INCHES UNLESS OTHERWISE SPECIFIED</small>	<small>.XX:±N/A .XXX:±N/A ANGULAR:±N/A</small>	C SIZE	DRAWING NUMBER 300100112991
DO NOT SCALE DRAWING		ENGR: RUBEN ARVILLA DWN: RUBEN ARVILLA	SHT. 2 OF 2

COMMSCOPE, INC.



**DIMENSIONS IN INCHES
THIRD ANGLE PROJECTION**