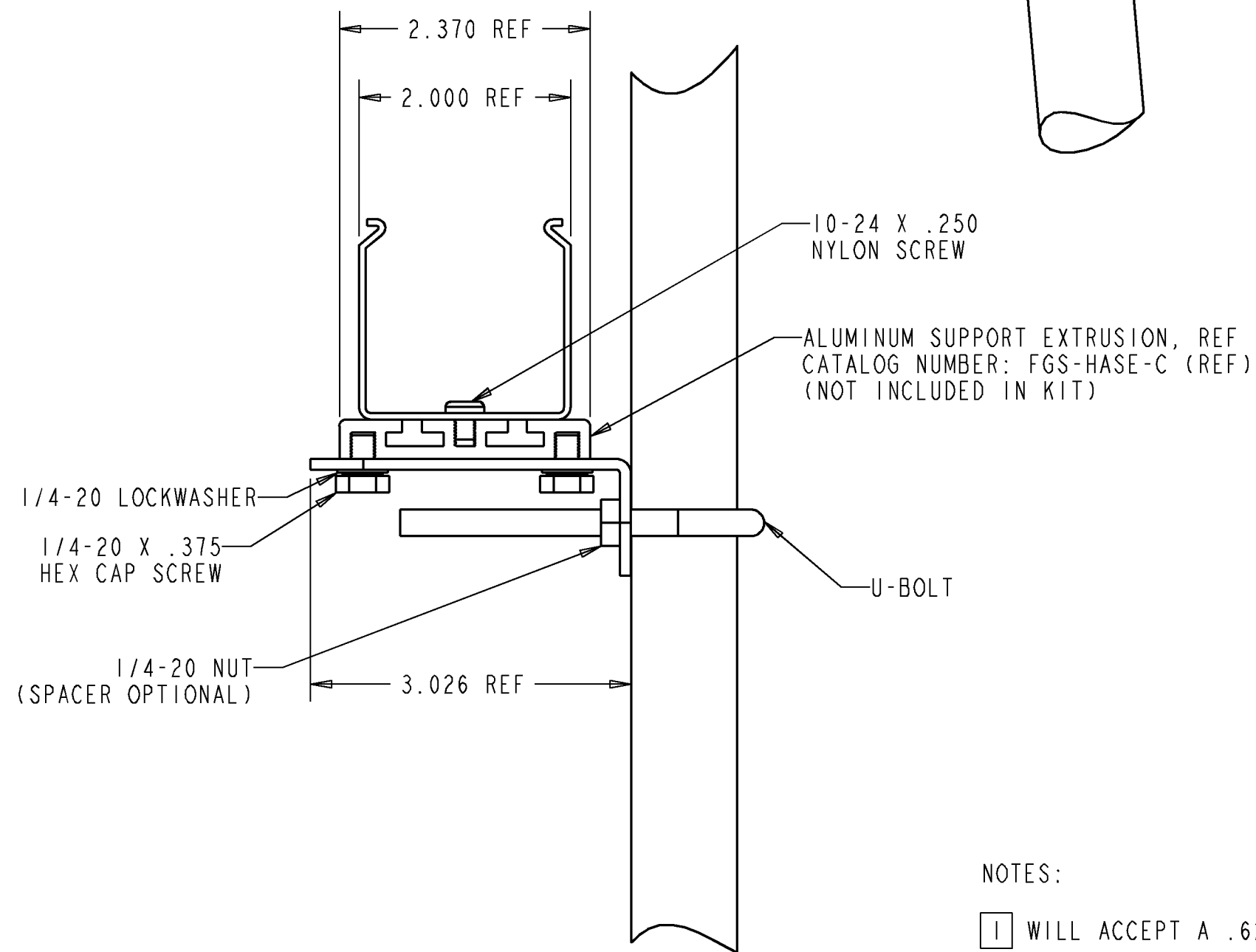
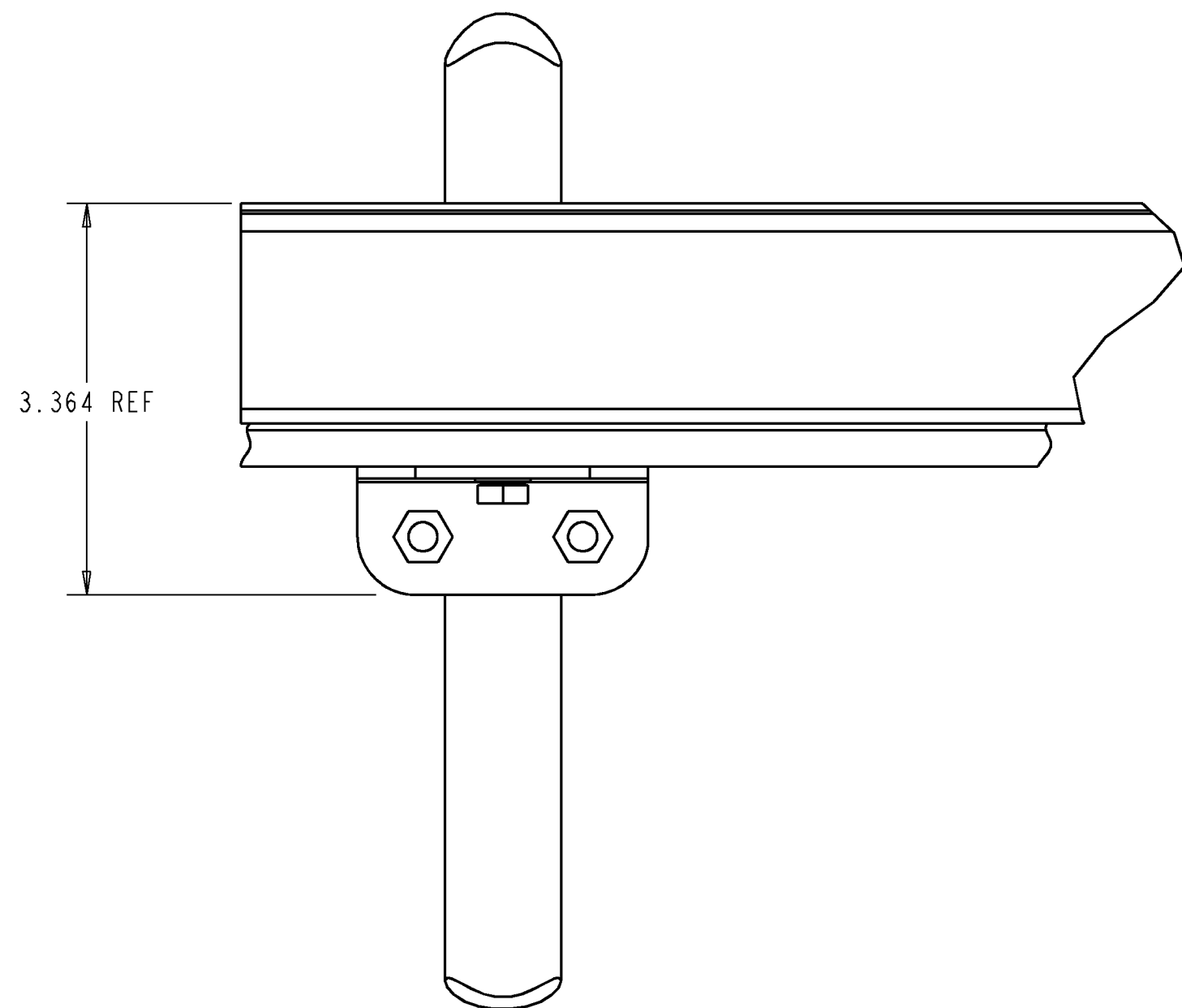
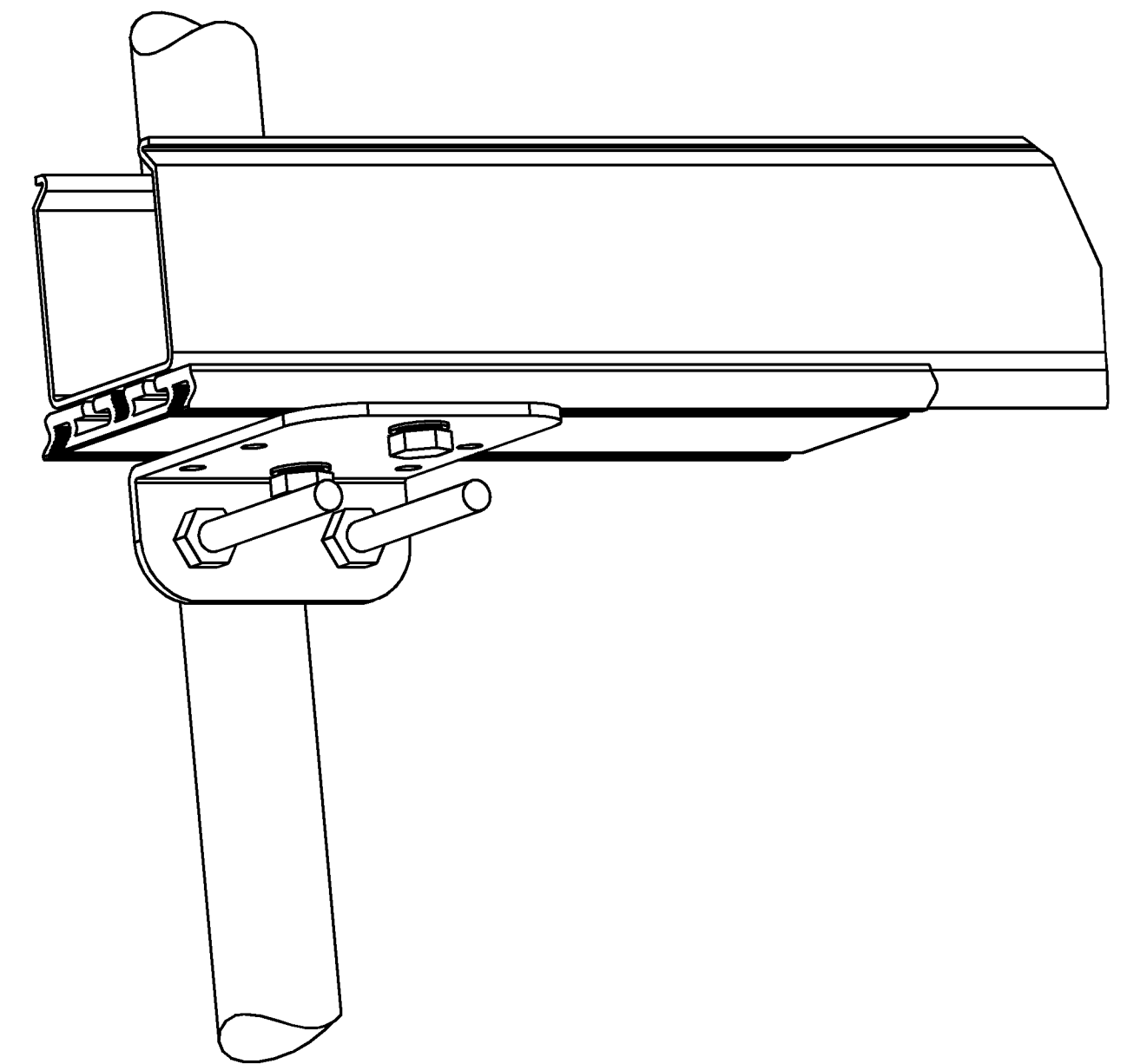
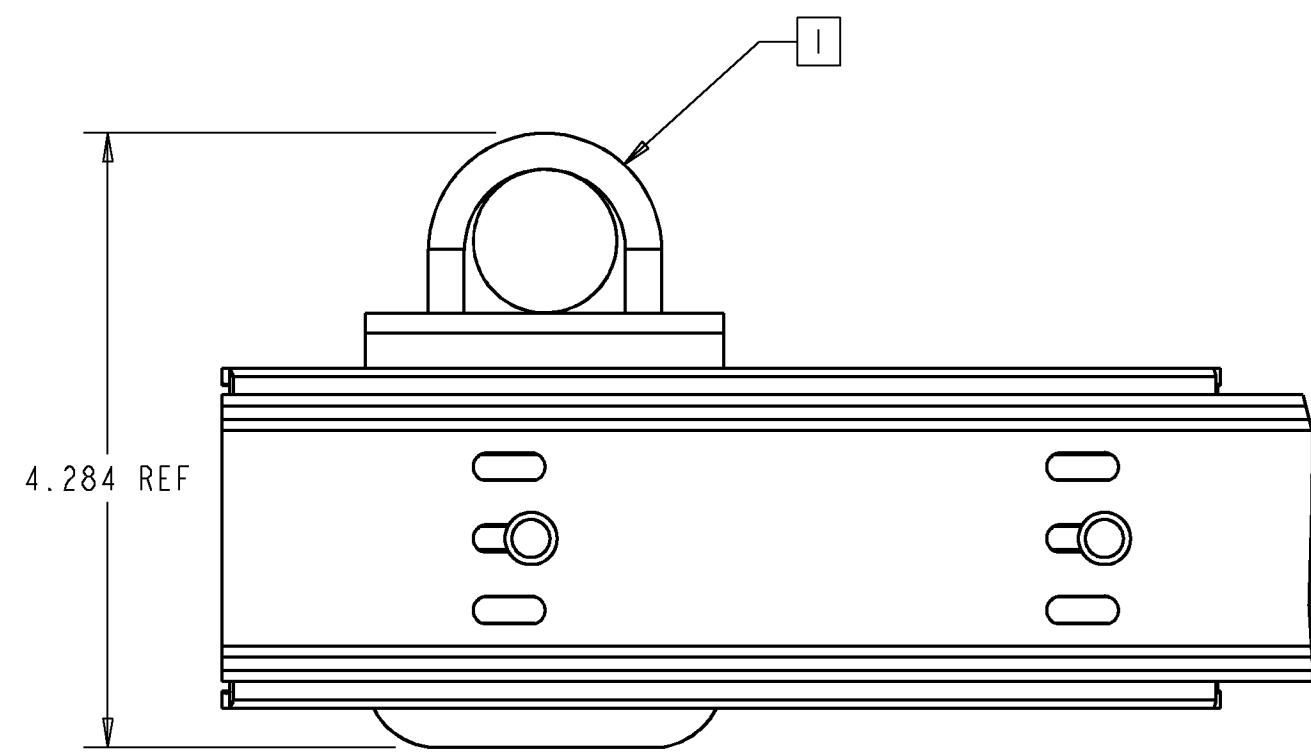


REV	ECO	DWN	DATE
B	20080716	SV	23-FEB-01
C	20080959	CDZ	01-MAR-01



NOTES:

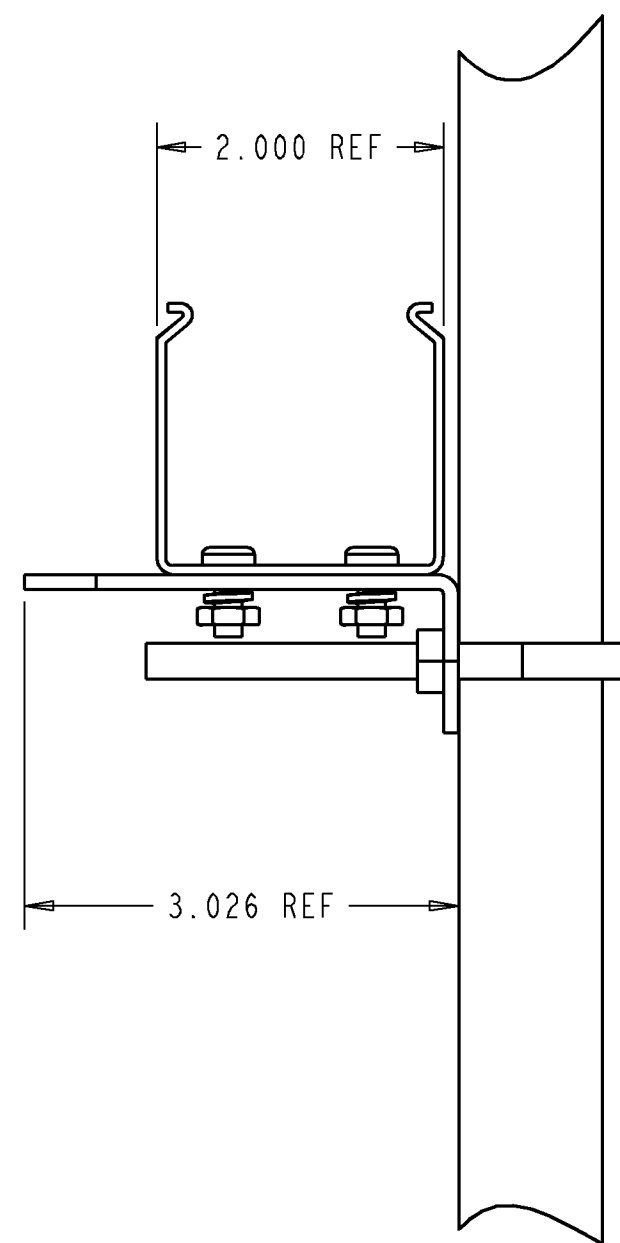
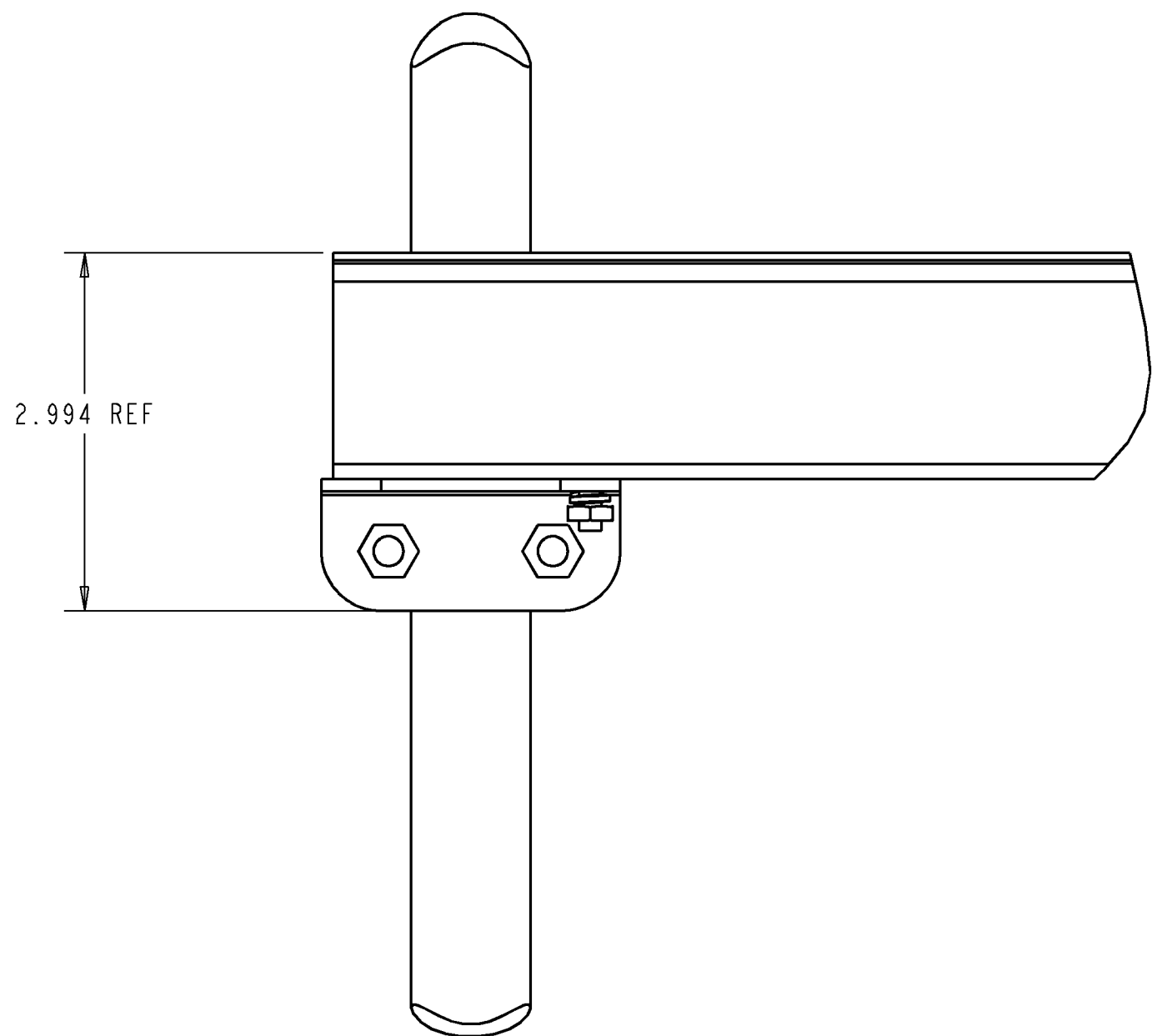
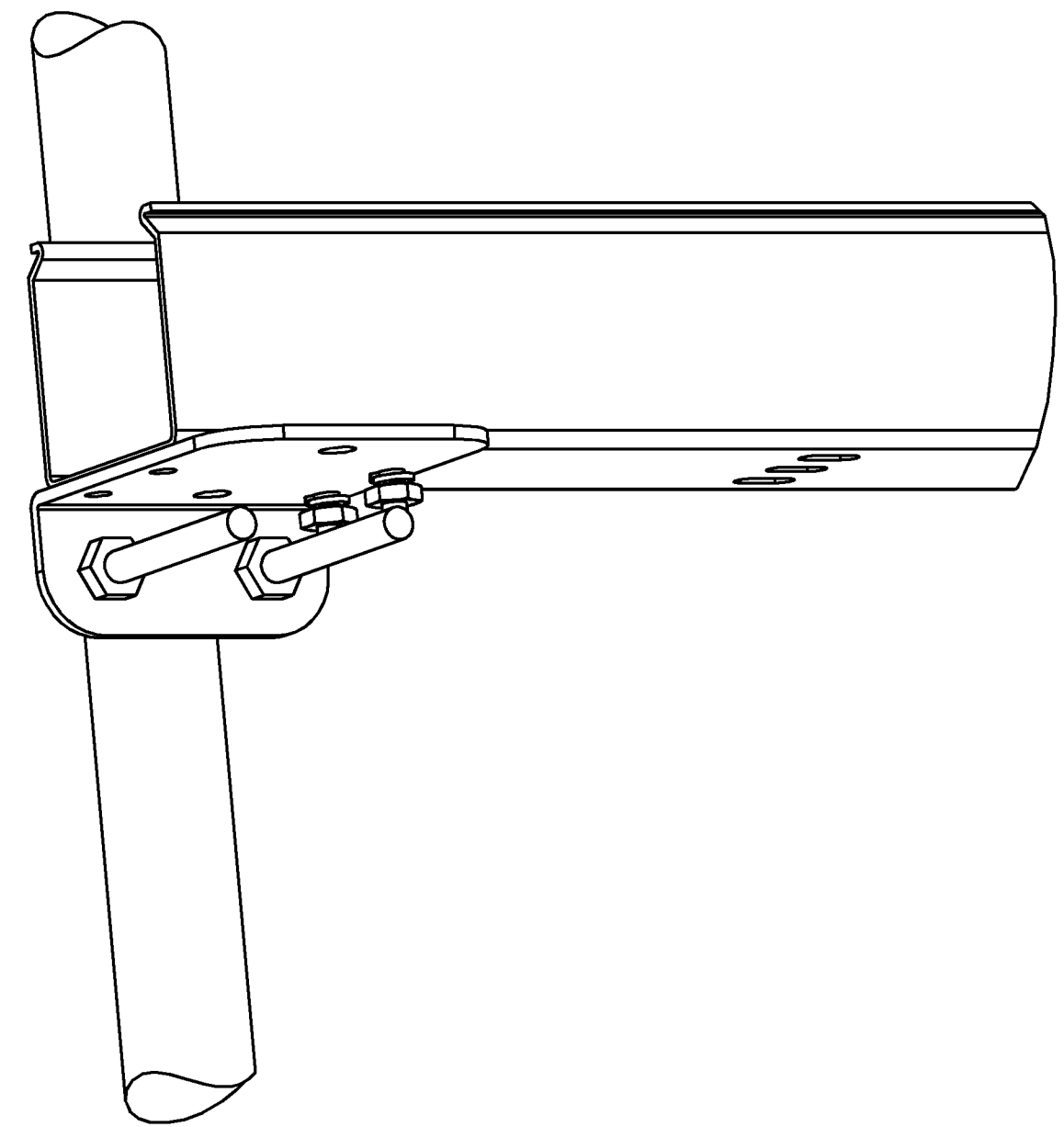
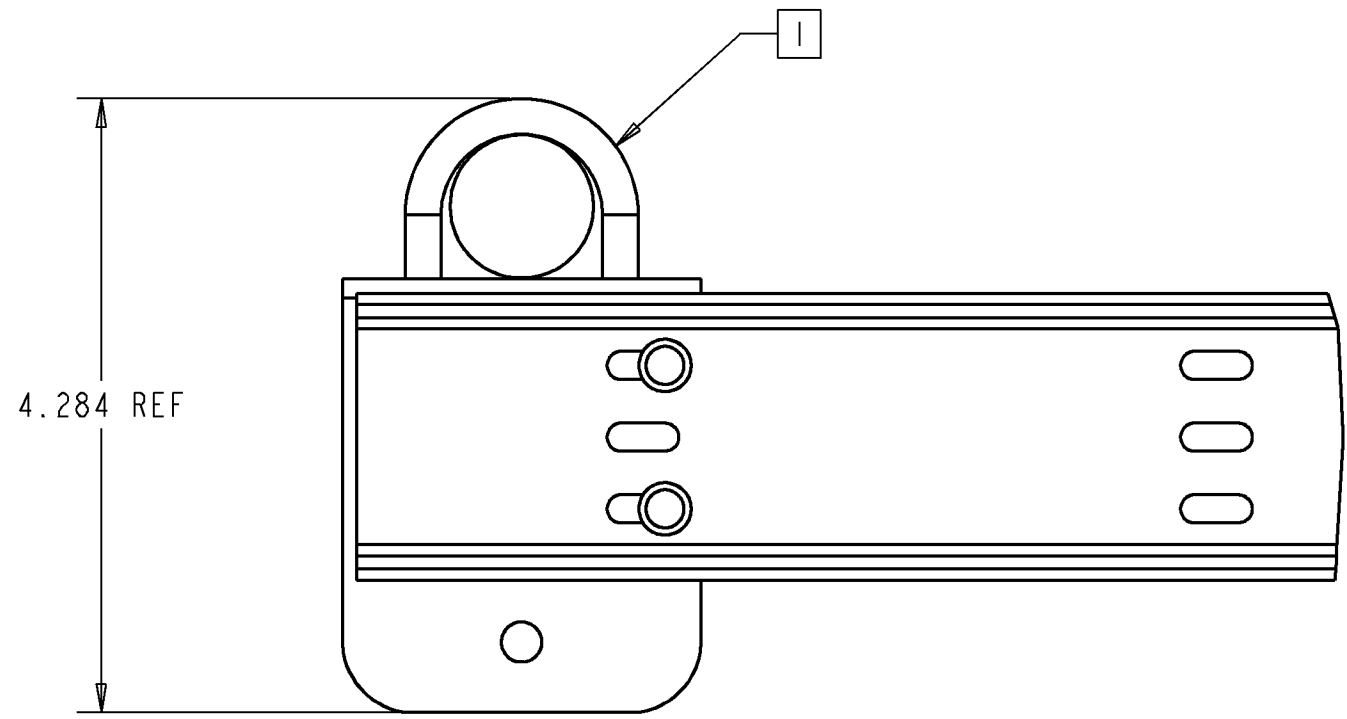
1 WILL ACCEPT A .625 TO 1.125 ROUND OR SQUARE POST.

2. USE SPACER F/N 010 ON U-BOLT IF NEEDED.



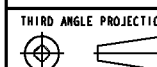
INFORMATION ON THIS DOCUMENT IS PROPRIETARY TO ADC AND SHALL NOT BE USED, COPIED, REPRODUCED OR DISCLOSED IN WHOLE OR IN PART WITHOUT WRITTEN CONSENT OF ADC.		TITLE FIBERGUIDES UNDER FLOOR BRACKET INSTALLATION DRAWING	
TOLERANCE UNLESS OTHERWISE SPECIFIED .XX: .XXX: ANGULAR: .XXXX: .XXXXX: .XXXXXX: .XXXXXXX: .XXXXXXX:	DO NOT SCALE DRAWING	ENGR: R. HENNEBERGER DWN: D. CARPENTER	DRAWING NUMBER 4-29000-3131
THIRD ANGLE PROJECTION			SHT. 1 OF 2

REV	ECO	DWN	DATE



OPTIONAL MOUNTING
WITHOUT SUPPORT EXTRUSION



INFORMATION ON THIS DOCUMENT IS PROPRIETARY TO ADC AND SHALL NOT BE USED, COPIED, REPRODUCED OR DISCLOSED IN WHOLE OR IN PART WITHOUT WRITTEN CONSENT OF ADC.		TITLE FIBERGUIDES UNDER FLOOR BRACKET INSTALLATION DRAWING	
TOLERANCE UNLESS OTHERWISE SPECIFIED .XX: ----- .XXX: ----- ANGULAR: -----	C SIZE	DRAWING NUMBER 4-29000-3131	C REV
THIRD ANGLE PROJECTION 	DO NOT SCALE DRAWING	ENGR: R. HENNEBERGER DWN: D. CARPENTER	SHT. 2 OF 2