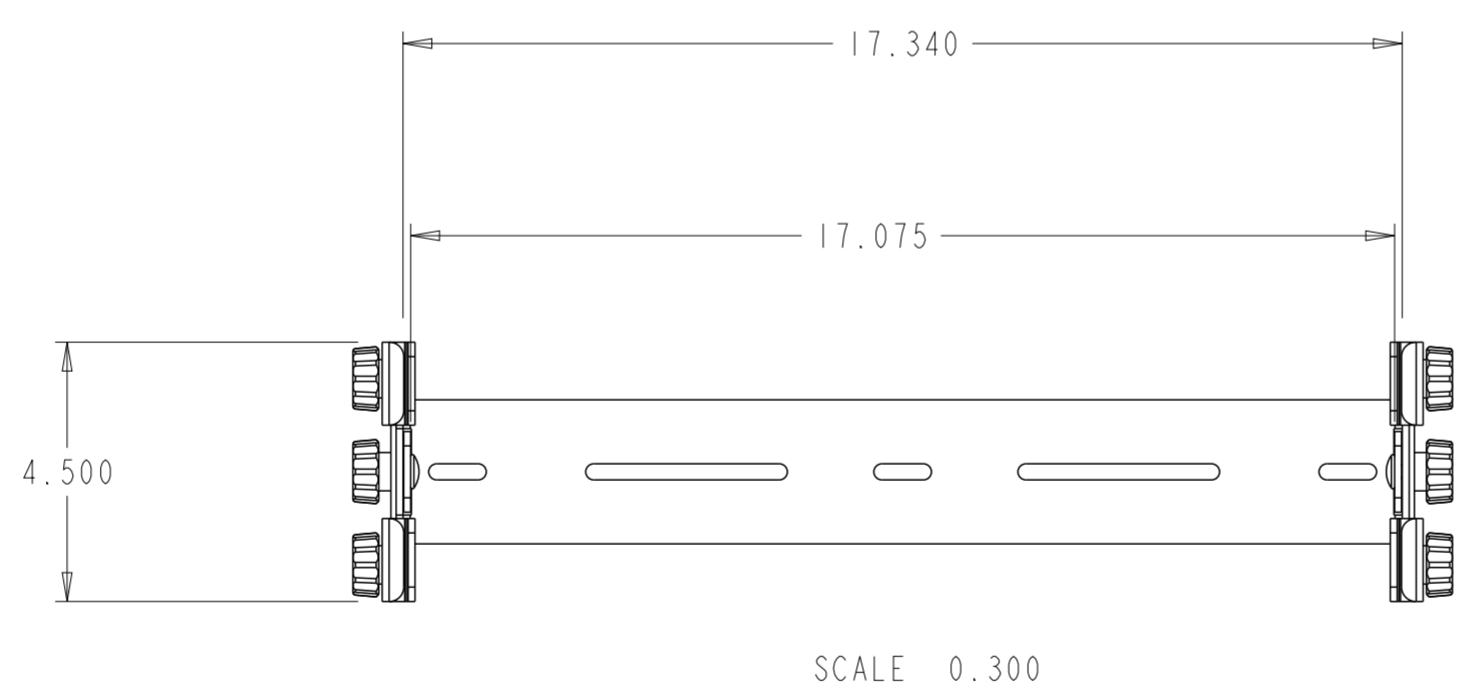
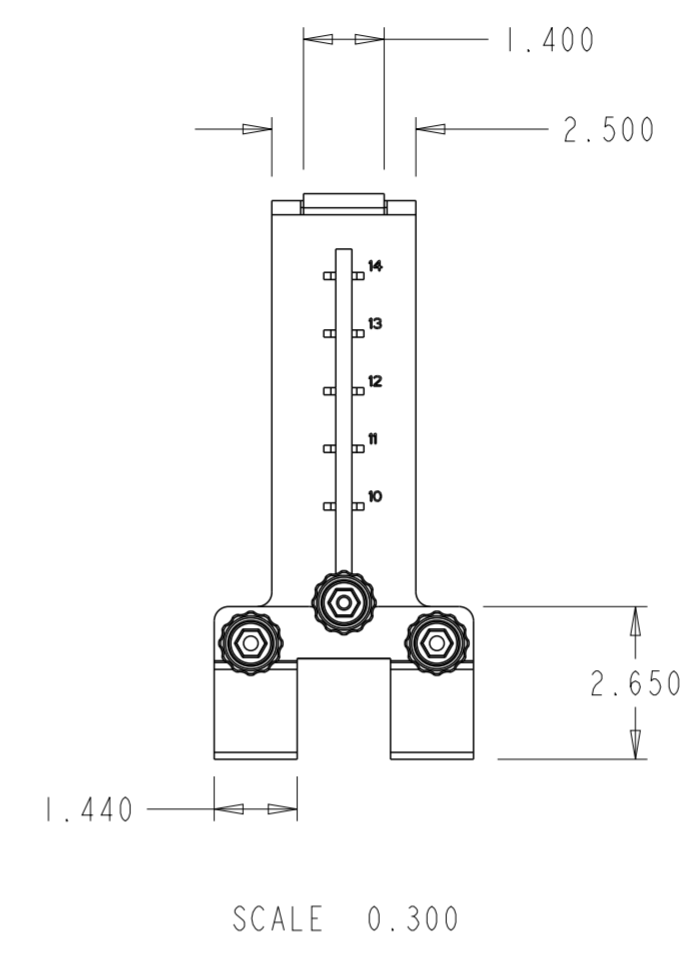
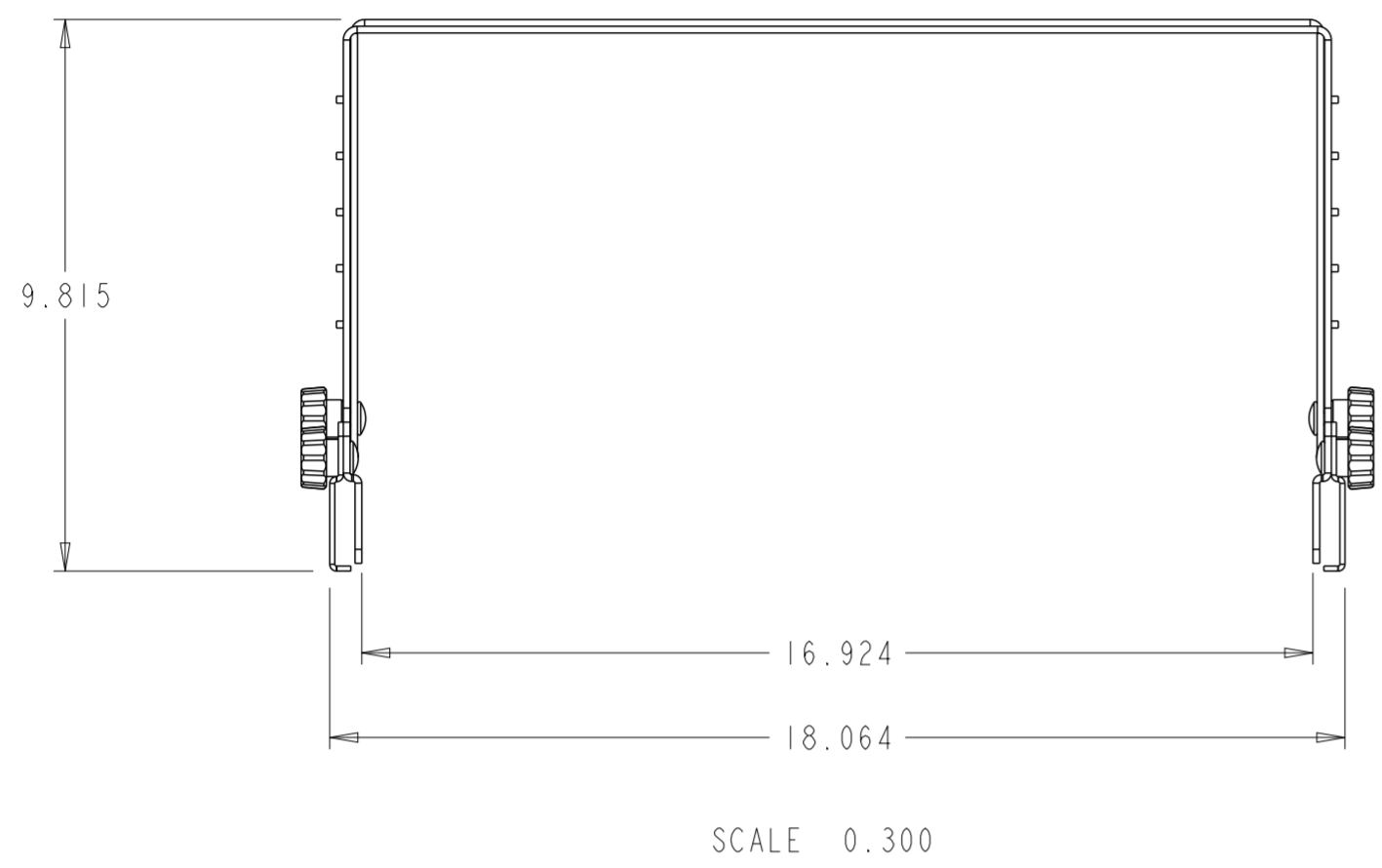
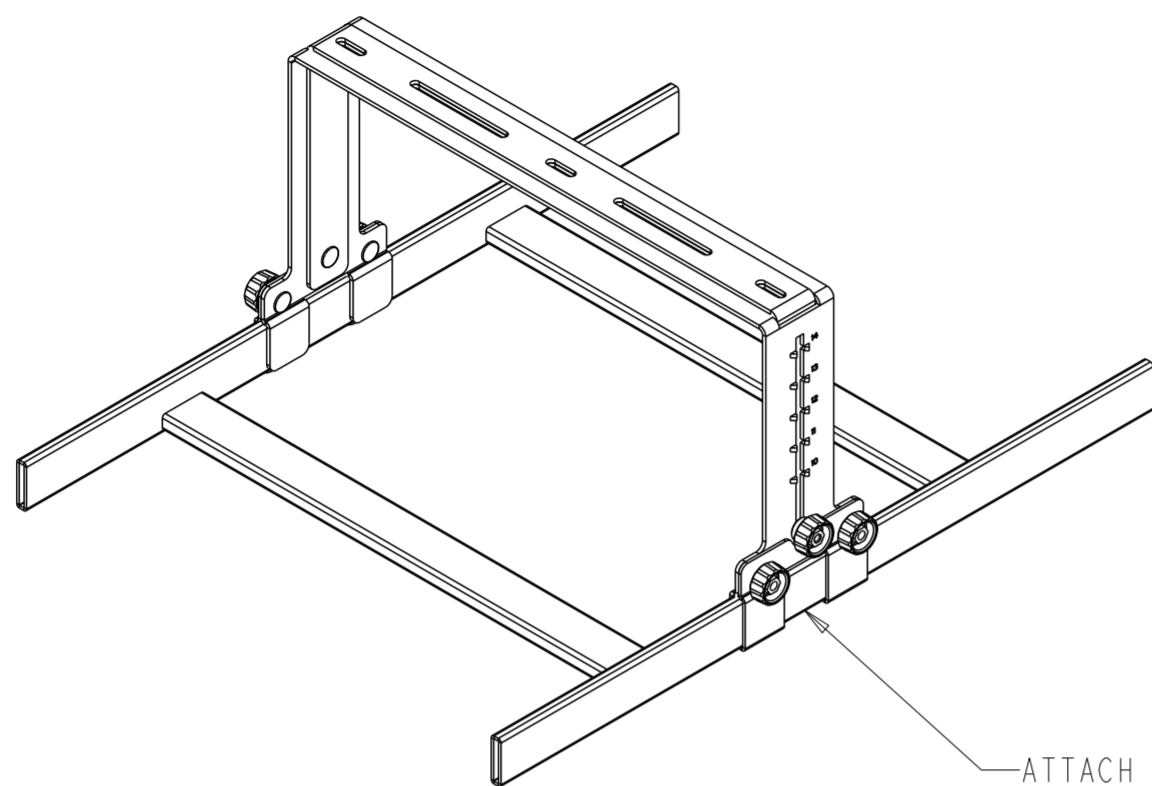


TOOL-LESS FGS SUPPORT BRACKET 18"

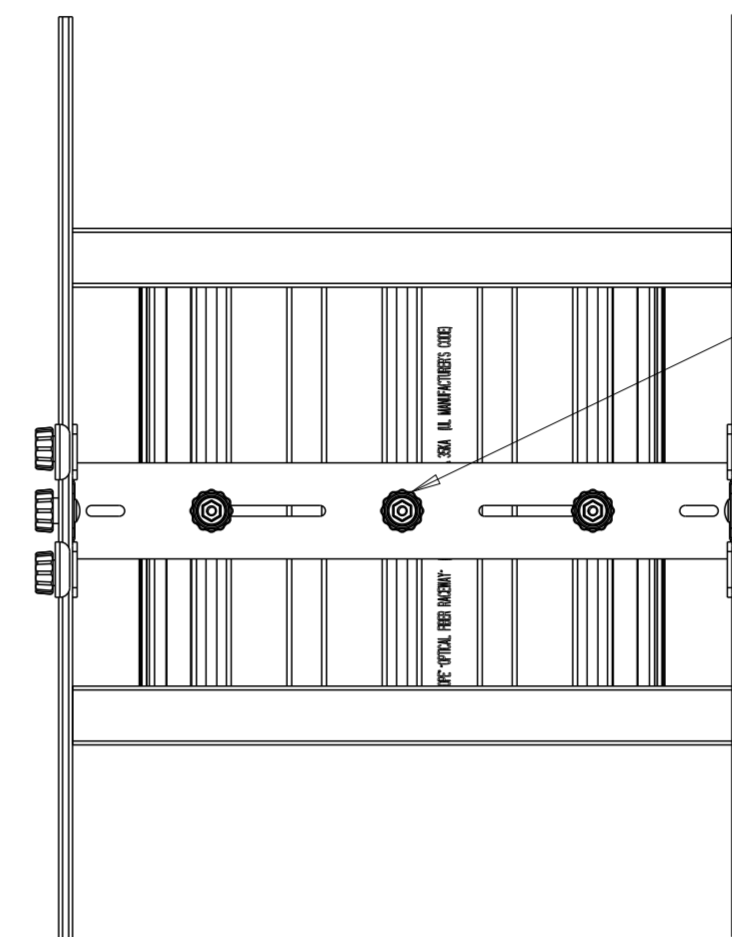


|                               |  |  |                 |
|-------------------------------|--|--|-----------------|
| <b>COMMSCOPE, INC.</b>        |  |  |                 |
| DRAFTER<br>MIGUEL ANGEL MUÑOZ |  | TITLE<br>TOOL-LESS FGS SUPPORT BRACKET |                 |
| ENGINEER<br>RUBEN ARVILLA     |  | SIZE<br>A2                             | SCALE<br>0.125  |
|                               |  | DOCUMENT NO.<br><b>660002770</b>       |                 |
|                               |  | CUSTOMER DRAWING                       |                 |
|                               |  | REVISION<br>A                          | SHEET<br>1 OF 4 |

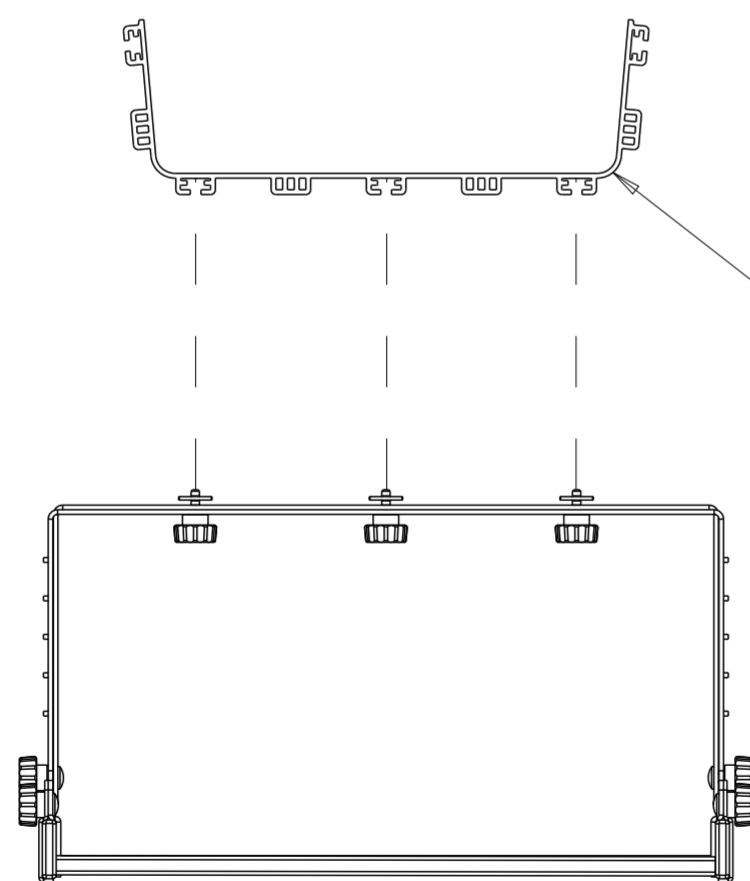
FIBER GUIDE 12"



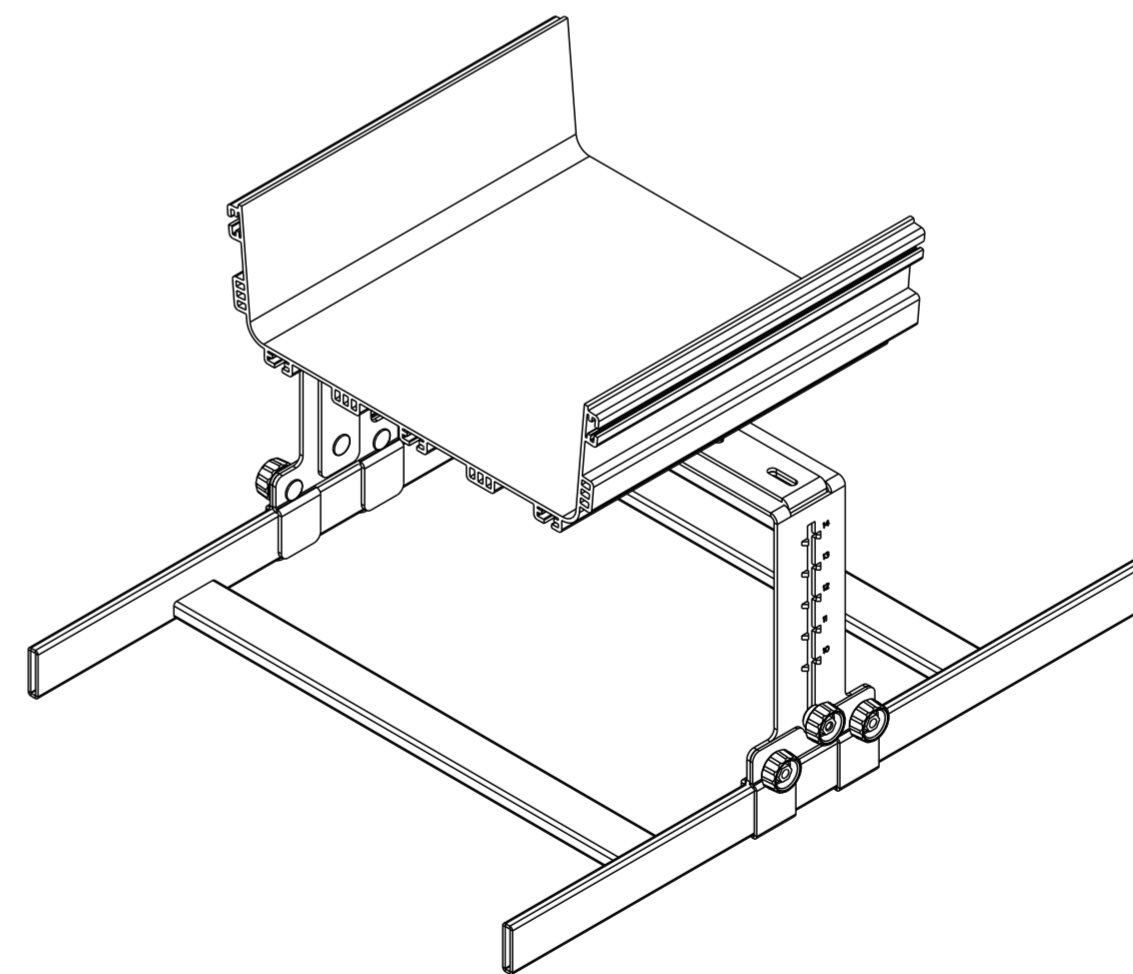
SCALE 0.200



SCALE 0.200

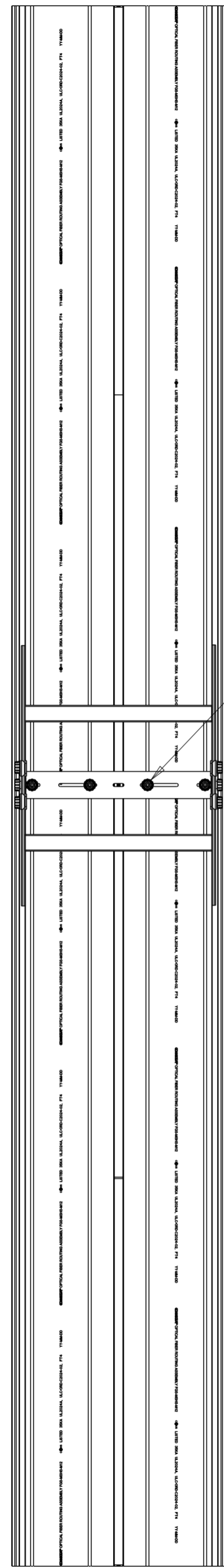


SCALE 0.200



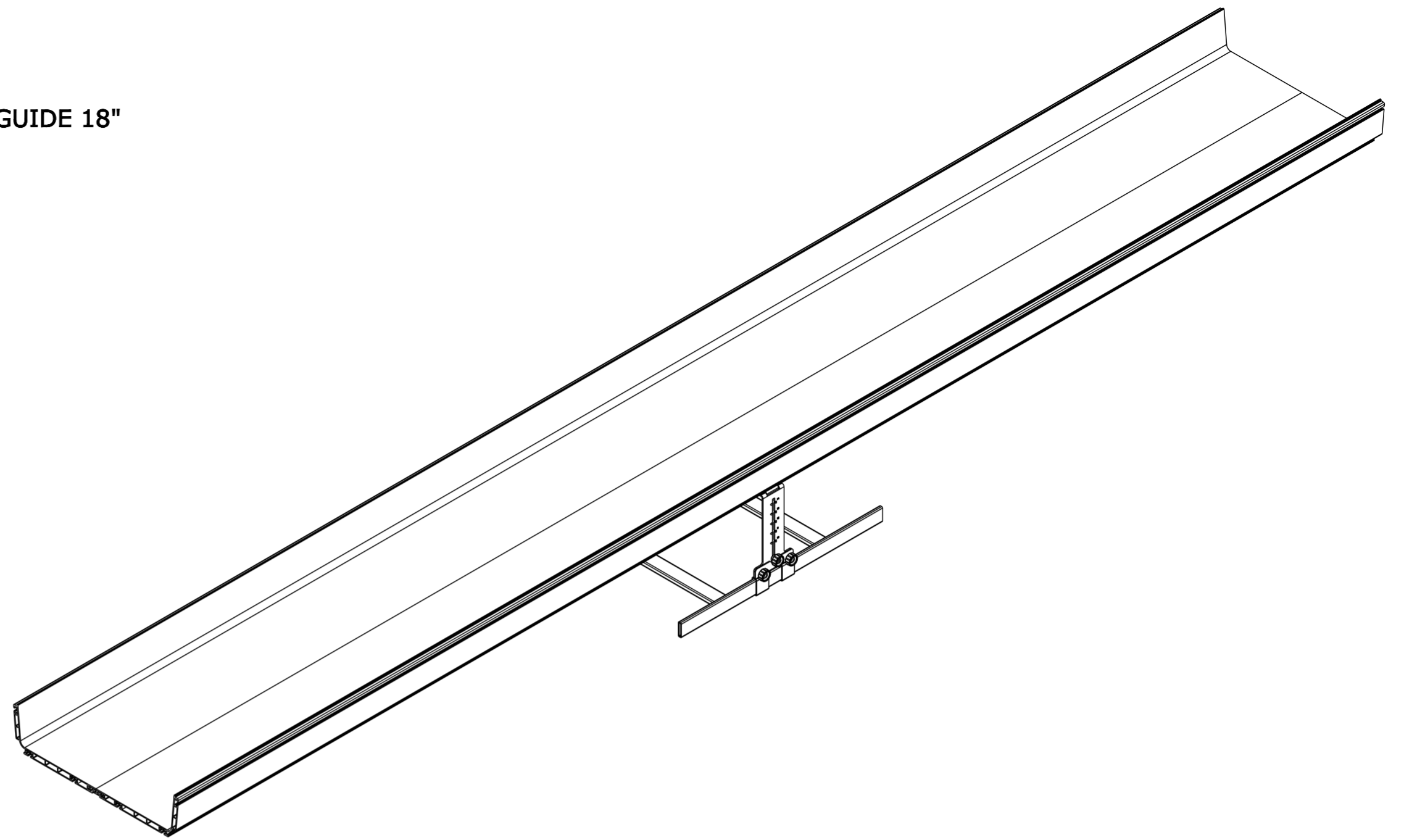
SCALE 0.200

|                               |  |  |                 |
|-------------------------------|--|--|-----------------|
| <b>COMMSCOPE, INC.</b>        |  |  |                 |
| DRAFTER<br>MIGUEL ANGEL MUÑOZ |  | TITLE<br>TOOL-LESS FGS SUPPORT BRACKET |                 |
| ENGINEER<br>RUBEN ARVILLA     |  | SIZE<br>A2                             | SCALE<br>0.125  |
|                               |  | DOCUMENT NO.<br><b>660002770</b>       |                 |
| CUSTOMER DRAWING              |  |  | REVISION<br>A   |
|                               |  |  | SHEET<br>2 OF 4 |



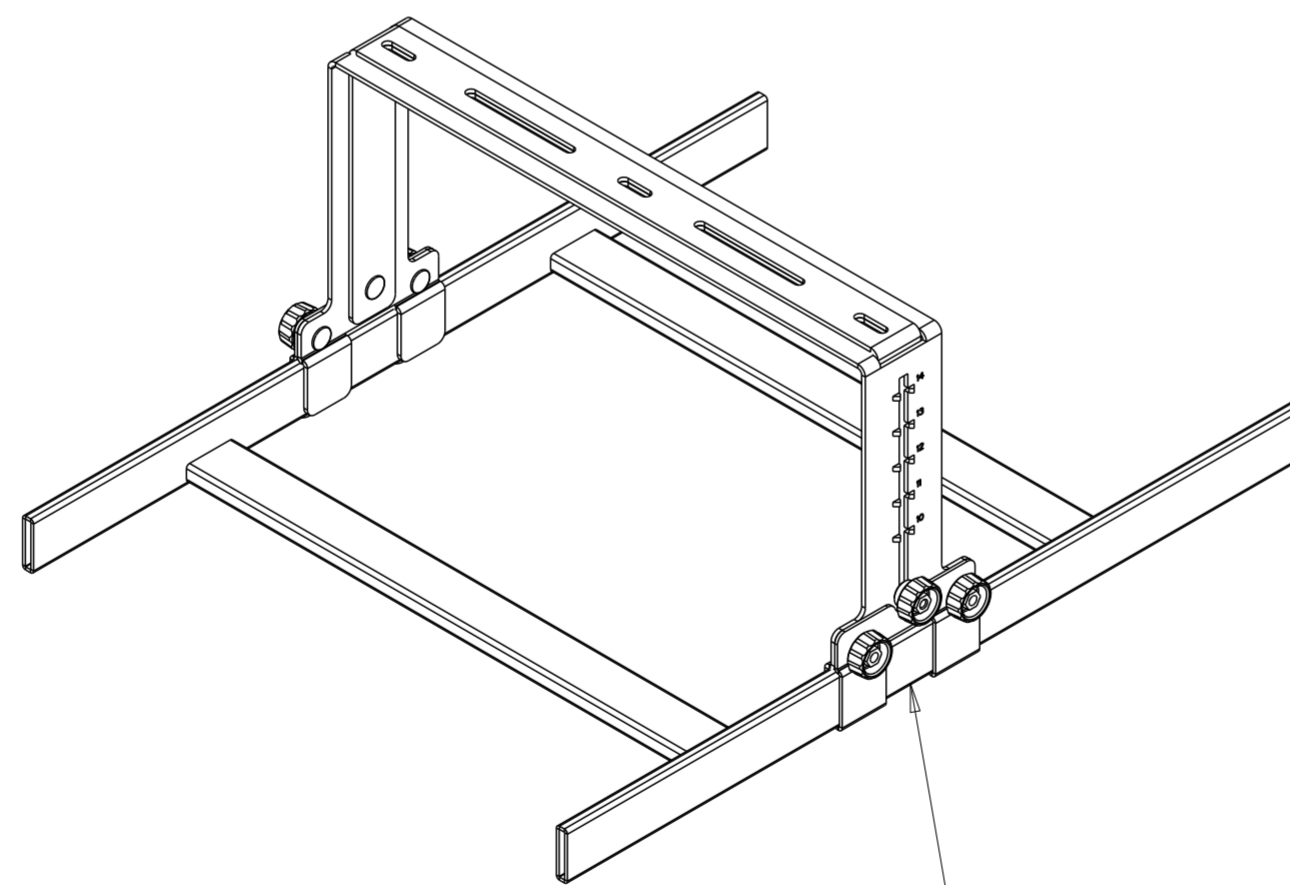
SCALE 0.100

FIBER GUIDE 18"



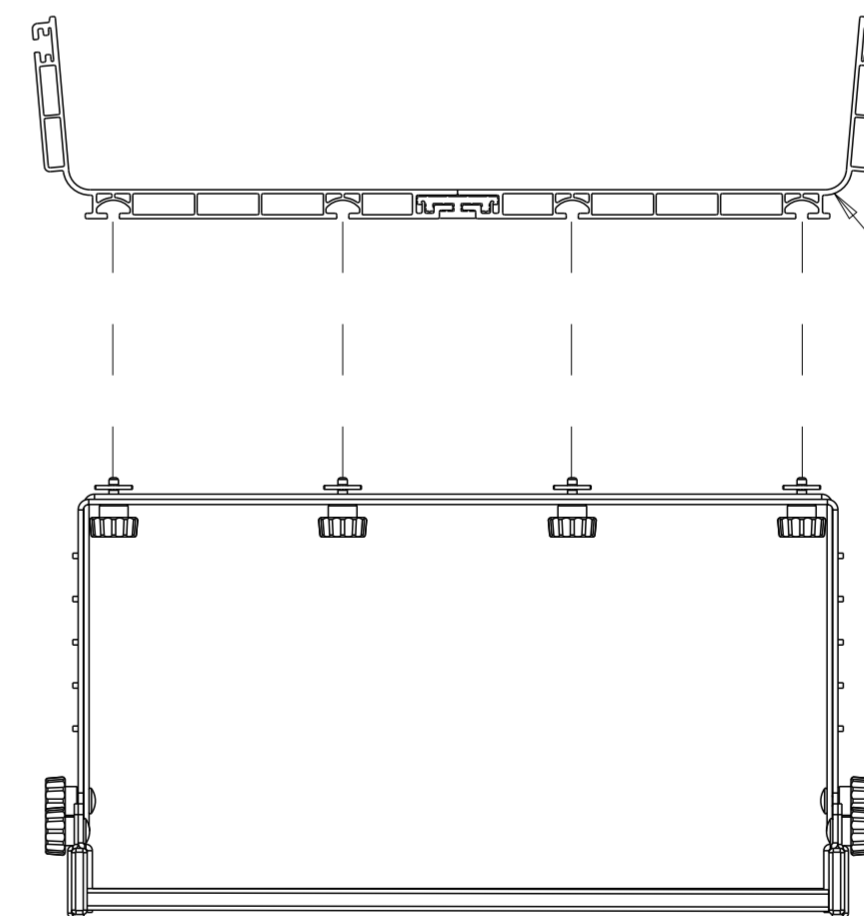
SCALE 0.100

ATTACH QUICK KNOB WITH T-BOLT  
WITH THE FIBER GUIDE 12"



SCALE 0.225

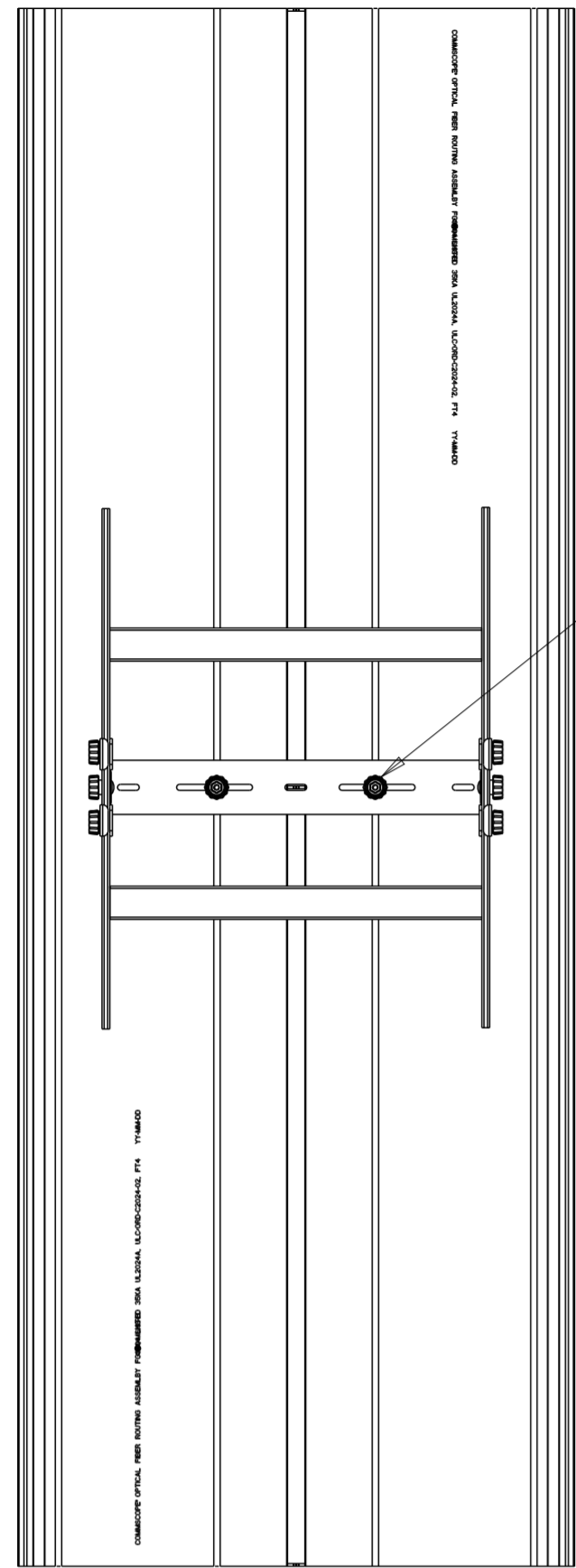
ATTACH THE LADDER SORRAIL WITH THE SUPPORT  
BRACKET AND SUPPORT TIGHTEN BRACKET



INSERT FIBER GUIDE IN THE  
QUICK KNOB WITH T-BOLT

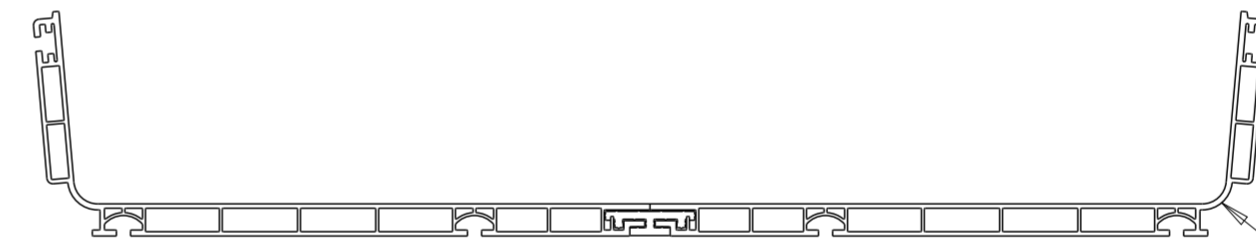
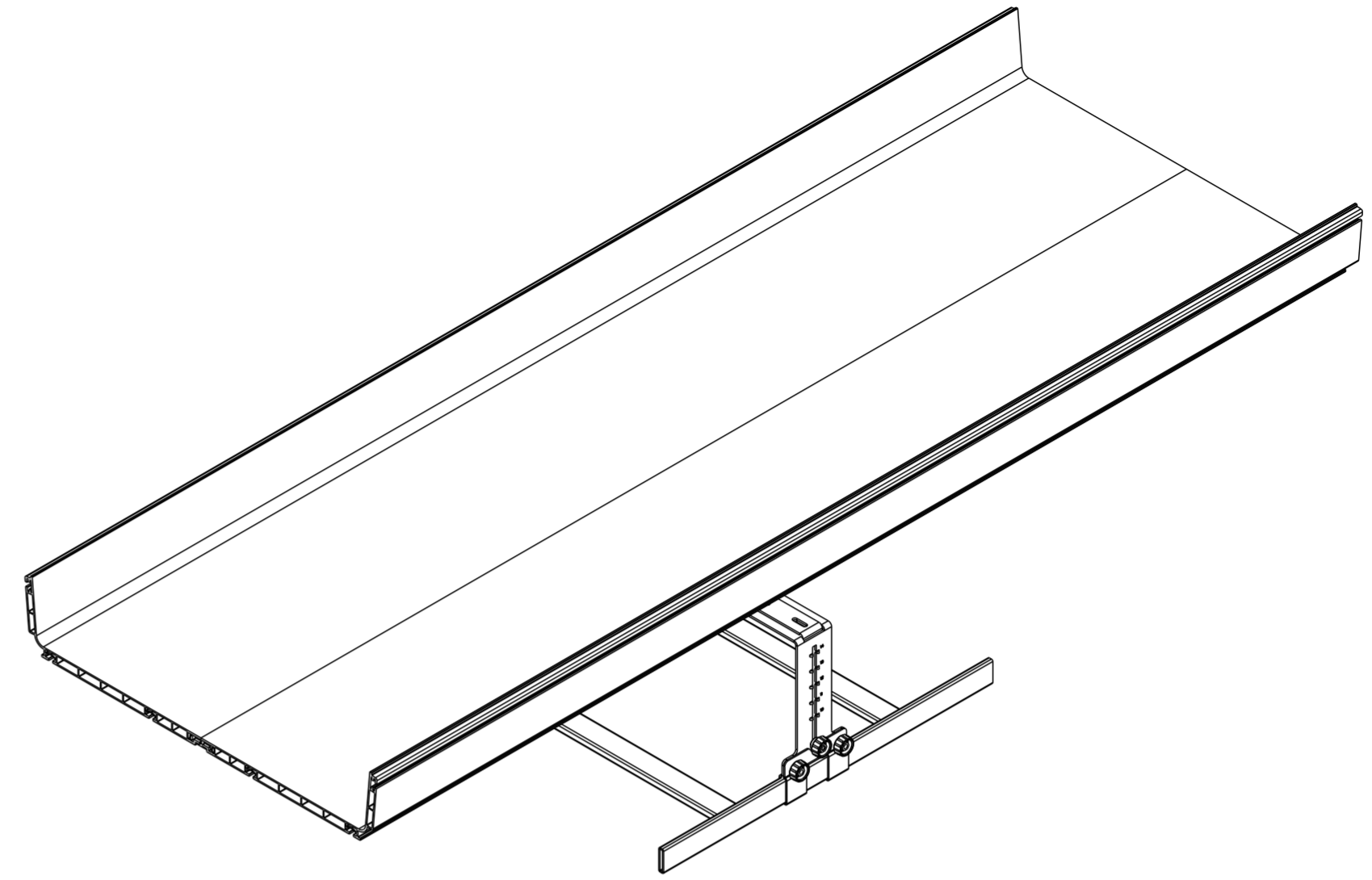
SCALE 0.225

|                               |  |  |                 |
|-------------------------------|--|--|-----------------|
| <b>COMMSCOPE, INC.</b>        |  |  |                 |
| DRAFTER<br>MIGUEL ANGEL MUÑOZ |  | TITLE<br>TOOL-LESS FGS SUPPORT BRACKET |                 |
| ENGINEER<br>RUBEN ARVILLA     |  | SIZE<br>A2                             | SCALE<br>0.125  |
|                               |  | DOCUMENT NO.<br><b>660002770</b>       |                 |
| CUSTOMER DRAWING              |  |  | REVISION<br>A   |
|                               |  |  | SHEET<br>3 OF 4 |

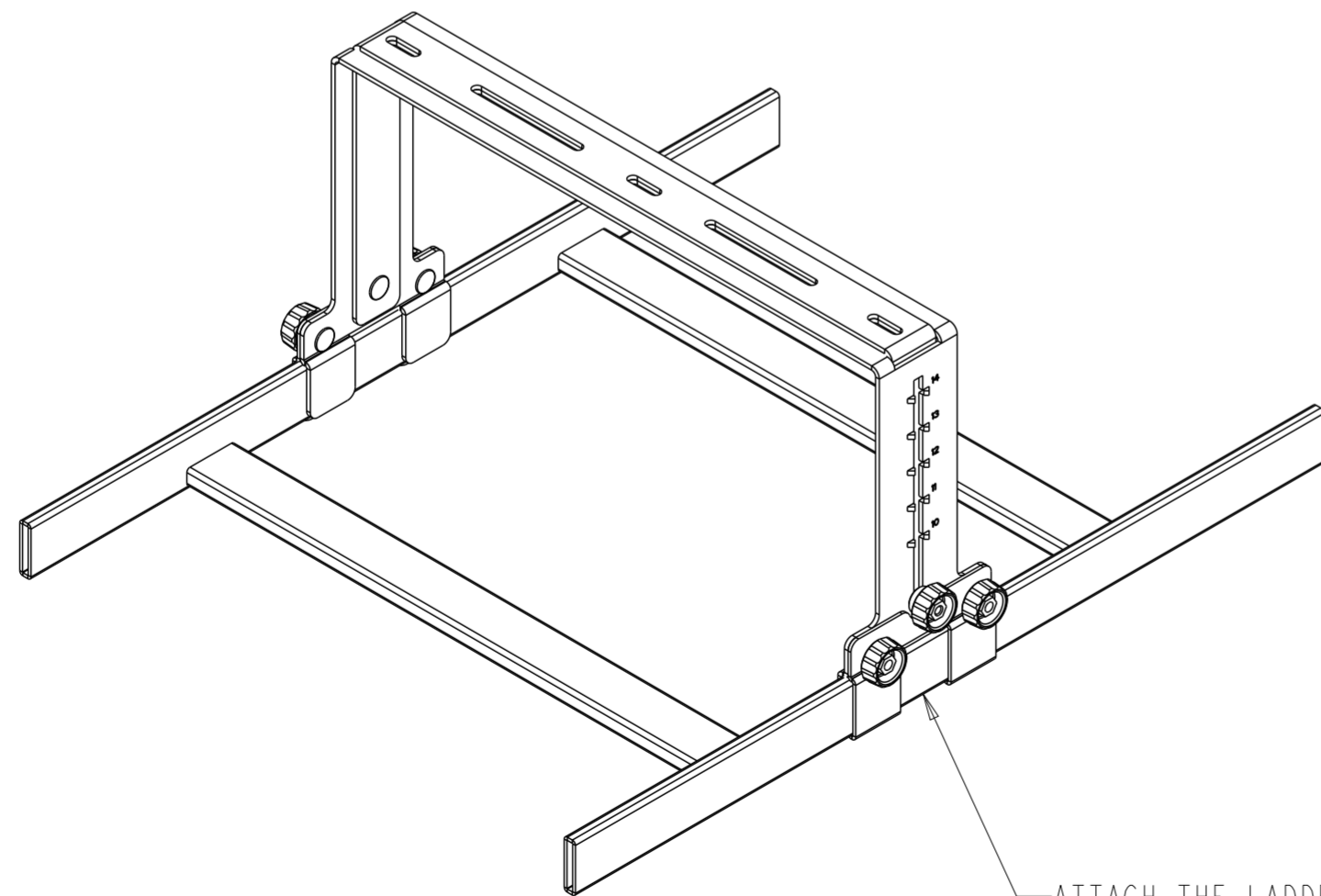


FIBER GUIDE 24"

ATTACH QUICK KNOB WITH T-BOLT WITH THE FIBER GUIDE 12"

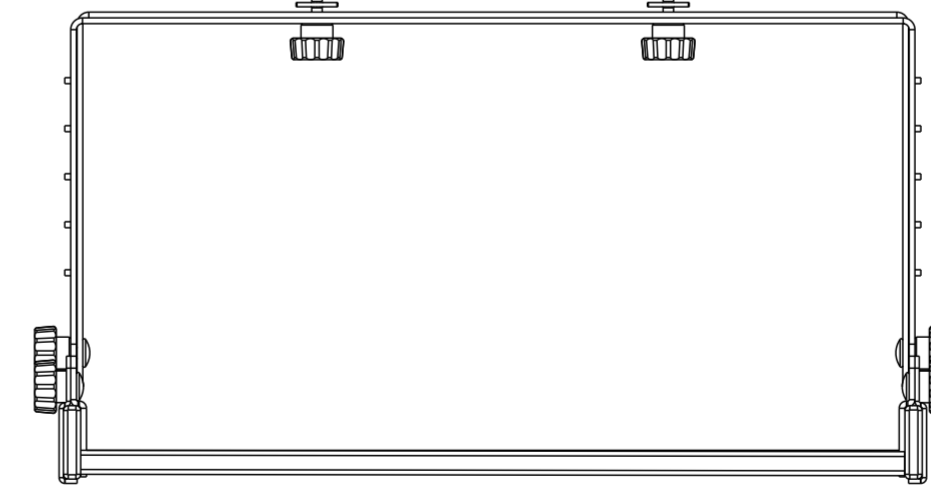


INSERT FIBER GUIDE IN THE QUICK KNOB WITH T-BOLT



SCALE 0.250

ATTACH THE LADDER SORRAIL WITH THE SUPPORT BRACKET AND SUPPORT TIGHTEN BRACKET



SCALE 0.250

|                               |  |  |                 |
|-------------------------------|--|--|-----------------|
| <b>COMMSCOPE, INC.</b>        |  |  |                 |
| DRAFTER<br>MIGUEL ANGEL MUÑOZ |  | TITLE<br>TOOL-LESS FGS SUPPORT BRACKET |                 |
| ENGINEER<br>RUBEN ARVILLA     |  | SIZE<br>A2                             | SCALE<br>0.125  |
|                               |  | DOCUMENT NO.<br><b>660002770</b>       |                 |
| CUSTOMER DRAWING              |  |  | REVISION<br>A   |
|                               |  |  | SHEET<br>4 OF 4 |