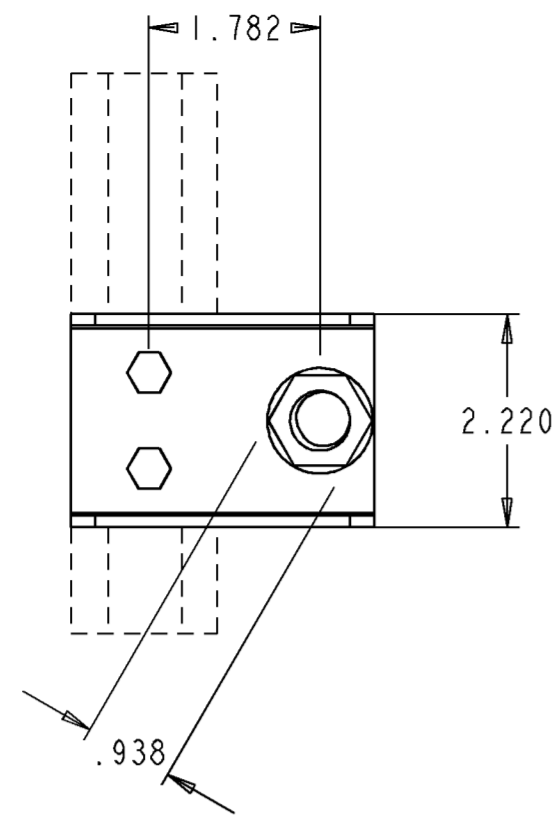


REV	MCO	DWN	DATE
A	20266039	JJBM	09-JUN-09



5/8-11 THREADED ROD
(NOT SUPPLIED)

2

FGS-HNTR-5/8
(SUPPLIED SEPARATELY)

2

1 WASHER (2)

1 HEX NUT (2)

.670

1.526

3.158

NOTES:

- 1 ITEM INCLUDED IN KIT.
- 2 ITEM NOT INCLUDED IN KIT.

CATALOG NUMBER: FGS-HDGR



INFORMATION ON THIS DOCUMENT IS PROPRIETARY TO ADC AND SHALL NOT BE USED, COPIED, REPRODUCED OR DISCLOSED IN WHOLE OR IN PART WITHOUT WRITTEN CONSENT OF ADC. ALL DIMS AND TOLERANCES ARE INCHES UNLESS OTHERWISE SPECIFIED .XX:±N/A .XXX:±N/A ANGULAR:±N/A	TITLE		FIBERGUIDES STRUT BRACKET KIT	
	C SIZE	DRAWING NUMBER	1474531	
DO NOT SCALE DRAWING	ENGR: DEREK SAYRES	SHT. 1 OF 1		A REV
	DWN: JAHIR BARBOZA			

**DIMENSIONS IN INCHES
THIRD ANGLE PROJECTION**