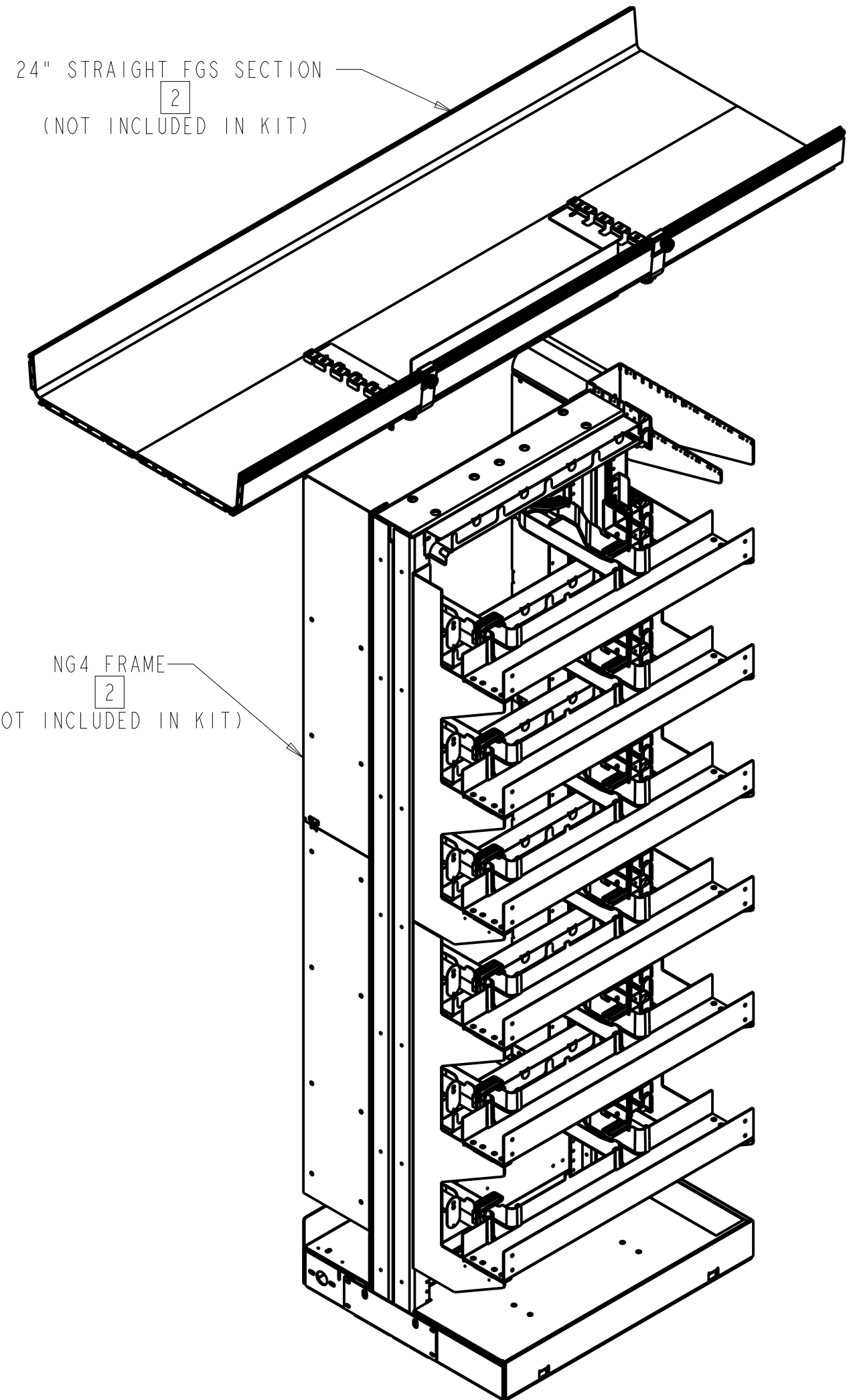
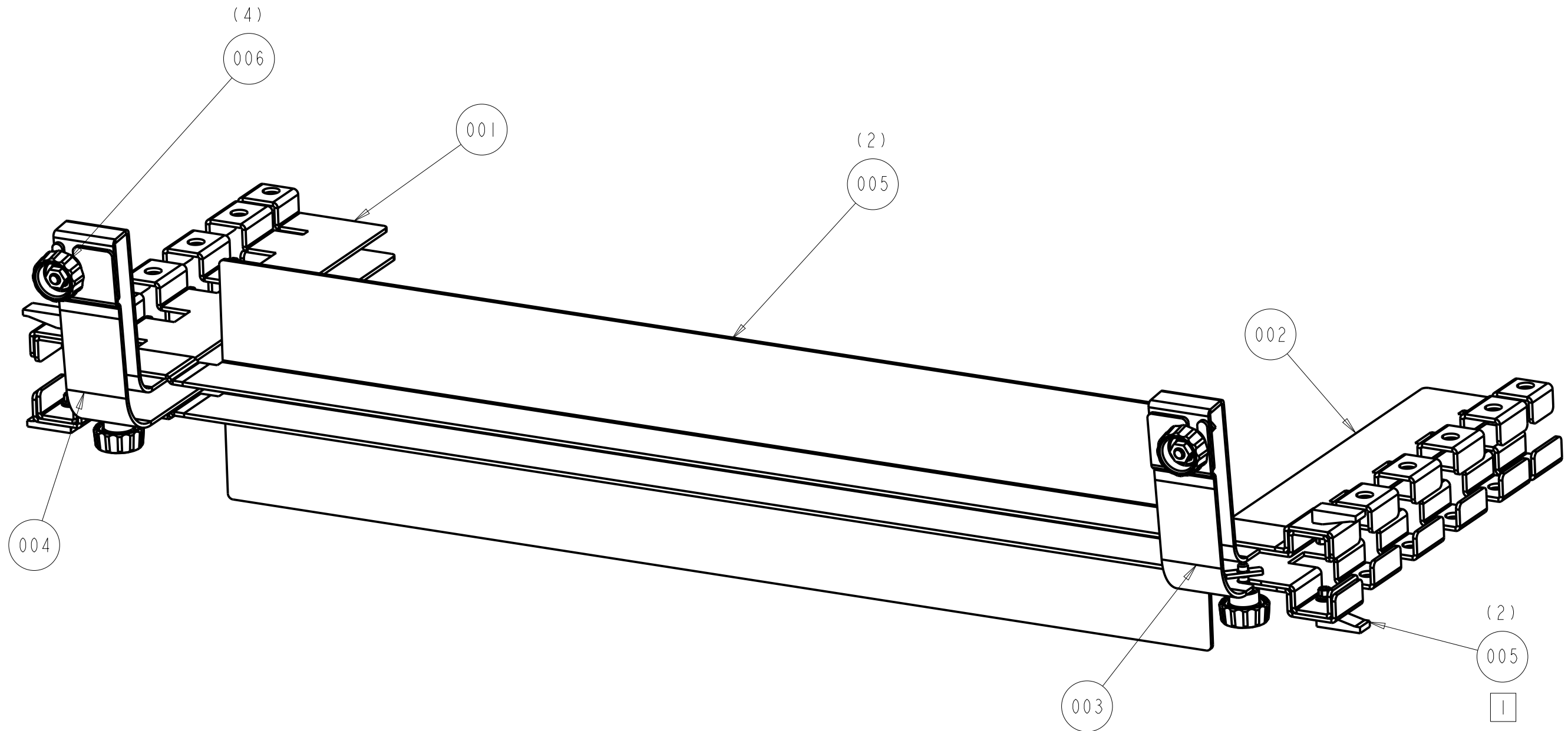


REV.	MCO	DWN	DATE
A	40010857MCO	HUH	11-DEC-13
B	8000019180	SC	20-JAN-17

# CUT-IN JIG KIT FOR FLEX-EXIT



KIT COMPONENTS		
ITEM	DESCRIPTION	QTY
001	GUIDE, TOP LEFT, CUT-IN JIG, FGS	1
002	GUIDE, TOP RIGHT, CUT-IN JIG, FGS	1
003	GUIDE, BOTTOM RIGHT, CUT-IN JIG, FGS	1
004	GUIDE, BOTTOM LEFT, CUT-IN JIG, FGS	1
005	GUIDE RAIL, CUT-IN JIG, FGS	2
006	QUICK KNOB WITH T-BOLT	4
007	LATCH, SWELL, HANDLE STYLE	4
999	CUT-IN JIG, FGS, INSTALLATION DRAWING	1



- NOTES:
- [1] LATCHES ARE ASSEMBLED TO THE 26 INCHES GUIDE RAIL.
  - [2] PRIOR TO INSTALLATION, PREDETERMINE LOCATION OF THE CUT IN JIG KIT ACCORDING TO THE FRAME POSITION AND IF THE DOWLOAD OF THE FIBER SHOULD BE ON THE FRONT OR THE REAR SIDE OF THE FRAME.

COMMSCOPE, INC.

© 2016 COMMSCOPE, INC. CONFIDENTIAL NOTICE: THESE DRAWINGS AND SPECIFICATIONS ARE THE PROPRIETARY PROPERTY OF COMMSCOPE, INC. AND MAY BE USED ONLY FOR THE SPECIFIC PURPOSE AUTHORIZED IN WRITING BY COMMSCOPE, INC.		# CATALOG	FGS-FLEXJIG-F/H
ALL DIMS AND TOLERANCES .XX:±N/A ARE INCHES UNLESS .XXX:±N/A OTHERWISE SPECIFIED ANGULAR:±N/A		TITLE	INSTALLATION DRAWING, CUT IN JIG, FGS
DO NOT SCALE DRAWING	ENGR: HECTOR UREÑO DWN: HECTOR UREÑO	DRAWING NUMBER	300100101538
		SHT.	1 OF 3

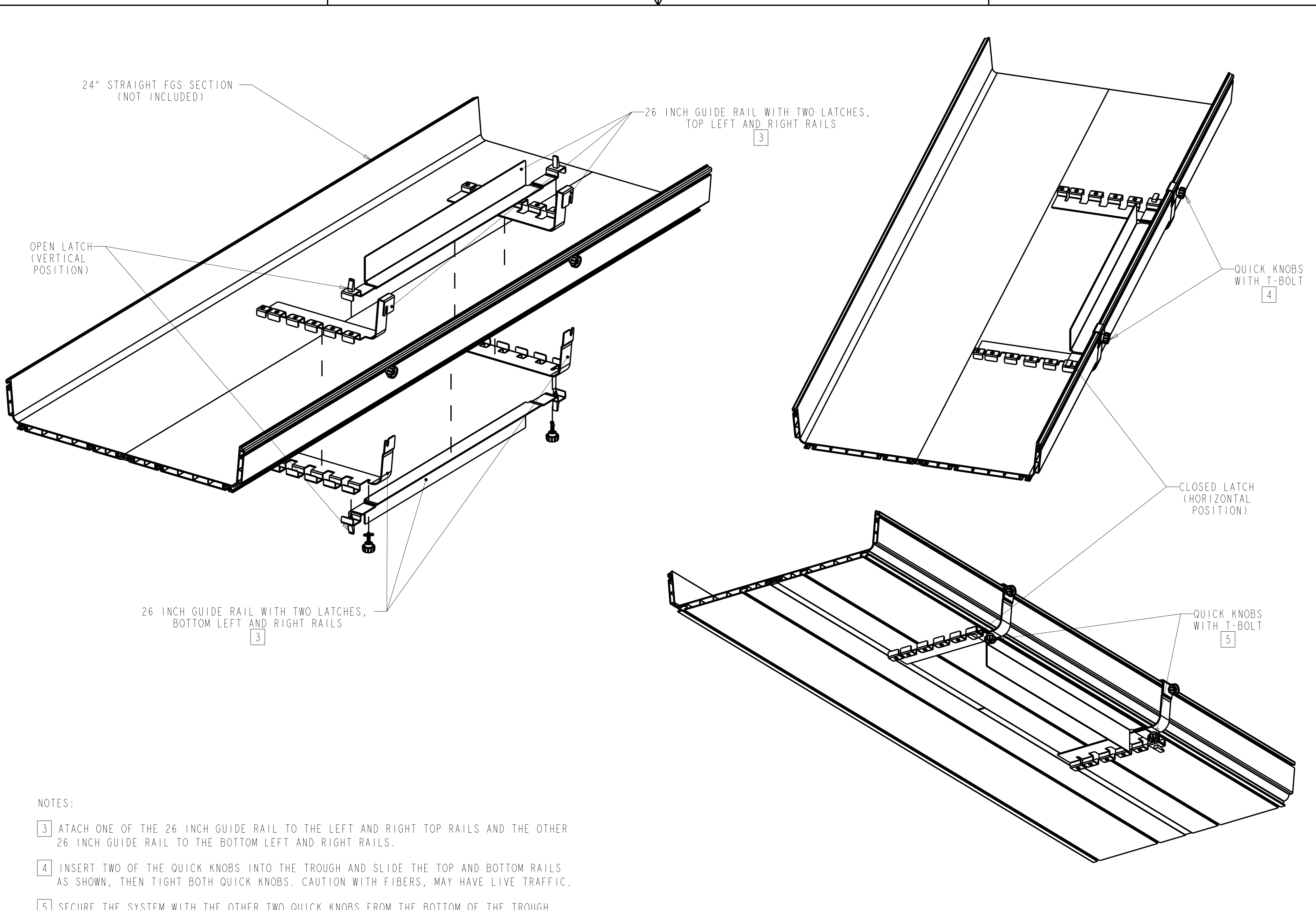
DIMENSIONS IN INCHES  
THIRD ANGLE PROJECTION

A

B

C

D



24" STRAIGHT FGS SECTION  
(NOT INCLUDED)

26 INCH GUIDE RAIL WITH TWO LATCHES,  
TOP LEFT AND RIGHT RAILS

OPEN LATCH  
(VERTICAL  
POSITION)

QUICK KNOBS  
WITH T-BOLT

CLOSED LATCH  
(HORIZONTAL  
POSITION)

26 INCH GUIDE RAIL WITH TWO LATCHES,  
BOTTOM LEFT AND RIGHT RAILS

QUICK KNOBS  
WITH T-BOLT

NOTES:

- [3] ATACH ONE OF THE 26 INCH GUIDE RAIL TO THE LEFT AND RIGHT TOP RAILS AND THE OTHER 26 INCH GUIDE RAIL TO THE BOTTOM LEFT AND RIGHT RAILS.
- [4] INSERT TWO OF THE QUICK KNOBS INTO THE TROUGH AND SLIDE THE TOP AND BOTTOM RAILS AS SHOWN, THEN TIGHT BOTH QUICK KNOBS. CAUTION WITH FIBERS, MAY HAVE LIVE TRAFFIC.
- [5] SECURE THE SYSTEM WITH THE OTHER TWO QUICK KNOBS FROM THE BOTTOM OF THE TROUGH.

© 2016 COMMSCOPE, INC. CONFIDENTIAL  
 NOTICE: THESE DRAWINGS AND SPECIFICATIONS  
 ARE THE PROPRIETARY PROPERTY OF  
 COMMSCOPE, INC. AND MAY BE USED ONLY FOR THE  
 SPECIFIC PURPOSE AUTHORIZED IN WRITING BY  
 COMMSCOPE, INC.

TITLE: INSTALLATION DRAWING,  
 CUT IN JIG, FGS

ALL DIMS AND TOLERANCES .XX:±N/A  
 ARE INCHES UNLESS .XXX:±N/A  
 OTHERWISE SPECIFIED ANGULAR:±N/A

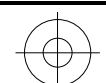
C SIZE DRAWING NUMBER B REV  
 300100101538

DO NOT SCALE DRAWING

ENGR: HECTOR UREÑO  
DWN: HECTOR UREÑO

SHT. 2 OF 3

COMMSCOPE, INC.



DIMENSIONS IN INCHES  
THIRD ANGLE PROJECTION

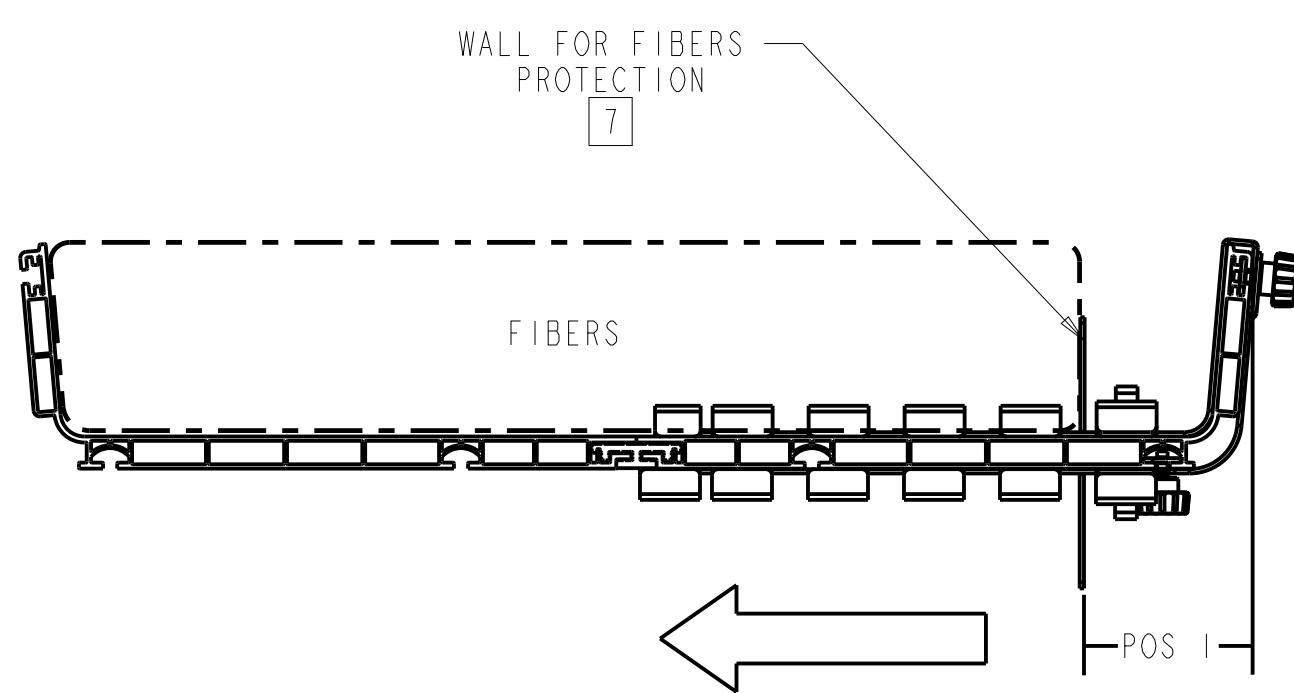
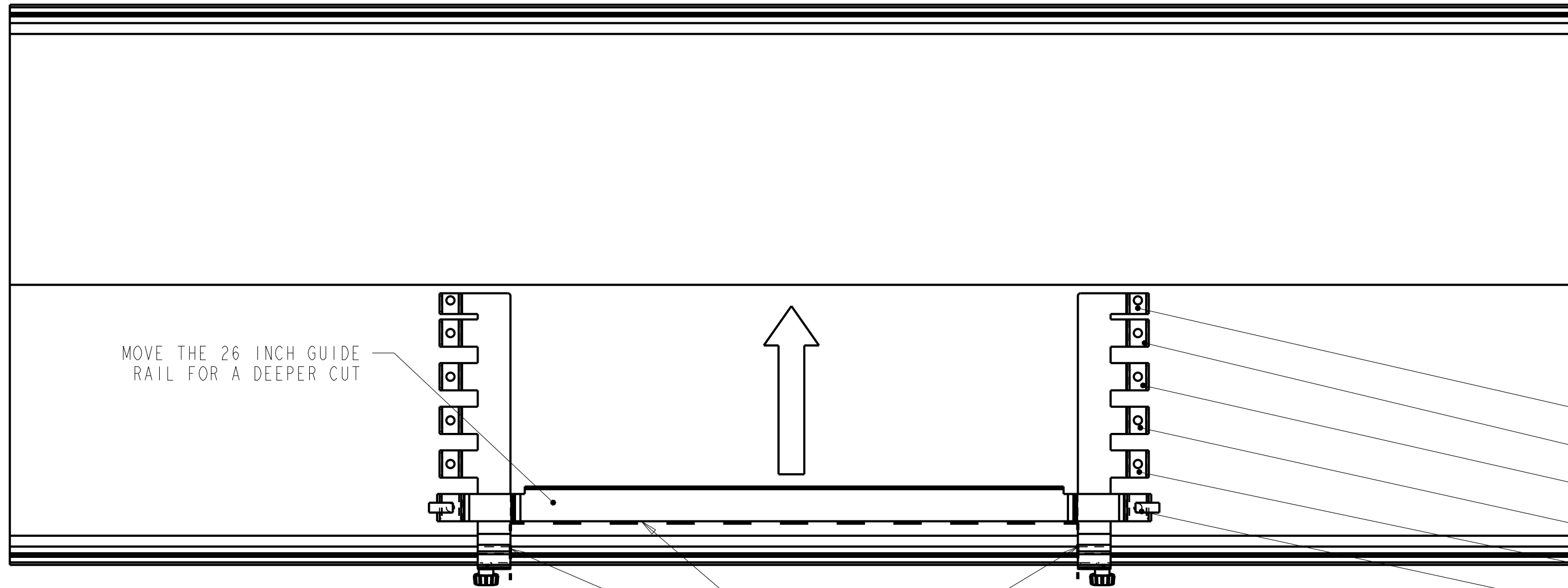
A

B

C

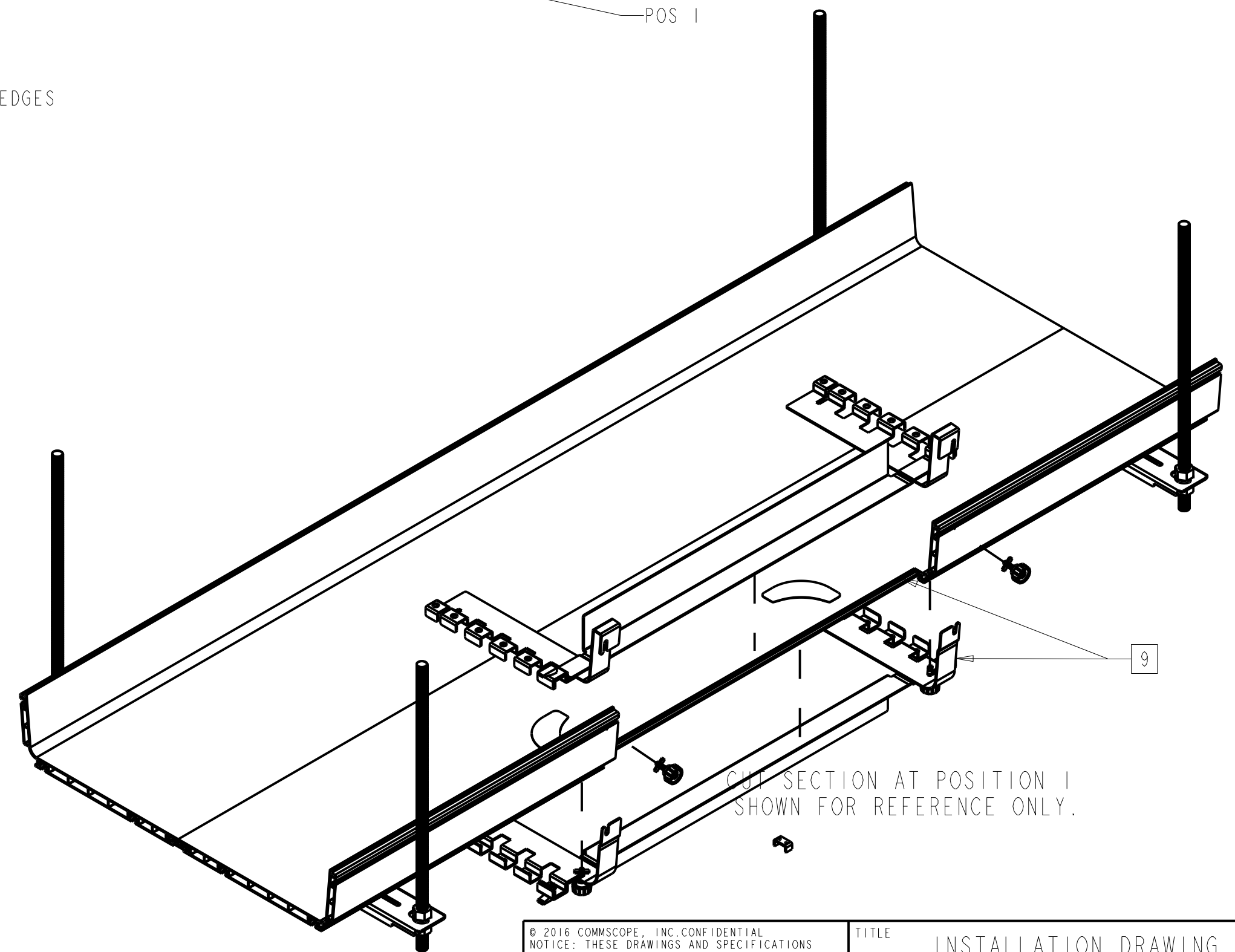
STRAIGHT SECTION SHOWN FOR REFERENCE ONLY.

6	11.50 INCH	-10 INCH
5	10 INCH	-8 INCH
4	8 INCH	-6 INCH
3	6 INCH	-4 INCH
2	4 INCH	-2 INCH
1	2 INCH	FLUSH
<b>6</b> POSITION	CUT LENGHT	REFERENCE POSITION FOR FLEX EXIT KIT



NOTES:

- 6** THE KIT ALLOWS TO CUT THE TROUGH IN SIX DIFFERENT POSITIONS DEPENDING ON THE LOCATION OF THE 26 INCH GUIDE RAIL, SEE TABLE FOR REFERENCE.
- 7** PUT ALL THE FIBERS ON THE REAR SIDE OF THE WALL AS SHOWN. THE LOCATION OF THE WALL CAN VARY DEPENDING ON WHAT POSITION NEEDS TO BE CUT.
- 8** WITH FIXTURE CORRECTLY ALIGNED AND SECURE, MAKE TWO VERTICAL CUTS AND ONE HORIZONTAL CUT ON THE INSIDE EDGES.
- 9** WITH ALL CUTS COMPLETE, TAKING APPROPRIATE CAUTION WITH FIBERS, REMOVE THE CUT SECTION AND THE CUT IN JIG.



COMMSCOPE, INC.

<small>© 2016 COMMSCOPE, INC. CONFIDENTIAL NOTICE: THESE DRAWINGS AND SPECIFICATIONS ARE THE PROPRIETARY PROPERTY OF COMMSCOPE, INC. AND MAY BE USED ONLY FOR THE SPECIFIC PURPOSE AUTHORIZED IN WRITING BY COMMSCOPE, INC.</small>		TITLE INSTALLATION DRAWING, CUT IN JIG, FGS	
ALL DIMS AND TOLERANCES ARE INCHES UNLESS OTHERWISE SPECIFIED	.XX:±N/A .XXX:±N/A ANGULAR:±N/A	C SIZE	DRAWING NUMBER 300100101538
DO NOT SCALE DRAWING		ENGR: HECTOR UREÑO DWN: HECTOR UREÑO	B REV SHT. 3 OF 3

DIMENSIONS IN INCHES  
THIRD ANGLE PROJECTION