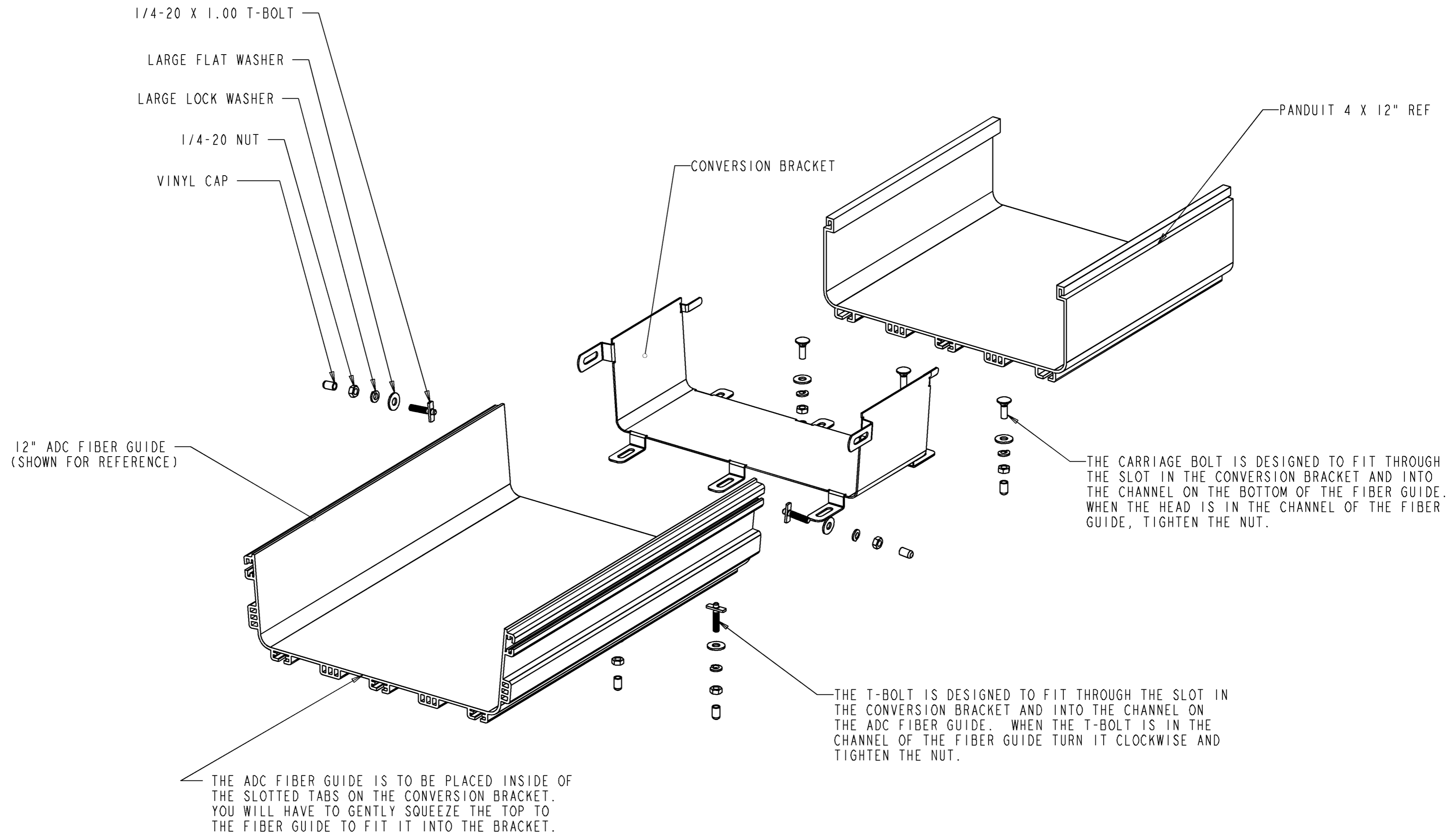


REV	MCO	DWN	DATE
A	20246613	RCR	22-MAY-06
B	20246613	GTC	14-AUG-08



NOTES:

1. THIS CONVERSION KIT INCLUDES THE FOLLOWING:

- CONVERSION BRACKET (1)
- 1/4-20 X 1.00 T-BOLT (5)
- 1/4-20 X .750 CARRIAGE BOLT (3)
- LARGE FLAT WASHER (8)
- LARGE SPLIT LOCK WASHER (8)
- 1/4-20 NUT (8)
- VINYL CAP (8)

**CATALOG #: FGS-ACC151**



INFORMATION ON THIS DOCUMENT IS PROPRIETARY TO ADC AND SHALL NOT BE USED, COPIED, REPRODUCED OR DISCLOSED IN WHOLE OR IN PART WITHOUT WRITTEN CONSENT OF ADC.		TITLE CONVERSION BRACKET KIT INSTALLATION DRAWING	
ALL DIMS AND TOLERANCES ARE INCHES UNLESS OTHERWISE SPECIFIED	.XX:±N/A .XXX:±N/A ANGULAR:±N/A	C SIZE	DRAWING NUMBER 1371669
DO NOT SCALE DRAWING		ENGR: J. BARRAZA DWN: R. CAZARES	B REV
		SHT. 1 OF 1	

**DIMENSIONS IN INCHES  
THIRD ANGLE PROJECTION**