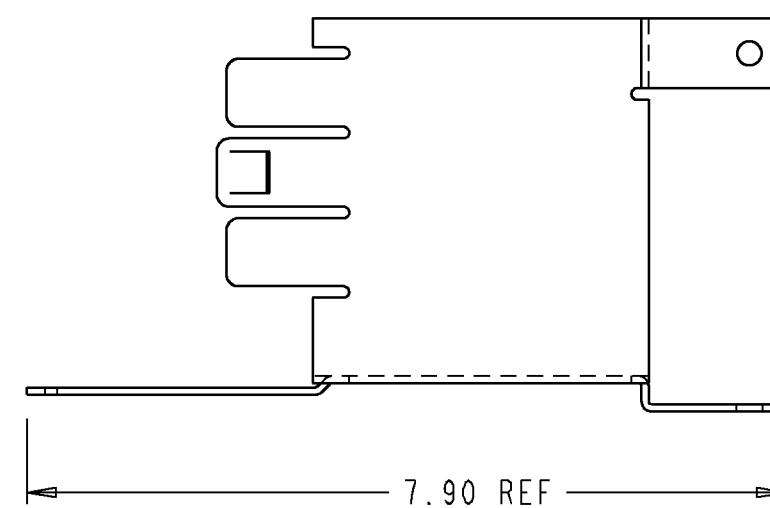
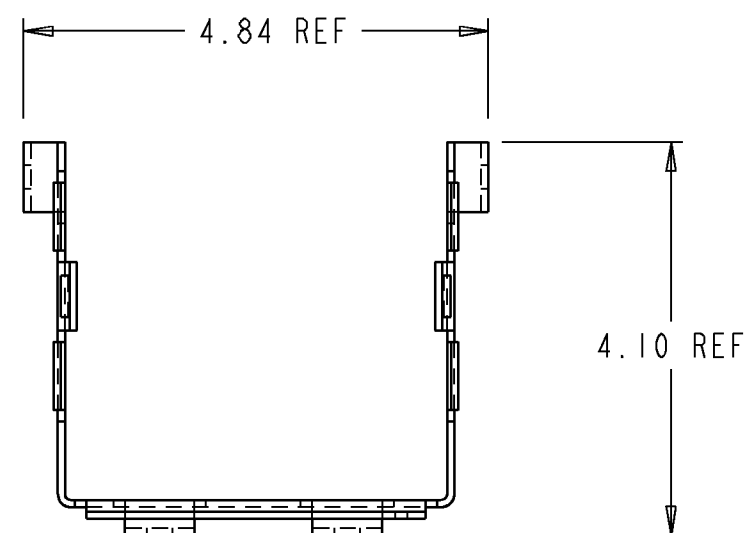
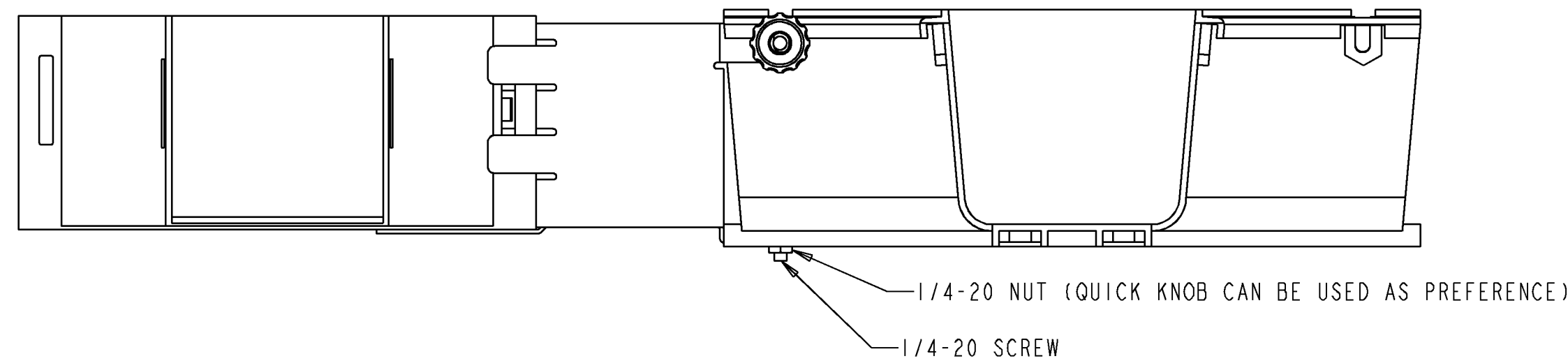
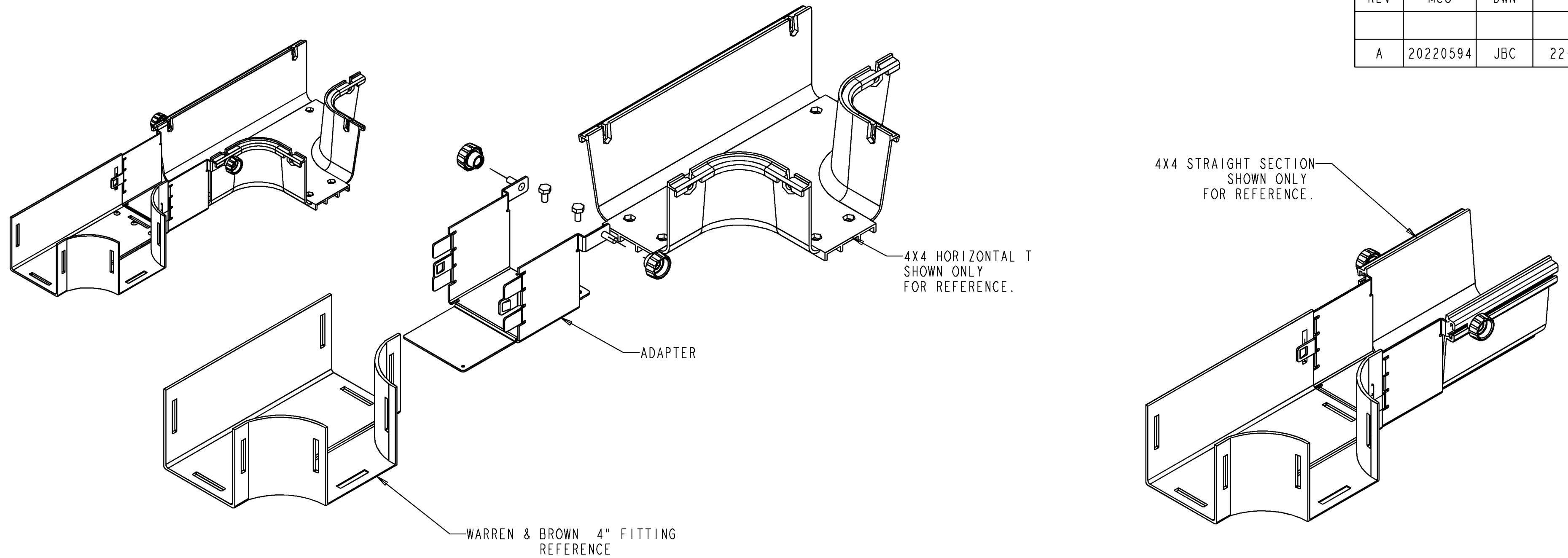


REV	MCO	DWN	DATE
A	20220594	JBC	22-JUL-07



NOTES:

- PARTS INCLUDED WITH KIT ARE AS FOLLOWS:
 - (1) ADAPTER
 - (2) 1/4-20 HEX SCREW
 - (2) 1/4-20 NUT
 - (4) KNOB PLASTIC
 NOTE: EXTRA PARTS CAN BE INCLUDED.

ATTACHING THE ADAPTER TO THE WARREN & BROWN LINK:

- MATE THE ADAPTER TO THE WARREN & BROWN COMPONENT AS SHOWN. SIDES OF THE ADAPTER WILL NEED TO BE SQUEEZED INWARD SLIGHTLY.
- MATE THE ADAPTER TO THE ADC GUIDE WITH KNOBS AND 1/4-20 SCREW AND NUT.
- CUT AND APPLY TAPE ALONG SEAMS WHERE THE ADAPTER MEETS THE TROUGH IF IT IS REQUIRED.



INFORMATION ON THIS DOCUMENT IS PROPRIETARY TO ADC AND SHALL NOT BE USED, COPIED, REPRODUCED OR DISCLOSED IN WHOLE OR IN PART WITHOUT WRITTEN CONSENT OF ADC.

ALL DIMS AND TOLERANCES ARE IN INCHES UNLESS OTHERWISE SPECIFIED

DO NOT SCALE DRAWING

CATALOG#: FGS-ACC086

TITLE KIT, 4" WARREN ADAPTER (INSTALLATION DRAWING)

DRAWING NUMBER 1413384

ENGR: J. BARRAZA
DWN: J. BARRAZA

SHT. 1 OF 1

DIMENSIONS IN INCHES
THIRD ANGLE PROJECTION