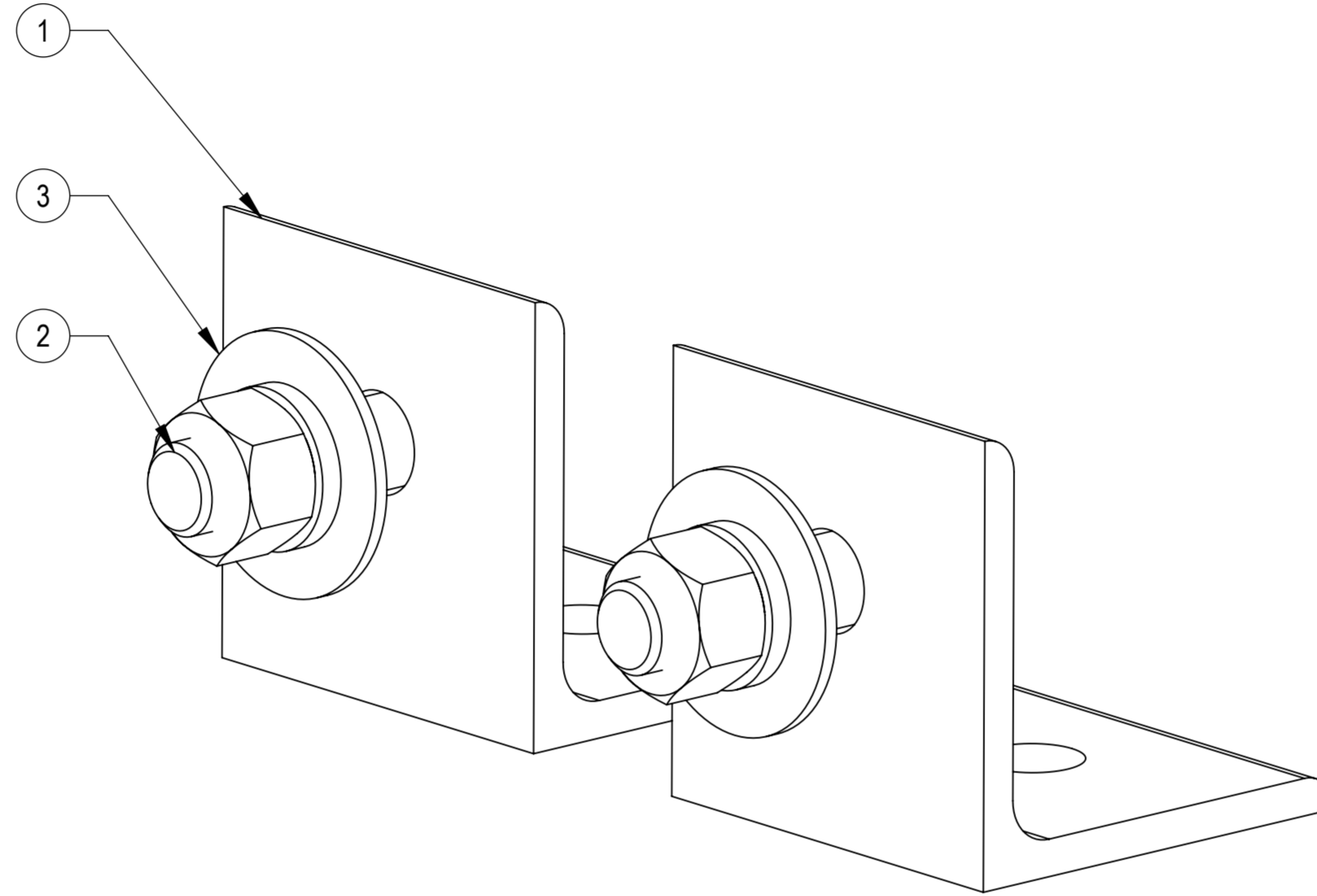


- 1.0 GENERAL NOTES  
 1.1 ALL IMPERIAL DIMENSIONS ARE IN BRACKETS [X.XX]  
 1.2 MARK PART WITH IDENTIFICATION NUMBER
- 2.0 DESIGN NOTES  
 2.1 DESIGNED PER CUSTOMER REQUIREMENTS
- 3.0 MANUFACTURING/SPECIAL REQUIREMENTS  
 3.1 TIGHTEN ALL BOLTS SECURING FLAT PLATES BY THE TURN-OF-NUT METHOD. TIGHTEN ALL U-BOLTS USING TURN-OF-NUT METHOD WITH ATTENTION TO LEAVE EQUAL DISTANCE AND EQUAL FORCE ON EACH LEG OF THE U-BOLT.
- 4.0 TEST
- 5.0 PACKAGING  
 5.1 PACKAGING SHALL MEET COMMSCOPE REQUIREMENTS PER DOCUMENT IS-PL-3005  
 5.2 PRINTED DOCUMENT TO BE PLACED INSIDE POLYBAG AND THEN IN SHIPPING CONTAINER  
 5.3 EXTRA HARDWARE MAYBE SUPPLIED, BAGGED AND SHIPPED

REVISIONS			
REV.	DESCRIPTION	DATE	APPROVED
A	INITIAL RELEASE	JL1183 01SEP22	VICENTE 40155958CMO



COMPONENT PART NUMBERS PROVIDED FOR ASSEMBLY PURPOSES;  
 INDIVIDUAL COMPONENTS MAY BE SHIPPED AS PARTS WITHIN AN INCLUDED KIT.

ITEM NO.	PART NO.	DESCRIPTION	QTY.	NOTE NO.
1	AL-333	BRACKET, V-BRACING CLIP	2	
2	GB-05205FT	5/8" X 2" GALV BOLT KIT	2	INCLUDED BOLT, LOCK WASHER AND NUT
3	GWF-05	5/8" GALV FLAT WASHER, 1.70D	2	

DENSITY	0.29	lbs/in <sup>3</sup>
MASS	3.18	lbs
VOLUME	11.23	in <sup>3</sup>
SURFACE AREA	109.33	in <sup>2</sup>
DENSITY	0.0079	g/mm <sup>3</sup>
MASS	1444.8645	grams
VOLUME	184030.3329	mm <sup>3</sup>
SURFACE AREA	70536.8751	mm <sup>2</sup>
HEIGHT	76[3.0]	
LENGTH	76[3.0]	
WIDTH	76[3.0]	

**COMMSCOPE, INC. OF NORTH CAROLINA**

TOLERANCES		SAP MATERIAL MASTER	
0 PLACE .X[X] ± 6[0.25]	2 PLACE .XX[.XXX] ± 1.50[0.06]	<b>VZWSMART-AL333</b>	
1 PLACE .X[.XX] ± 3.0[0.12]	ANGLES ± 2°		
FINISH GALV A123		MATERIAL	
UNLESS OTHERWISE SPECIFIED DIMENSIONS ARE IN MILLIMETERS INTERPRET PER ANSI Y 14.5M-1994		NAME	DATE
		CE JL1183	01SEP22
		RW JL1183	09/08/2022
		AD VCORTEZ1	09/14/2022
		RE JL1183	09/15/2022
ECN 40155958CMO		SCALE <b>1:1</b>	DOCUMENT NO. <b>VZWSMART-AL333</b>
SIZE <b>A2</b>	Auth Group	INSL	MODEL
			VERSION
			STATUS
			REVISION
			VERSION
			STATUS
			REVISION
			DRAWING
			VERSION
			STATUS
			REVISION
			SHEET
			1 OF 1