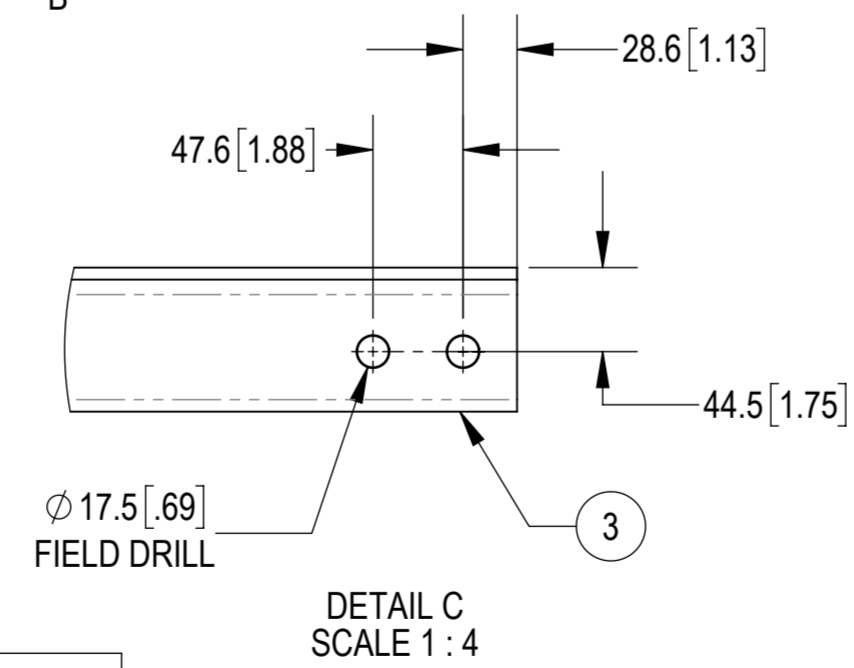
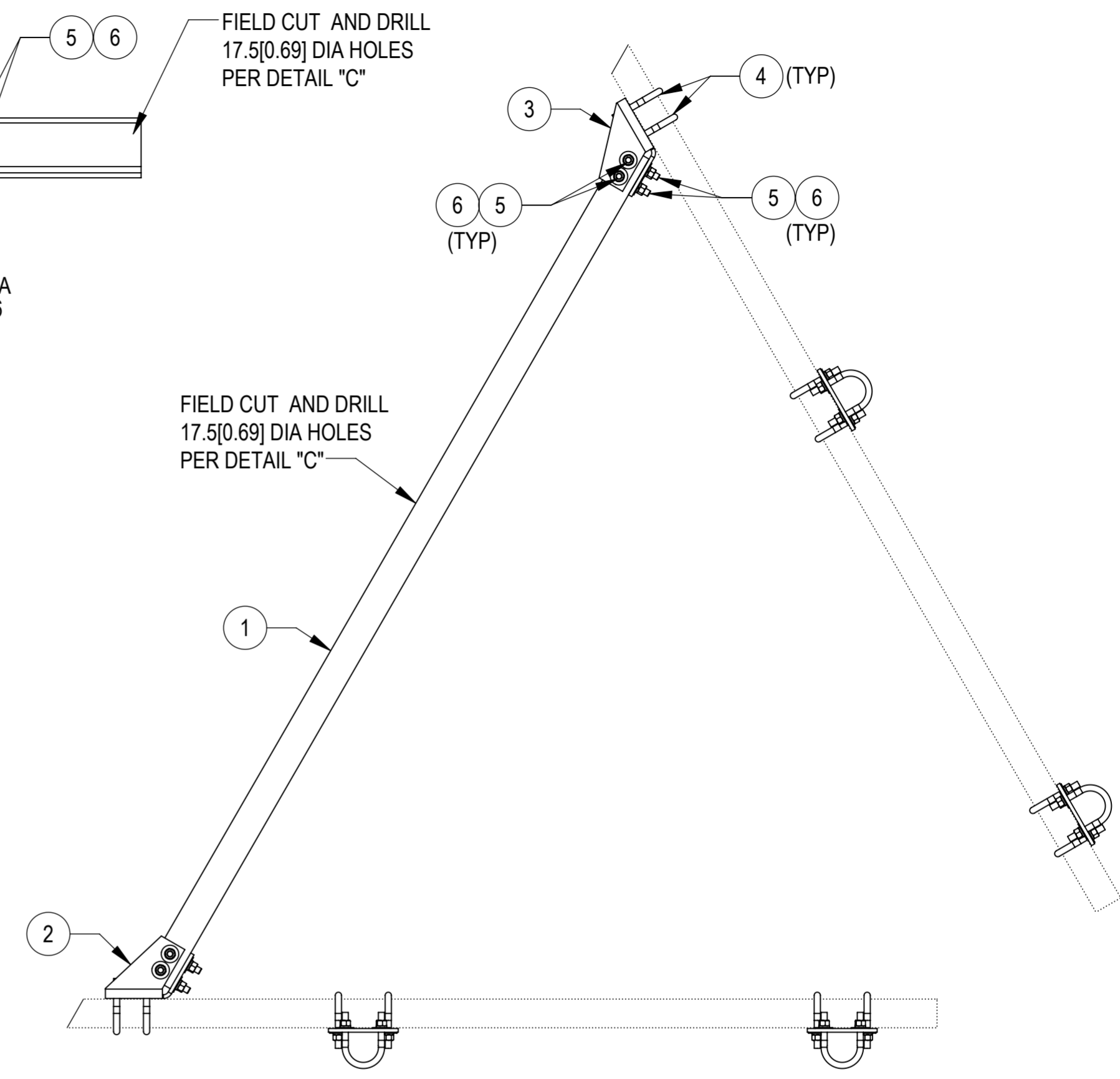
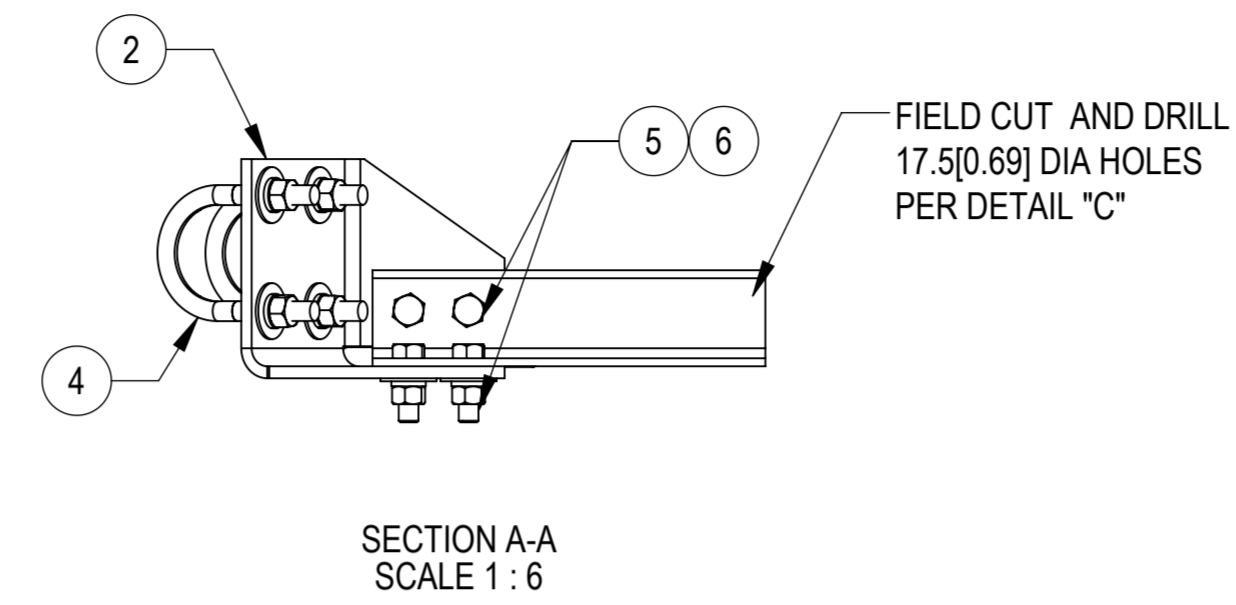
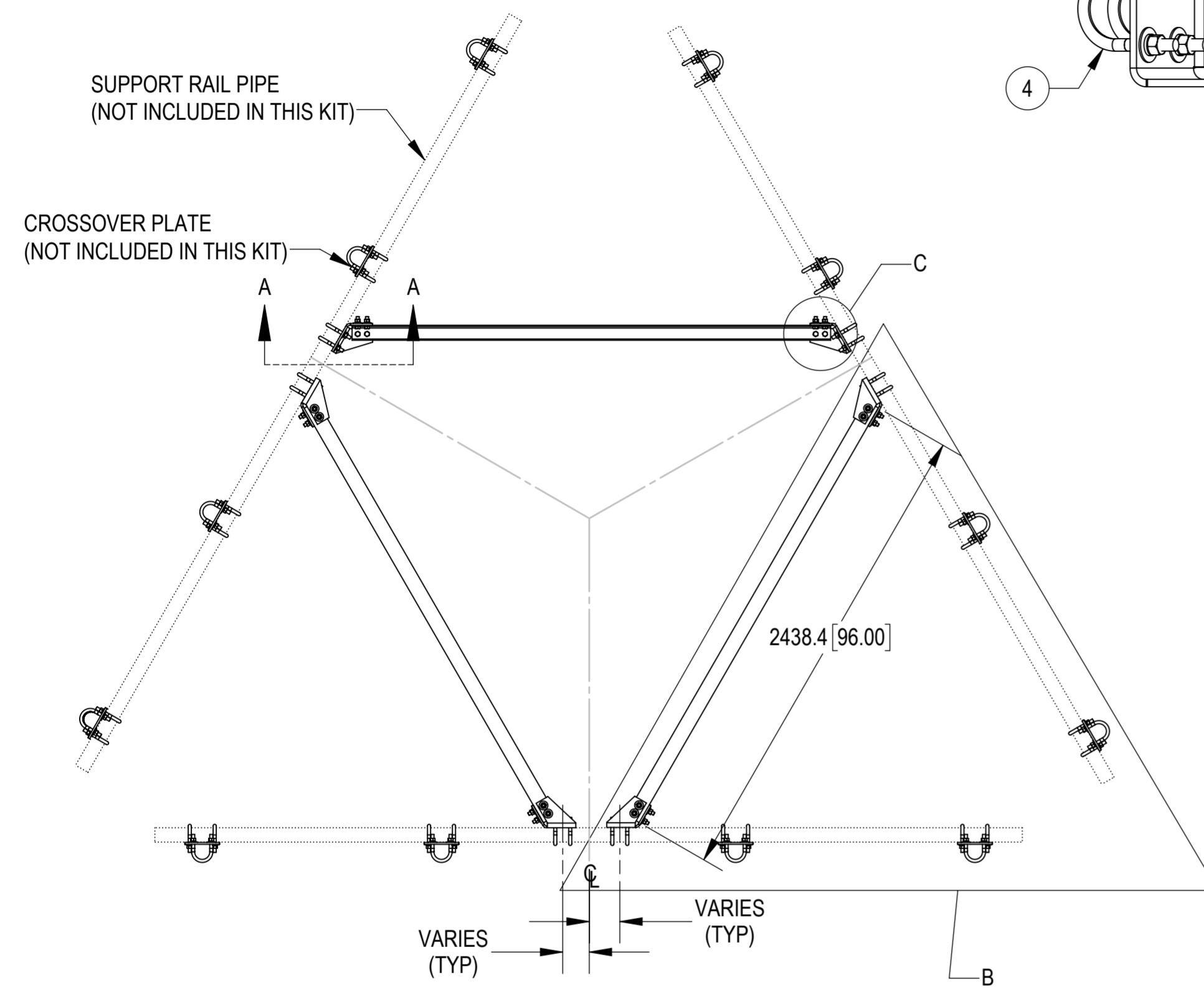


- 1.0 GENERAL NOTES
 1.1 ALL IMPERIAL DIMENSIONS ARE IN BRACKETS [X.XX]
 1.2 MARK PART WITH IDENTIFICATION NUMBER
 2.0 DESIGN NOTES
 3.0 MANUFACTURING/SPECIAL REQUIREMENTS
 3.1 TIGHTEN ALL BOLTS SECURING FLAT PLATES BY THE TURN-OF-NUT METHOD. TIGHTEN ALL U-BOLTS USING TURN-OF-NUT METHOD WITH ATTENTION TO LEAVE EQUAL DISTANCE AND EQUAL FORCE ON EACH LEG OF THE U-BOLT.
 4.0 TEST
 5.0 PACKAGING
 5.1 PACKAGING SHALL MEET COMMSCOPE REQUIREMENTS PER DOCUMENT IS-PL-3005
 5.2 PRINTED DOCUMENT TO BE PLACED INSIDE POLYBAG AND THEN IN SHIPPING CONTAINER
 5.3 EXTRA HARDWARE MAYBE SUPPLIED, BAGGED AND SHIPPED

REVISIONS			
REV.	DESCRIPTION	DATE	APPROVED
A	INITIAL RELEASE	JL1183 16MAR23	JAHAINES 40168212CMO



COMPONENT PART NUMBERS PROVIDED FOR ASSEMBLY PURPOSES;
 INDIVIDUAL COMPONENTS MAY BE SHIPPED AS PARTS WITHIN AN INCLUDED KIT.

ITEM	PART NO.	DESCRIPTION	QTY.	NOTE
1	A-PLK2-01	ANGLE 3" X 3" X 1/4	3	
2	PLK2-F2L	CORNER BENT PLATE BRACKET, LH	3	
3	PLK2-F2R	CORNER BENT PLATE BRACKET, RH	3	
4	GUB-53050	5/8" X 3" X 5" GALV U-BOLT KIT	12	INCLUDES U-BOLT, FLAT WASHERS, LOCK WASHERS AND NUTS
5	GB-0520A	5/8" X 2" GALV BOLT KIT (A325)	24	INCLUDES BOLT, LOCK WASHER AND NUT
6	GWF-05	5/8" GALV FLAT WASHER, 1.7OD	24	

DENSITY	197.45	lbs/in ³
MASS	694.90	lbs
VOLUME	5474.40	in ³
SURFACE AREA		
DENSITY	89569.32	g/mm ³
MASS	11388439.19	grams
VOLUME	3532097.24	mm ³
SURFACE AREA		
HEIGHT	2438[96.0]	
LENGTH	2438[96.0]	
WIDTH	174[6.9]	

COMMSCOPE, INC. OF NORTH CAROLINA

TOLERANCES
 0 PLACE .X[X] ± 3[0.1] 2 PLACE .XX[.XXX] ± 0.76[0.030]
 1 PLACE .X[.XX] ± 1.5[0.06] ANGLES ± 1°

SAP MATERIAL MASTER
MUK-PLK2

FINISH		MATERIAL	
CE	JL1183	16MAR23	
RW	JL1183	03/21/2023	
AD	YW1045	03/23/2023	
RE	YMENG	03/24/2023	
ECN 40168212CMO			

PLATFORM SUPPORT RAIL KIT

SCALE: **1:24** DOCUMENT NO. **MUK-PLK2**

SIZE	Auth Group	INSL	MODEL	DRAWING			SHEET			
A2				VERSION	STATUS	REVISION	VERSION	STATUS	REVISION	
				03	RE	C	00	RE	A	1 OF 1

UNLESS OTHERWISE SPECIFIED
 DIMENSIONS ARE IN MILLIMETERS
 INTERPRET PER ANSI Y14.5M-1994