

A5FHM-S



4.3-10 Male Connector for 7/8 in AVA5-50 and AVA5-50FX cable

Product Classification

Product Type	Wireless and radiating connector
Product Series	AVA5-50 AVA5-50FX AVA5RK-50
Ordering Note	CommScope® standard product (Global)

General Specifications

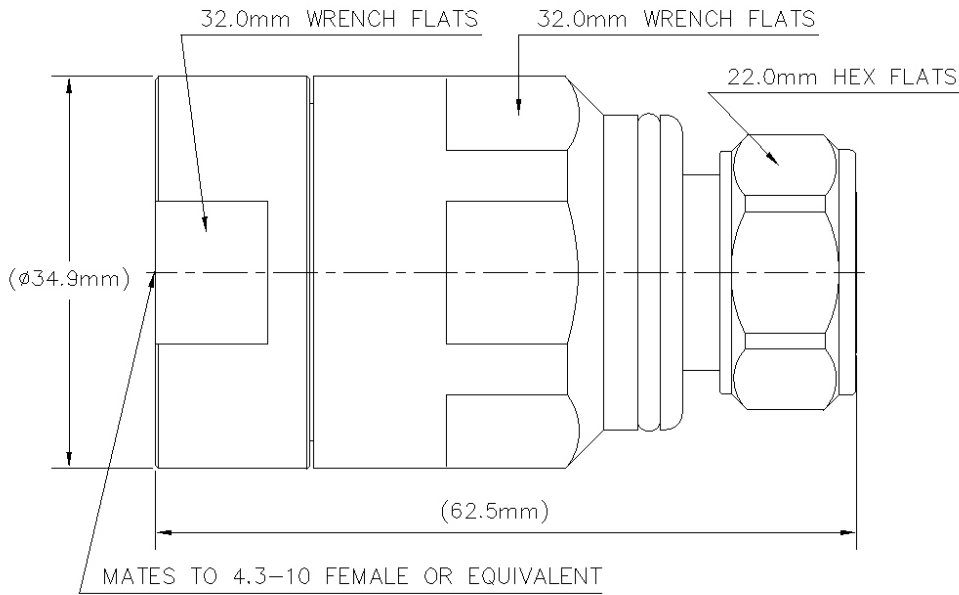
Body Style	Straight
Cable Family	AVA5-50 AVA5-50FX
Inner Contact Attachment Method	Captivated
Inner Contact Plating	Silver
Interface	4.3-10 Male
Mounting Angle	Straight
Outer Contact Attachment Method	Clamp
Outer Contact Plating	Trimetal
Pressurizable	No

Dimensions

Length	62.5 mm 2.461 in
Diameter	34.9 mm 1.374 in
Nominal Size	7/8 in

Outline Drawing

A5FHM-S



Electrical Specifications

3rd Order IMD at Frequency	-116 dBm @ 1800 MHz
3rd Order IMD Dynamic Test Method	Two +43 dBm carriers
3rd Order IMD Test Method	Two +43 dBm carriers
Insertion Loss Coefficient, typical	0.05
Average Power at Frequency	3.0 kW @ 900 MHz
Cable Impedance	50 ohm
Connector Impedance	50 ohm
dc Test Voltage	4000 V
Inner Contact Resistance, maximum	0.4 mOhm
Insulation Resistance, minimum	5000 MOhm
Operating Frequency Band	0 – 5000 MHz
Outer Contact Resistance, maximum	1.5 mOhm
Peak Power, maximum	40 kW
RF Operating Voltage, maximum (vrms)	1415 V
Shielding Effectiveness	-130 dB

A5FHM-S

VSWR/Return Loss

Frequency Band	VSWR	Return Loss (dB)	Gated VSWR	Gated Return Loss (dB)
0–1000 MHz	1.152	23	1.041	34
1000–2700 MHz	1.152	23	1.083	28
2700–3800 MHz	1.152	23	1.106	26

Mechanical Specifications

Attachment Durability	25 cycles
Connector Retention Tensile Force	1,334.47 N 300 lbf
Coupling Nut Proof Torque	10 N-m 88.507 in lb
Insertion Force	200 N 44.962 lbf
Insertion Force Method	IEC 61169-1:15.2.4
Interface Durability	100 cycles
Interface Durability Method	IEC 61169-4:9.5
Mechanical Shock Test Method	IEC 60068-2-27

Environmental Specifications

Operating Temperature	-40 °C to +85 °C (-40 °F to +185 °F)
Storage Temperature	-55 °C to +85 °C (-67 °F to +185 °F)
Attenuation, Ambient Temperature	20 °C 68 °F
Average Power, Ambient Temperature	40 °C 104 °F
Corrosion Test Method	IEC 60068-2-11
Immersion Depth	1 m
Immersion Test Mating	Mated
Immersion Test Method	IEC 60529:2001, IP68
Moisture Resistance Test Method	MIL-STD-202F, Method 106F
Thermal Shock Test Method	MIL-STD-202, Method 107, Test Condition A-1, -55 °C to +85 °C
Vibration Test Method	IEC 60068-2-6
Water Jetting Test Mating	Mated
Water Jetting Test Method	IEC 60529:2001, IP66

Packaging and Weights

A5FHM-S

Weight, net

151 g | 0.333 lb

Included Products

78-HPT – EZfit® Manual Cable Preparation Tool for 7/8 in coaxial cable

* Footnotes

Insertion Loss Coefficient, typical 0.05√freq (GHz) (not applicable for elliptical waveguide)

Immersion Depth Immersion at specified depth for 24 hours

78-HPT



EZfit® Manual Cable Preparation Tool for 7/8 in coaxial cable

Product Classification

Product Type	Tool
Product Brand	EZfit®
Ordering Note	CommScope® non-standard product

General Specifications

Application	Prepares cable for connector attachment
Combination Blades Included	2
Cutting Blade Life	150 cable preparations
Jacket Blades Included	1
Tool Type	Manual cable preparation tool

Dimensions

Nominal Size	7/8 in
Wrench Opening	0 mm 0 in

Material Specifications

Material Type	Engineered plastic
Material Type, Blade	Hardened tool steel

Mechanical Specifications

Torque Value	0 in lb 0 N-m
---------------------	-----------------

Packaging and Weights

Height, packed	144.78 mm 5.7 in
Width, packed	83.82 mm 3.3 in
Length, packed	88.9 mm 3.5 in
Included	One AVA5-50 tool bit One FXL-780 tool bit One cutting tool body One hex

78-HPT

wrench | Ten saw guides

Packaging quantity 1

Weight, gross 0.27 kg | 0.595 lb

Regulatory Compliance/Certifications

Agency	Classification
ISO 9001:2015	Designed, manufactured and/or distributed under this quality management system
REACH-SVHC	Compliant as per SVHC revision on www.commscope.com/ProductCompliance
ROHS	Compliant
UK-ROHS	Compliant

