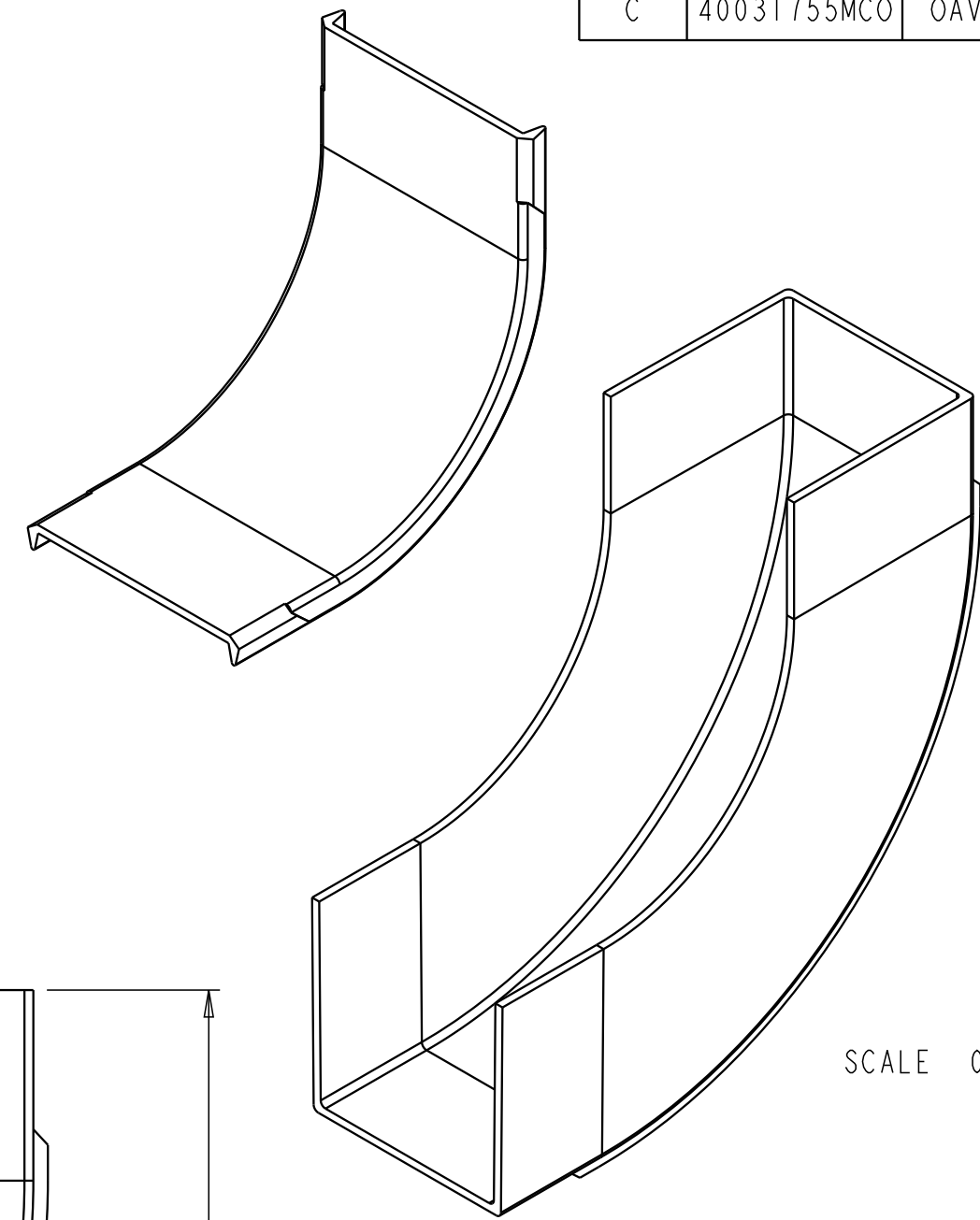
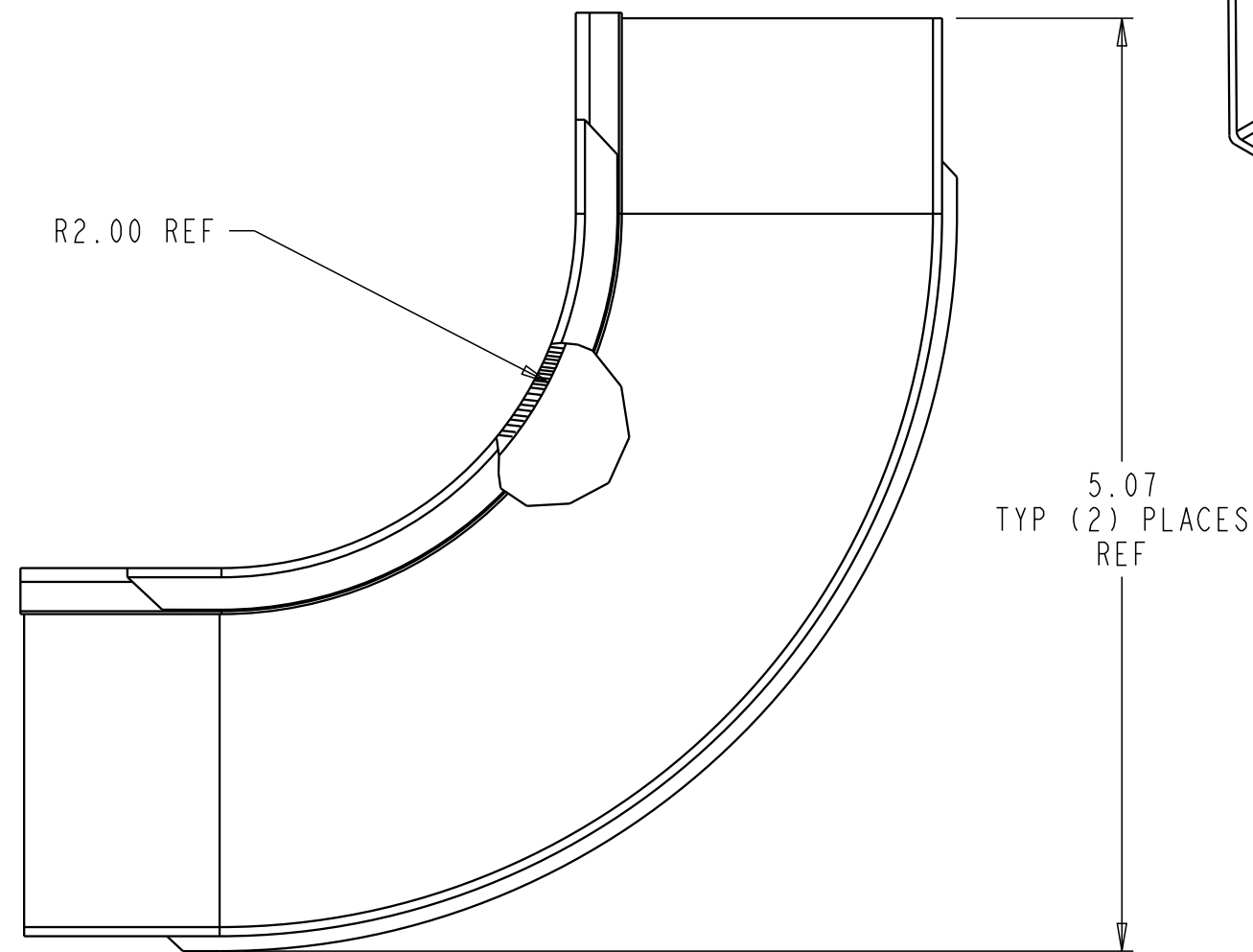
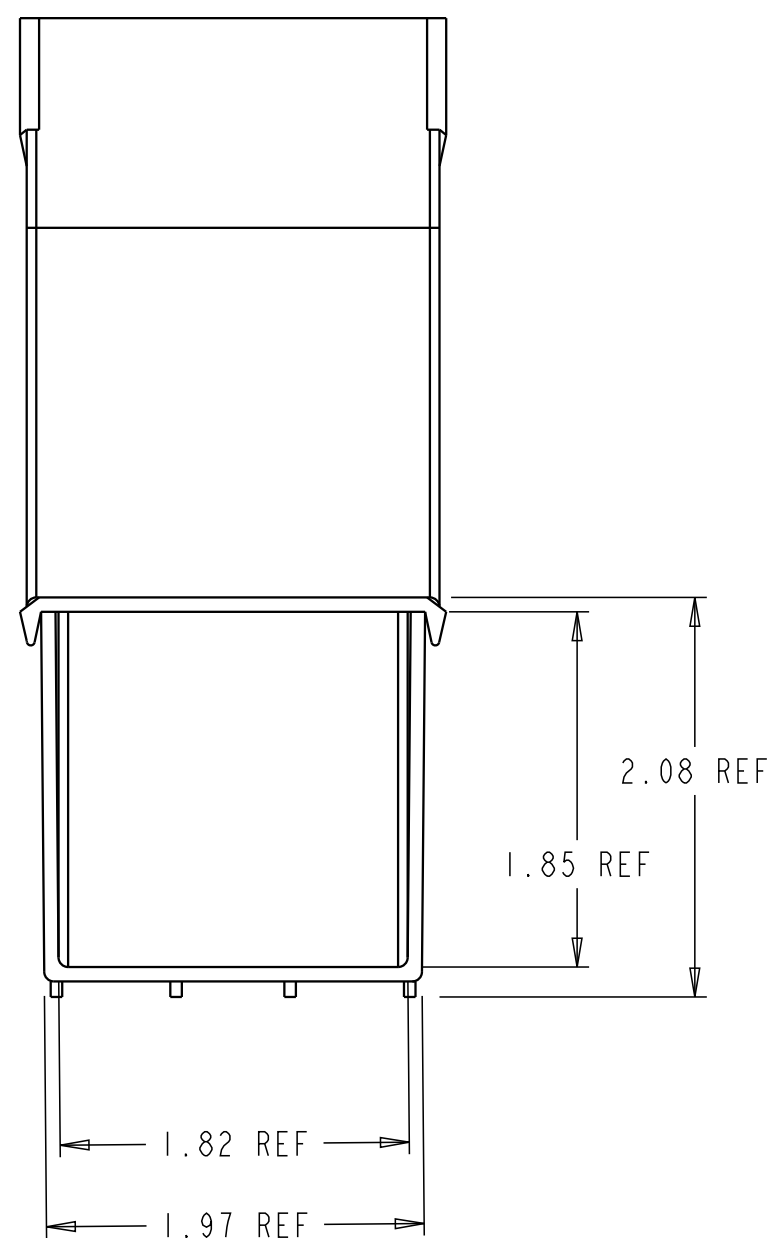


REV	MCO	DWN	DATE
B	20239114	AED	02-MAY-08
C	40031755MCO	OAVL	24-JUN-16



**NOTES:**

1. MATERIAL IS SELF EXTINGUISHING WITH A UL 94 RATING OF V-0.

COMMSCOPE, INC.

CATALOG NO.	COLOR
FGS-MU9A-C	YELLOW
FGSB-MU9A-C	BLACK

<small>© 2016 COMMSCOPE, INC. CONFIDENTIAL NOTICE: THESE DRAWINGS AND SPECIFICATIONS ARE THE PROPRIETARY PROPERTY OF COMMSCOPE, INC. AND MAY BE USED ONLY FOR THE SPECIFIC PURPOSE AUTHORIZED IN WRITING BY COMMSCOPE, INC.</small>	TITLE ELBOW, 90 UP, 2X2 INSTALLATION DRAWING	
	<small>ALL DIMS AND TOLERANCES ARE INCHES UNLESS OTHERWISE SPECIFIED</small>	<small>XX:±N/A XXX:±N/A ANGULAR:±N/A</small>
DO NOT SCALE DRAWING	ENGR: T. HAATAJA DWN: T. HAATAJA	SHT. 1 OF 1

DIMENSIONS IN INCHES  
THIRD ANGLE PROJECTION