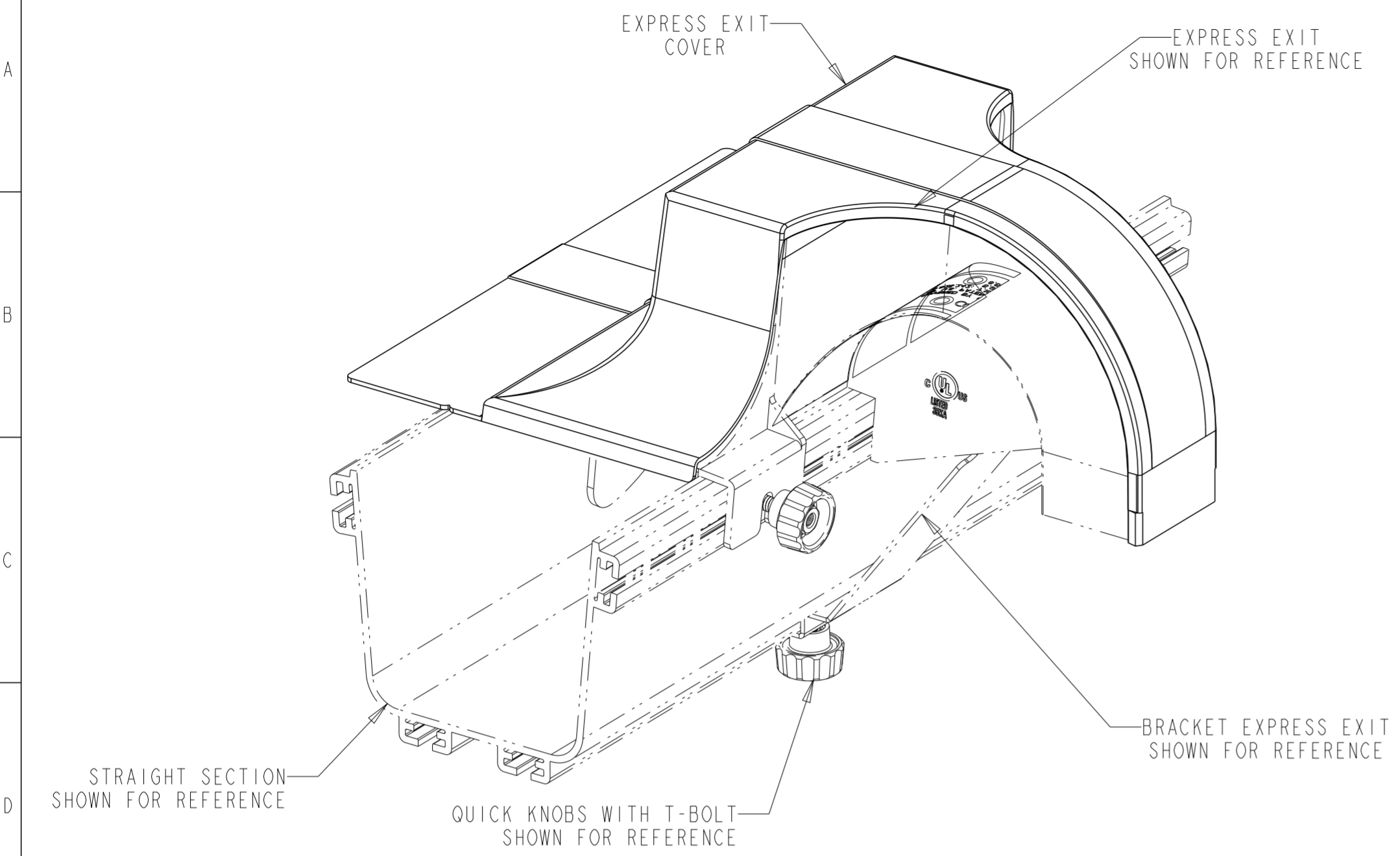
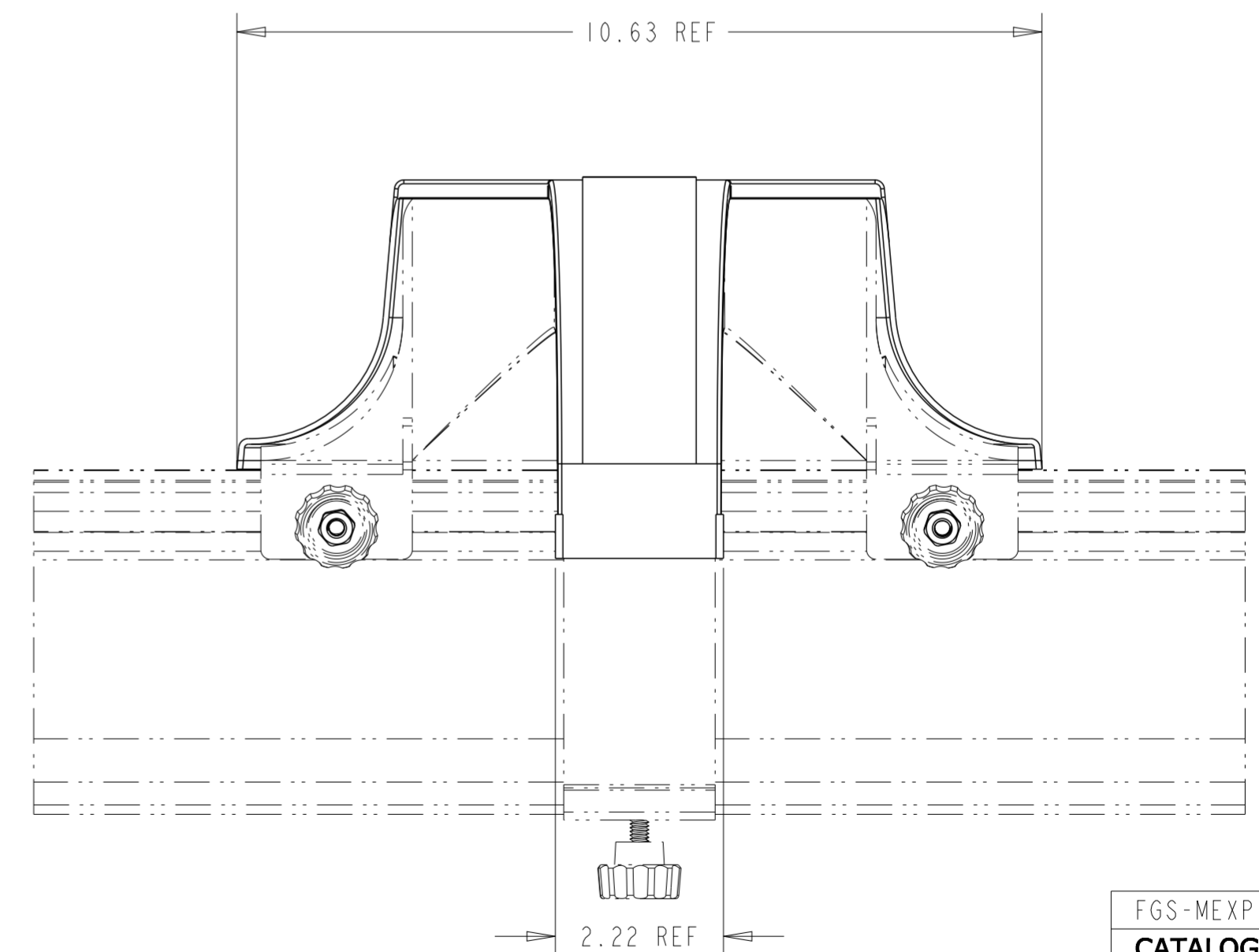
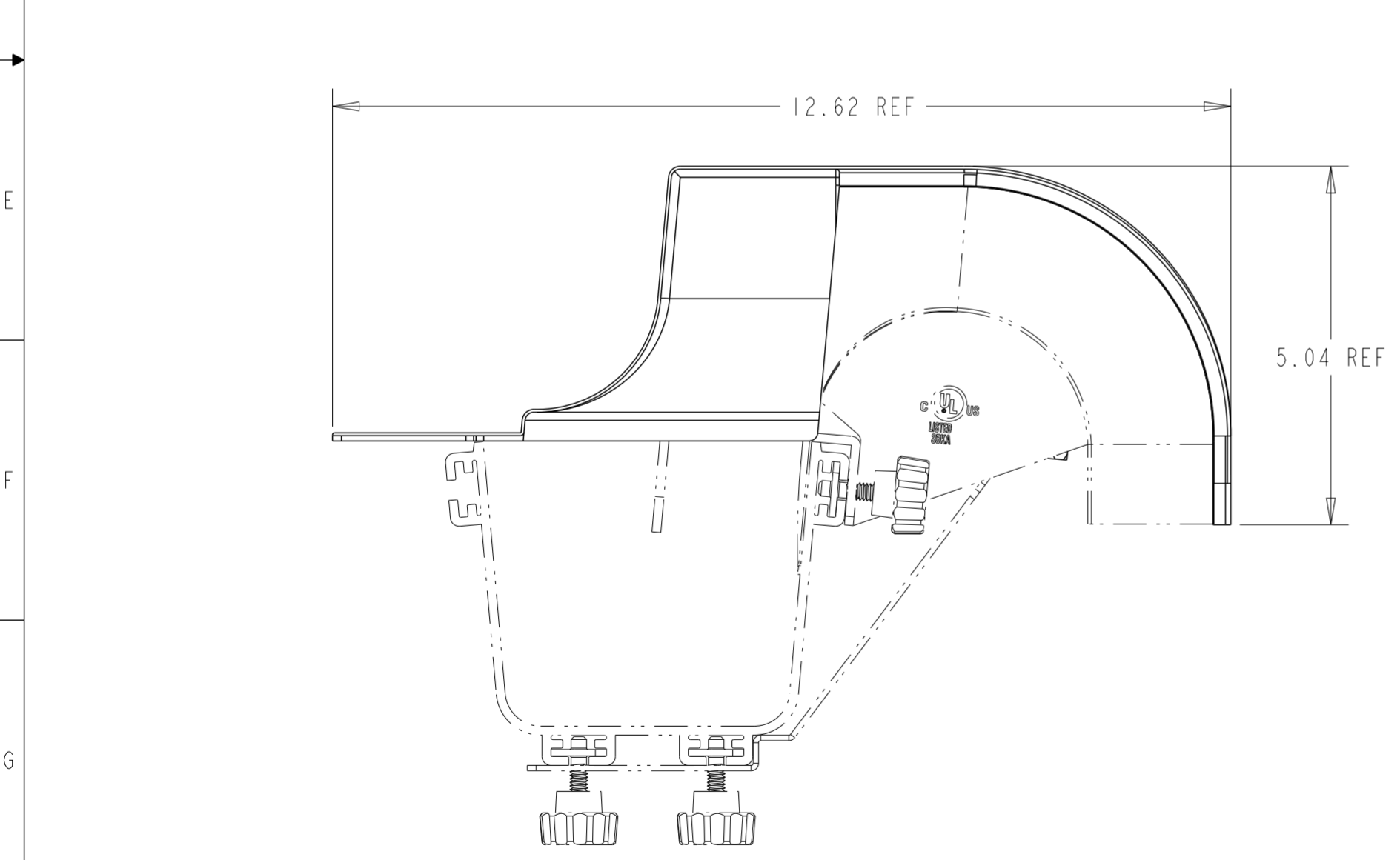


REVISIONS			
REV	CMO	DATE	APPROVED
A	40109661CMO	14-APR-2020	ODVL

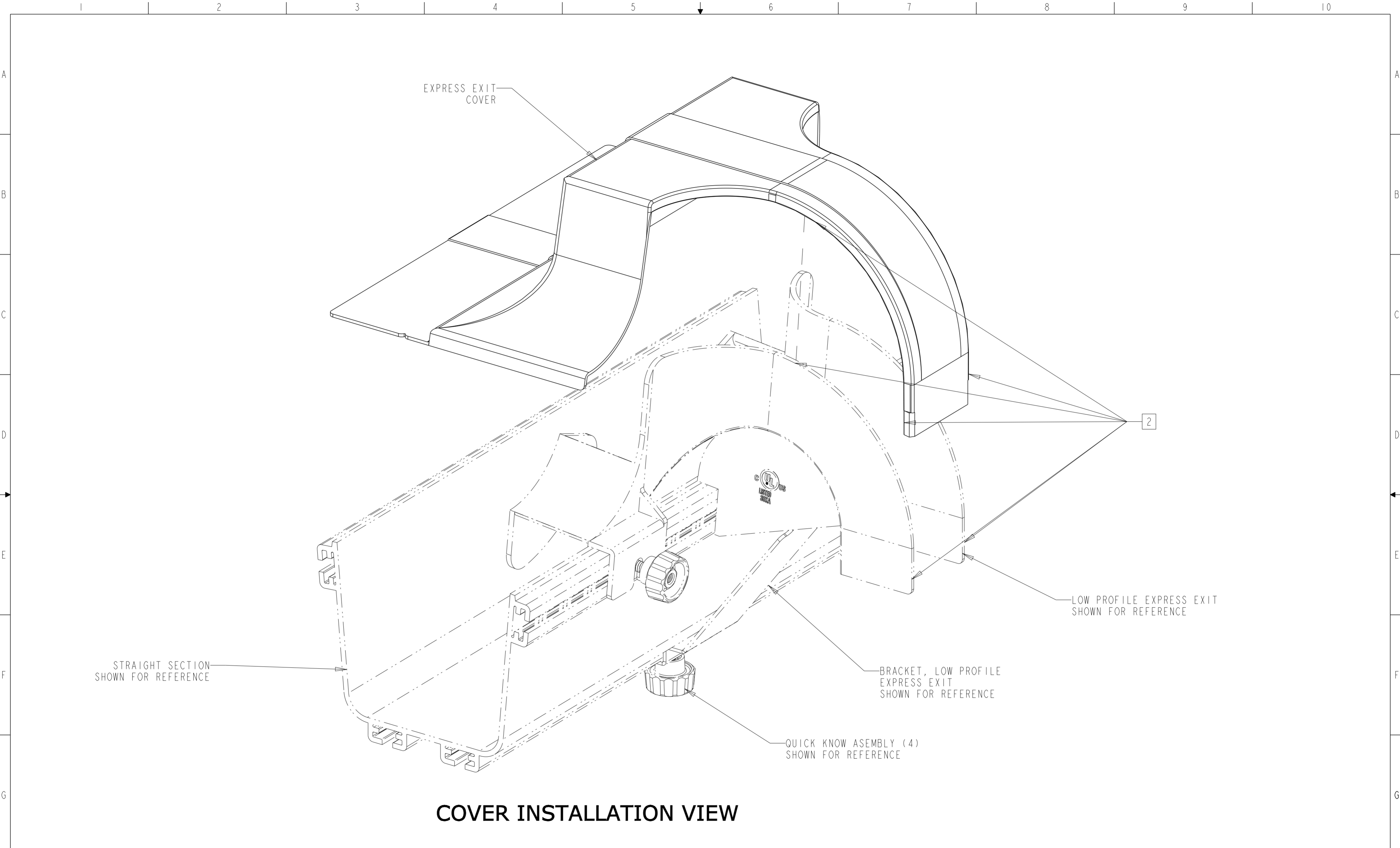


PARTS LIST		QTY
DESCRIPTION		
EXPRESS EXIT COVER 2"	1	1



FGS-MEXP-ABF-CV	YELLOW
<b>CATALOG NUMBER</b>	<b>COLOR</b>

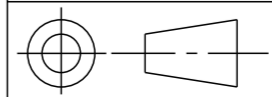
<b>COMMSCOPE, INC.</b>			
DRAFTER OSCAR VALENZUELA		TITLE DWNST, EXP, 2X2 EXIT INSTALLATION DWG	
ENGINEER RUBEN ARVILLA		SIZE A2	SCALE 0.500
		DOCUMENT NO. <b>660105089</b>	
CUSTOMER DRAWING			REVISION A
			SHEET 1 OF 2



**COVER INSTALLATION VIEW**

**INSTALLATION INSTRUCTIONS:**

- 1 CHECK COMPONENT LIST TO SEE WHAT IS AVAILABLE ON THIS KIT.
- 2 PLACE EXPRESS EXIT COVER ON EXPRESS EXIT AS SHOWN MAKING SHURE BORDERS OF COVER AND EXPRESS EXIT FIT RIGHT.

<b>COMMSCOPE, INC.</b>			
DRAFTER OSCAR VALENZUELA		TITLE DWNSTP, EXP, 2X2 EXIT INSTALLATION DWG	
ENGINEER RUBEN ARVILLA		SIZE A2	SCALE 0.750
		DOCUMENT NO. <b>660105089</b>	
		CUSTOMER DRAWING	
		REVISION A	SHEET 2 OF 2