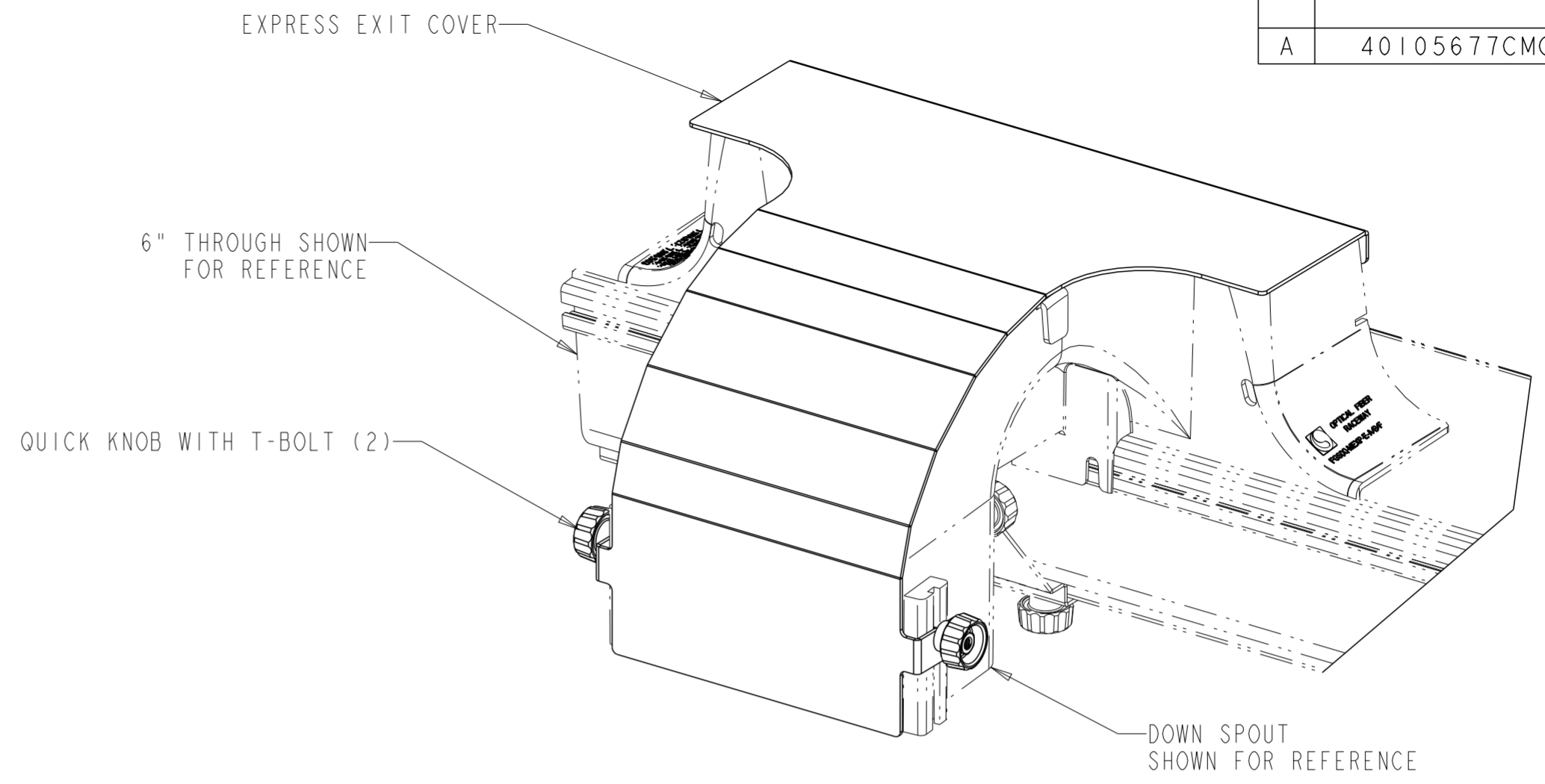
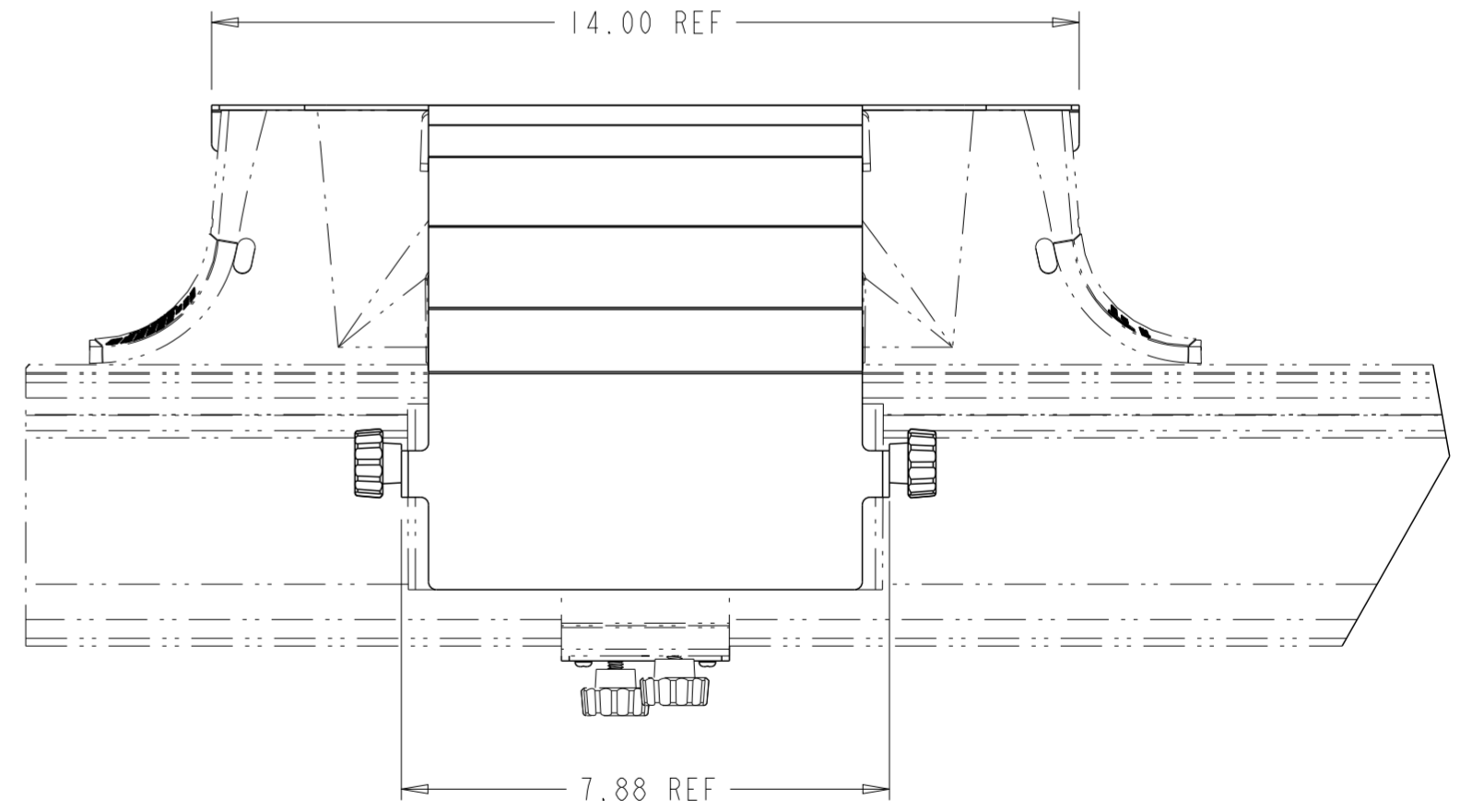
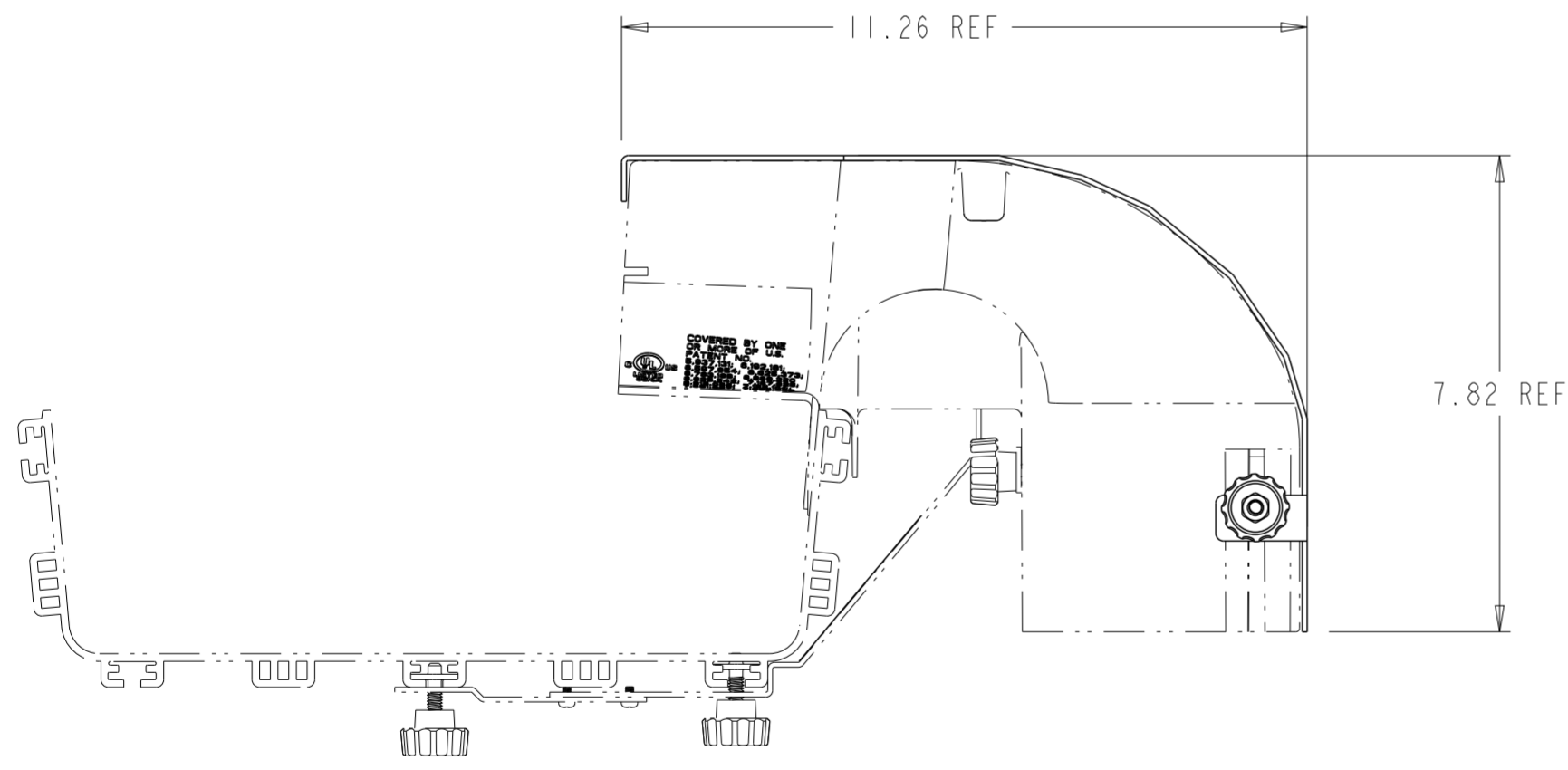


REVISIONS			
REV	CMO	DATE	APPROVED
A	40105677CMO	05-FEB-2020	ODVL

PARTS LIST	
DESCRIPTION	QTY
EXPRESS EXIT COVER 4X6	1
QUICK KNOB WITH T-BOLT	2



**COVER ON VIEW**



FGS-MEXP-G-ABF-CV	YELLOW
<b>CATALOG NUMBER</b>	<b>COLOR</b>

<b>COMMSCOPE, INC.</b>			
DRAFTER OSCAR VALENZUELA	TITLE EXPRESS EXIT 4X6 COVER (CUSTOMER DRAWING)		
ENGINEER RUBEN ARVILLA	SIZE A2	SCALE 0.350	DOCUMENT NO. <b>660105015</b>
CUSTOMER DRAWING			REVISION A
			SHEET 1 OF 2

EXPRESS EXIT COVER 4X6

QUICK KNOB (2)

SPOOL SHOWN FOR REFERENCE

DOWN SPOUT SHOWN FOR REFERENCE

STRAIGHT SECTION SHOWN FOR REFERENCE

MOUNTING BRACKET SHOWN FOR REFERENCE

### COVER INSTALLATION VIEW

#### INSTALLATION INSTRUCTIONS:

- 1 CHECK COMPONENT LIST TO SEE WHAT IS AVAILABLE ON THIS KIT.
- 2 ATTACH EXTENSION SUPPORT USING THE 2 HOLES ON THE TABS AS SHOWN.

**COMMSCOPE, INC.**

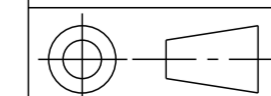
DRAFTER  
OSCAR VALENZUELA

TITLE  
EXPRESS EXIT 4X6 COVER (CUSTOMER DRAWING)

ENGINEER  
RUBEN ARVILLA

SIZE  
A2 0.350

DOCUMENT NO.  
**660105015**



CUSTOMER DRAWING

REVISION SHEET  
A 2 OF 2