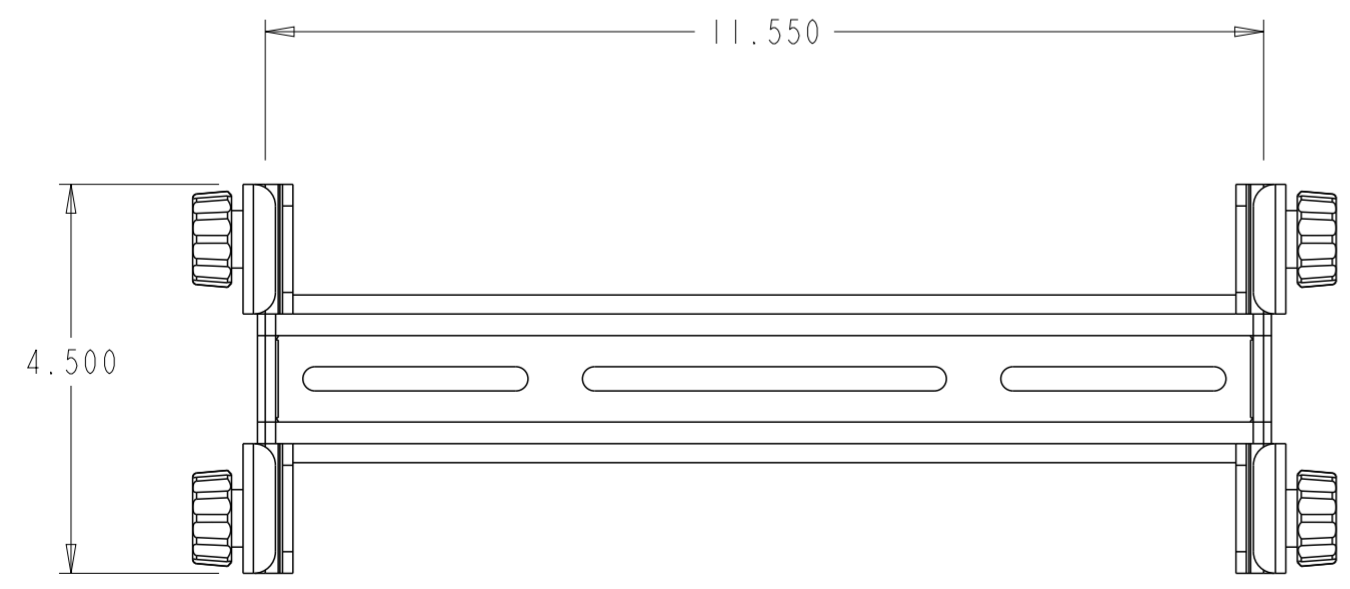
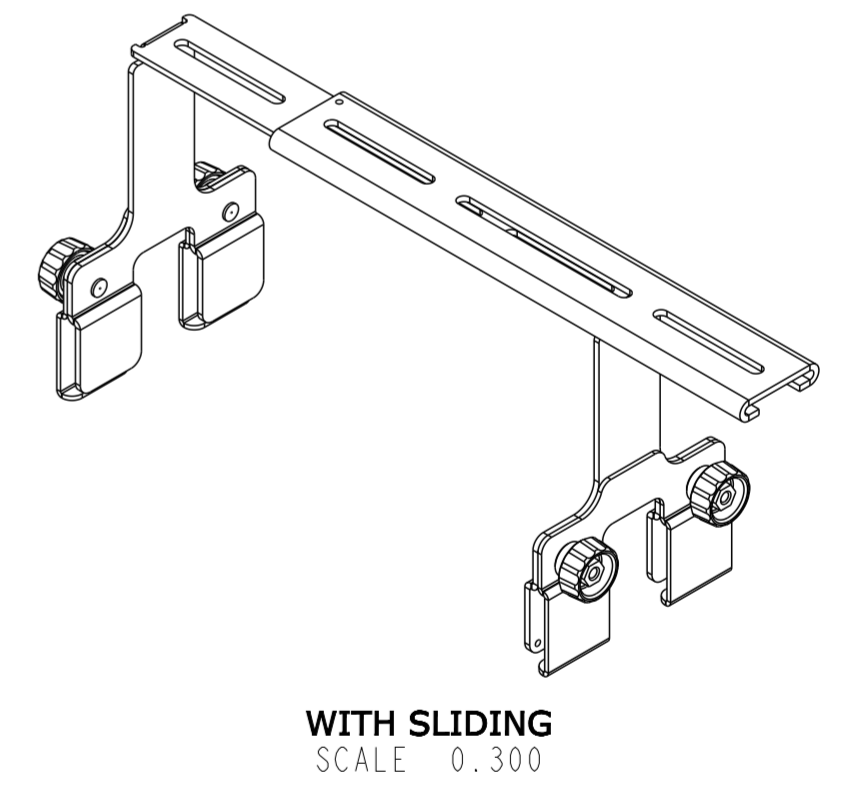
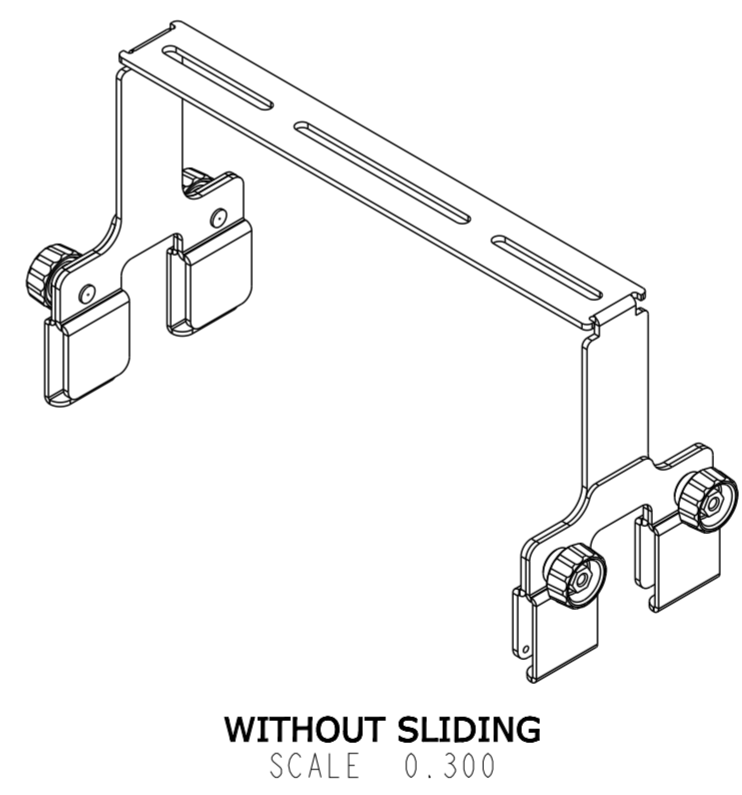
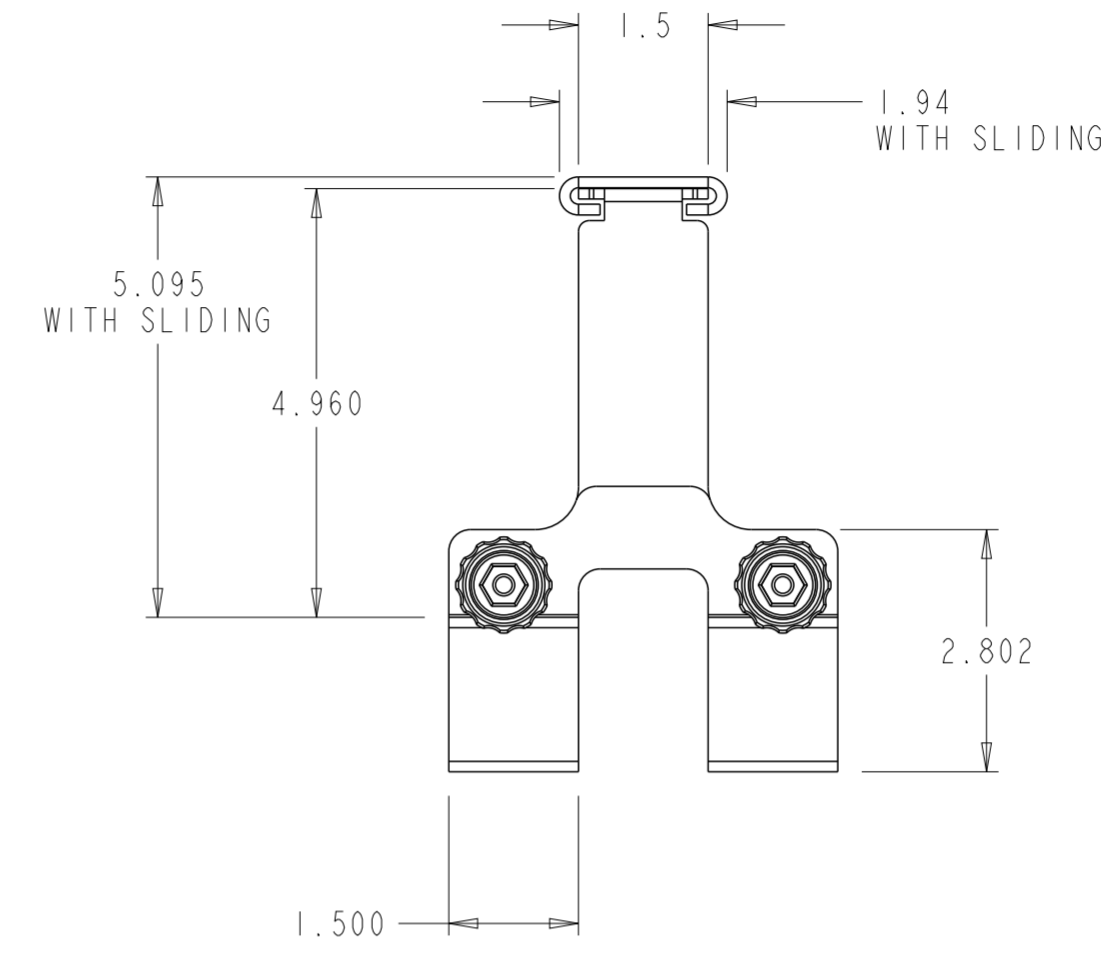
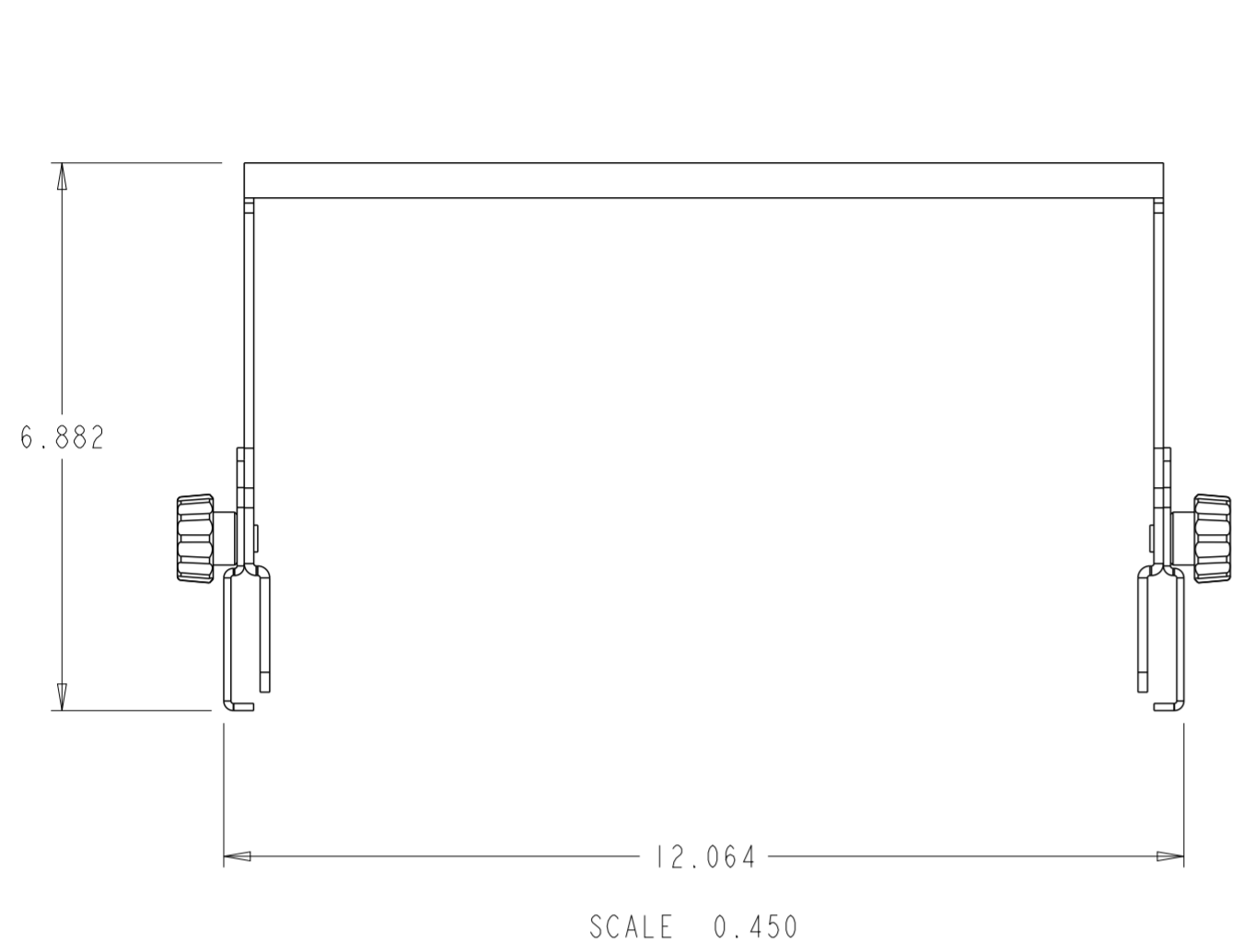


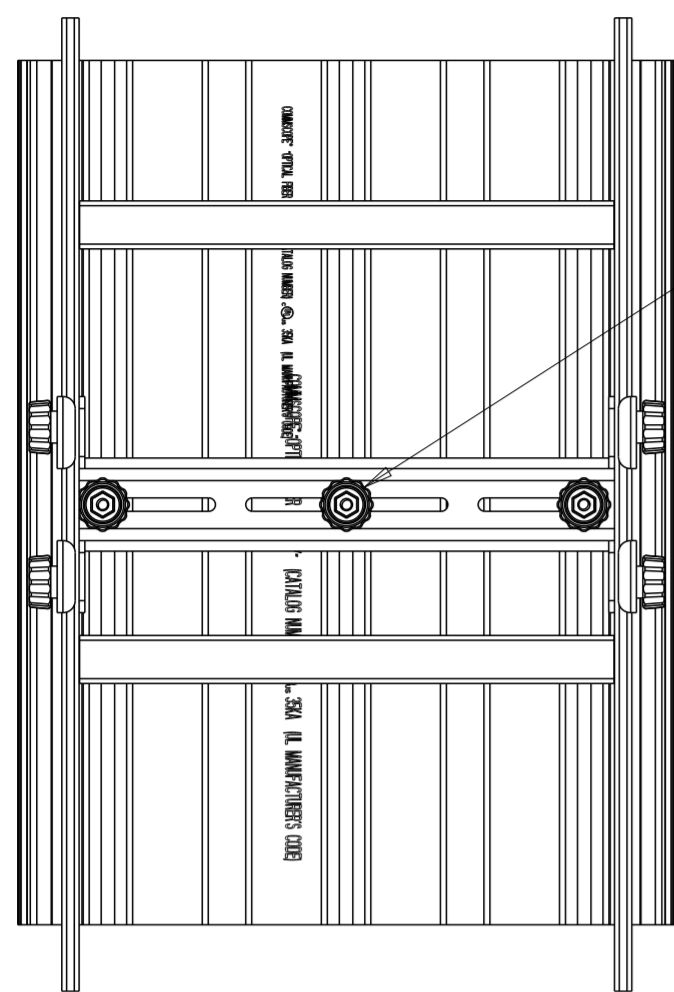
# TOOL-LESS FGS SUPPORT BRACKET 12"

REVISIONS			
REV	CMO	DATE	APPROVED
C	40108348CMO	21-MAY-2020	RAT
D	40110423CMO	26-MAY-2020	ODVL



FGS-HTBK-12-5-80PC	NON-SLIDING
FGS-HTBK-12-5-32PC	NON-SLIDING
FGS-HTBK-12-5	NON-SLIDING
FGS-HTBK-S-12-5	SLIDING
CATALOG NUMBER	SLIDING

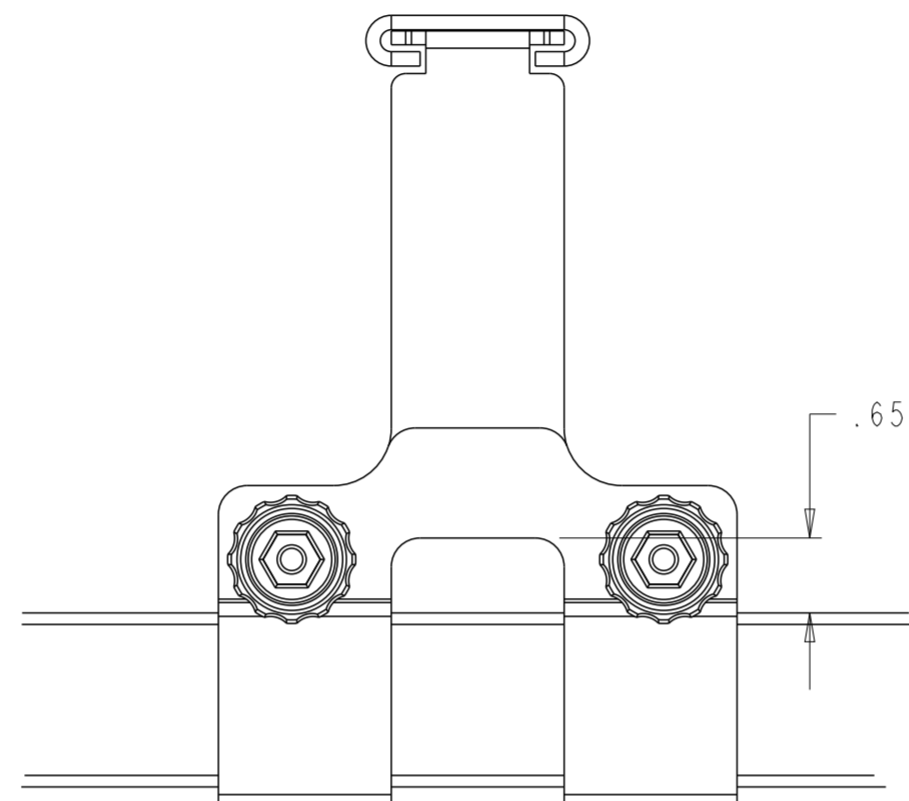
COMMSCOPE, INC.			
DRAFTER MIGUEL MUÑOZ	TITLE FGS, TOOL-LESS 12" SUPPORT BRACKET W/WO SLIDING INSTLL DWG		
ENGINEER RUBEN ARVILLA	SIZE A2	SCALE 0.333	DOCUMENT NO. 660004195
CUSTOMER DRAWING			REVISION D
			SHEET 1 OF 2



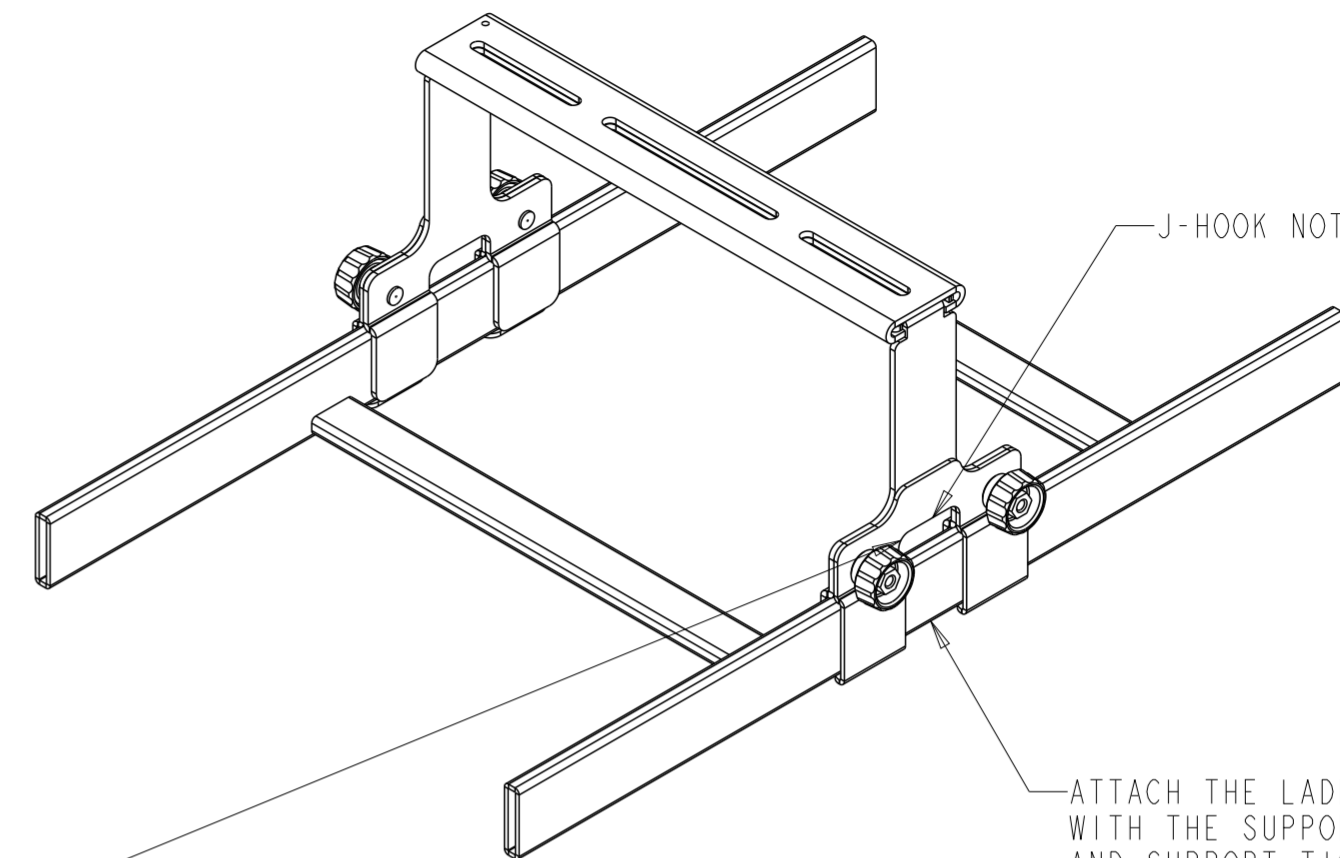
ATTACH QUICK KNOB WITH T-BOLT WITH THE FIBER GUIDE

SCALE 0.250

# 4 X 12 STRAIGHT SECTION REF ASSEMBLY



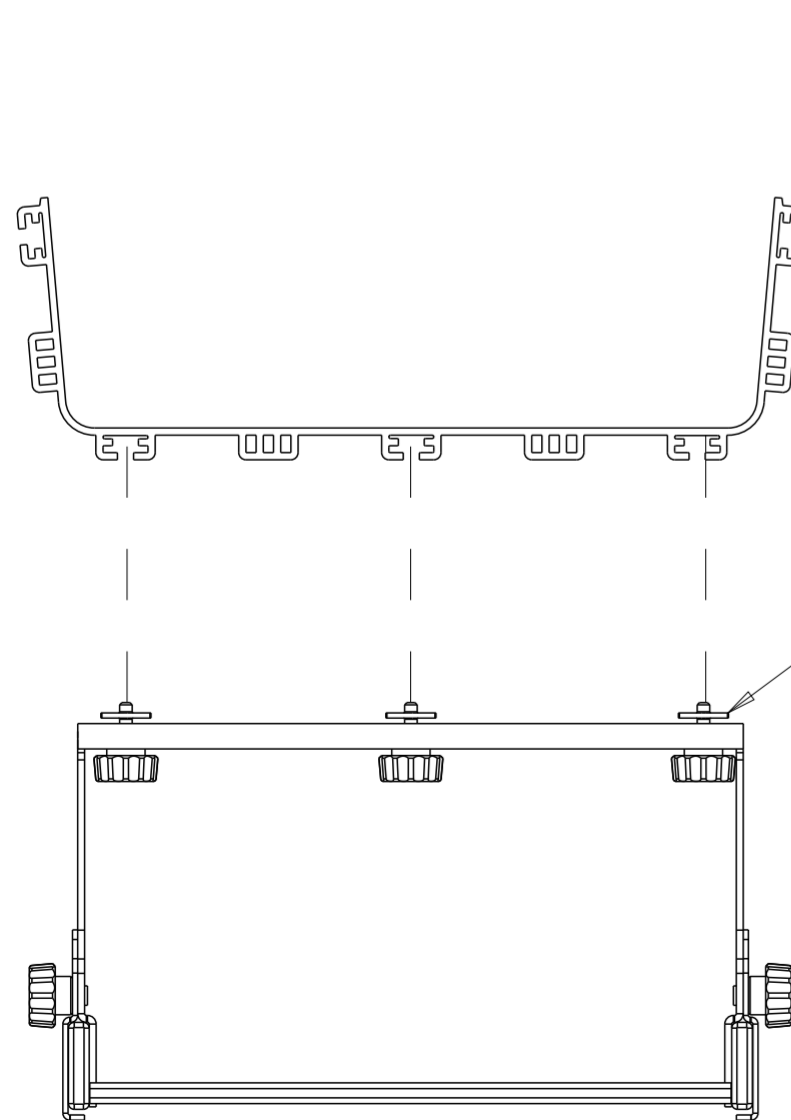
J-HOOK NOTCH VIEW  
SCALE 0.600



J-HOOK NOTCH

ATTACH THE LADDER RACK WITH THE SUPPORT BRACKET AND SUPPORT TIGHTEN BRACKET

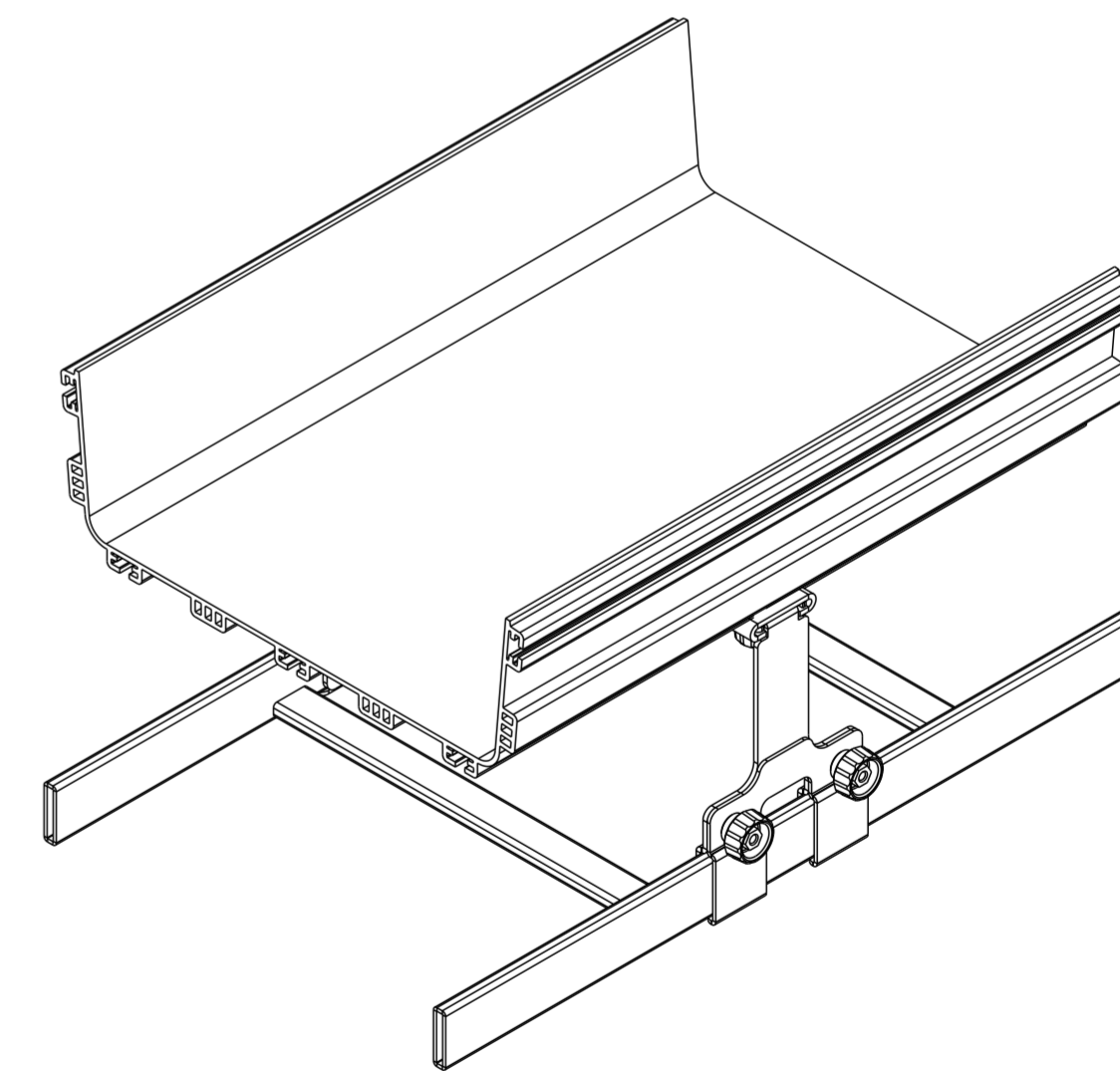
SCALE 0.300



4 X 12 STRAIGHT SECTION REF

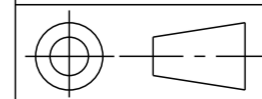
INSERT THE QUICK KNOB T-BOLT IN FIBER GUIDE

SCALE 0.300



SCALE 0.250

<b>COMMSCOPE, INC.</b>			
DRAFTER MIGUEL MUÑOZ	TITLE FGS, TOOL-LESS 12" SUPPORT BRACKET W/WO SLIDING INSTLL DWG		
ENGINEER RUBEN ARVILLA	SIZE A2	SCALE 0.333	DOCUMENT NO. <b>660004195</b>
CUSTOMER DRAWING			REVISION D
			SHEET 2 OF 2



A  
B  
C  
D  
E  
F  
G  
H

A  
B  
C  
D  
E  
F  
G  
H