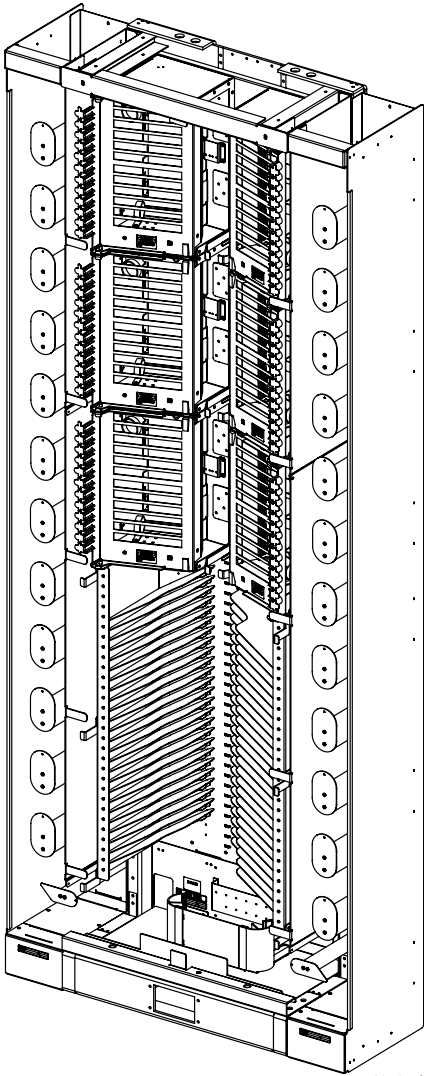


## OMX™ Bay System

### Application Guide



## COPYRIGHT

© 2022, CommScope Inc.  
All Rights Reserved

## REVISION HISTORY

ISSUE	DATE	REASON FOR CHANGE
1	12/2009	Original.
Rev B	May 2022	Re-branded. from ADC to CommScope.

## TRADEMARK INFORMATION

CommScope, CommScope (logo), and OMX600 are trademarks.

## DISCLAIMER OF LIABILITY

Contents herein are current as of the date of publication. CommScope reserves the right to change the contents without prior notice. **In no event shall CommScope be liable for any damages resulting from loss of data, loss of use, or loss of profits and CommScope further disclaims any and all liability for indirect, incidental, special, consequential or other similar damages. This disclaimer of liability applies to all products, publications and services during and after the warranty period.**

## PRODUCT PATENTS

<http://www.cs-pat.com>

## PRODUCT SUPPORT

<http://www.commscope.com/SupportCenter>

**COMMSCOPE®**

# TABLE OF CONTENTS

Content	Page
About This Manual .....	v
Admonishments .....	v
Related Publications .....	v
<b>1 DESCRIPTION</b> .....	<b>1</b>
1.1 OMX Bay .....	1
1.2 Termination Module .....	2
1.3 Splice Module .....	4
1.4 Round Splice Tray .....	5
1.4.1 Round Splice Roll-Up Direction .....	6
1.5 Jumper Storage Module .....	6
1.6 Cable Clamps .....	8
<b>2 OMX600 BAY CONFIGURATIONS</b> .....	<b>9</b>
2.1 Skeleton Frame .....	9
2.2 576 Termination, 576 Splice Configuration .....	10
2.3 576 Termination, 288 Splice Configuration .....	11
2.4 288 Termination, 288 Splice Configuration .....	12
2.5 960 Termination Configuration .....	13
<b>3 INSTALLATION</b> .....	<b>14</b>
3.1 Termination Module Installation Overview .....	14
3.2 Termination Module .....	16
3.2.1 Termination Module (Pre-Loaded With IFC Cable) .....	18
3.3 Splice Module .....	22
3.4 Jumper Storage Module .....	23
3.5 Cable Clamp Installation .....	24
<b>4 CABLE ROUTING</b> .....	<b>26</b>
4.1 576 Termination, 576 Splice Configuration .....	26
4.2 576 Termination, 288 Splice Configuration .....	28
4.3 288 Termination, 288 Splice Configuration .....	30
4.4 960 Termination Configuration .....	32
4.5 Termination Module Cable Routing .....	34
4.5.1 Fiber Optic Terminal (FOT) Jumper Cable Routing .....	35
4.5.2 IFC Ribbon Cable .....	37
4.5.3 IFC Stranded Fiber Cable .....	40
4.5.4 12-Fiber IFC Pigtailed With Oval Tubes .....	42
4.5.5 12-Fiber Pigtailed .....	43
<b>5 JUMPER CABLE ROUTING</b> .....	<b>44</b>
5.1 Cross-Connect Jumper Cable Routing .....	45
5.2 Interconnect Jumper Cable Routing .....	48
5.2.1 Overhead Cable Entry Environment (Steps 1 and 2) .....	48
5.2.2 Under Floor Cable Entry Environment (Option 1) .....	51
5.2.3 Under Floor Cable Entry Environment (Option 2) .....	52

## TABLE OF CONTENTS

Content	Page
5.2.4 Interconnect Jumper Cable Routing (Single Bay With External IMP) .....	53
5.2.5 Interconnect Jumper Cable Routing (Multiple Bay Lineup) .....	54
6 GROUND CONNECTION .....	55
7 INTERBAY MANAGEMENT PANEL (IMP) MODULE INSTALLATION .....	56
8 END GUARD ASSEMBLY .....	62
9 TOP COVER ASSEMBLY (ACCESSORY).....	63
10 CUSTOMER INFORMATION AND ASSISTANCE .....	64

## ABOUT THIS MANUAL

This manual contains descriptions, rack configurations, applications, and cable routing instructions for the OMX600 bay

## ADMONISHMENTS

Important safety admonishments are used throughout this manual to warn of possible hazards to persons or equipment. An admonishment identifies a possible hazard and then explains what may happen if the hazard is not avoided. The admonishments — in the form of Dangers, Warnings, and Cautions — must be followed at all times. These warnings are flagged by use of the triangular alert icon (seen below), and are listed in descending order of severity of injury or damage and likelihood of occurrence.



**Danger:** *Danger is used to indicate the presence of a hazard that **will** cause severe personal injury, death, or substantial property damage if the hazard is not avoided.*



**Warning:** *Warning is used to indicate the presence of a hazard that **can** cause severe personal injury, death, or substantial property damage if the hazard is not avoided.*



**Caution:** *Caution is used to indicate the presence of a hazard that **will** or **can** cause minor personal injury or property damage if the hazard is not avoided.*

## RELATED PUBLICATIONS

Listed below are related manuals and their publication numbers. Copies of these publications can be ordered by contacting the CommScope Technical Assistance Center using the URL:

<http://www.commscope/SupportCenter>

Title/Description	Document Number
<b>Round Splice Tray Cable Routing Instructions</b> Provides instructions for routing fiber optic cables in a round splice tray.	<b>90-321</b>
<b>Optical Fiber Systems Cleaning and Mating Instruction</b> Provides instructions for cleaning and mating optical connectors.	<b>90-159</b>
<b>OMX Patch Cord Routing Guide</b> Provides patch cord routing instructions for an OMX bay.	<b>93-092</b>



# 1 DESCRIPTION

## 1.1 OMX Bay

The OMX600 bay is a modular frame that provides mounting positions for termination modules, splice modules, and jumper storage modules in a 600 mm × 300 mm footprint. The modular design provides several configuration options, depending on the application. Figure 1 shows a skeleton bay and a fully configured bay that can accommodate 576 terminations and 576 splices, respectively.

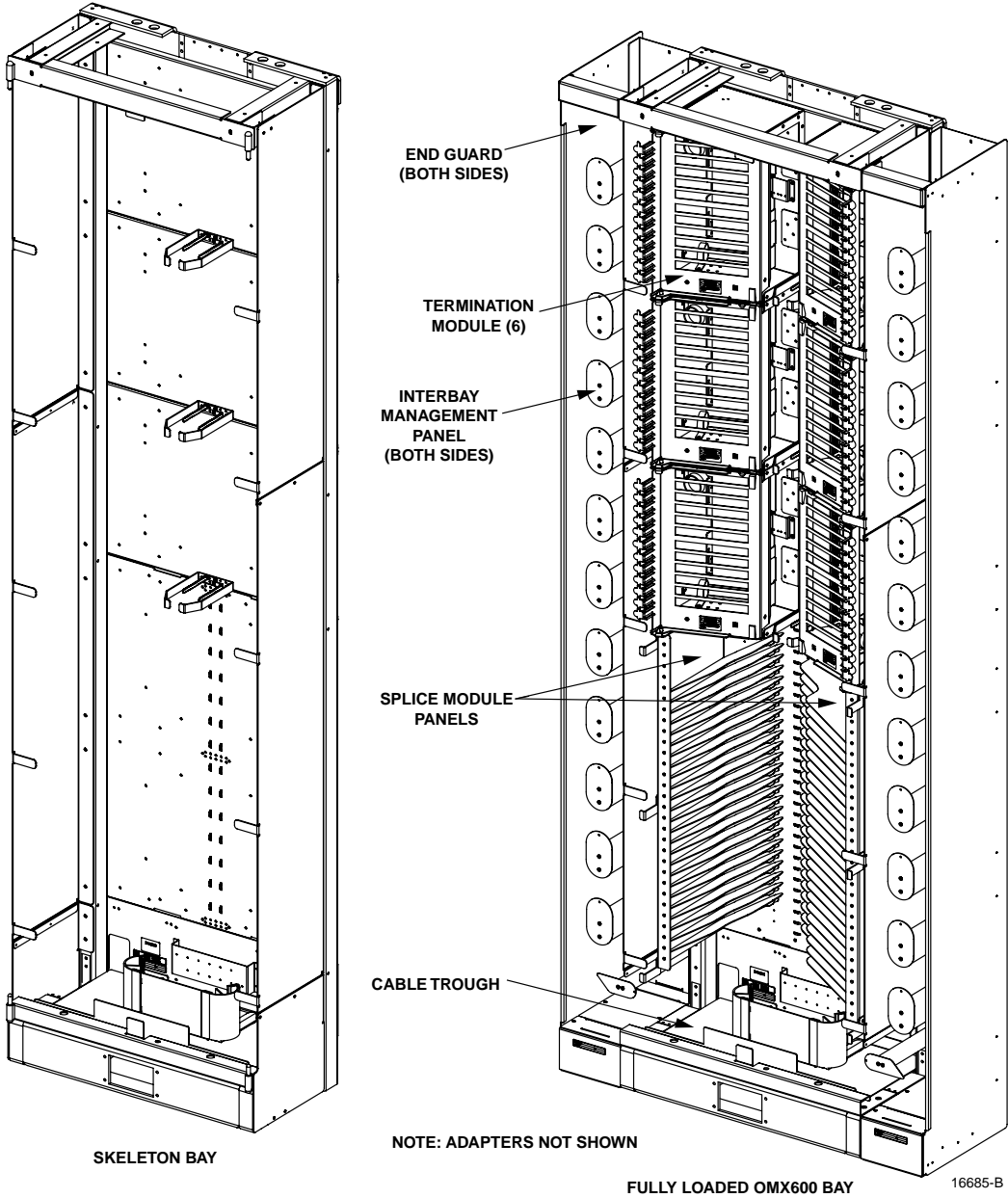


Figure 1. Front View of OMX600 Skeleton and Fully Loaded Bays, Respectively (Doors not Shown)

## 1.2 Termination Module

The OMX600 termination modules are available with 72, 96, or 144 (LC only) adapters. These modules can be ordered with adapters only or pre-terminated with either intrafacility fiber cables (IFC), outside plant (OSP) cables, or pigtails.

► **Note:** Capacities given in this manual are the same for stranded or ribbon cable.

Figure 2 shows the main components of the 72-position and 96-position OMX termination modules (72-position left side termination module shown on left; 96-position left side termination module shown on right).

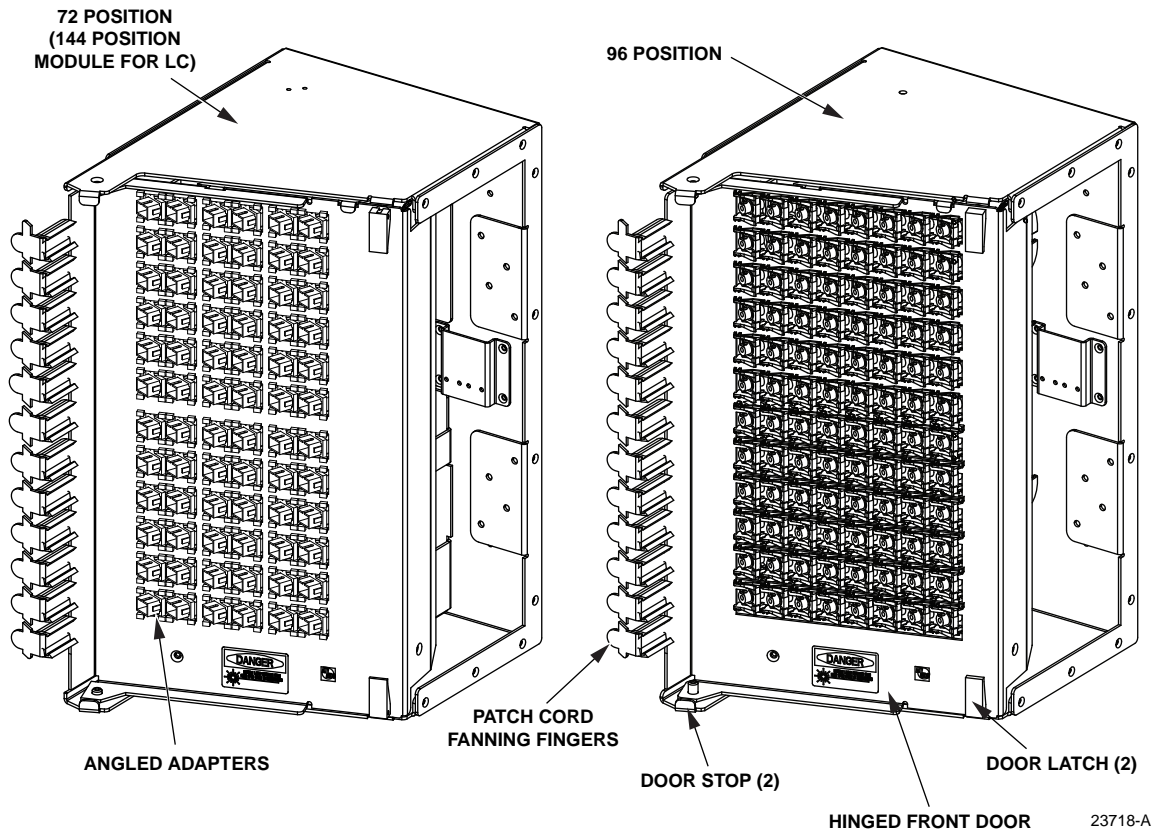


Figure 2. OMX Termination Modules External Components



Figure 3 shows the internal and removable components of the OMX module.

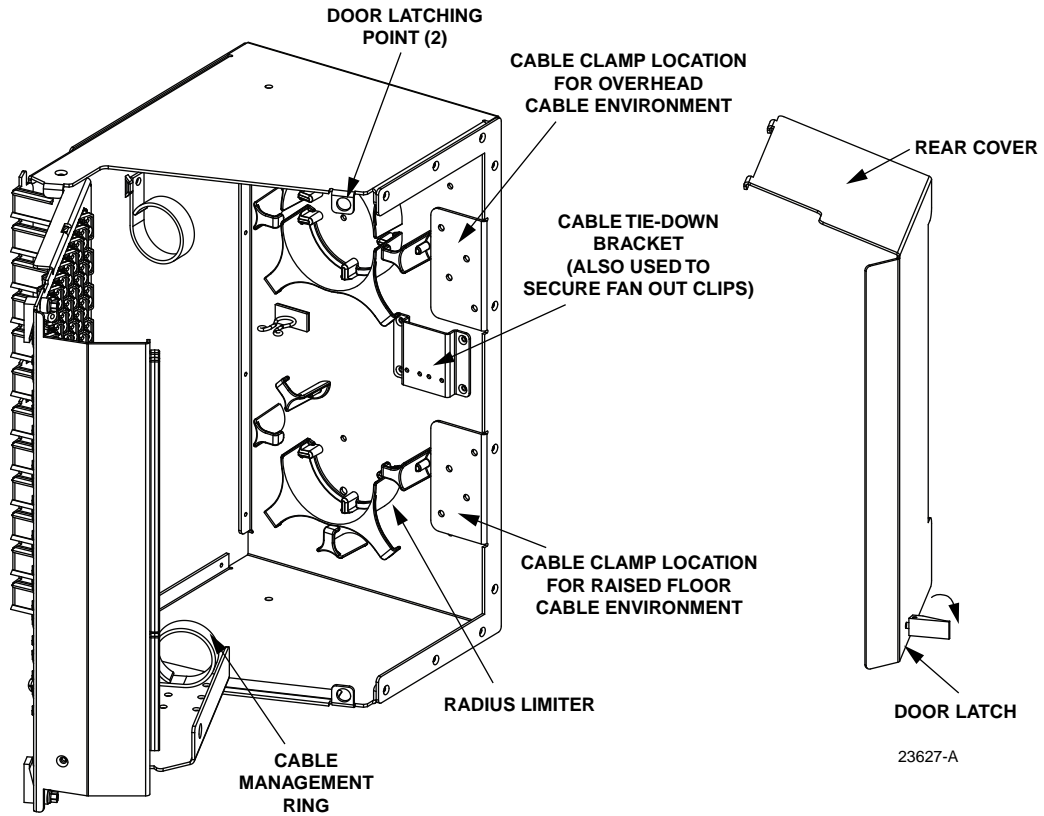


Figure 3. Internal and Removable Components

### 1.3 Splice Module

The OMX splice module, shown in Figure 4, provides a location for up to 24 round splice trays (ordered separately). There is a left and right side version of the splice module.

- ▶ **Note:** Splice tray holders are oriented up (shown) for overhead cable entry environments and down for under floor cable entry environments.

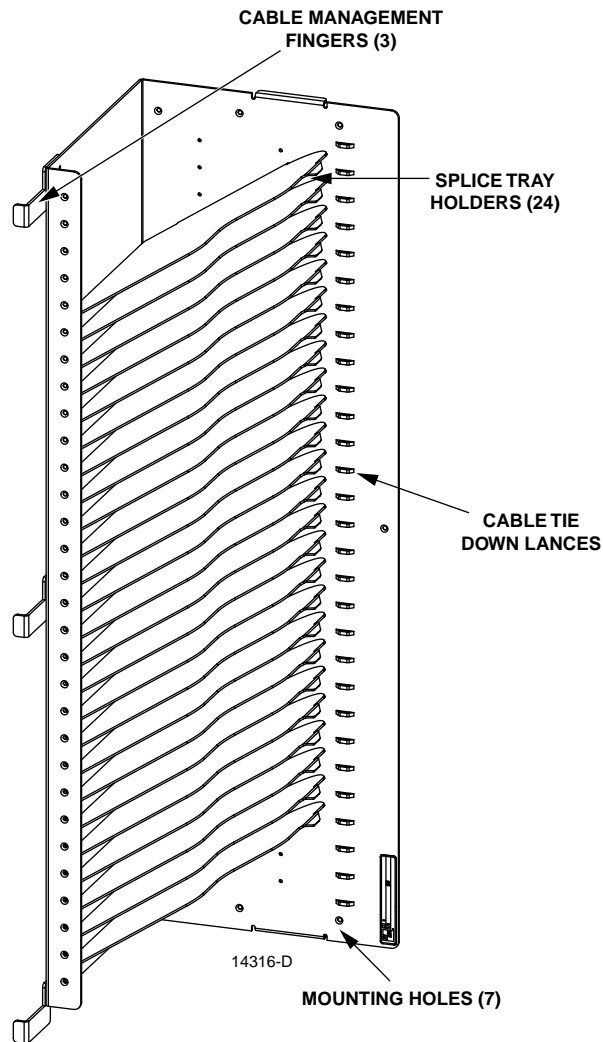
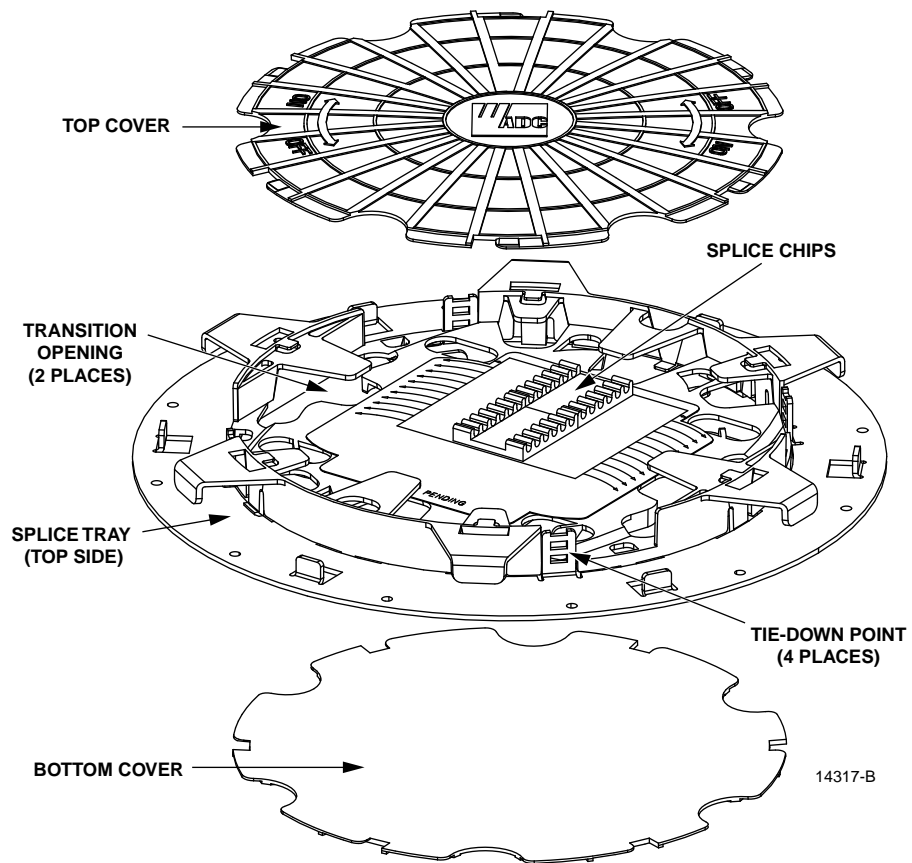


Figure 4. Splice Tray Module (Left Side Module Shown)

## 1.4 Round Splice Tray

The round splice tray provides cable management, storage, and splicing for multiple fiber optic cables. [Figure 5](#) shows the main components of the round splice tray. The tray can accommodate up to 24 stranded fibers or up to 2 x12 fiber ribbons (though, typically, a single 12-fiber mass fusion ribbon splice is used in each tray).

The tray consists of a top and bottom side for routing and storing fiber cables. The top side of the tray provides storage for splice protectors and excess fiber, while the bottom side is used to reverse the direction of half of the fibers.



**Figure 5. Round Splice Tray Components (12-Fiber Splice Tray Shown)**

### 1.4.1 Round Splice Roll-Up Direction

The cables routed to splice trays installed on the left side of the OMX600 bay (as viewed from the front) are rolled up in a counter-clockwise direction. Cables routed to splice trays installed on the right side of the bay are rolled up in a clockwise direction, as shown in [Figure 6](#).

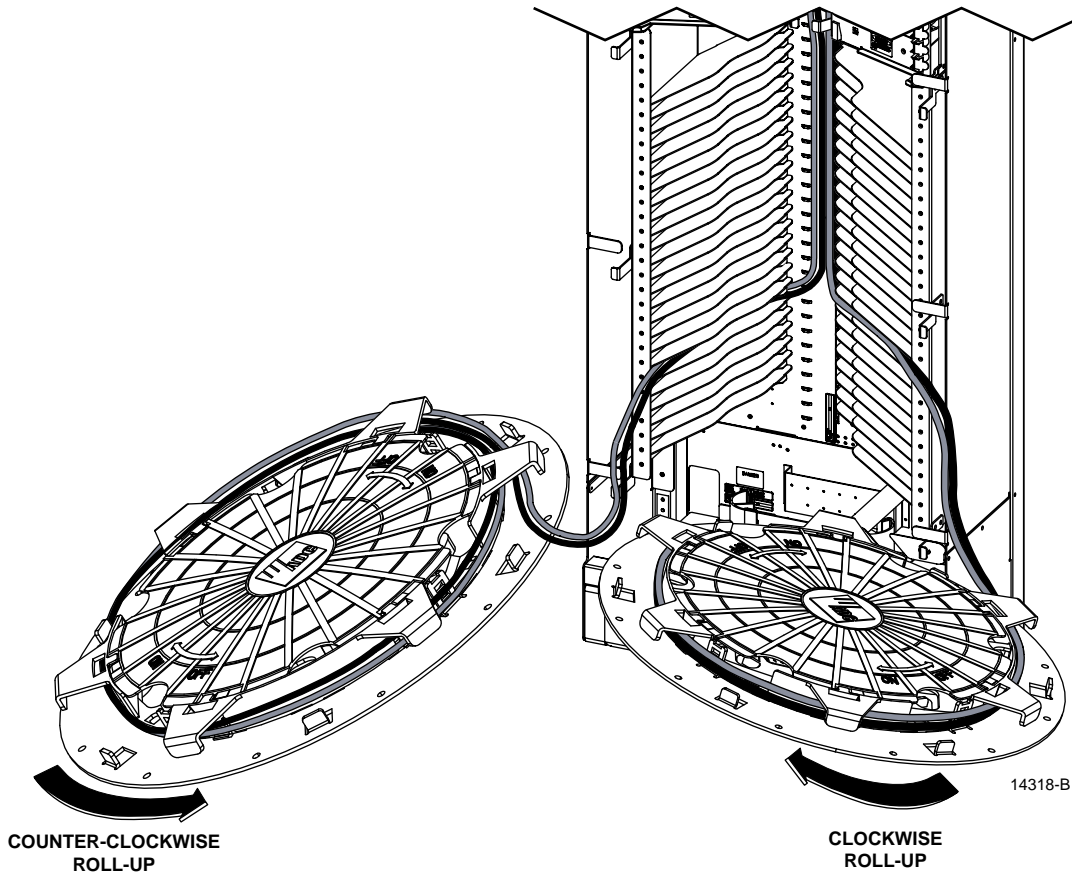


Figure 6. Counter-Clockwise and Clockwise Roll-Up Directions

### 1.5 Jumper Storage Module

The jumper storage modules provide a location to store jumper cables within a 600 mm frame and are available in either a right side (shipped as right side orientation) or left side orientation. Each jumper storage module occupies the same amount of vertical rack space as one termination module. A maximum of five jumper storage modules can be installed on the inside right or left of the frame. See [Figure 7](#).

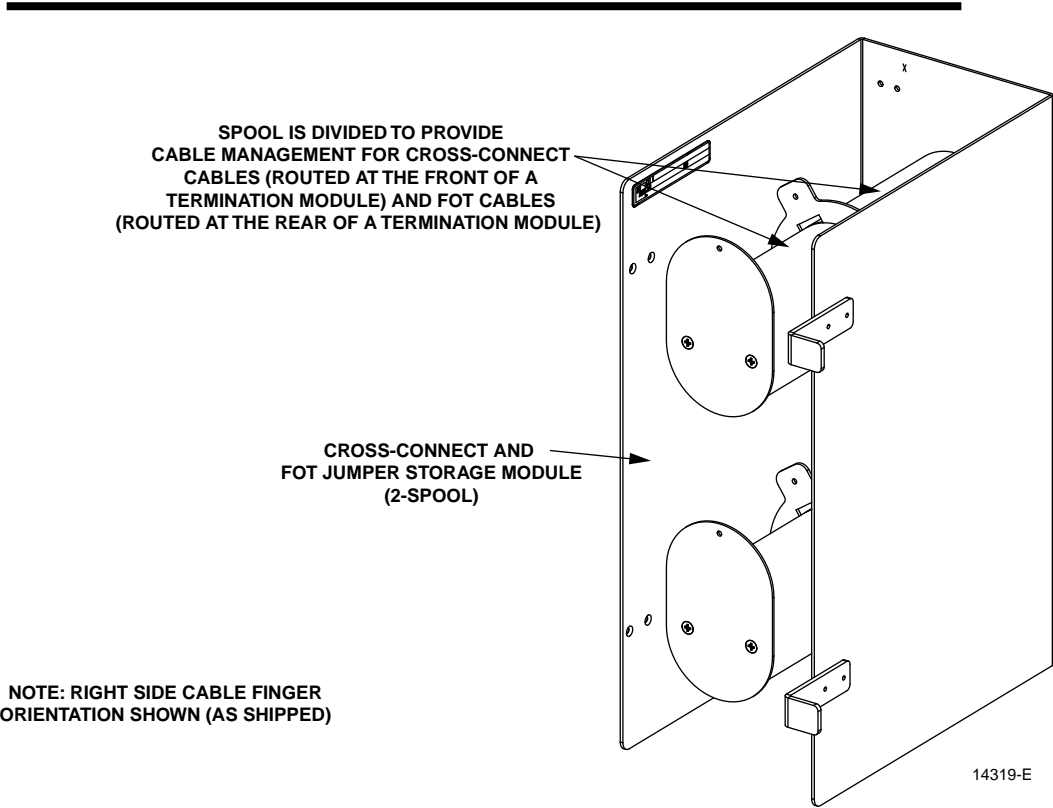
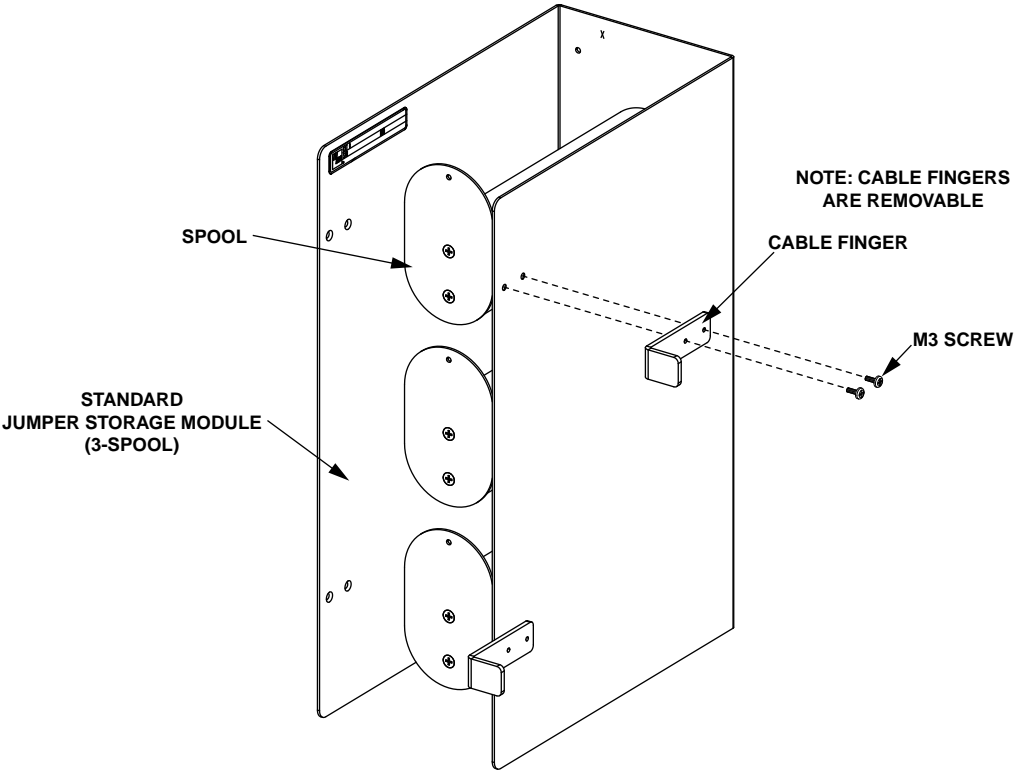


Figure 7. Jumper Storage Modules

## 1.6 Cable Clamps

Figure 8 shows the four main cable clamps used for the OMX600 bay and termination modules.

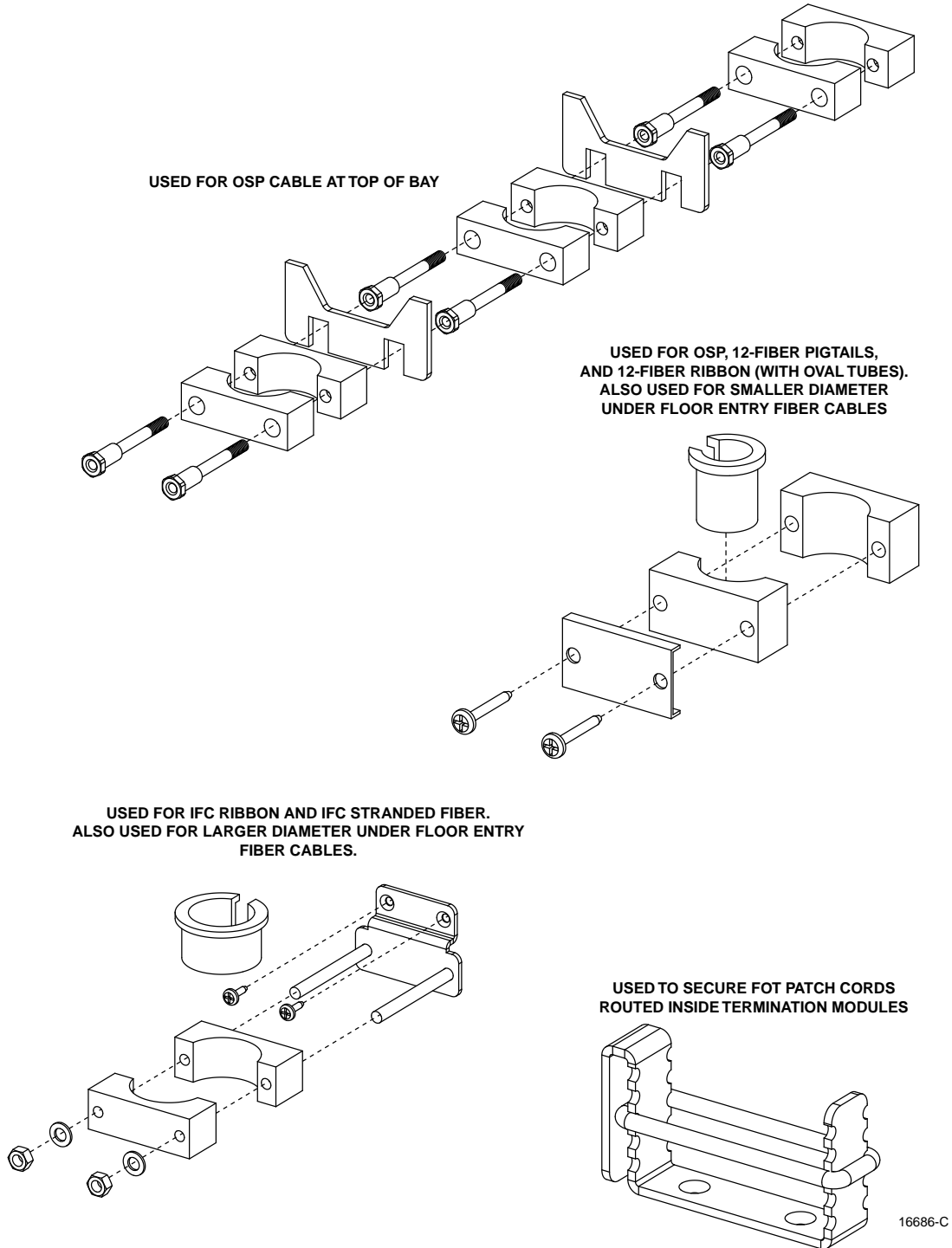


Figure 8. Cable Clamp Types

## 2 OMX600 BAY CONFIGURATIONS

The OMX600 frame is designed for optimal modularity and can be configured in various ways. This section contains five typical configurations.

### 2.1 Skeleton Frame

Figure 9 shows the main components of an OMX600 skeleton frame.

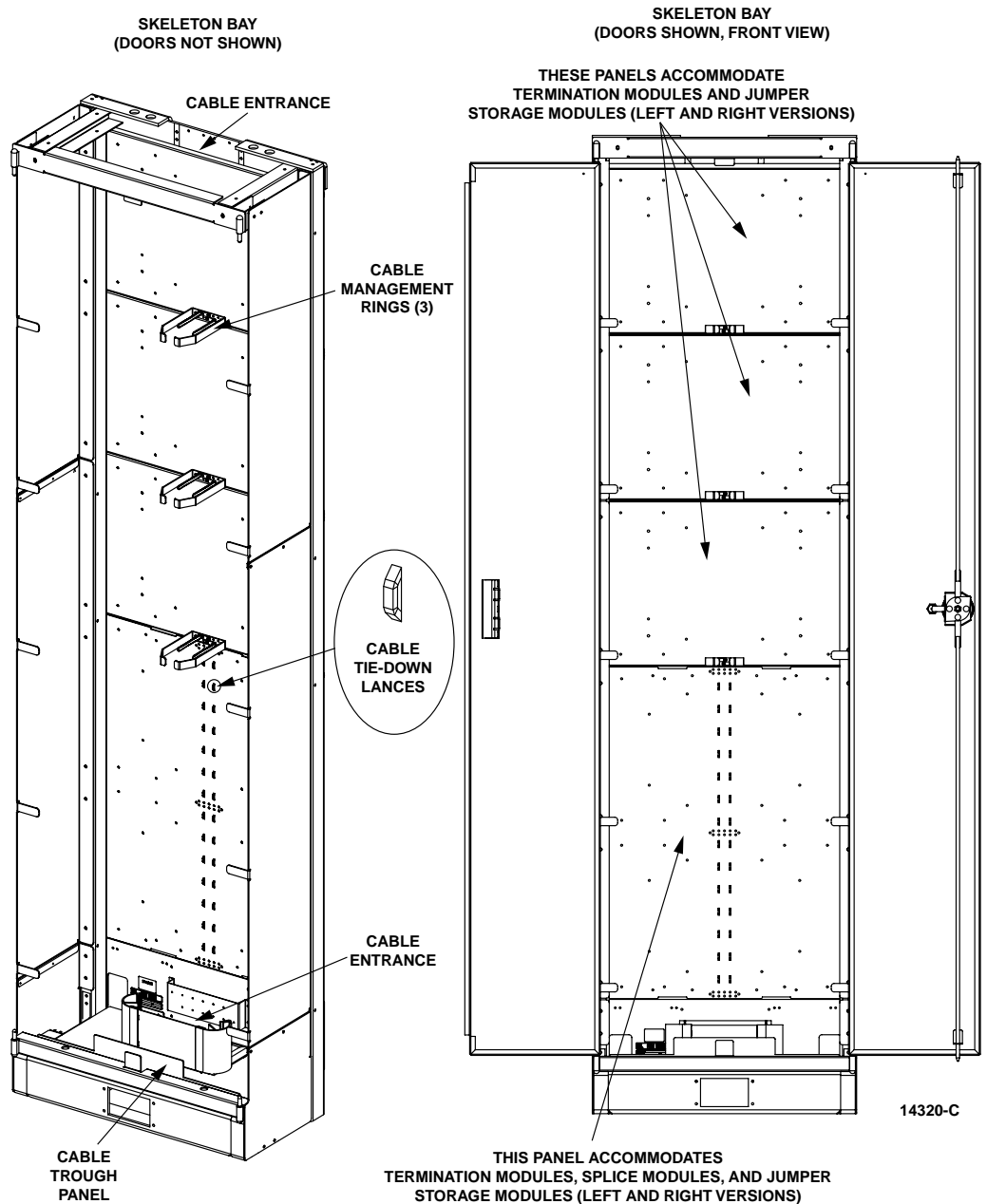


Figure 9. Skeleton Frame

## 2.2 576 Termination, 576 Splice Configuration

The OMX600 bay shown in Figure 10 is equipped with six termination modules (576 terminations) and two splice modules (576 splices).

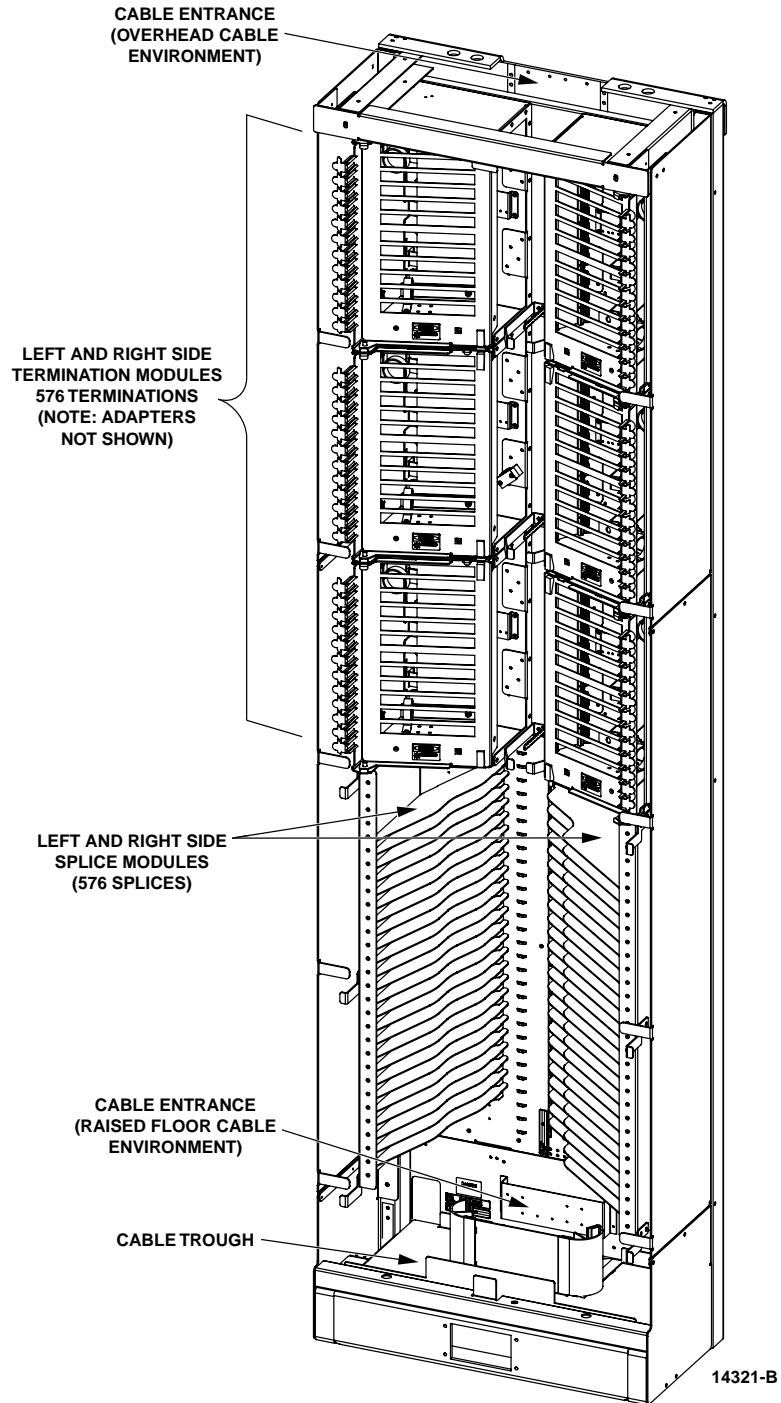
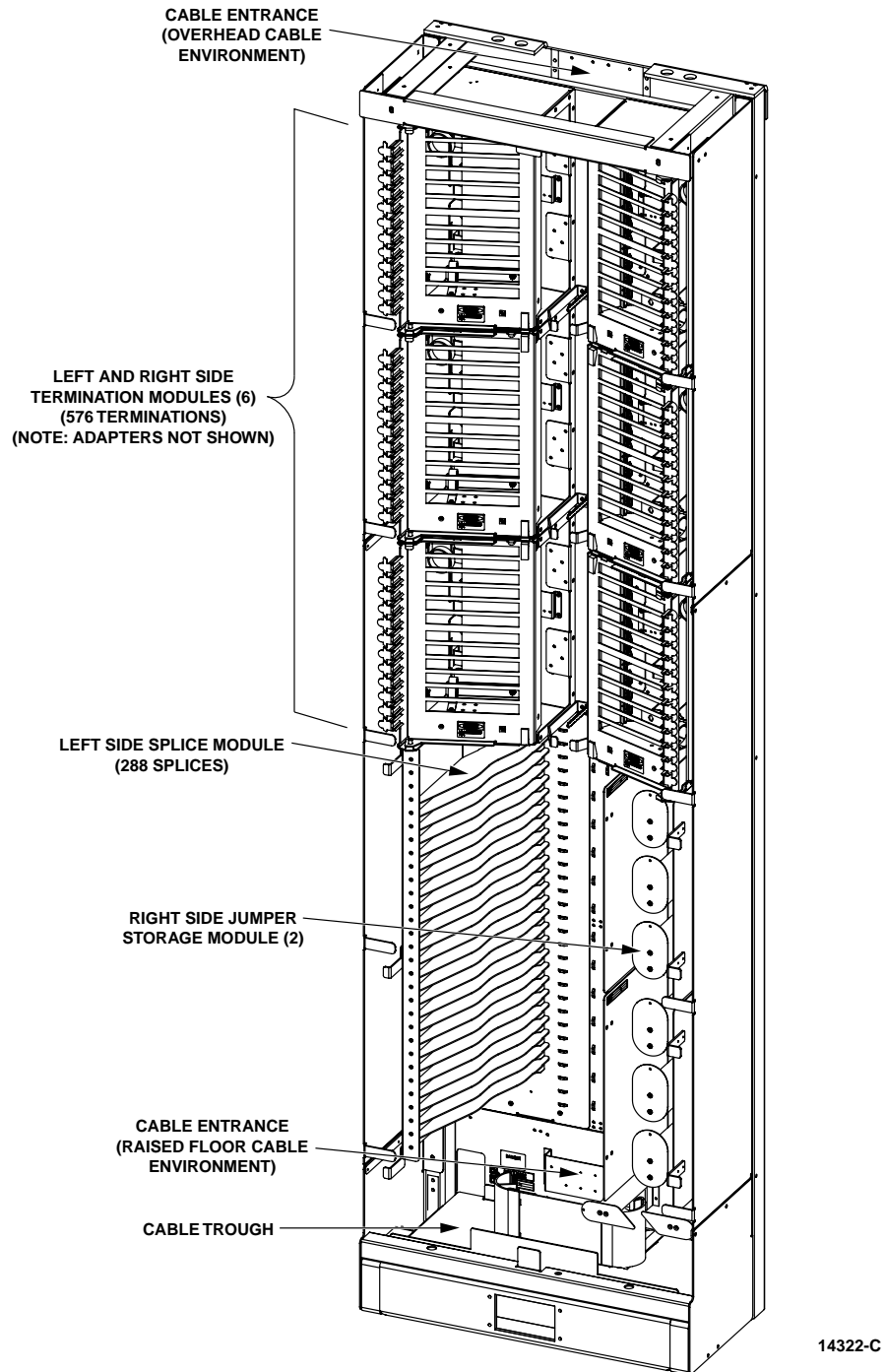


Figure 10. 576 Termination, 576 Splice Configuration



### 2.3 576 Termination, 288 Splice Configuration

The OMX600 bay shown in Figure 11 is equipped with six termination modules (576 terminations), a left side splice module (288 splices, 12 splices per tray), and two right side jumper storage modules (on-frame jumper storage).



14322-C

Figure 11. 576 Termination, 288 Splice Configuration

## 2.4 288 Termination, 288 Splice Configuration

The OMX600 bay shown in Figure 12 is equipped with three left-side termination modules (288 terminations), a left side splice module (288 splices), and five right-side jumper storage modules (on-frame jumper storage).

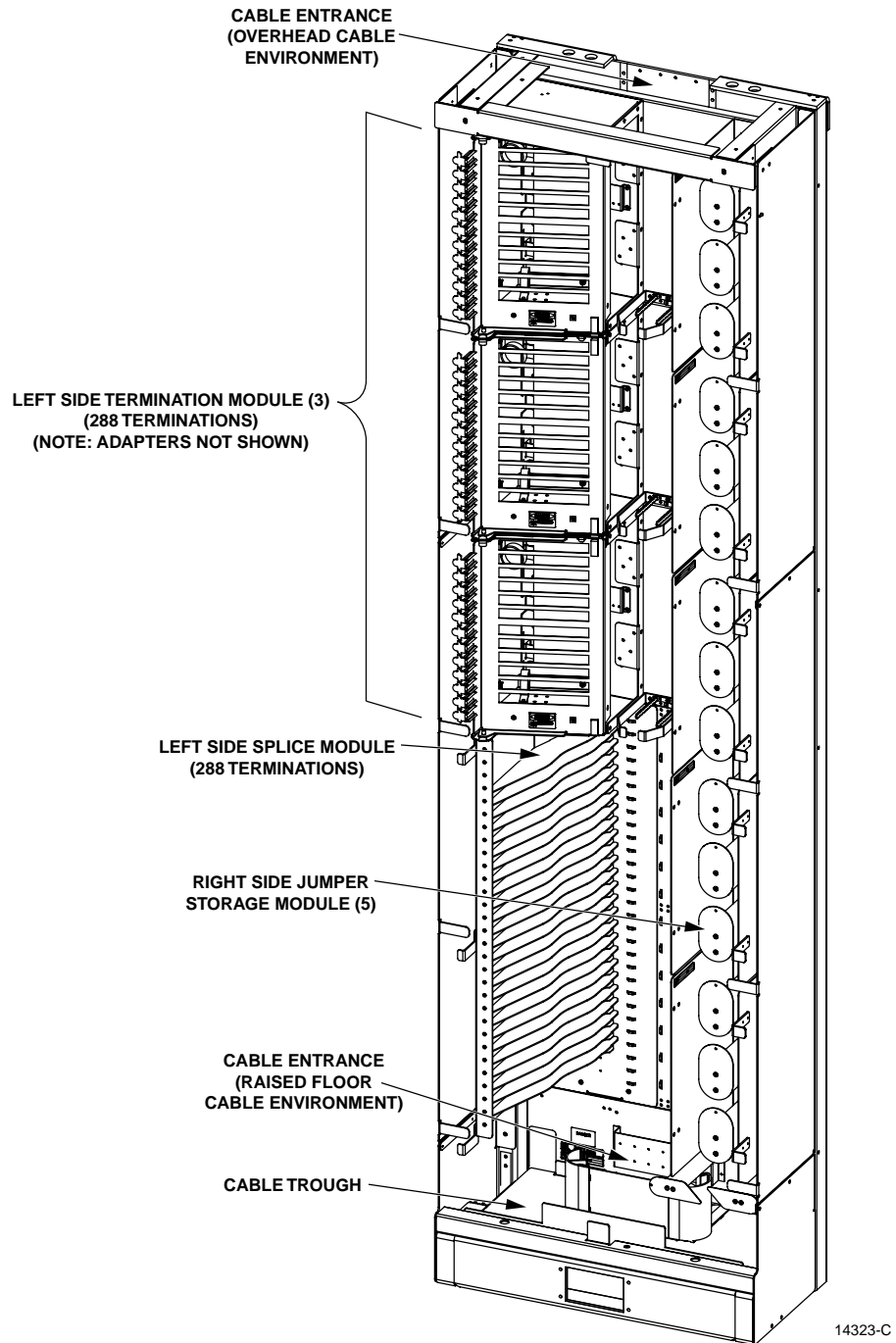


Figure 12. 288 Termination, 288 Splice Configuration

## 2.5 960 Termination Configuration

The OMX bay shown in Figure 13 is equipped with ten termination modules (five left-side and five right-side). With this configuration, splicing and jumper storage are done off-frame.

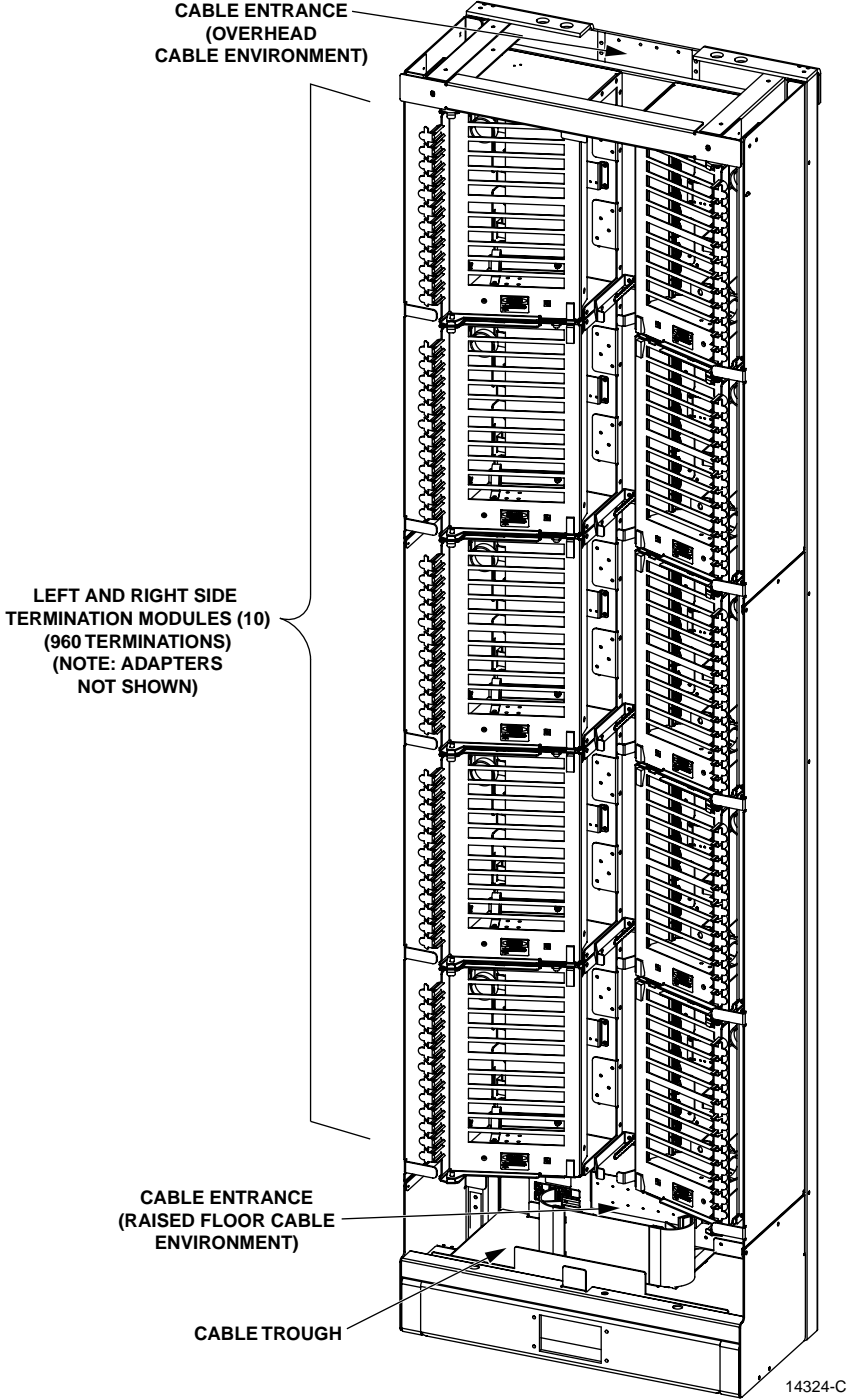


Figure 13. 960 Termination Configuration

### 3 INSTALLATION

#### 3.1 Termination Module Installation Overview

##### Overhead Cable Entry Environment

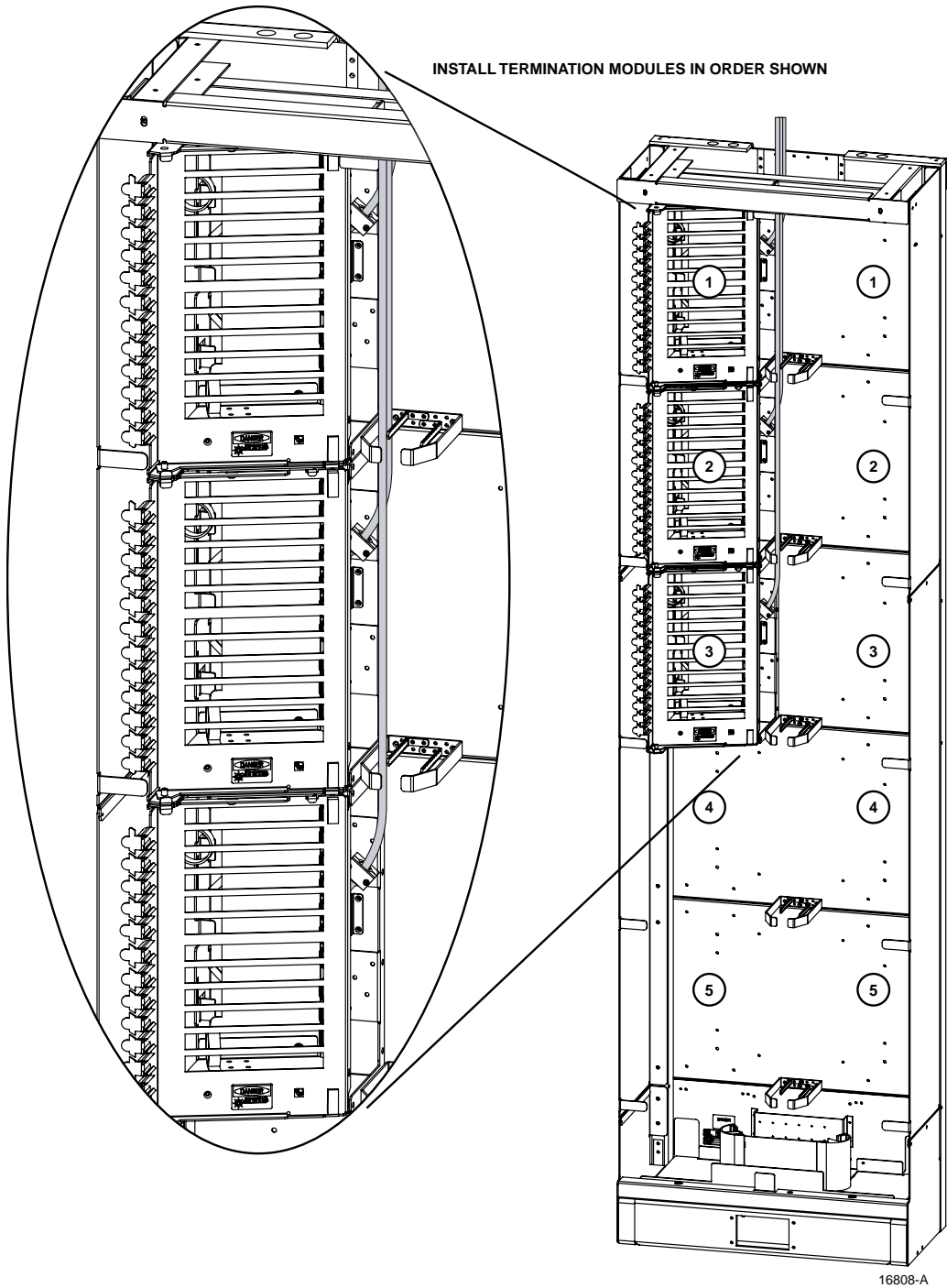


Figure 14. Termination Module Installation Overview

### Under Floor Cable Entry Environment

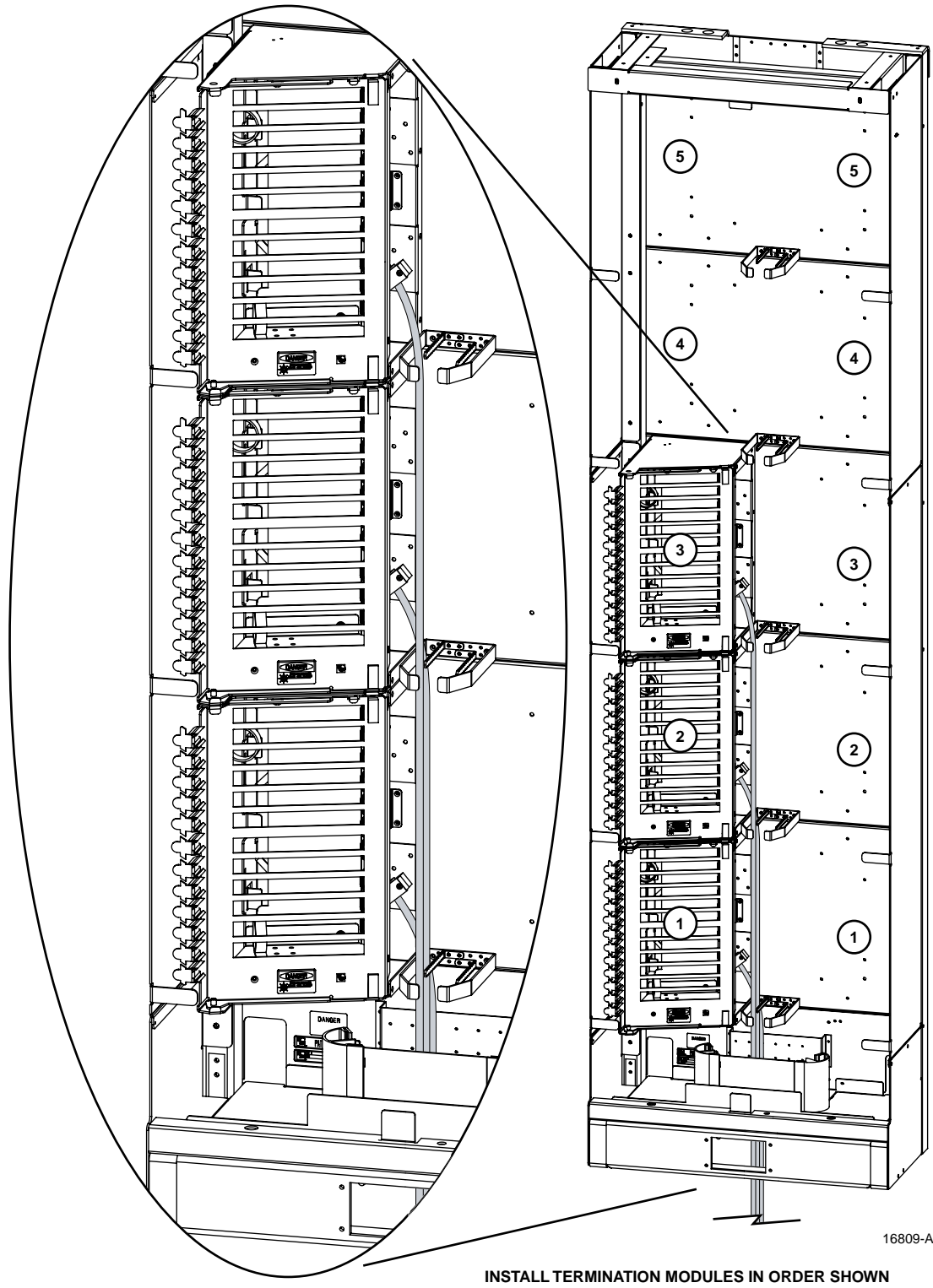


Figure 15. Termination Module Installation Overview

### 3.2 Termination Module

#### Remove Inside Covers on Termination Module

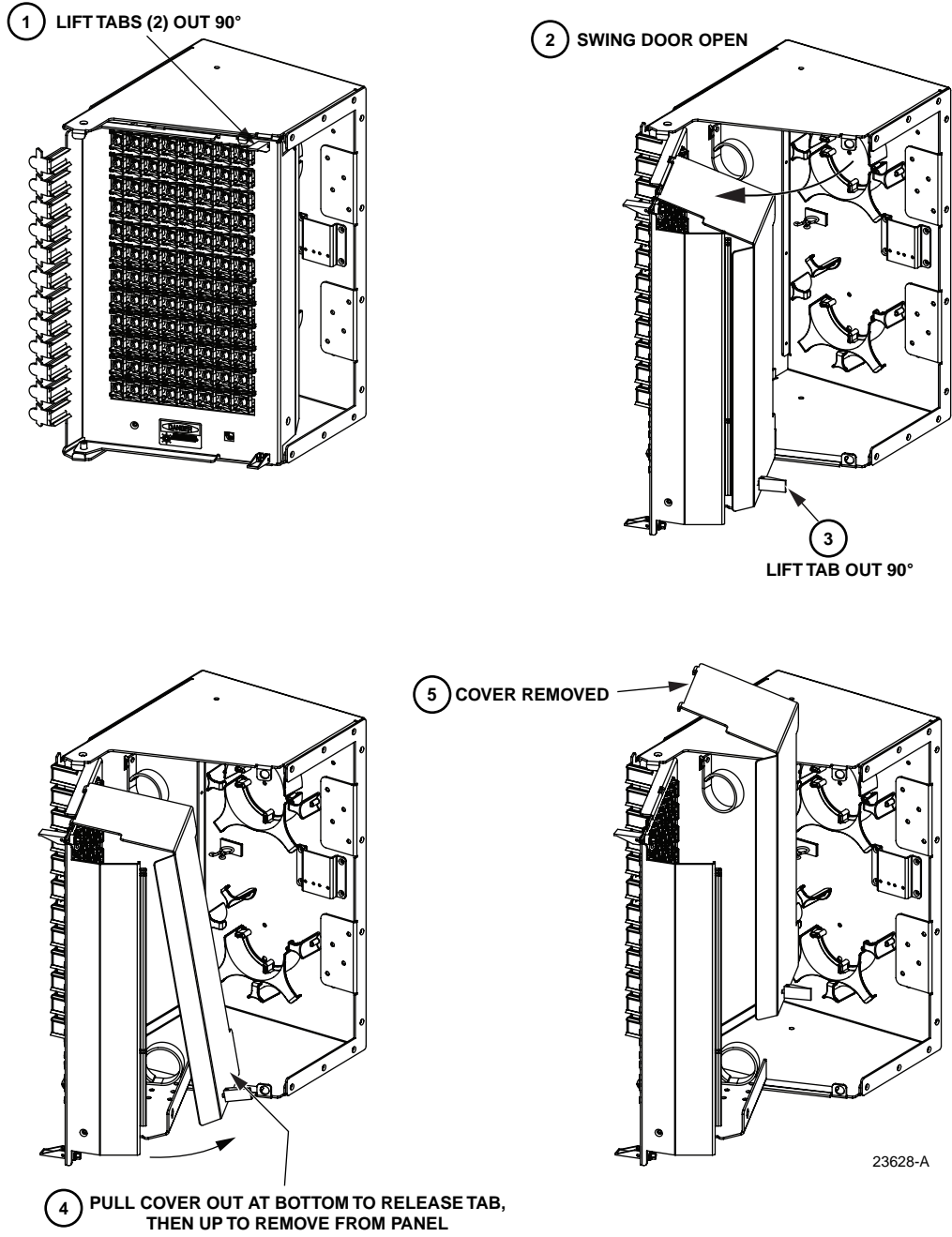


Figure 16. Remove Inside Covers on Termination Module

### Install Termination Module on Frame

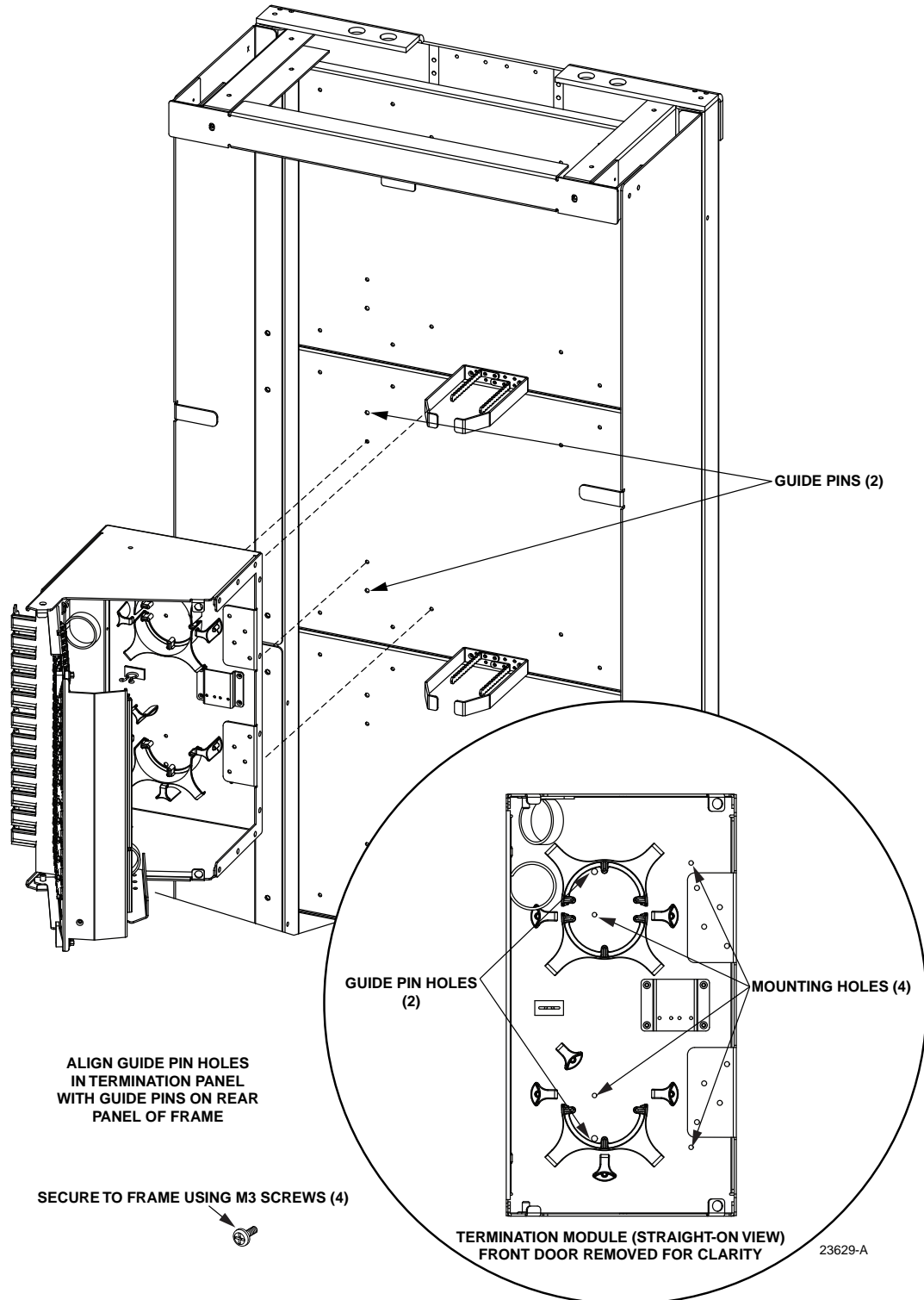


Figure 17. Install Termination Module on Frame (Left-Side Termination Module Shown, Front View)

### 3.2.1 Termination Module (Pre-Loaded With IFC Cable)

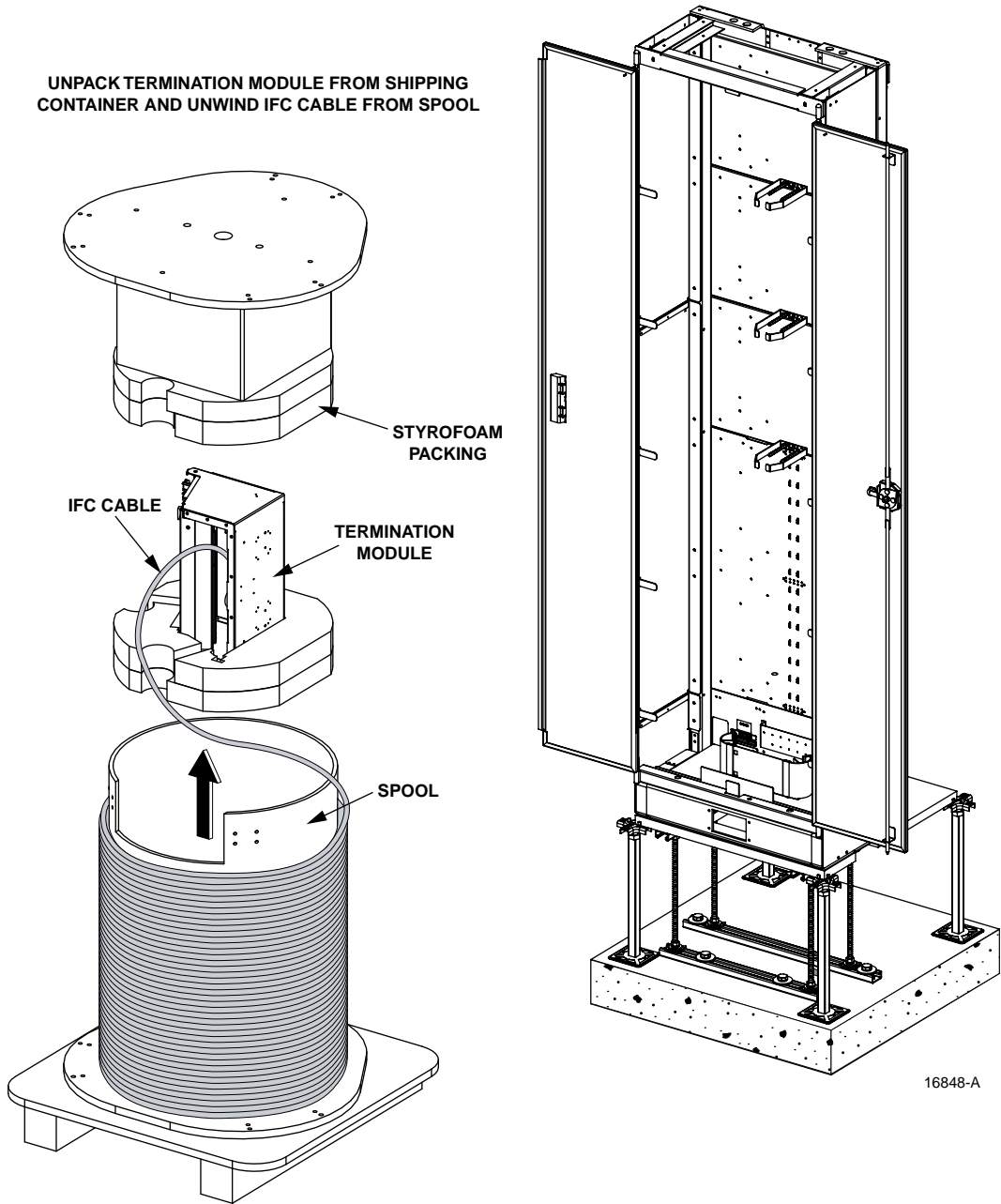


Figure 18. Termination Module With IFC Cable



### Overhead Cable Entry Environment

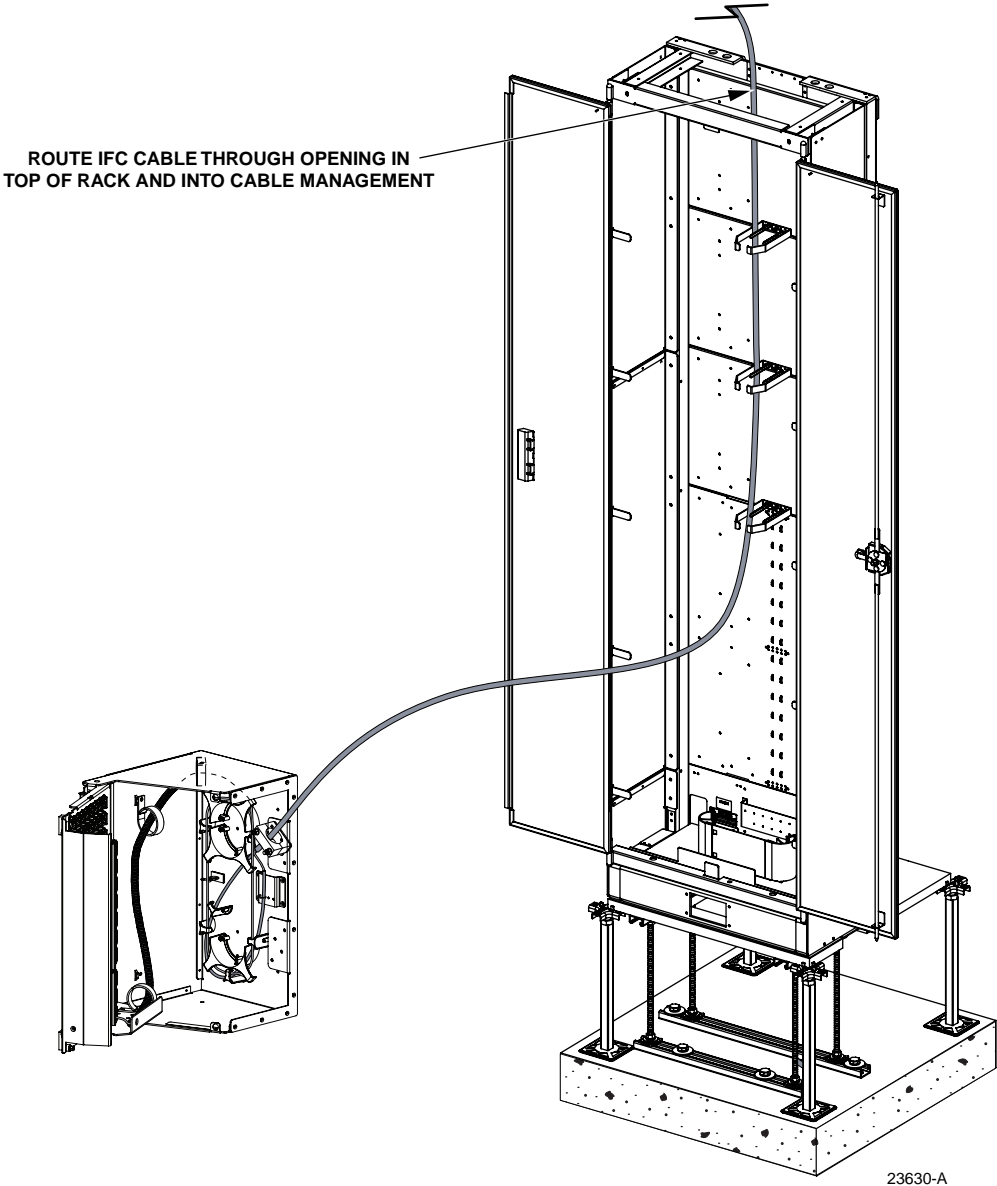


Figure 19. Overhead Cable Entry Environment

## Under Floor Cable Entry Environment

NOTE: UNDERFLOOR CABLE ENTRY ENVIRONMENT

ROUTE IFC CABLE THROUGH OPENING IN  
BASE OF RACK AND INTO CABLE MANAGEMENT

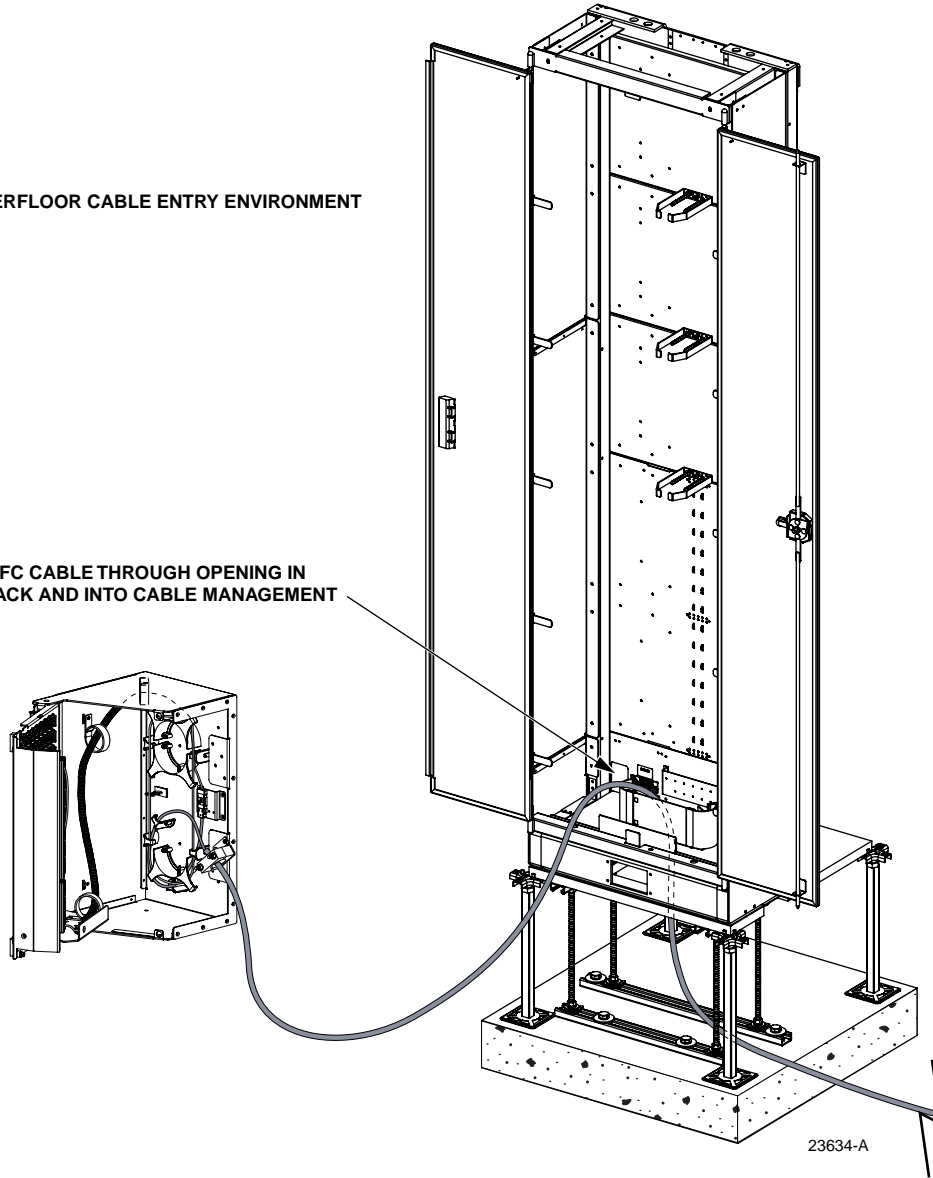


Figure 20. Under Floor Cable Entry Environment

### Secure Termination Module on Frame

► **Note:** Cable not shown, for clarity.

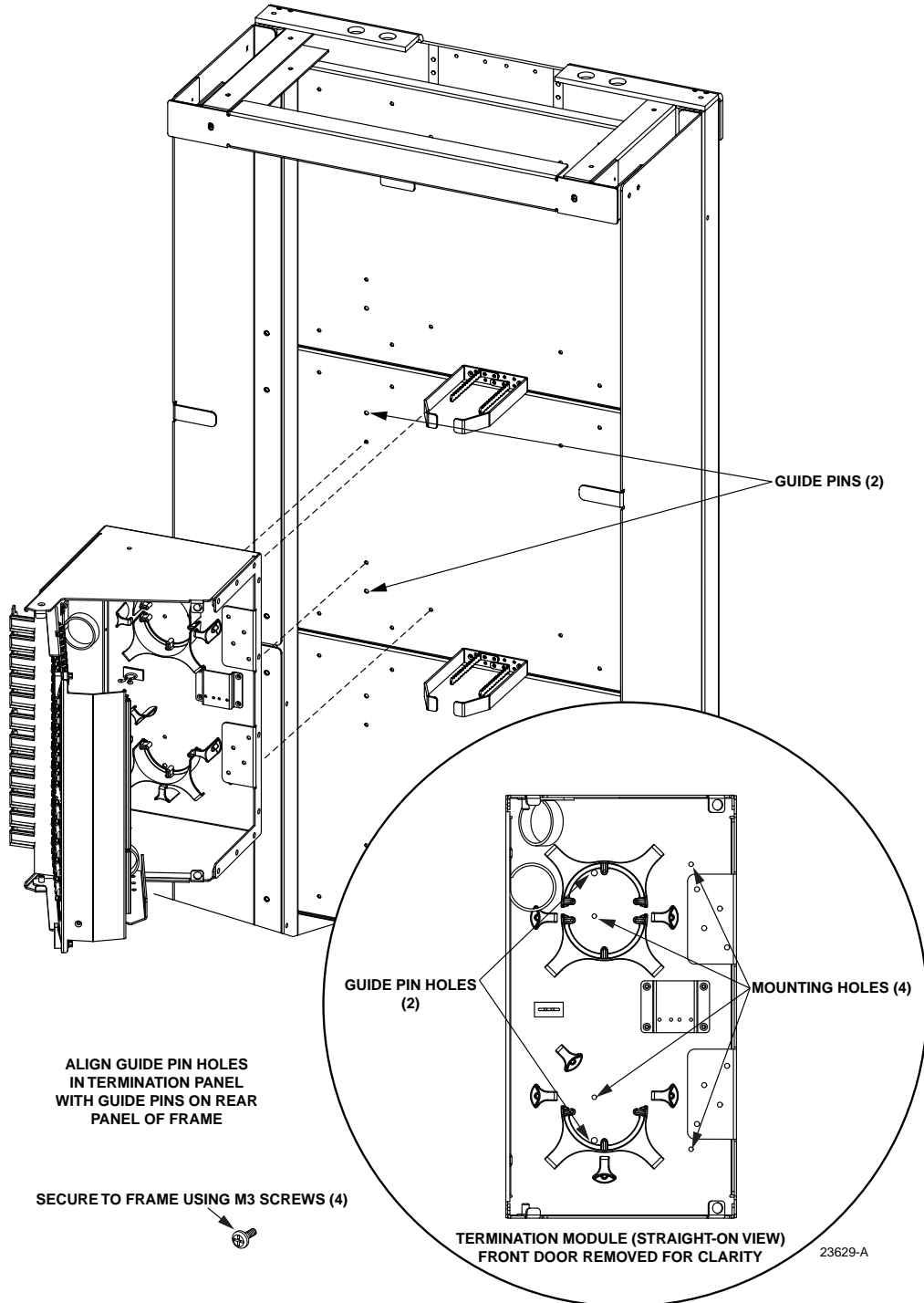
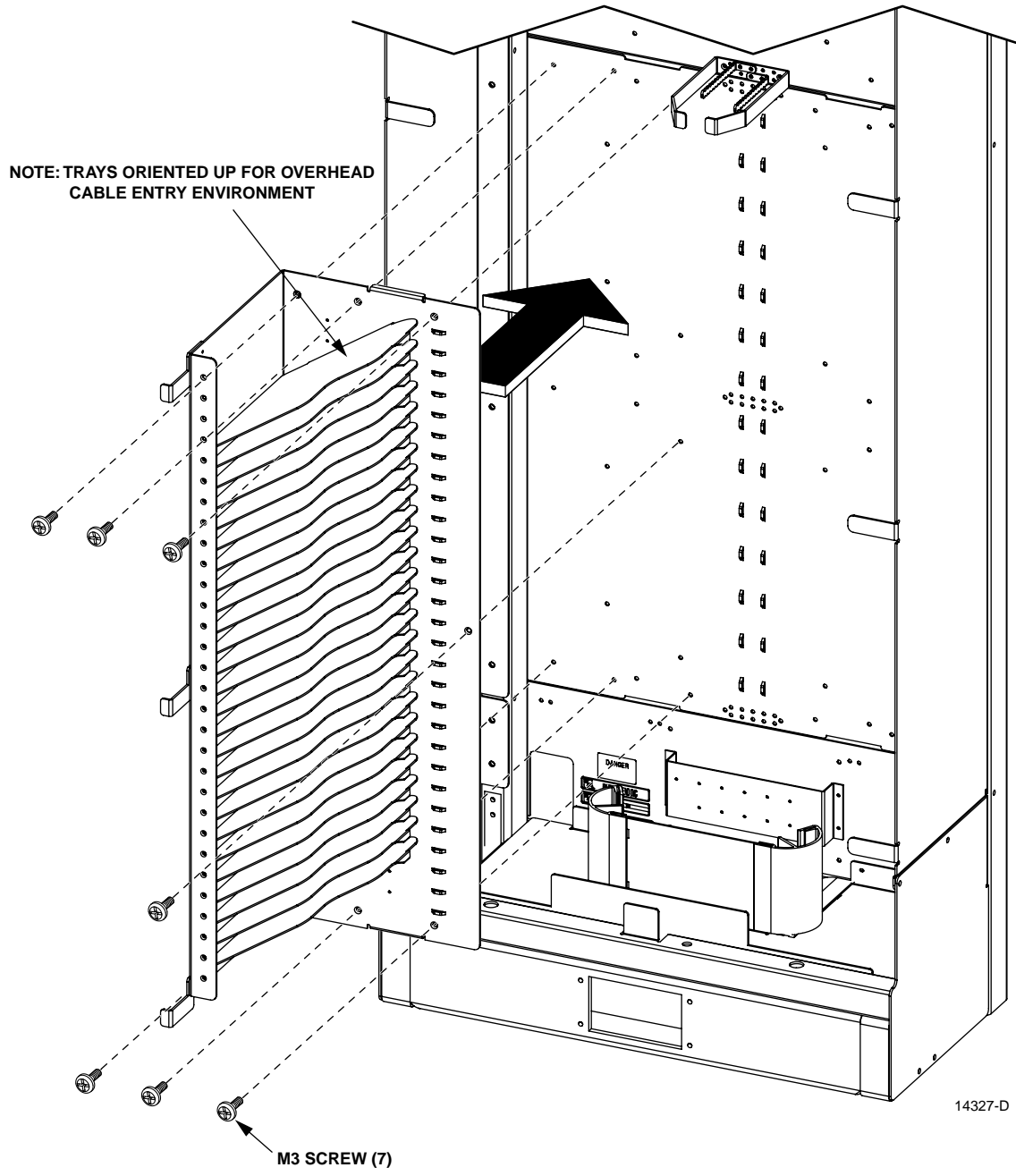


Figure 21. Secure Termination Module on Frame

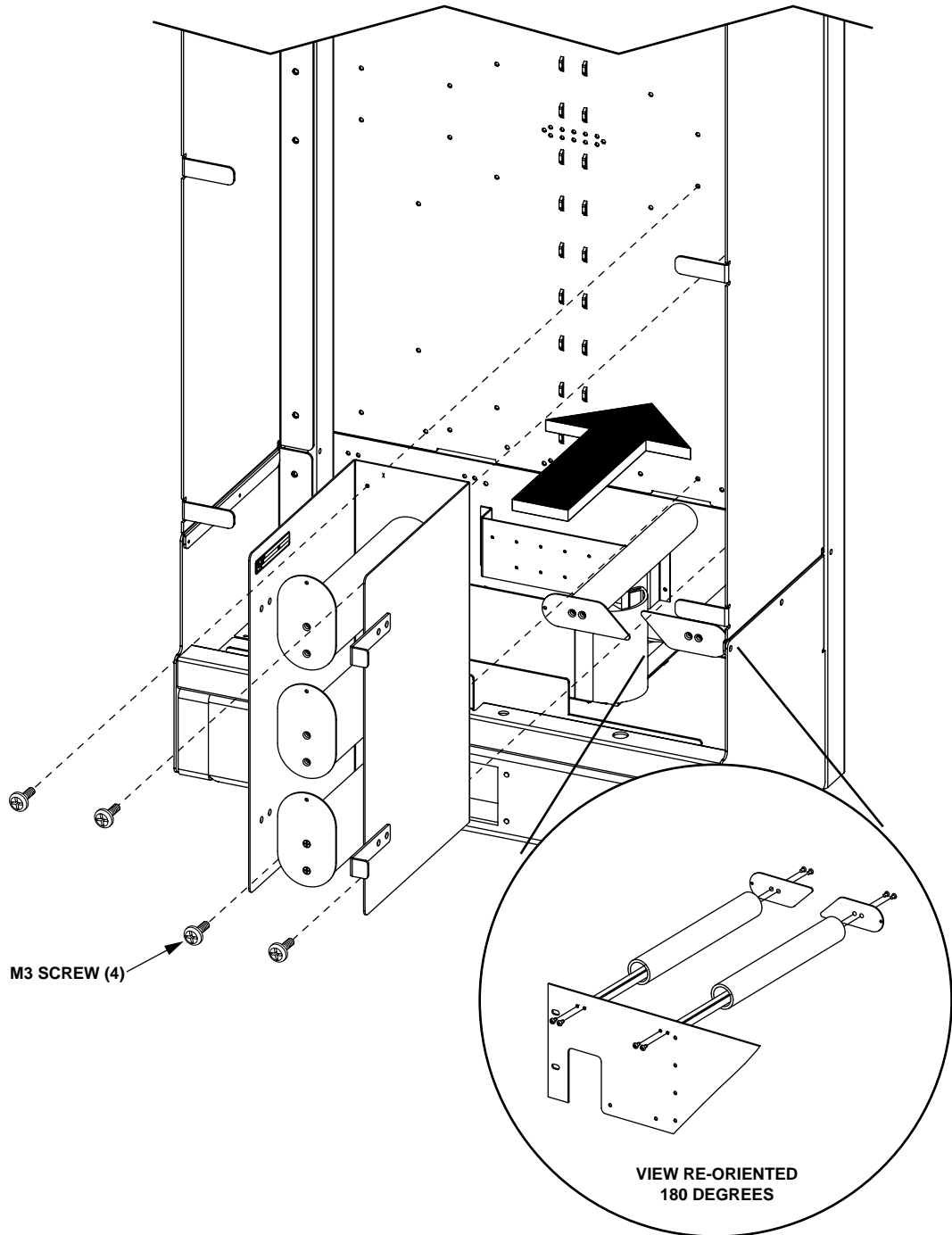
### 3.3 Splice Module



NOTE: TRAYS ARE ORIENTED DOWN FOR UNDER FLOOR CABLE ENTRY ENVIRONMENT

Figure 22. Install Splice Module (Left-Side Module Shown)

### 3.4 Jumper Storage Module



14328-C

Figure 23. Install Jumper Storage Module (Right-Side Module Shown)

### 3.5 Cable Clamp Installation

#### Overhead Cable Entry Environment

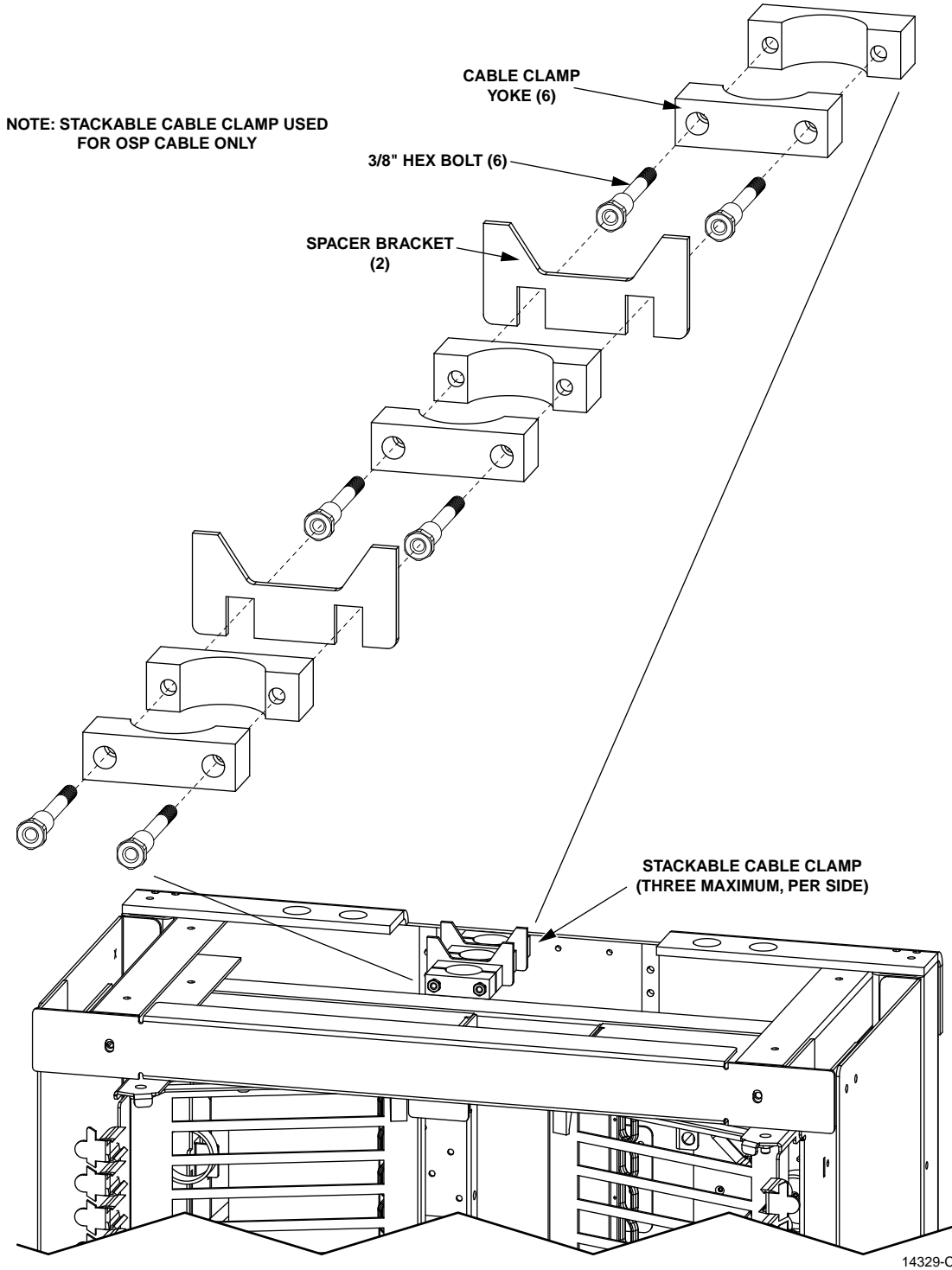
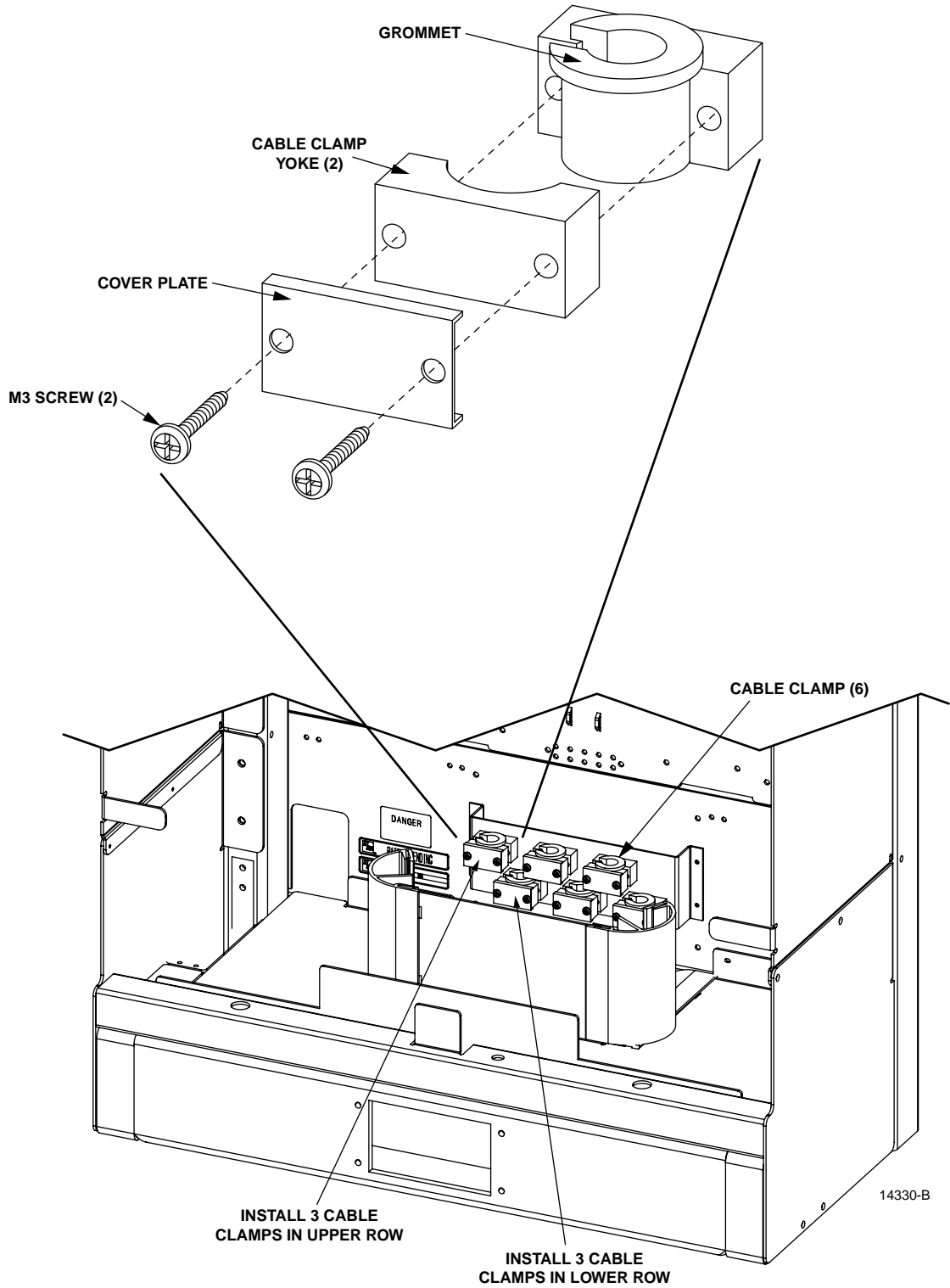


Figure 24. Stackable Cable Clamp

### Under Floor Cable Entry Environment



**Figure 25. Cable Clamp (Under Floor Cable Entry Environment)**

## 4 CABLE ROUTING

### 4.1 576 Termination, 576 Splice Configuration

#### Overhead Cable Entry Environment

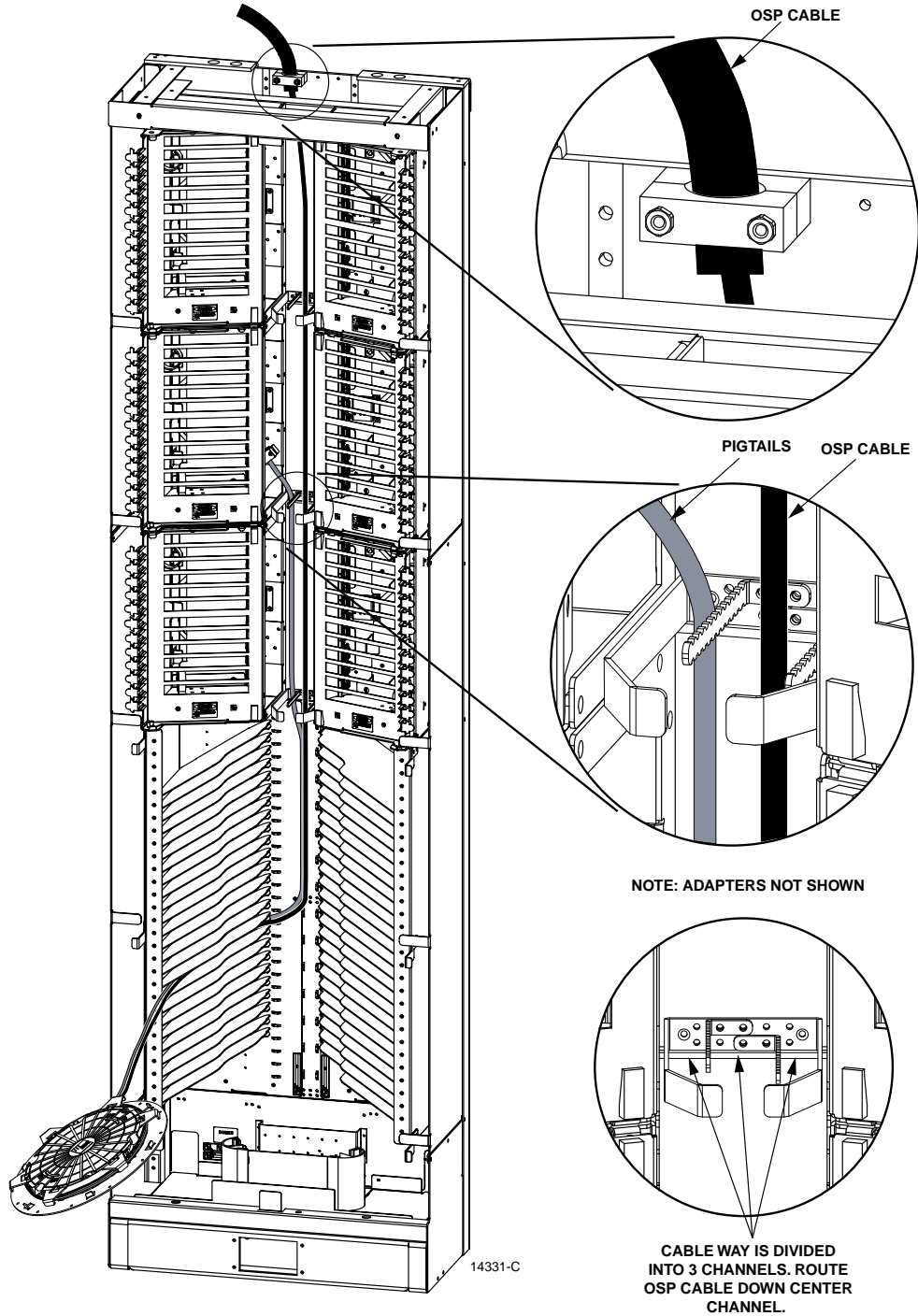


Figure 26. 576 Termination, 576 Splice Configuration



### Under Floor Cable Entry Environment

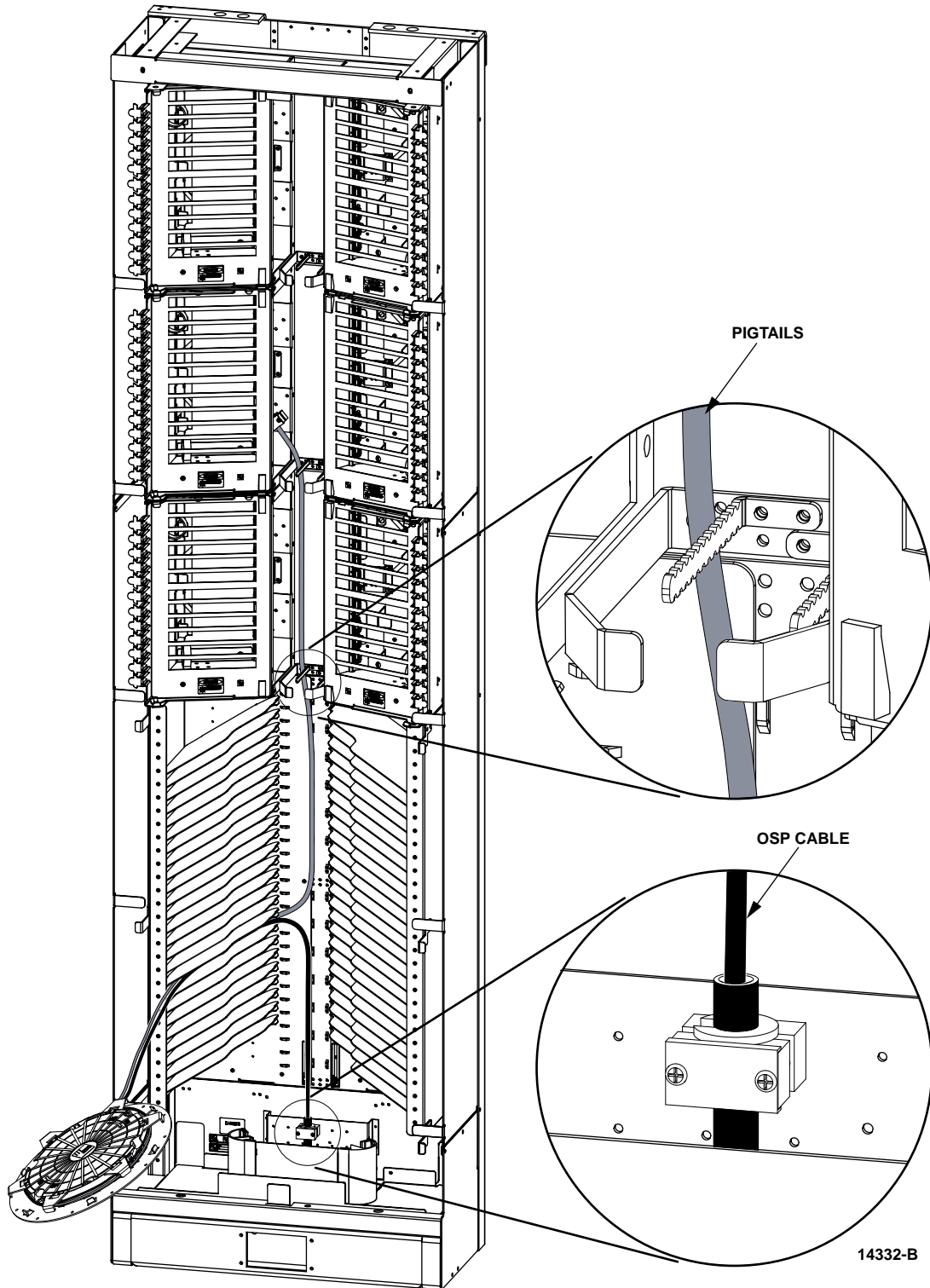


Figure 27. 576 Termination, 576 Splice Configuration

## 4.2 576 Termination, 288 Splice Configuration

### Overhead Cable Entry Environment

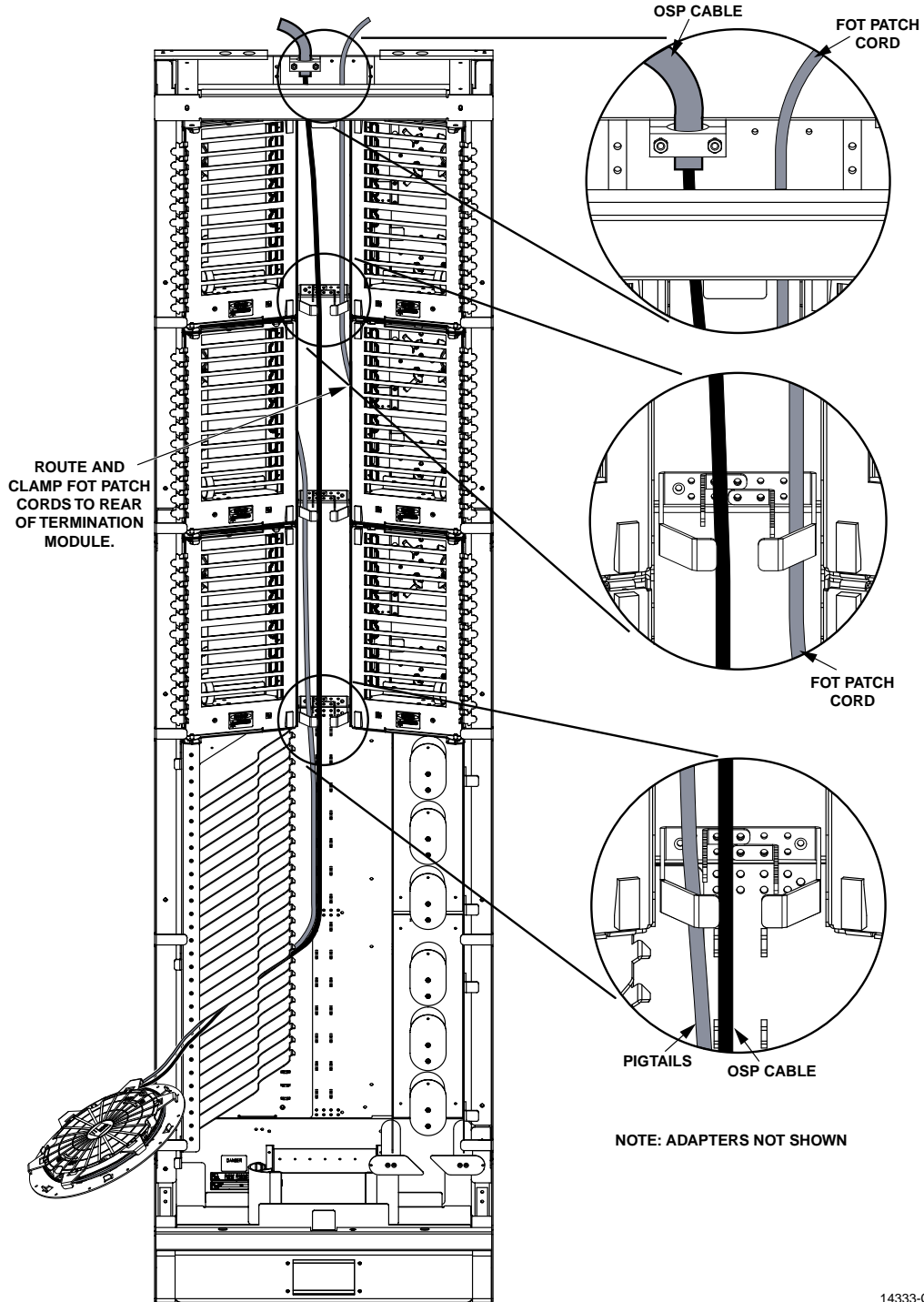


Figure 28. 576 Termination, 288 Splice Configuration

### Under Floor Cable Entry Environment

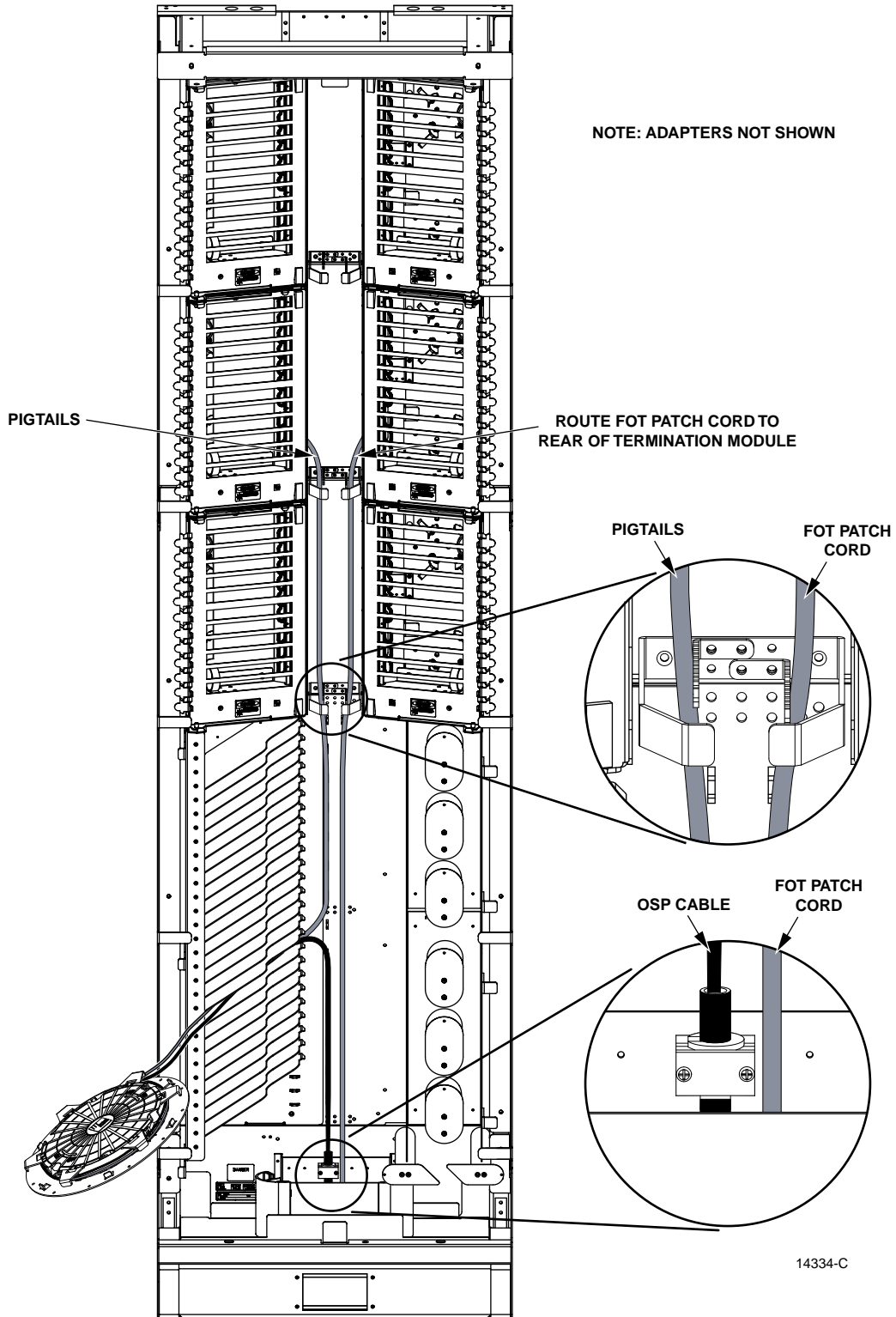


Figure 29. 576 Termination, 288 Splice Configuration

### 4.3 288 Termination, 288 Splice Configuration

#### Overhead Cable Entry Environment

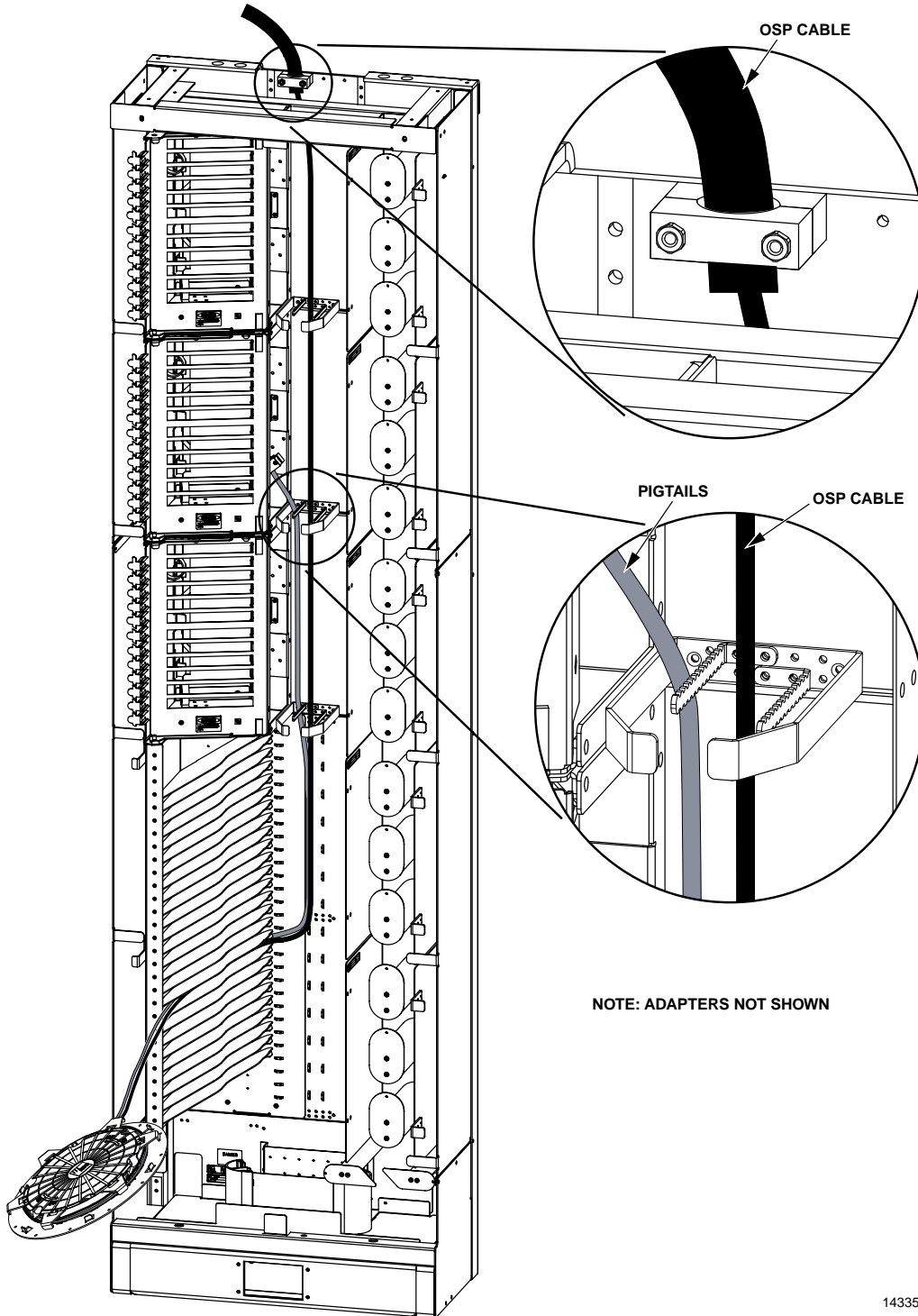


Figure 30. 288 Termination, 288 Splice Configuration

14335-C

### Under Floor Cable Entry Environment

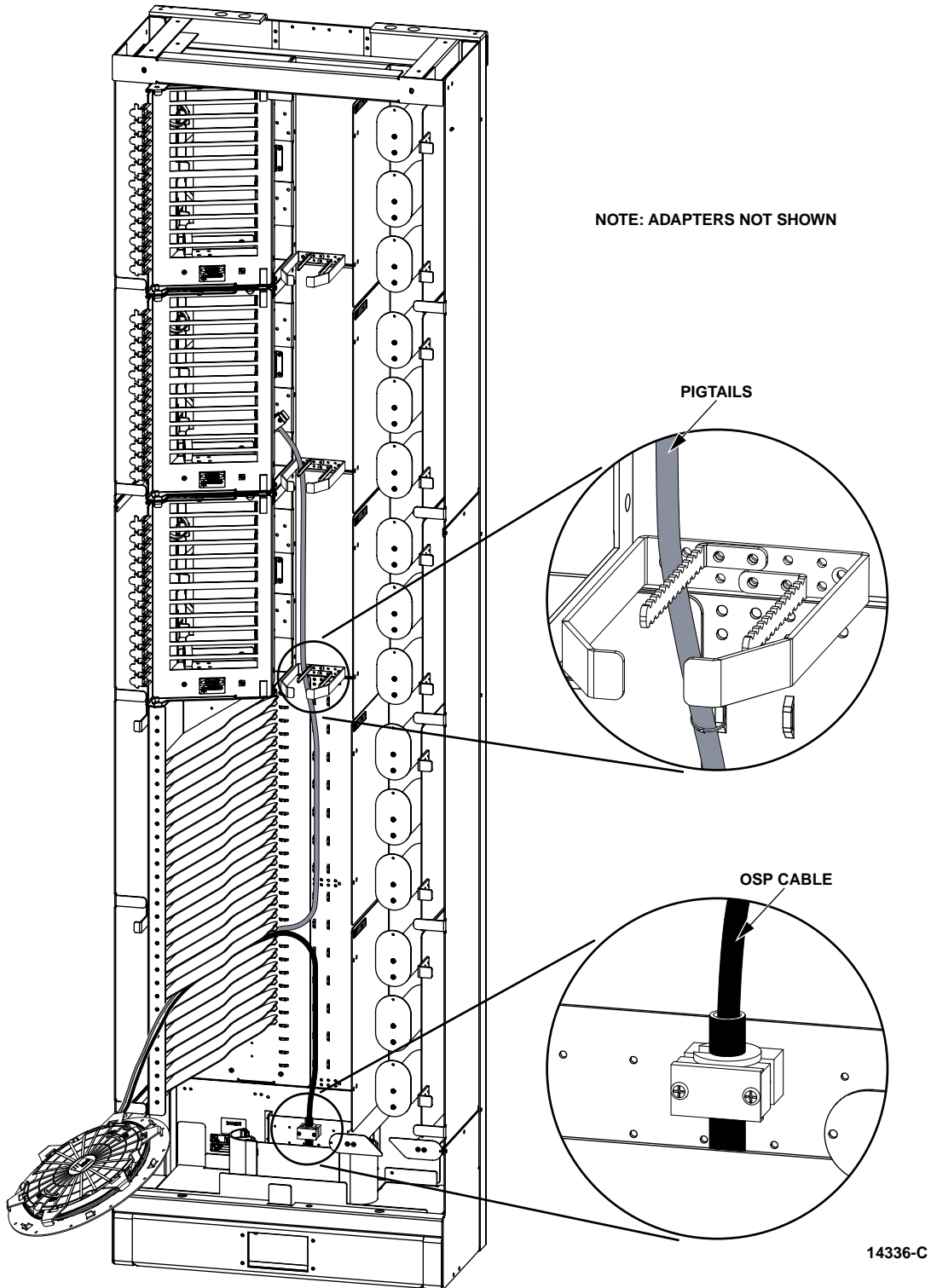


Figure 31. 288 Termination, 288 Splice Configuration

## 4.4 960 Termination Configuration

### Overhead Cable Entry Environment

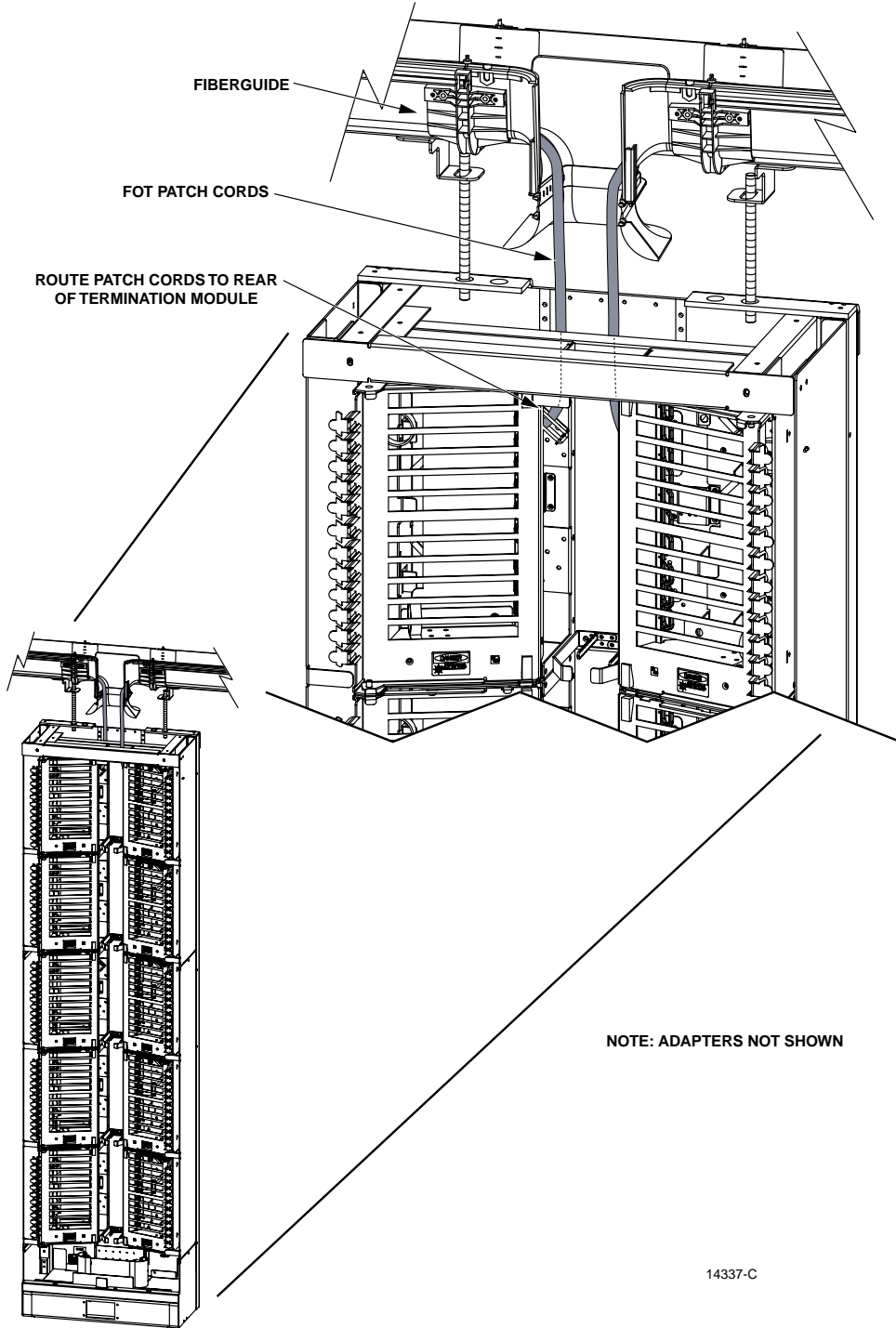
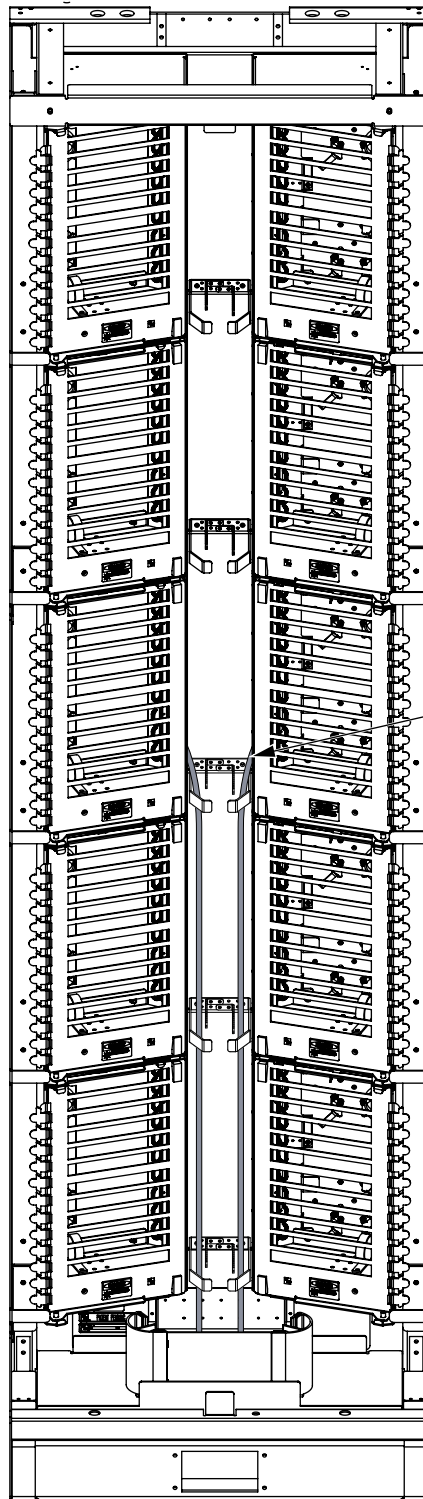


Figure 32. 960 Termination Configuration

### Under Floor Cable Entry Environment



NOTE: ADAPTERS NOT SHOWN

ROUTE FOT PATCH CORDS  
TO REAR OF TERMINATION MODULE

14338-B

Figure 33. 960 Termination Configuration

## 4.5 Termination Module Cable Routing

This section provides cable routing instructions for several types of cable configurations in a termination module. Refer to [Section 1.6 on Page 8](#) for cable clamp descriptions. [Figure 33](#) shows connector designations for the 96- and 72-position termination modules (front view). The 96-position is shown configured for 12- and 8-fiber bundles, respectively.

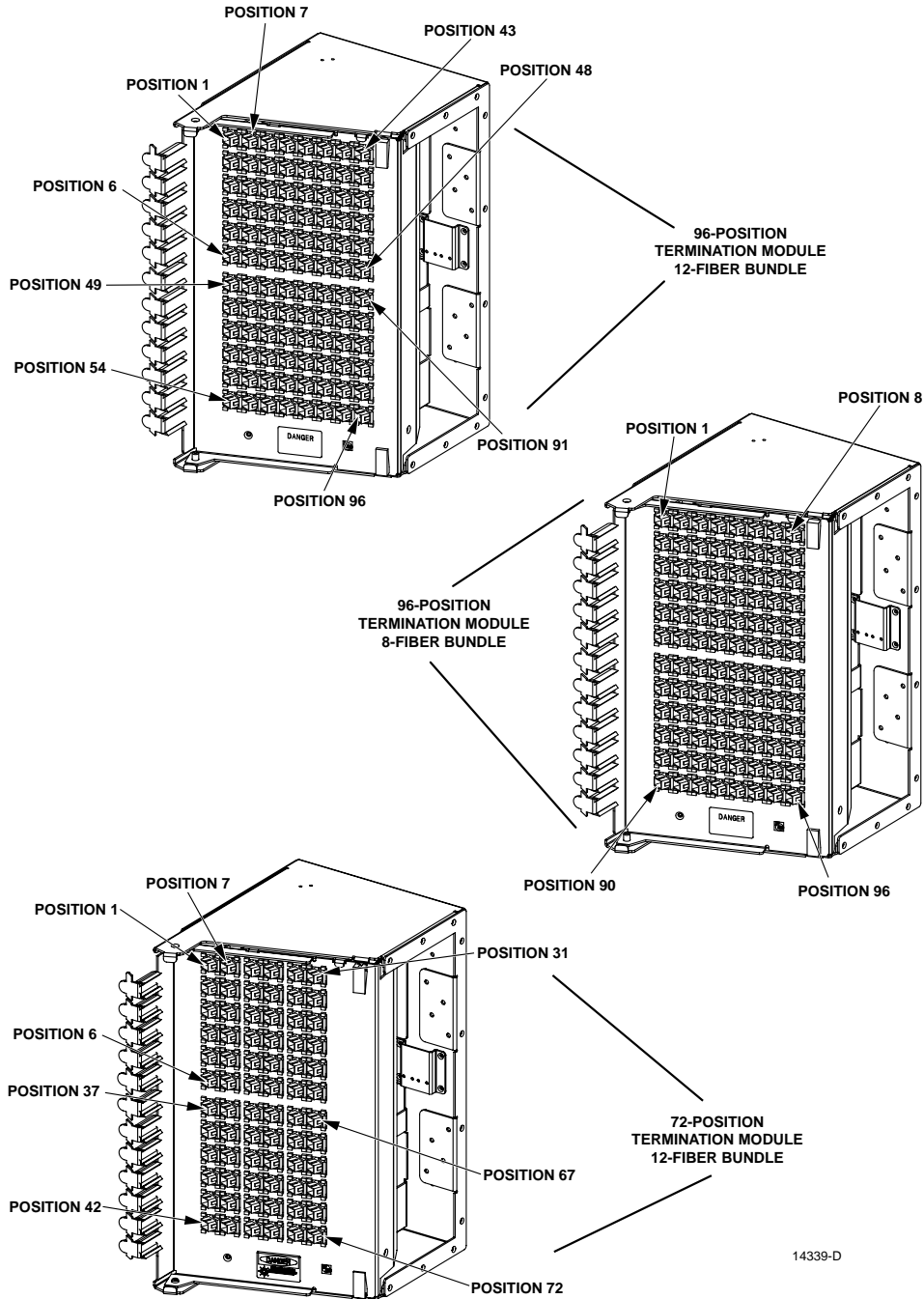


Figure 34. 96- and 72-Position Termination Module Connector Designations



### 4.5.1 Fiber Optic Terminal (FOT) Jumper Cable Routing

Figure 35 and Figure 36 show the cable routing method for routing FOT jumper cables in an overhead or under floor cable entry environment, respectively.

► **Note:** CommScope recommends the use of FOT jumper cables no larger than 2mm.

#### Overhead Cable Entry Environment

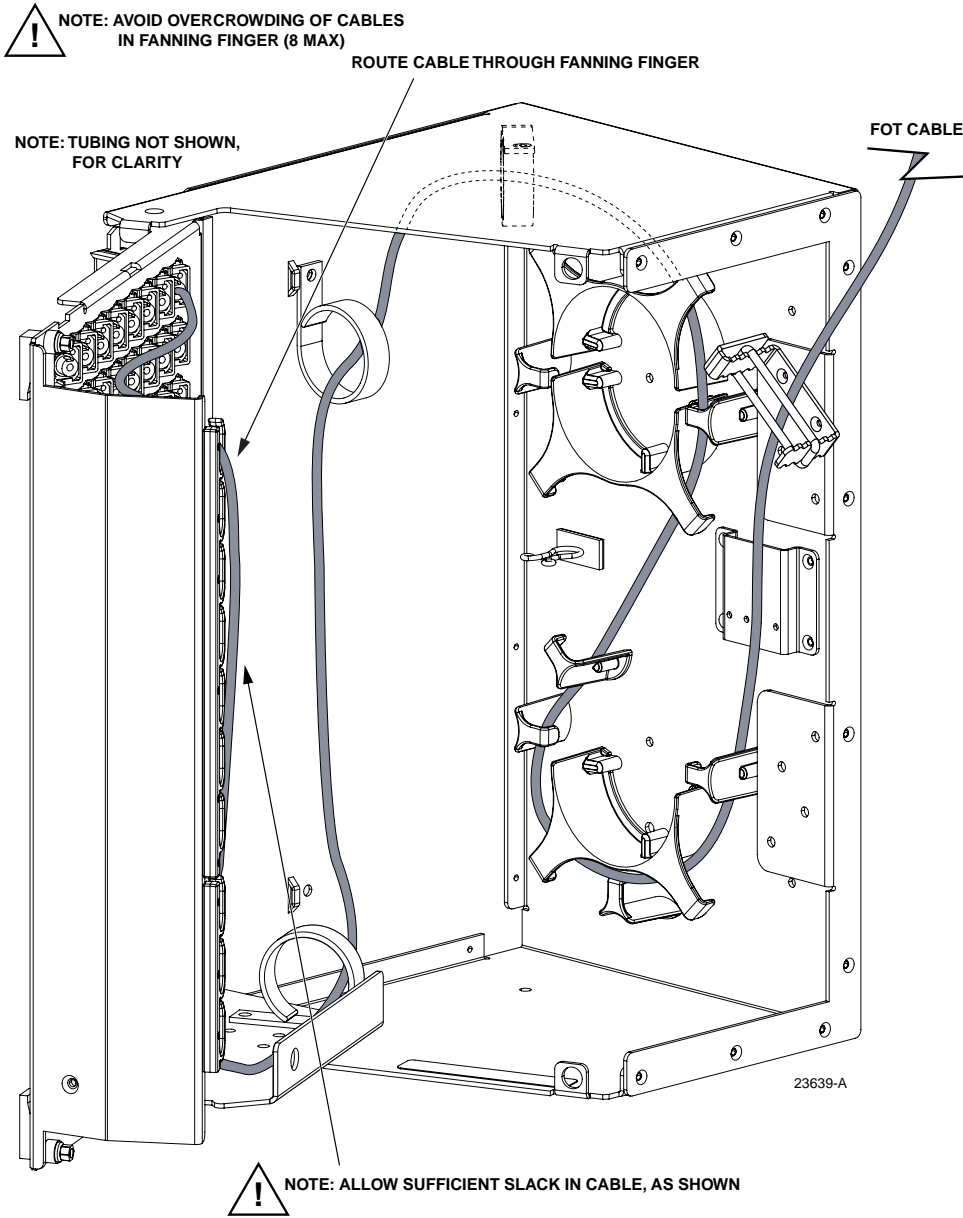
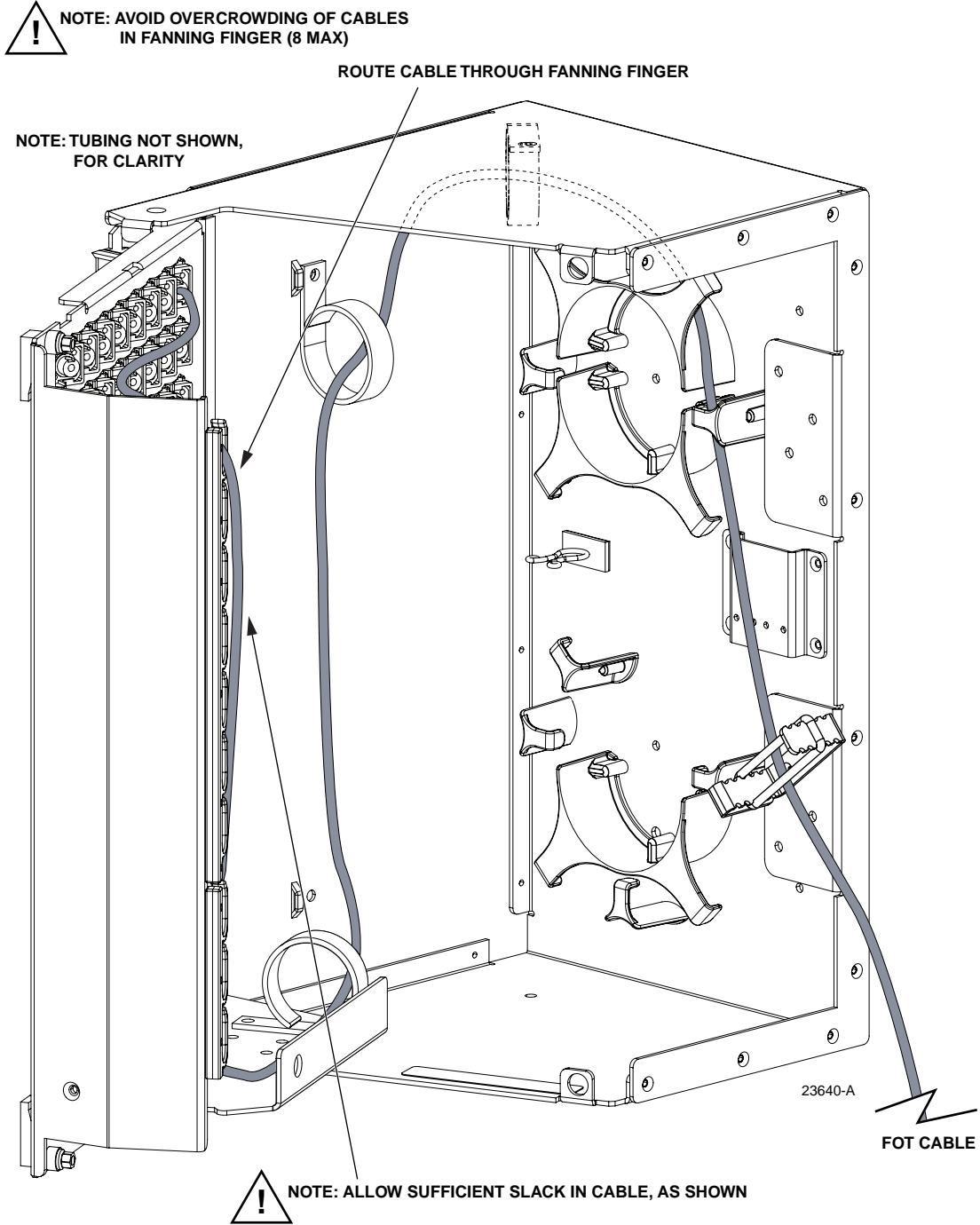


Figure 35. FOT Jumper Cable Routing

### Under Floor Cable Entry Environment

► **Note:** CommScope recommends the use of FOT jumper cables no larger than 2mm.



**Figure 36. FOT Jumper Cable Routing**

### 4.5.2 IFC Ribbon Cable

Figure 37, Figure 38, and Figure 39 show the cable routing method for IFC ribbon fiber cables in an above or below cable entry environment, respectively.

#### Overhead Cable Entry Environment (Cables Routed to Top Half of Panel)

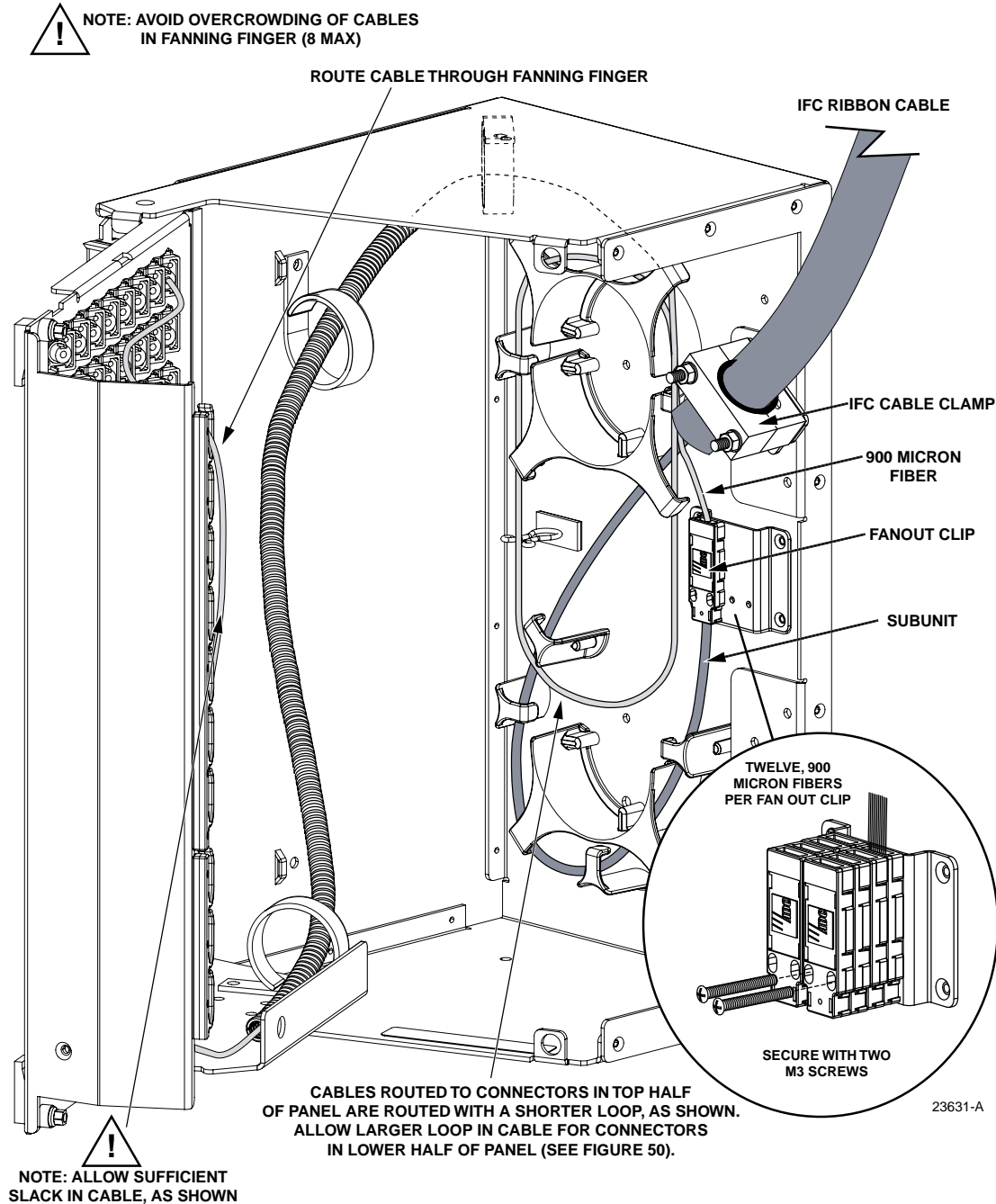


Figure 37. IFC Ribbon Cable Routing (Cables Routed to Top Half of Panel)

### Overhead Cable Entry Environment (Cables Routed to Bottom Half of Panel)

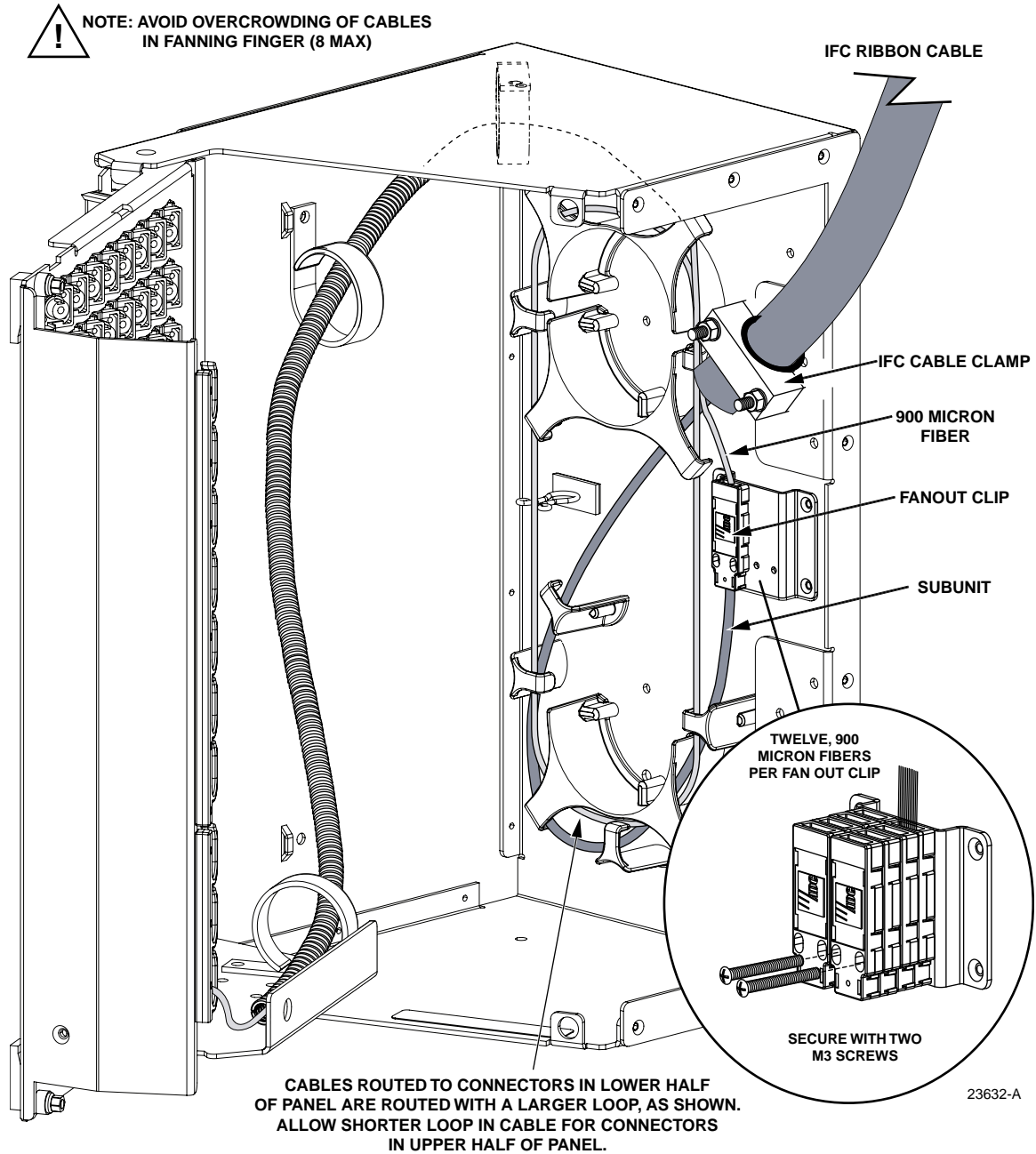
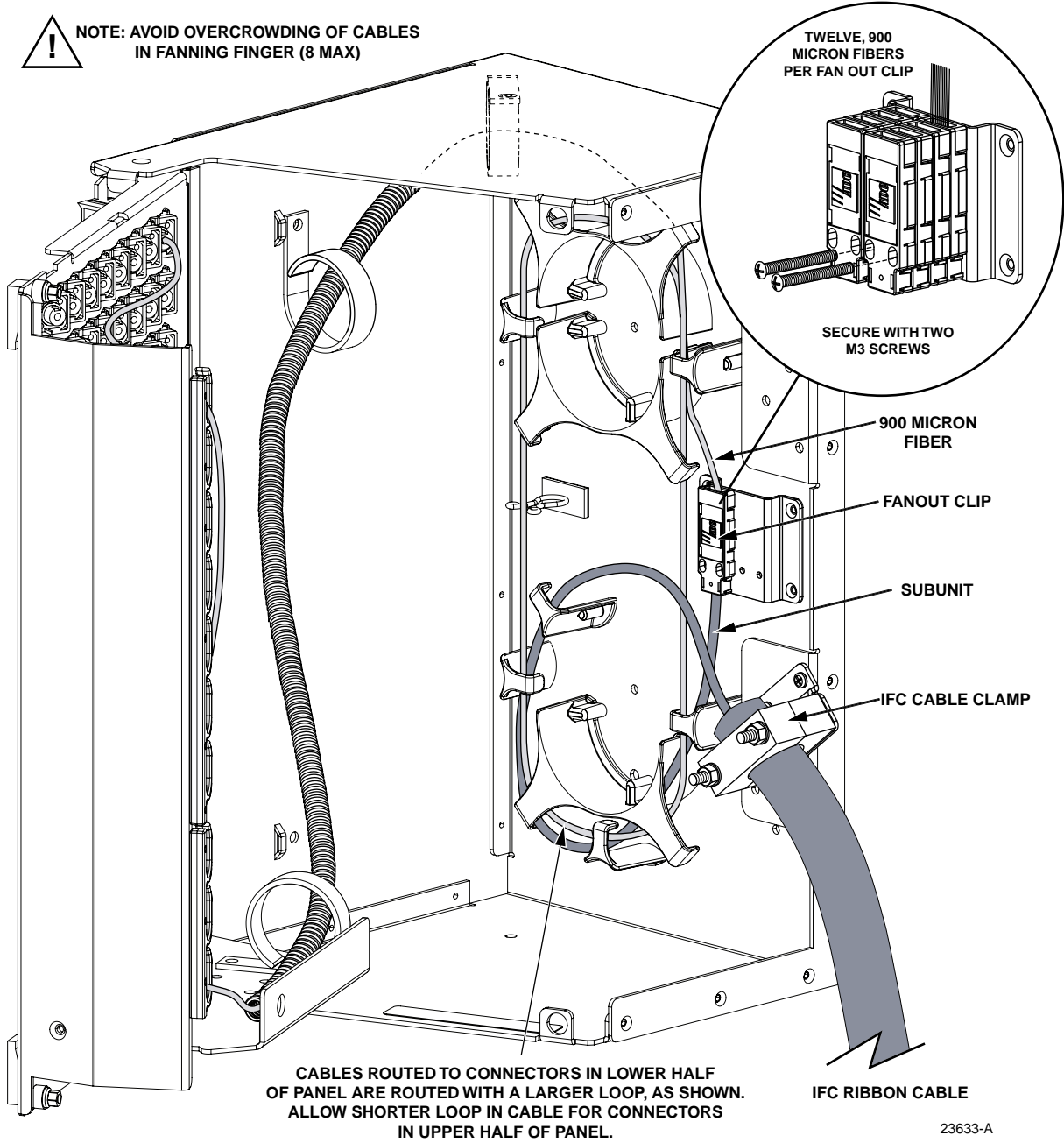


Figure 38. IFC Fiber Routing (Cables Routed to Bottom Half of Panel)

### Under Floor Cable Entry Environment

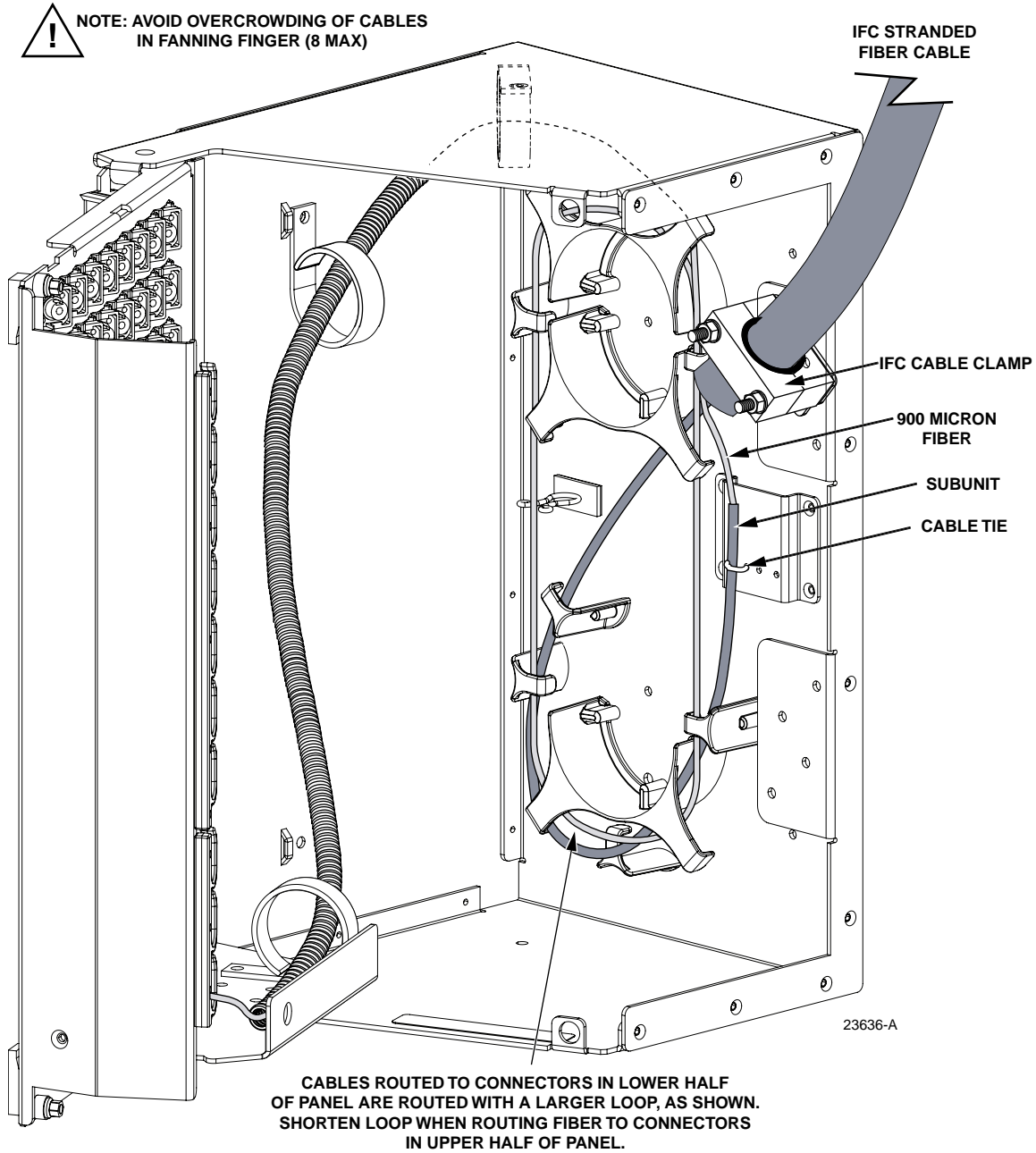


**Figure 39. IFC Ribbon Cable (Under Floor Cable Entry Environment)**

### 4.5.3 IFC Stranded Fiber Cable

Figure 40 and Figure 41 show the cable routing method for IFC stranded fiber cables in an above or below cable entry environment, respectively.

#### Overhead Cable Entry Environment

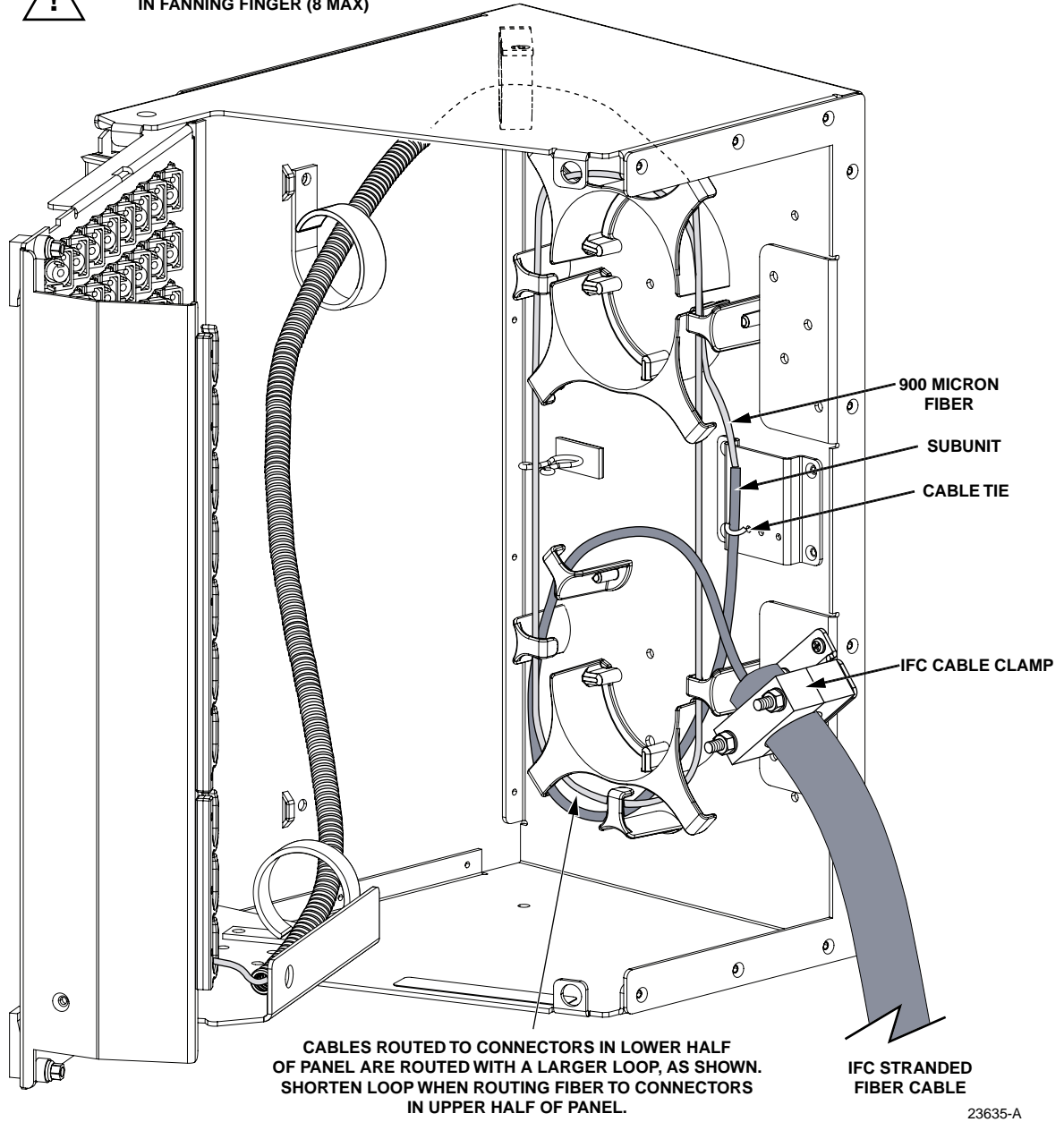


**Figure 40. IFC Stranded Fiber Routing (Overhead Cable Entry Environment)**

### Under Floor Cable Entry Environment



**NOTE: AVOID OVERCROWDING OF CABLES  
IN FANNING FINGER (8 MAX)**



**Figure 41. IFC Stranded Fiber Routing (Under Floor Cable Entry Environment)**

#### 4.5.4 12-Fiber IFC Pigtails With Oval Tubes

Figure 42 shows the cable routing method for 12-fiber ribbon IFC pigtails with oval tubes. An oval tube is placed over each 12-fiber ribbon. The oval tube protects the ribbon fibers between the splice tray panel and the termination module.

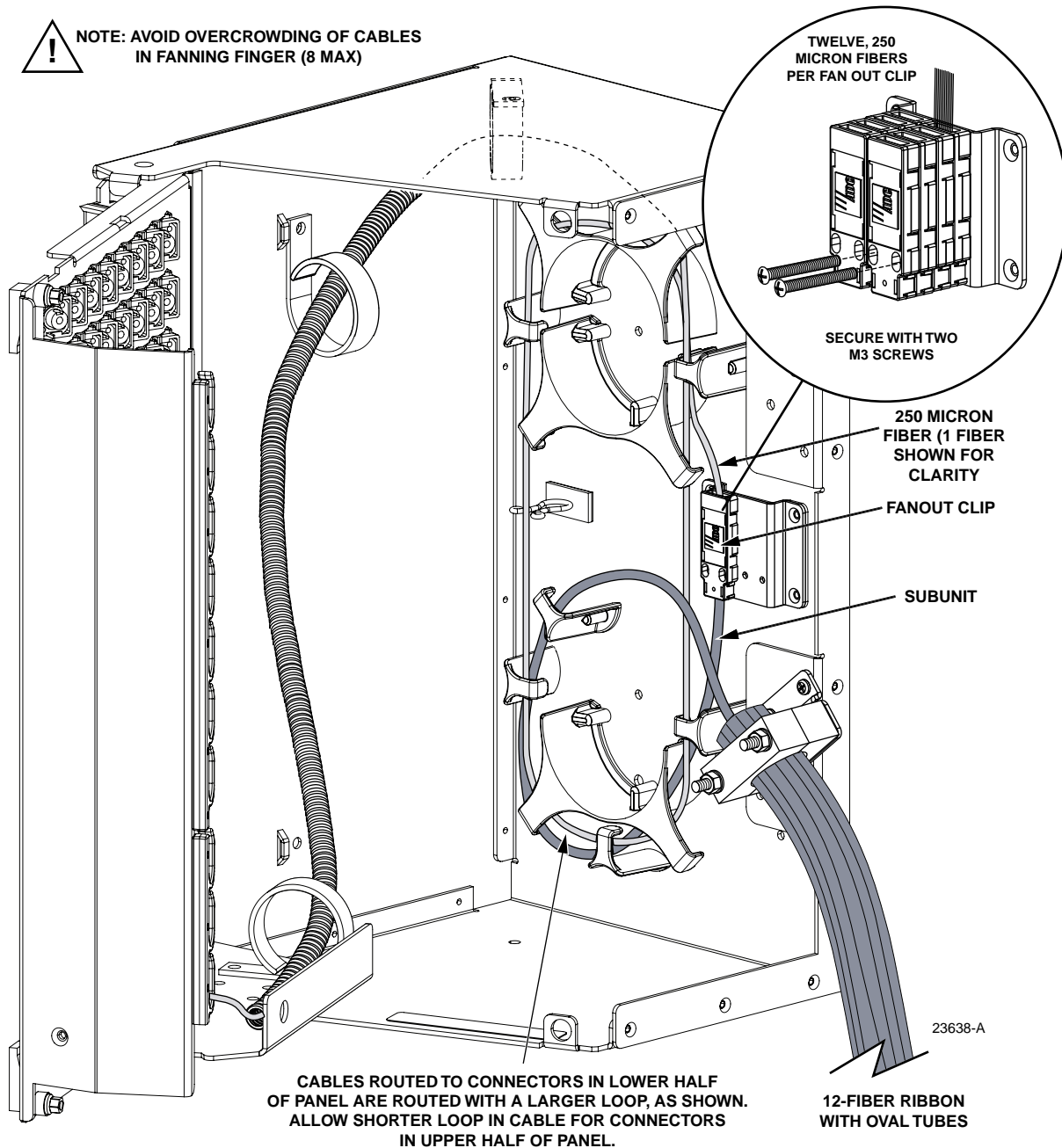


Figure 42. 12-Fiber IFC Pigtails With Oval Tubes



### 4.5.5 12-Fiber Pigtails

Figure 43 shows the cable routing procedure for 12-fiber pigtails.

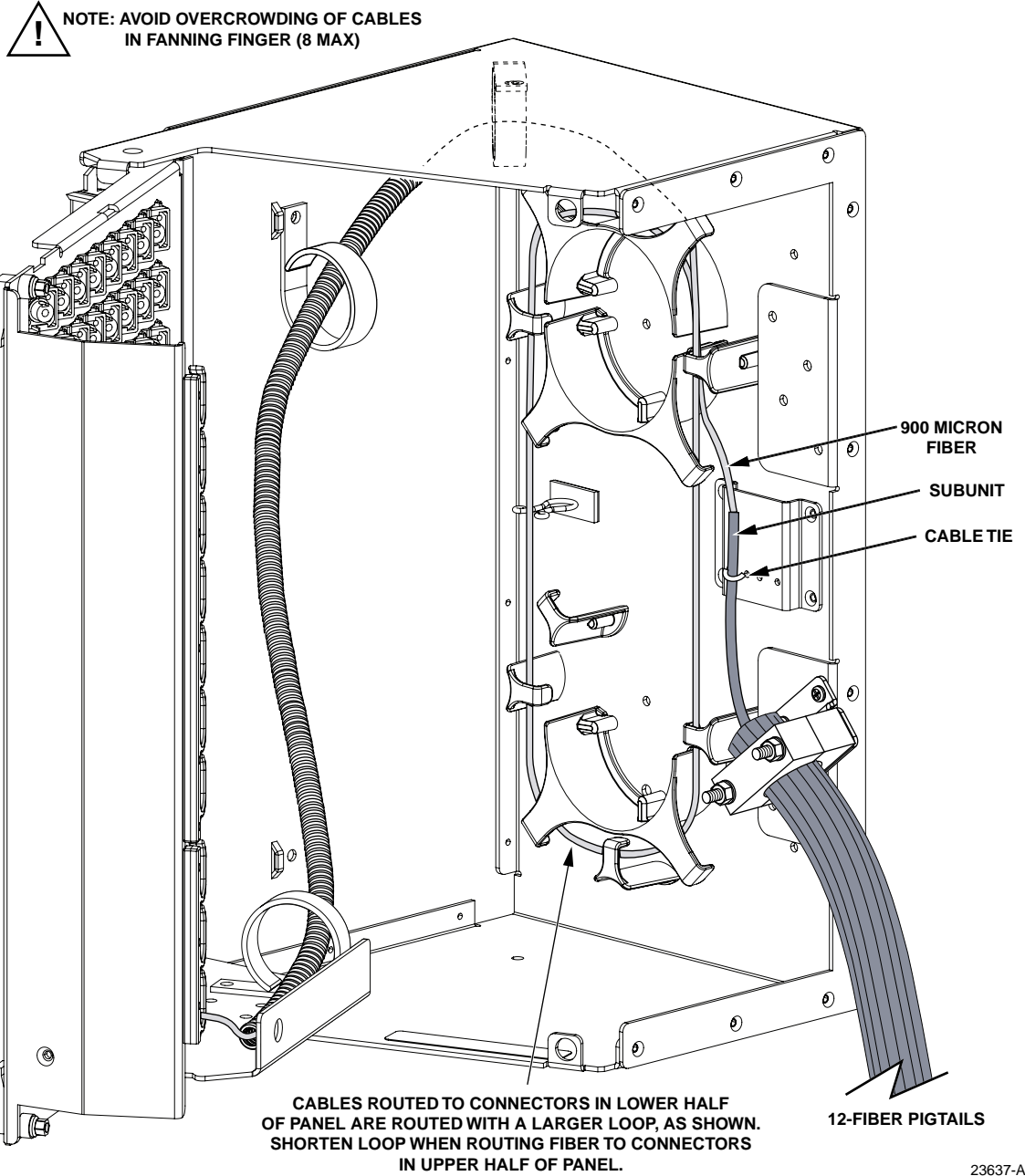


Figure 43. 12-Fiber Pigtails

## 5 JUMPER CABLE ROUTING

This section provides jumper cable routing instructions for cross-connect and interconnect configurations (overhead and under floor cable entry environments) in single and multiple bay lineups. Refer to [Table 1](#) for jumper cable length.

**Table 1. Jumper Cable Length**

<b>NUMBER OF BAYS (CABLE TROUGHS)</b>	<b>JUMPER CABLE LENGTH (M)</b>
1	6
2	7
3	7
4	8
5	8

## 5.1 Cross-Connect Jumper Cable Routing

Figure 44, Figure 45, and Figure 46 show the procedure for routing cross-connect jumper cables in an OMX bay.

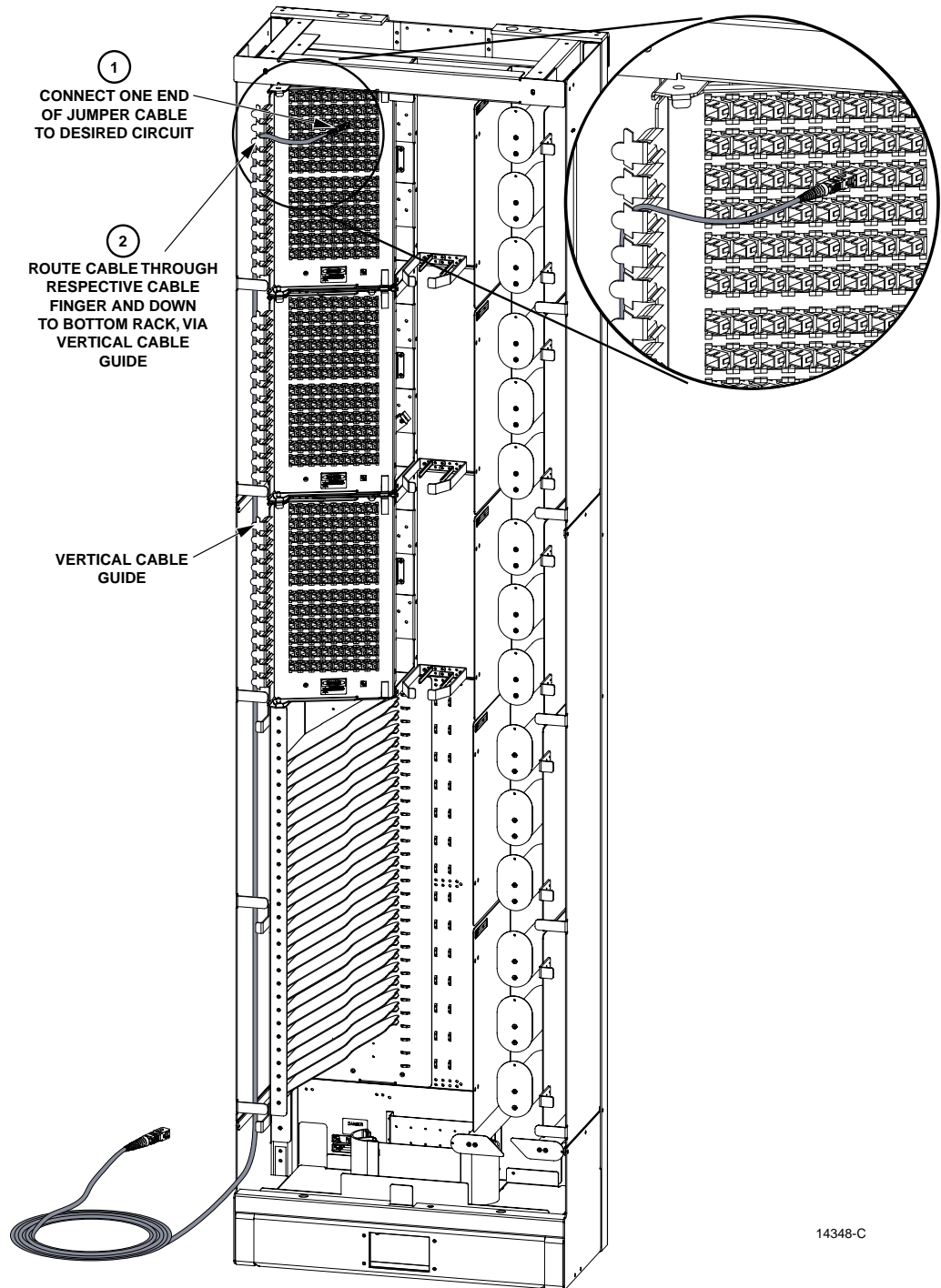


Figure 44. Cross-Connect Jumper Cable Routing (Steps 1 and 2)

### Cross-Connect Jumper Cable Routing, Continued (Steps 3 and 4)

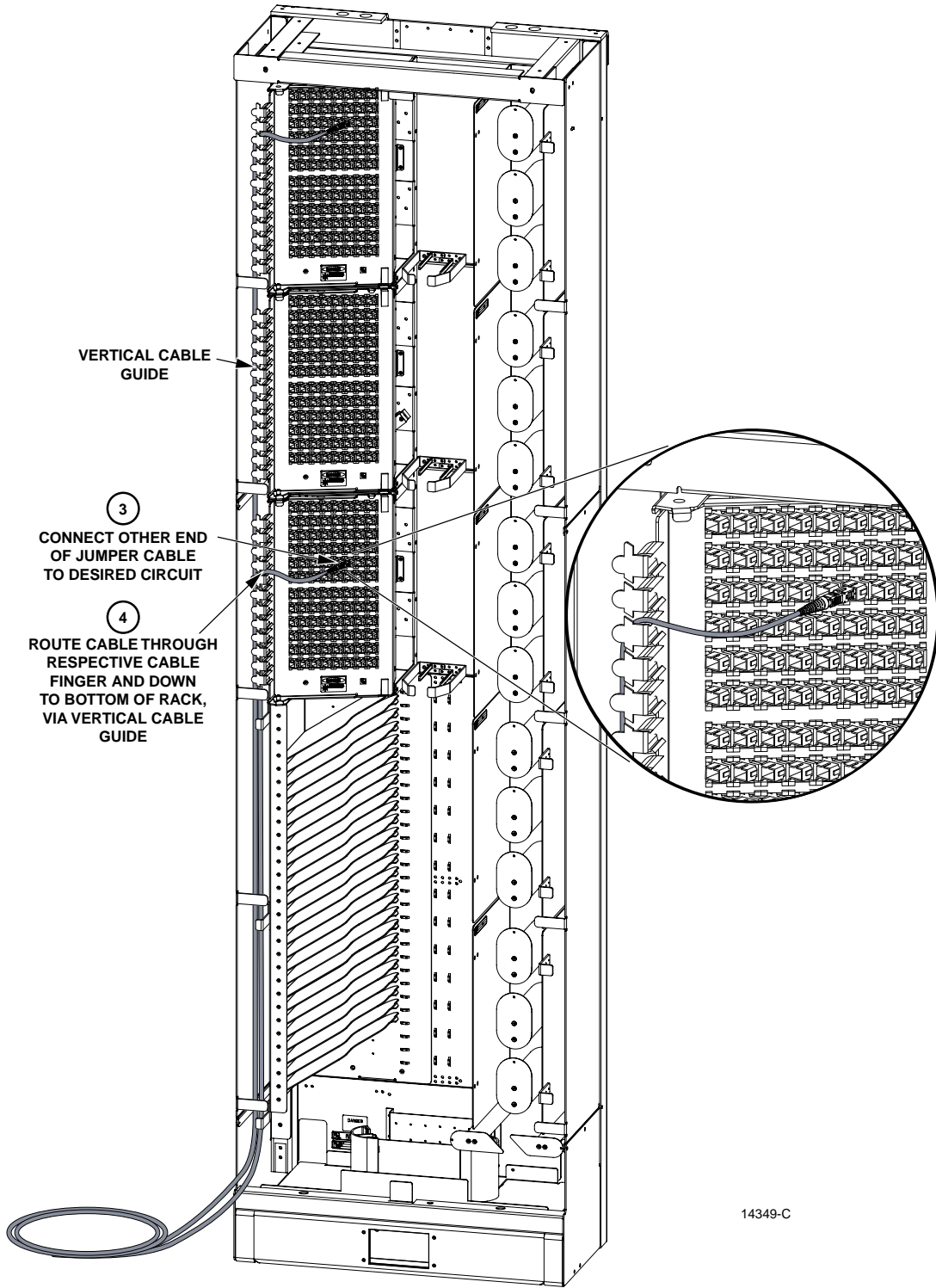


Figure 45. Cross-Connect Jumper Cable Routing (Steps 3 and 4)

### Cross-Connect Jumper Cable Routing, Continued (Step 5)

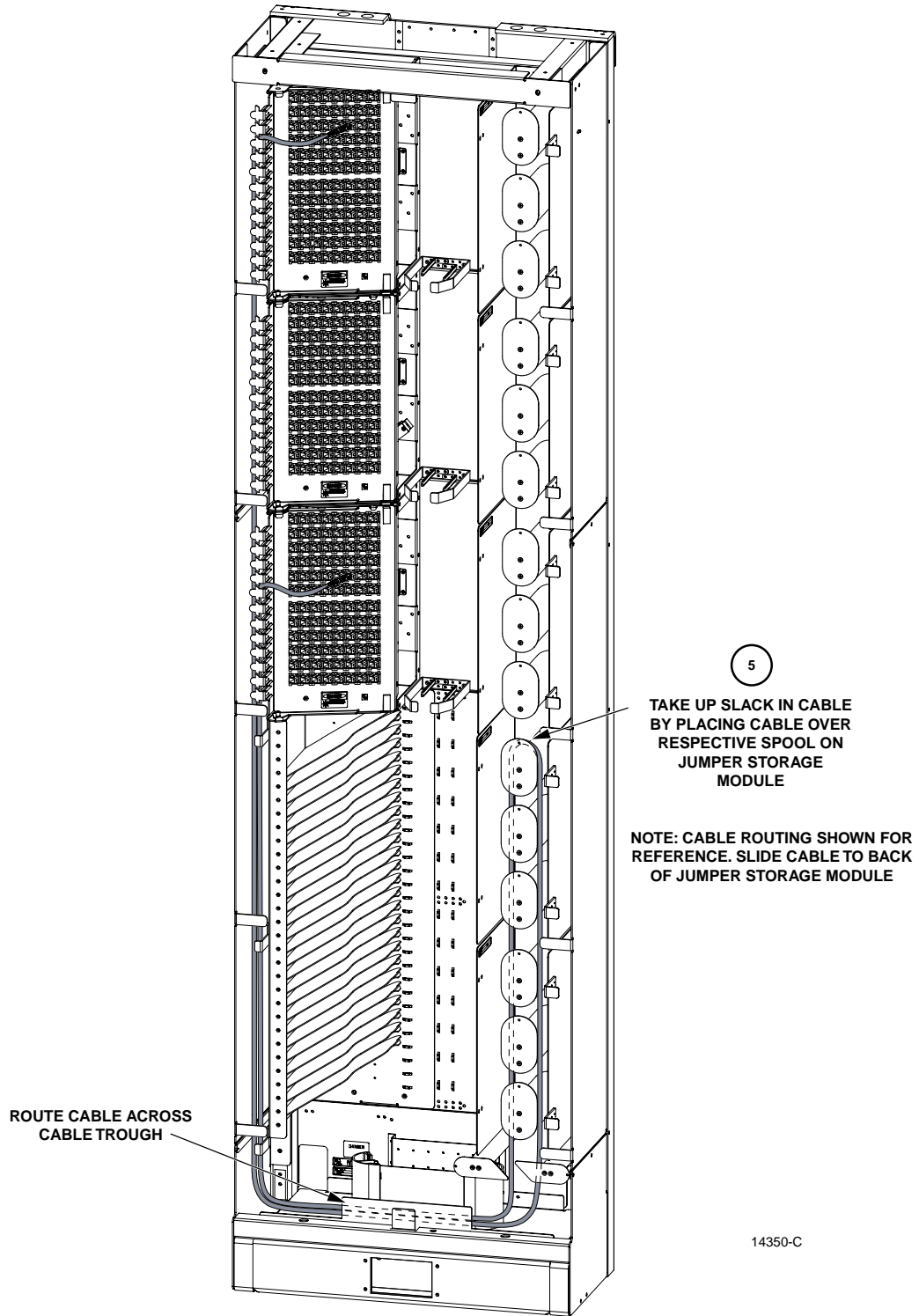
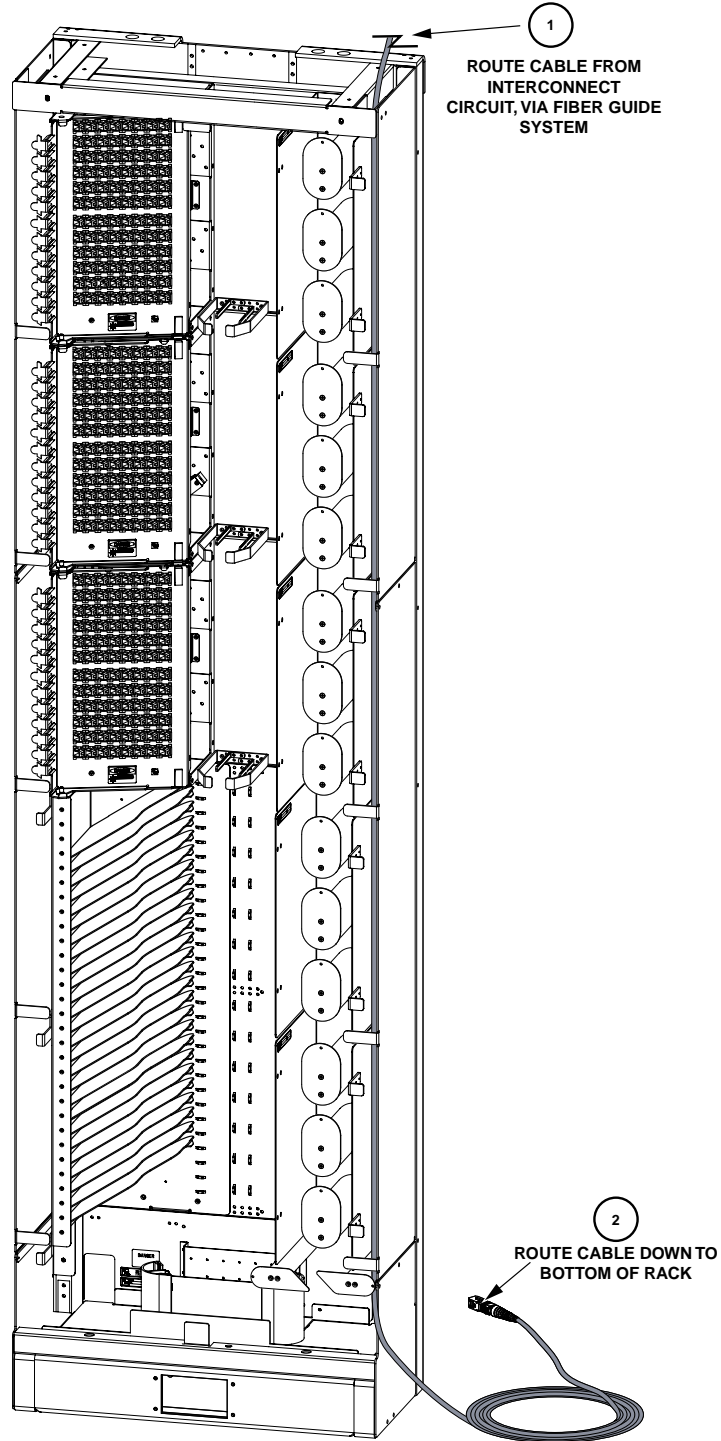


Figure 46. Cross-Connect Jumper Cable Routing (Step 5)

## 5.2 Interconnect Jumper Cable Routing

### 5.2.1 Overhead Cable Entry Environment (Steps 1 and 2)



14351-D

Figure 47. Interconnect Jumper Cable Routing (Steps 1 and 2)

### Overhead Cable Entry Environment, Continued (Step 3)

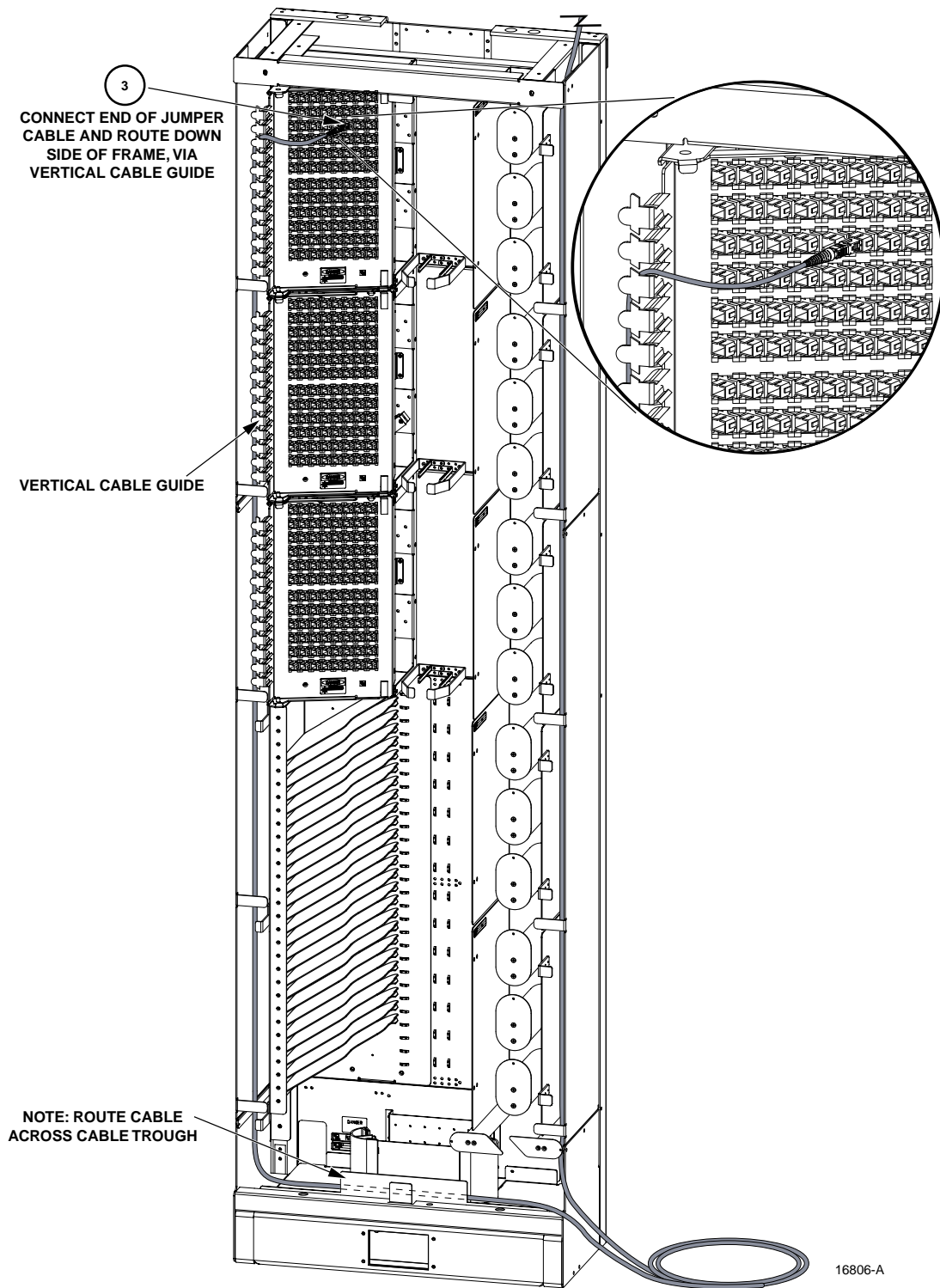
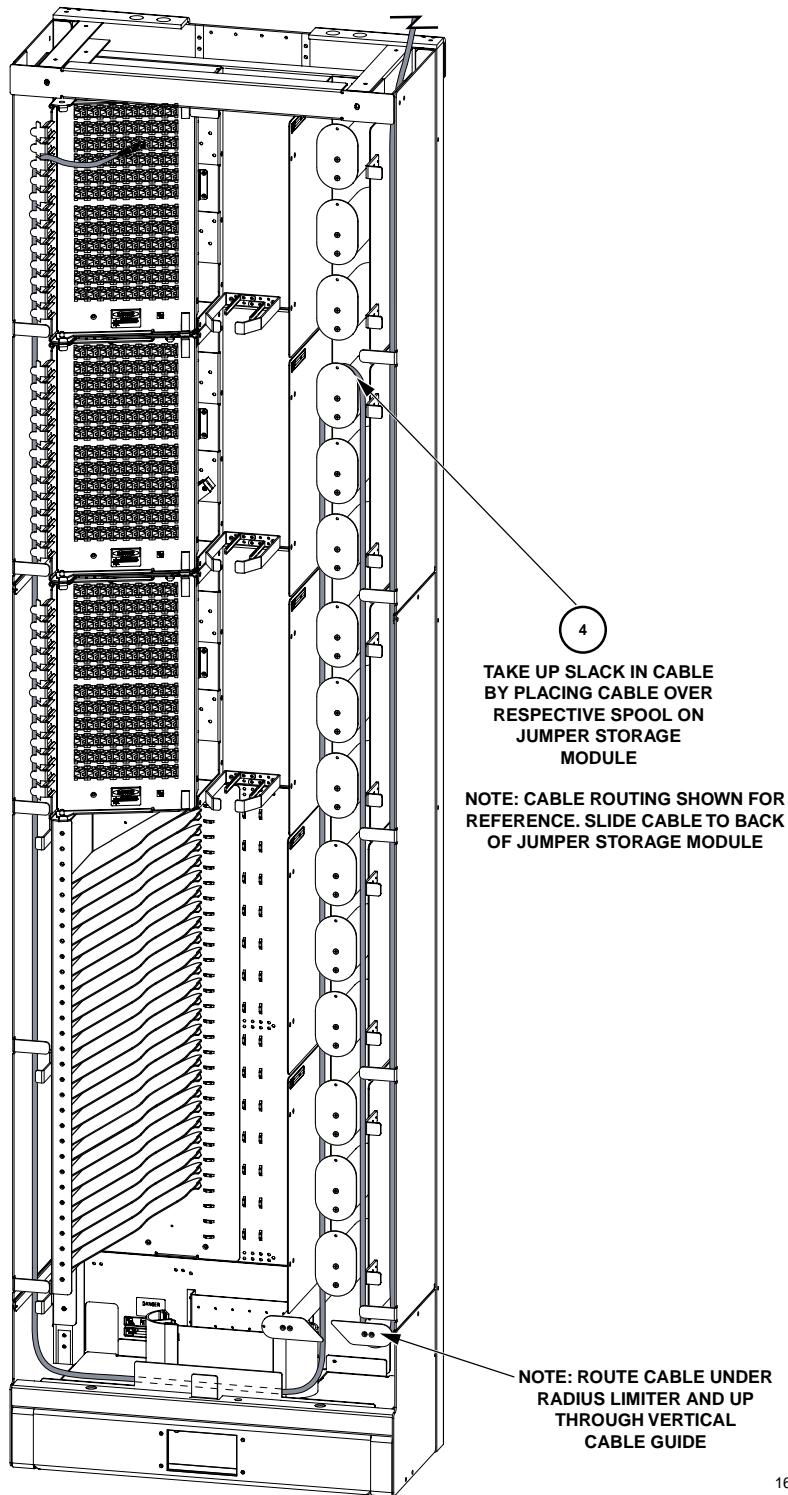


Figure 48. Interconnect Jumper Cable Routing (Step 3)

### Overhead Cable Entry Environment, Continued (Steps 4 and 5)



16807-A

Figure 49. Interconnect Jumper Cable Routing (Steps 4 and 5)



### 5.2.2 Under Floor Cable Entry Environment (Option 1)

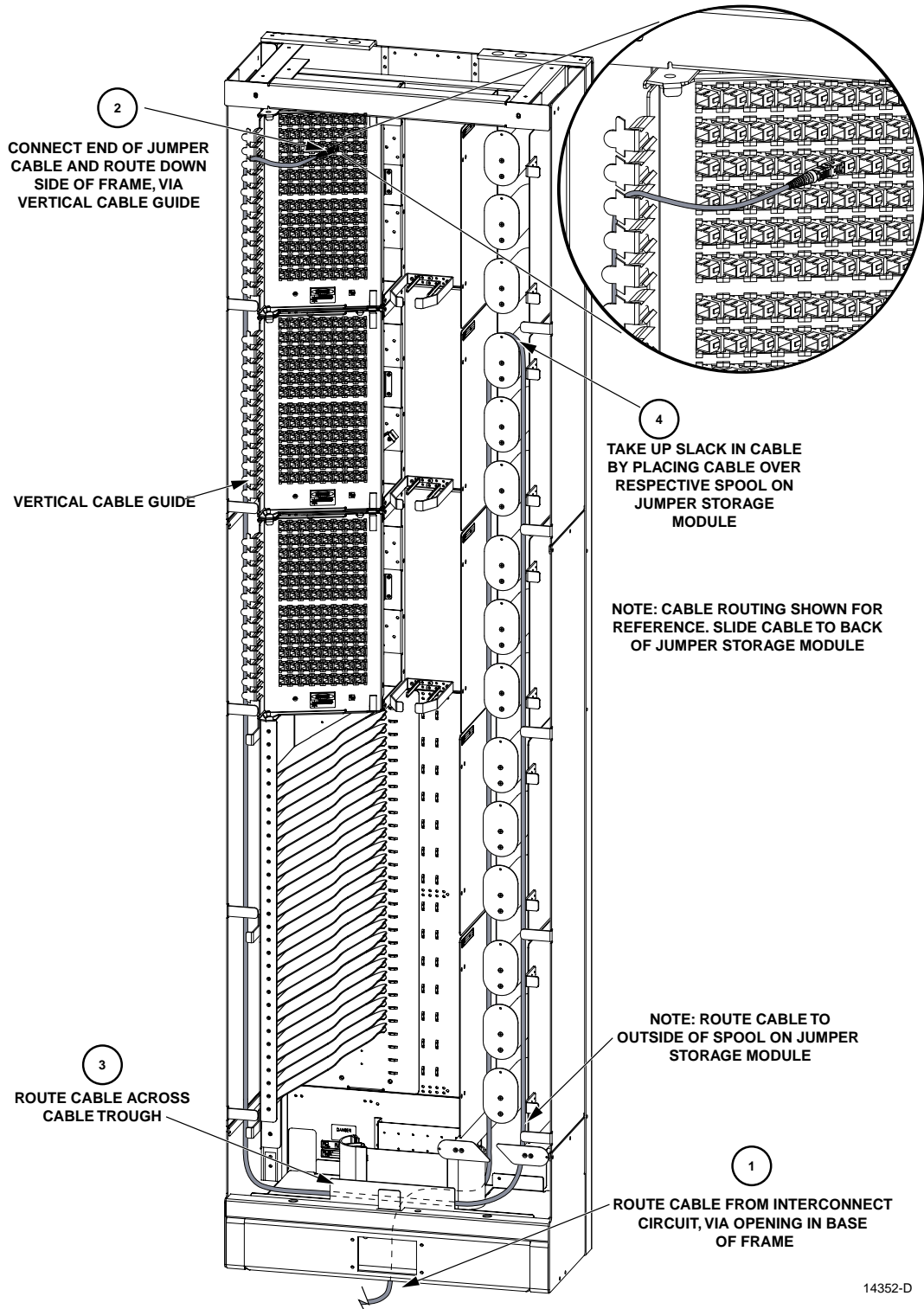


Figure 50. Interconnect Jumper Cable Routing (Option 1)

### 5.2.3 Under Floor Cable Entry Environment (Option 2)

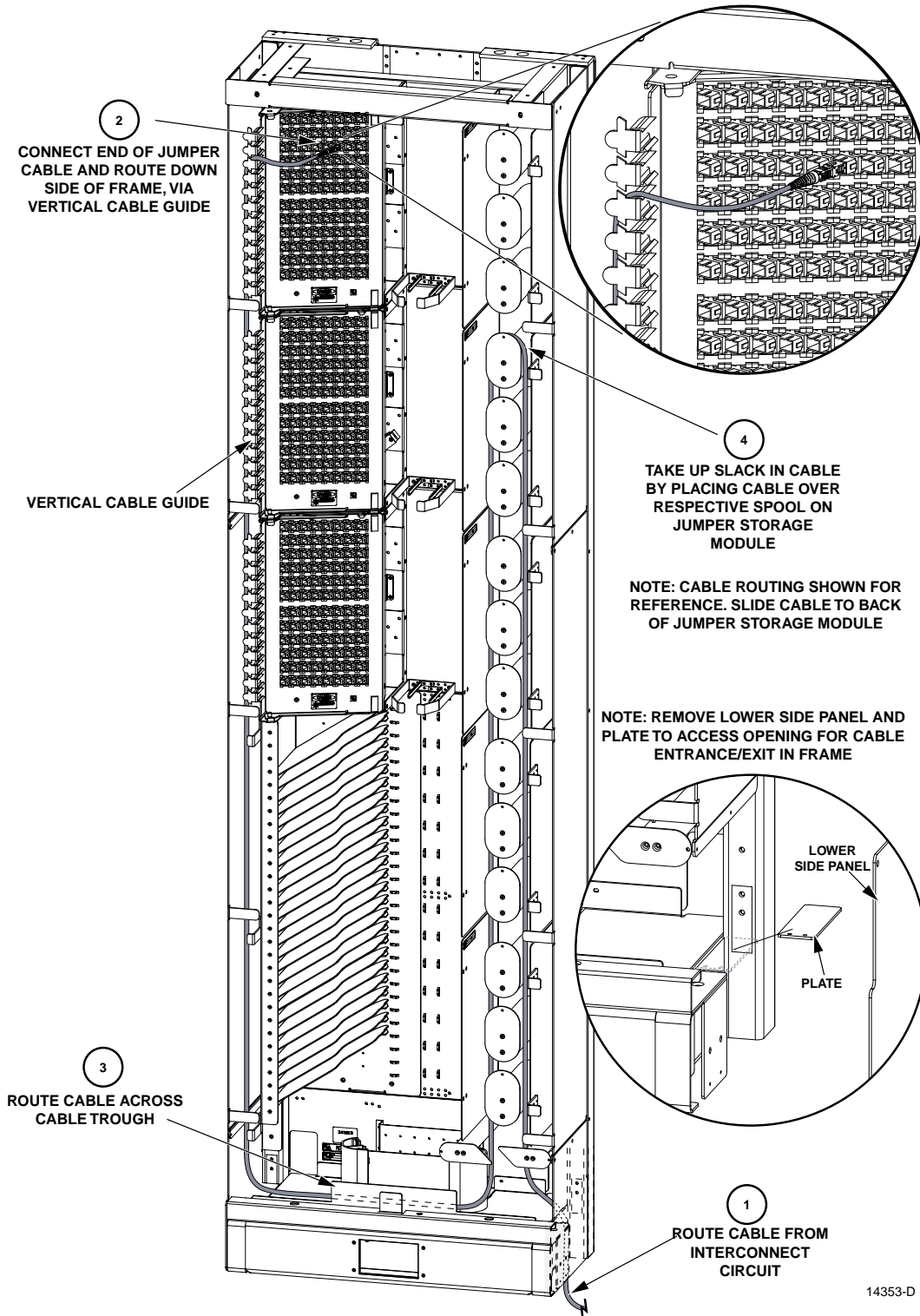


Figure 51. Interconnect Jumper Cable Routing (Option 2)

### 5.2.4 Interconnect Jumper Cable Routing (Single Bay With External IMP)

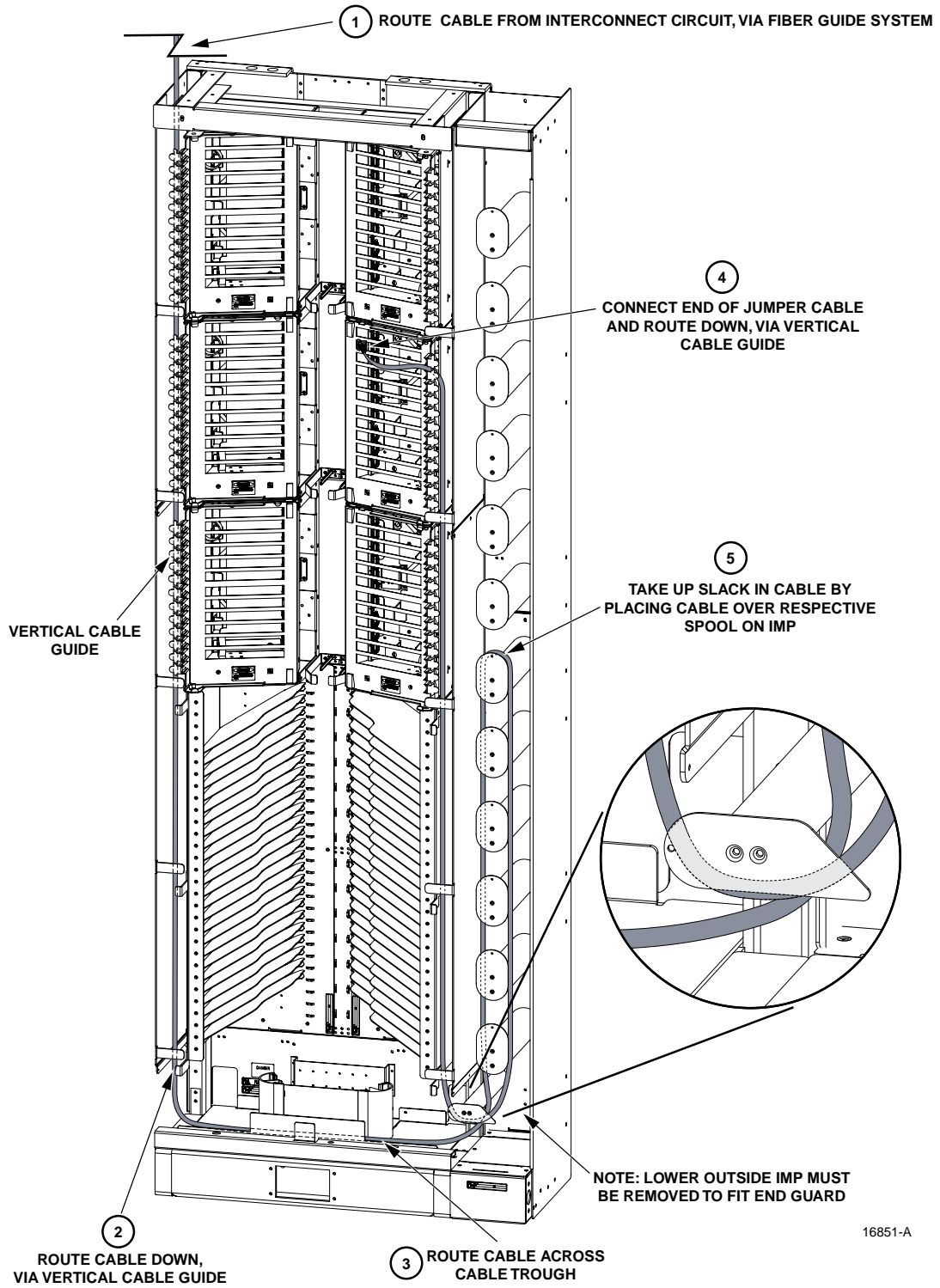


Figure 52. Jumper Cable Routing (Single Bay With External IMP)

### 5.2.5 Interconnect Jumper Cable Routing (Multiple Bay Lineup)

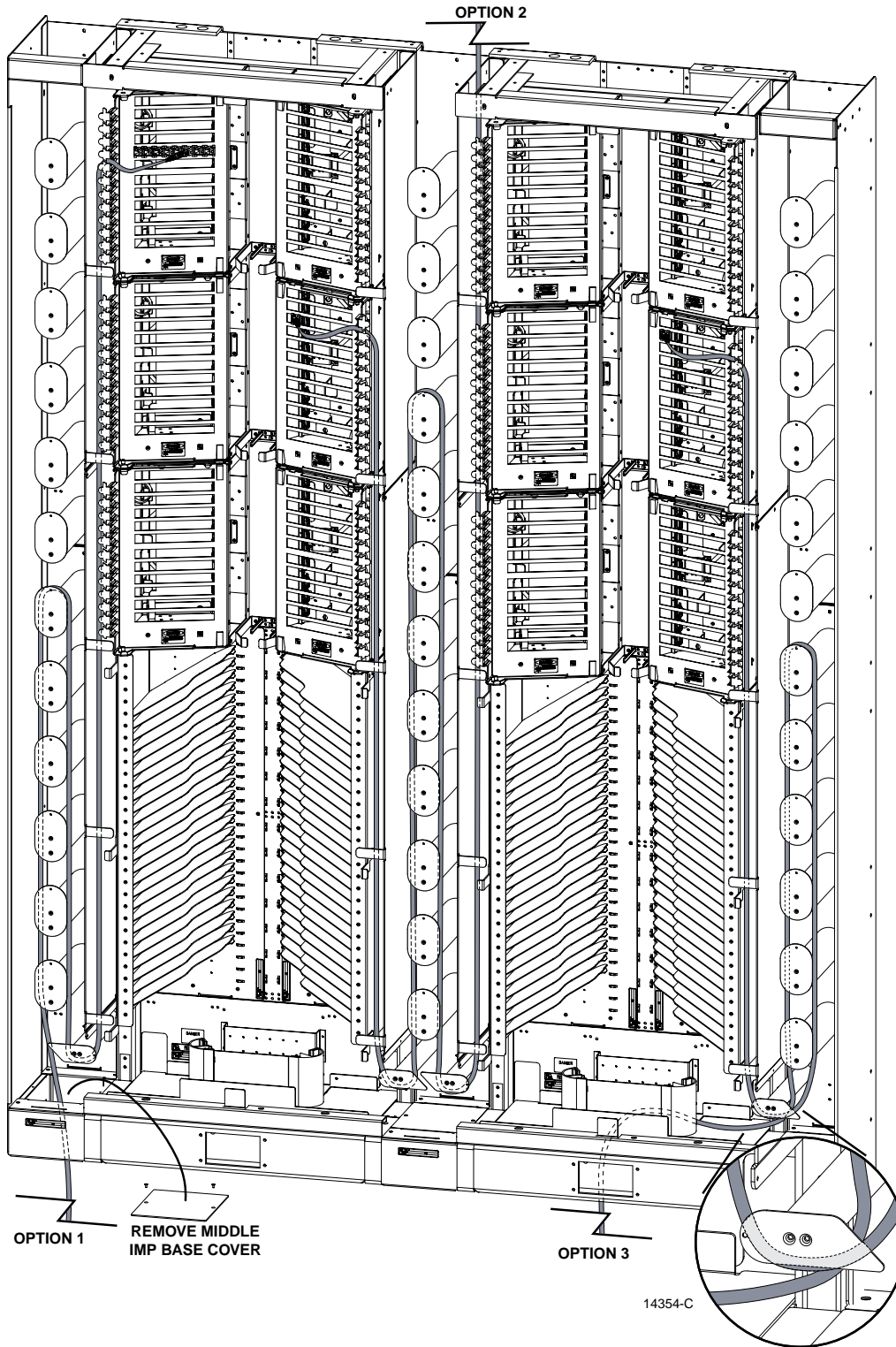


Figure 53. Interconnect Cable Routing (Multiple Bay Lineup)

## 6 GROUND CONNECTION

Figure 54 shows the ground connection for an overhead cable entry environment (top view) and an under floor cable entry environment (bottom view).

- ▶ **Note:** Remove tape to expose bare metal in grounding location. Apply bonding compound to bare metal.

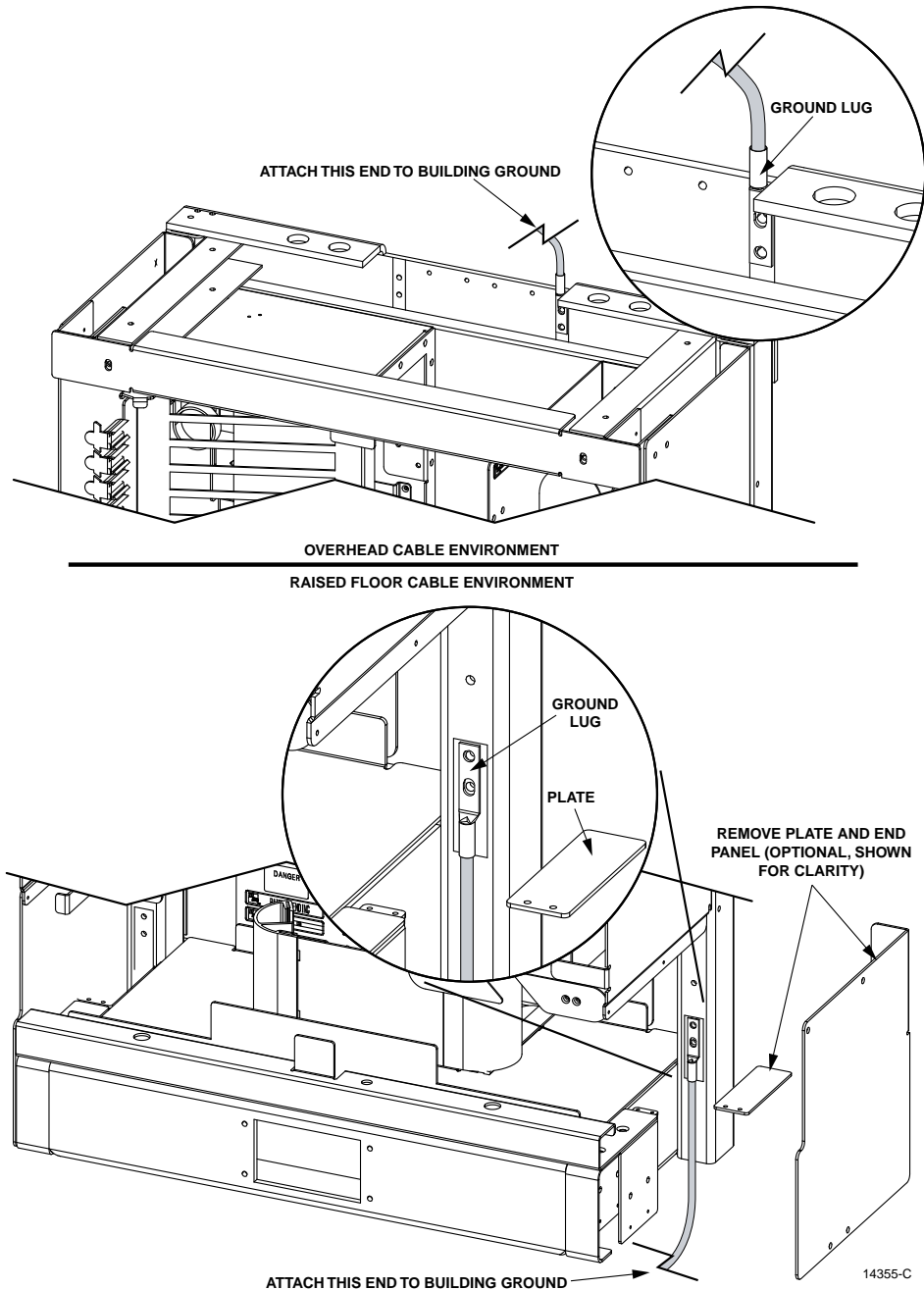


Figure 54. Rack Grounding Procedure

## 7 INTERBAY MANAGEMENT PANEL (IMP) MODULE INSTALLATION

Figure 55 shows the main components of the OMX IMP module.

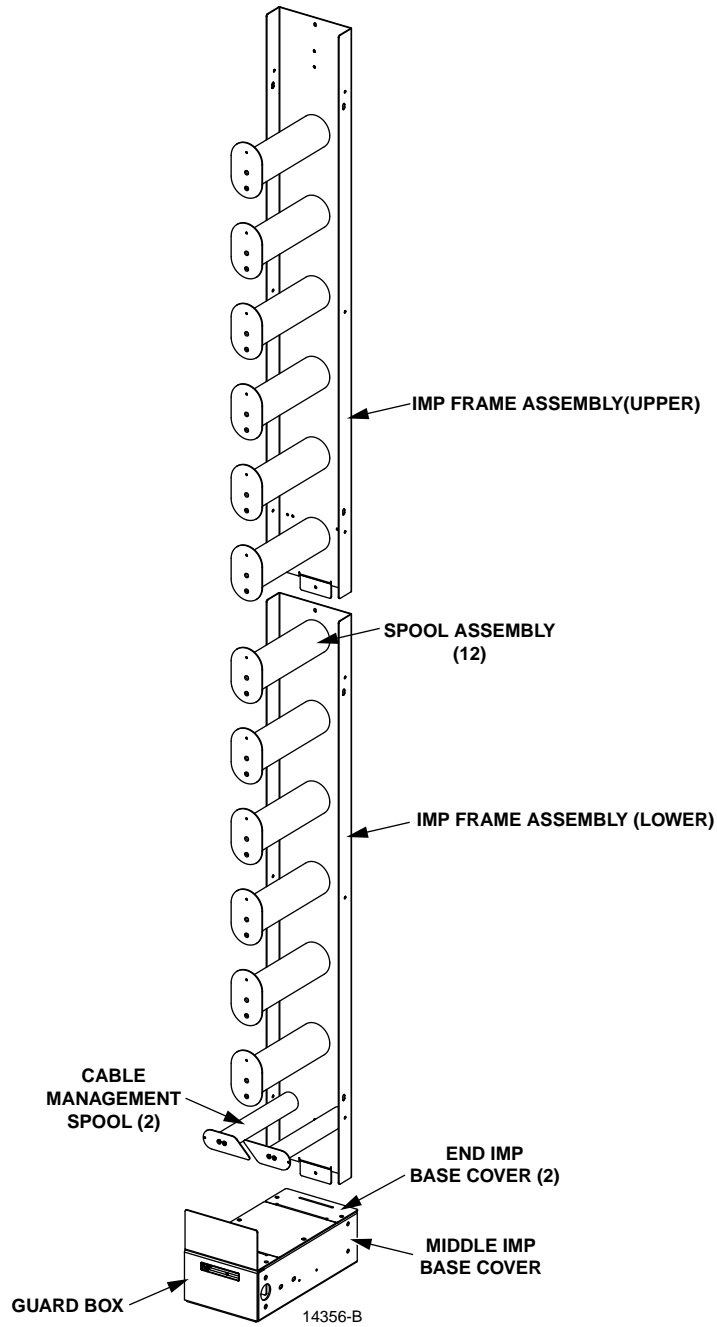
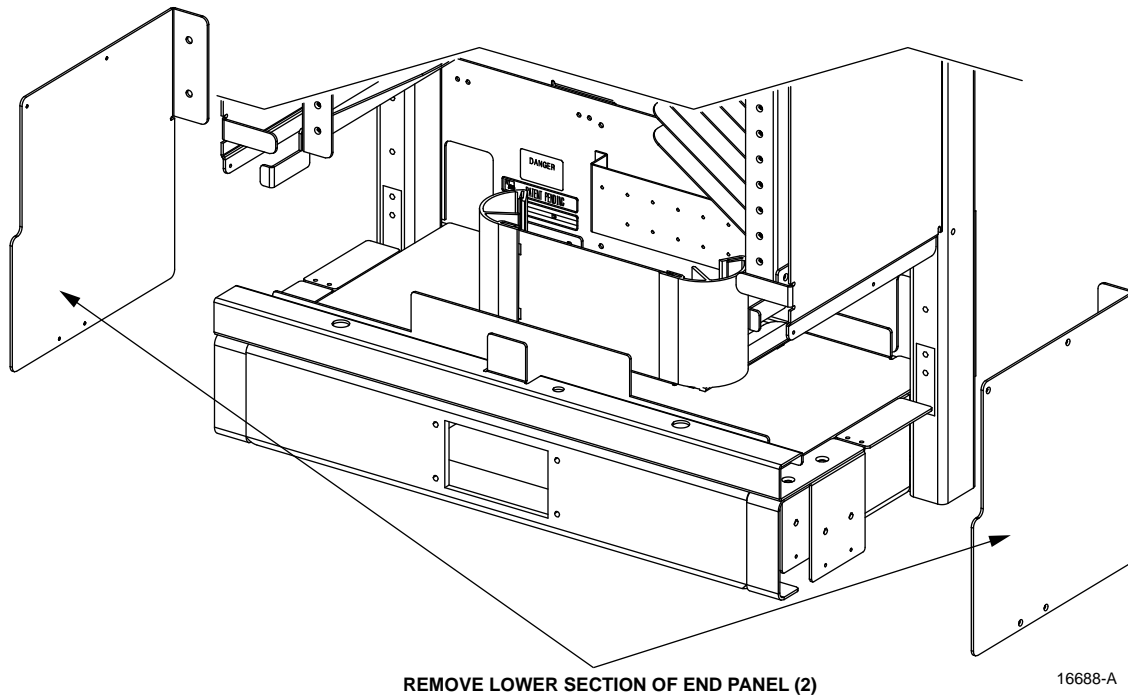


Figure 55. IMP Module Main Components

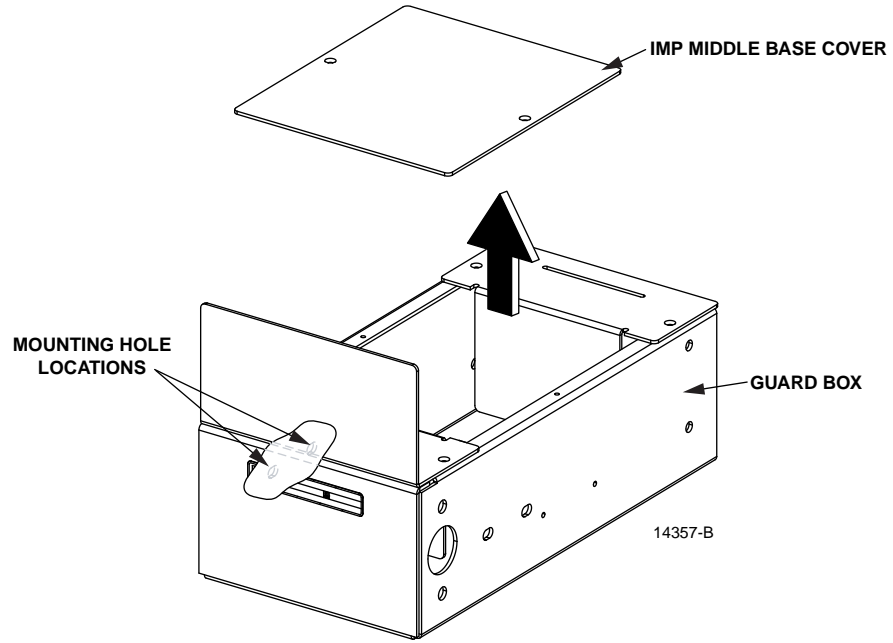
Use the following procedure.

1. Remove lower-most side panels from bay to allow for cable routing (save panels for future use), as shown [Figure 56](#).



**Figure 56. Remove Side Panels From Bay**

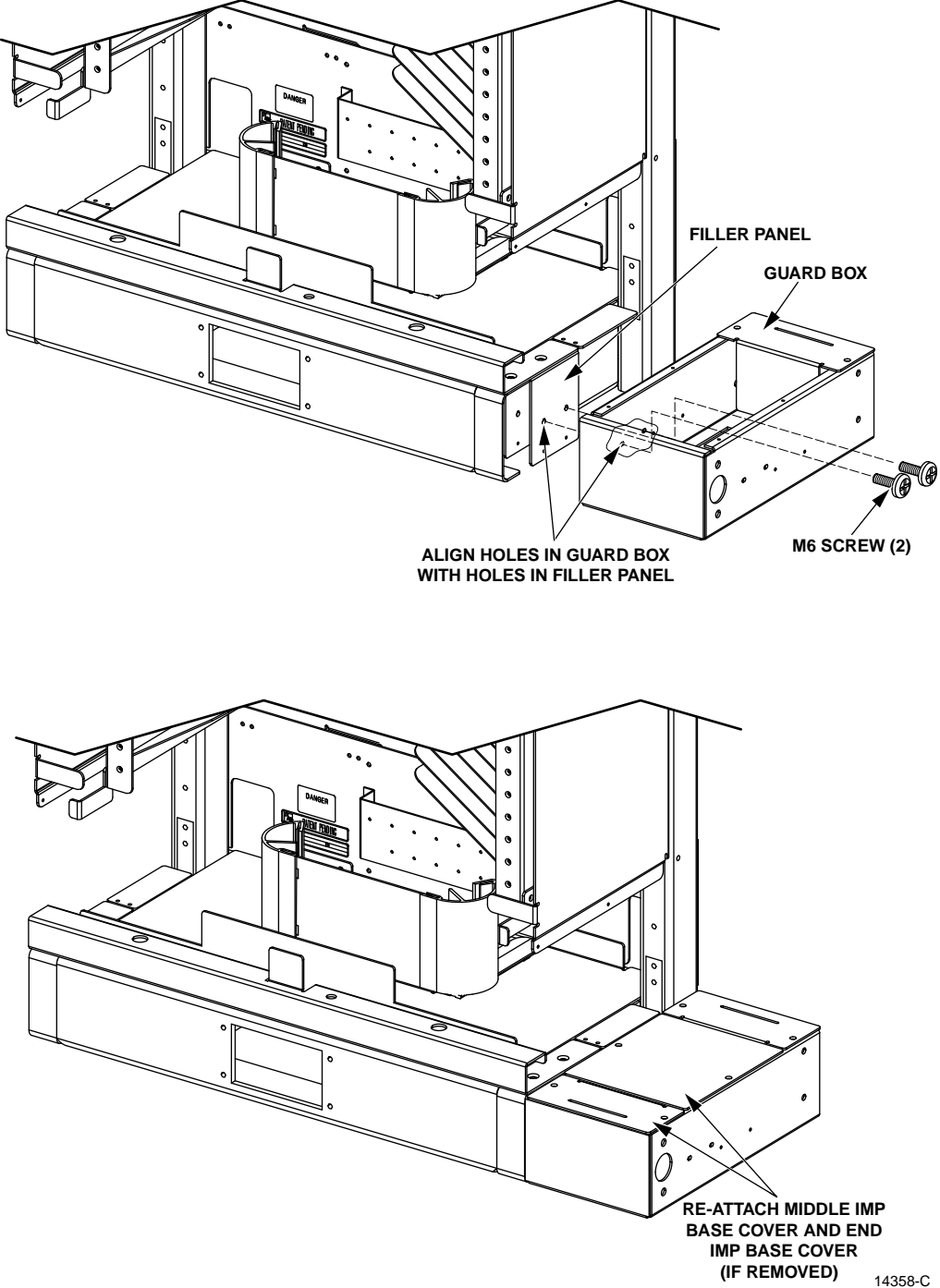
2. Remove the IMP middle base cover and IMP end base cover from guard box to access the two mounting holes as shown in Figure 56.



**Figure 57. Remove Covers to Access Mounting**

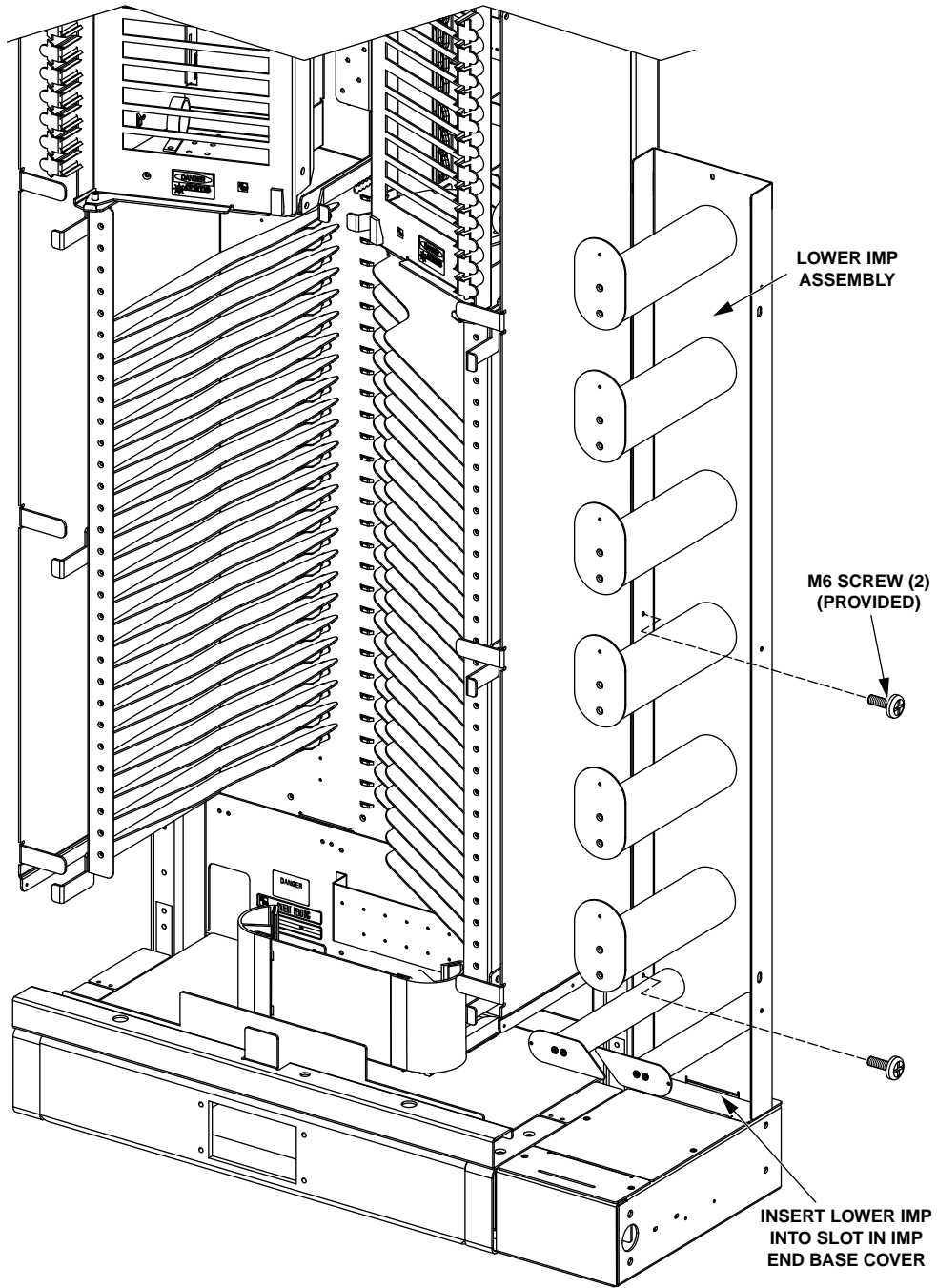


- 3. Attach guard box to filler panel on base of frame using two M6 screws (provided) as shown in Figure 58 (top view). Re-attach IMP middle base cover and IMP end base cover as shown in the bottom view of Figure 58.



**Figure 58. Attach Guard Box to Filler Panel;  
Reattach IMP Middle Base Cover and IMP Base Cover**

4. Place the lower IMP frame assembly into the slot in the IMP end base cover and attach to the frame using M6 screws (provided) as shown in [Figure 59](#).



14359-D

Figure 59. Assemble Lower IMP Assembly

- 5. Place upper IMP assembly above lower IMP assembly and attach with M3 screw (provided). Attach upper IMP to frame using M6 screws (provided) as shown in Figure 60.

▶ **Note:** Left side IMP assembly is installed in the same manner.

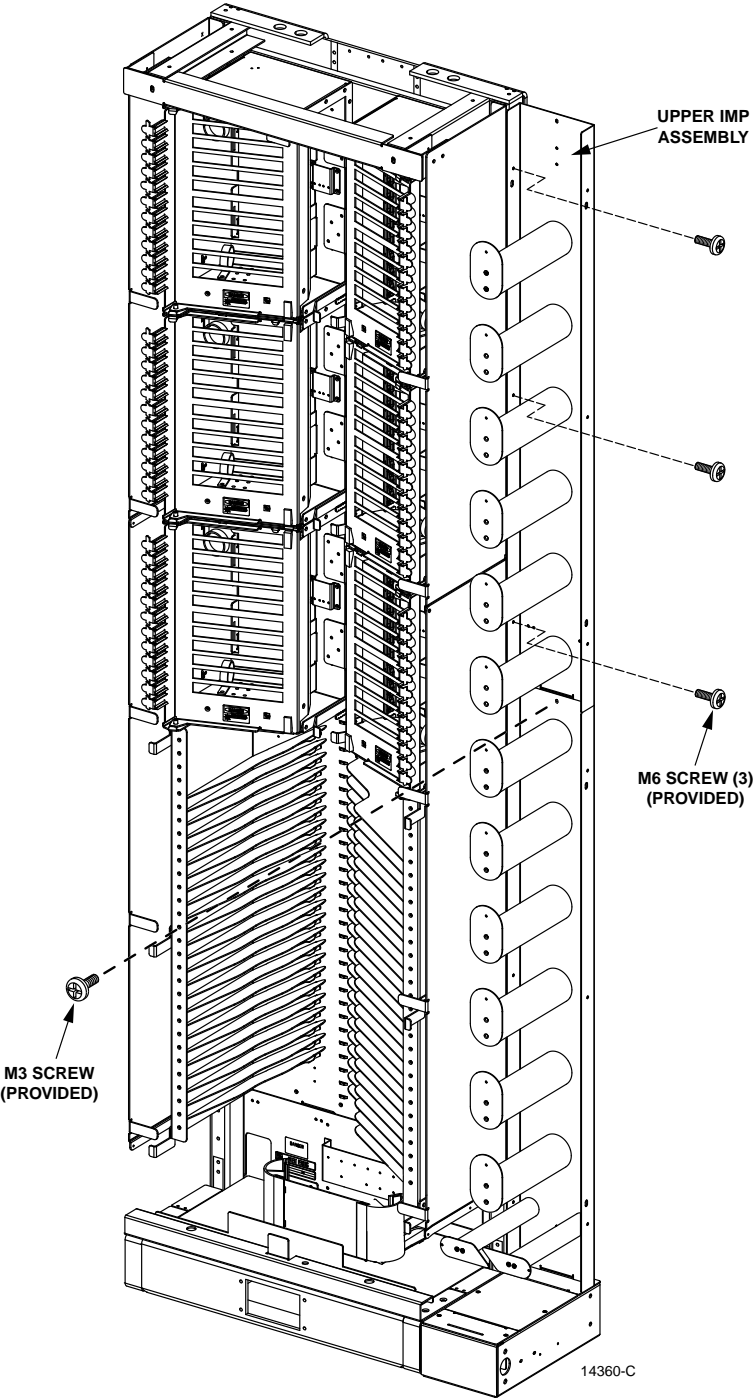


Figure 60. Attach Upper IMP Assembly

## 8 END GUARD ASSEMBLY

Install the end guard (right side end guard shown) as shown in [Figure 61](#).

► **Note:** Left side end guard is installed in the same manner.

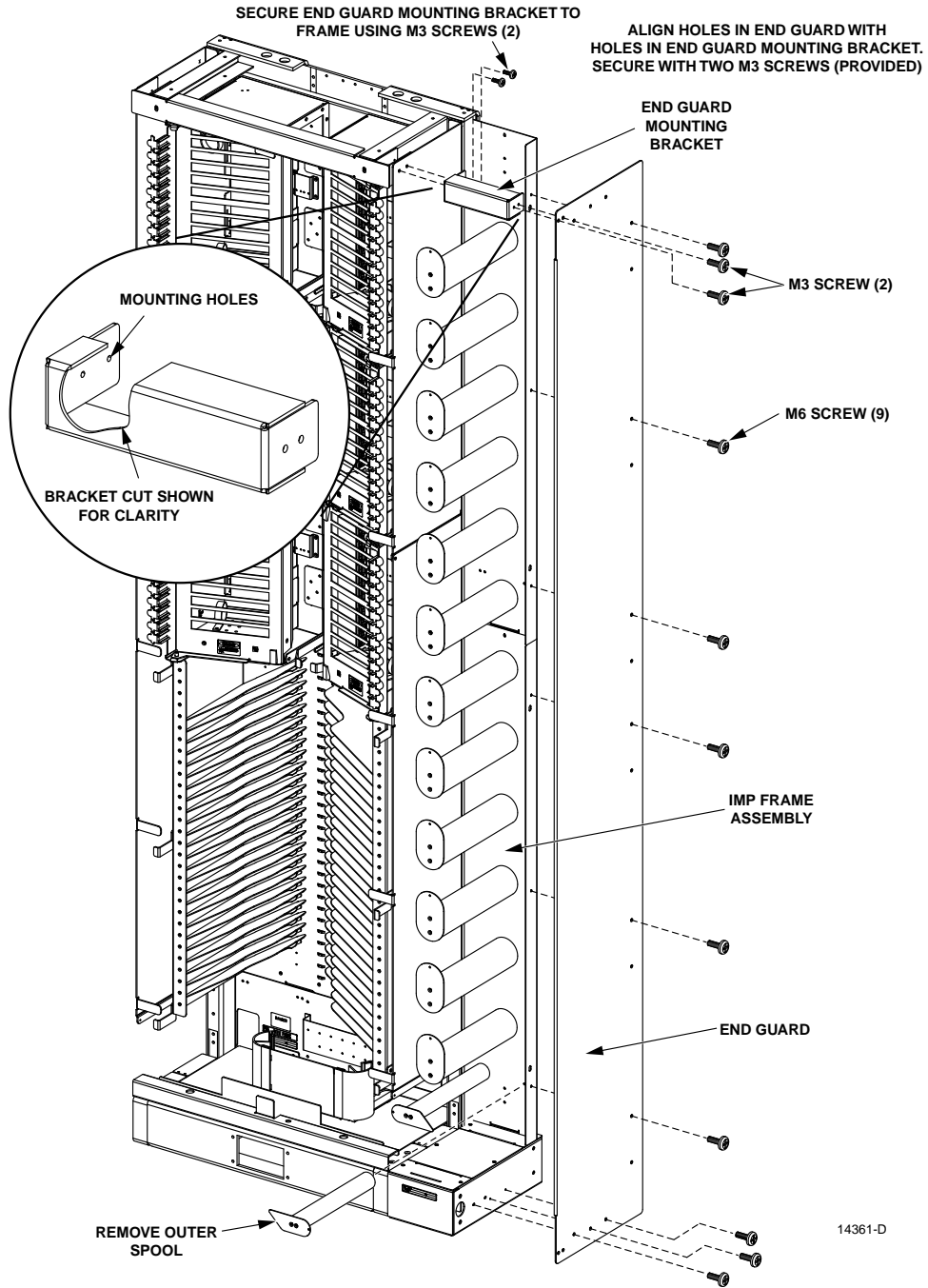


Figure 61. Right Side End Guard Assembly Installation

### 9 TOP COVER ASSEMBLY (ACCESSORY)

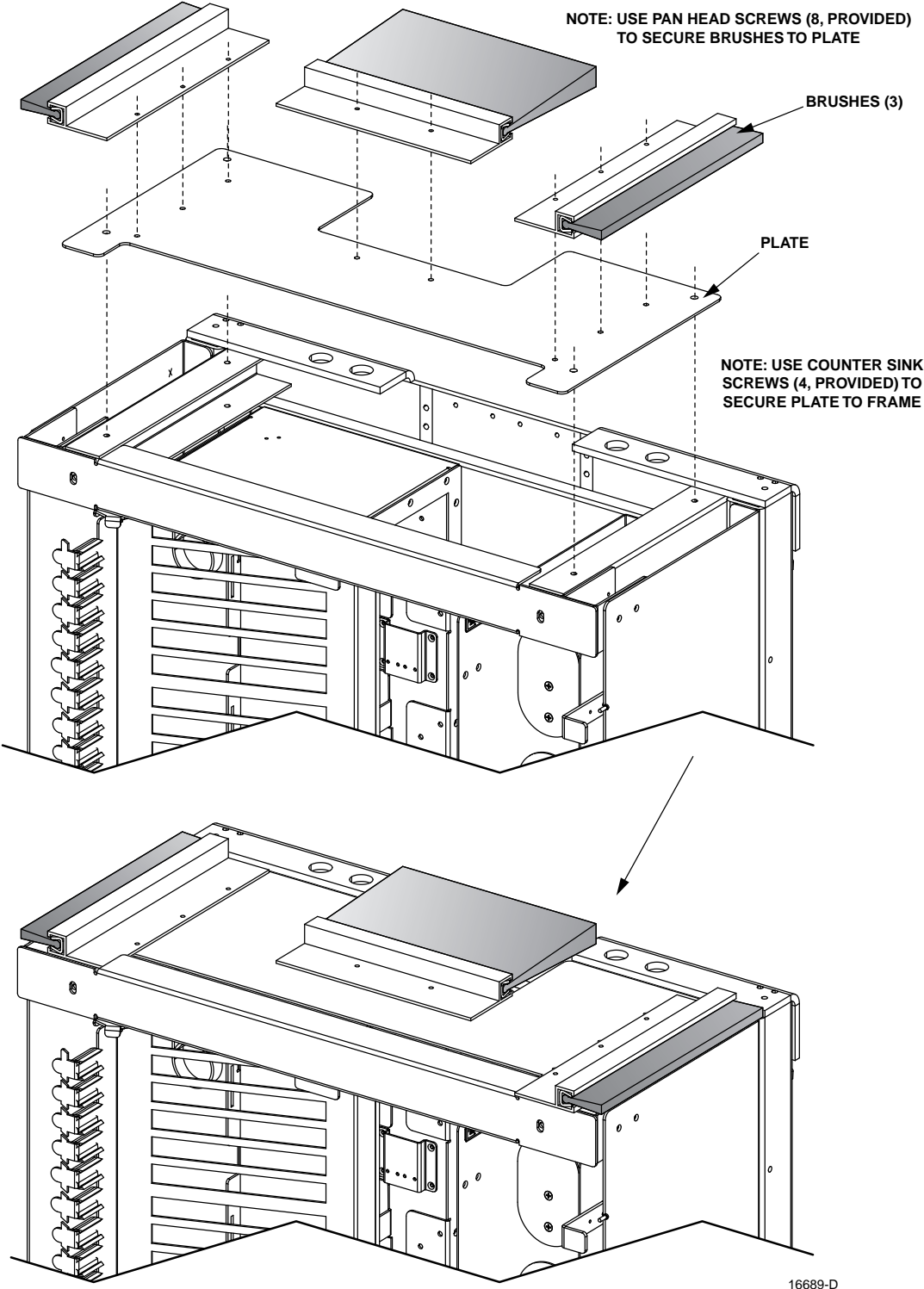


Figure 62. Top Cover Assembly (Accessory)

## 10 CUSTOMER INFORMATION AND ASSISTANCE

For information on products refer to:

<http://www.commscope.com>

For product support, refer to:

<http://www.commscope.com/Support Center>

For information on patents, refer to:

<http://www.cs-pat.com>