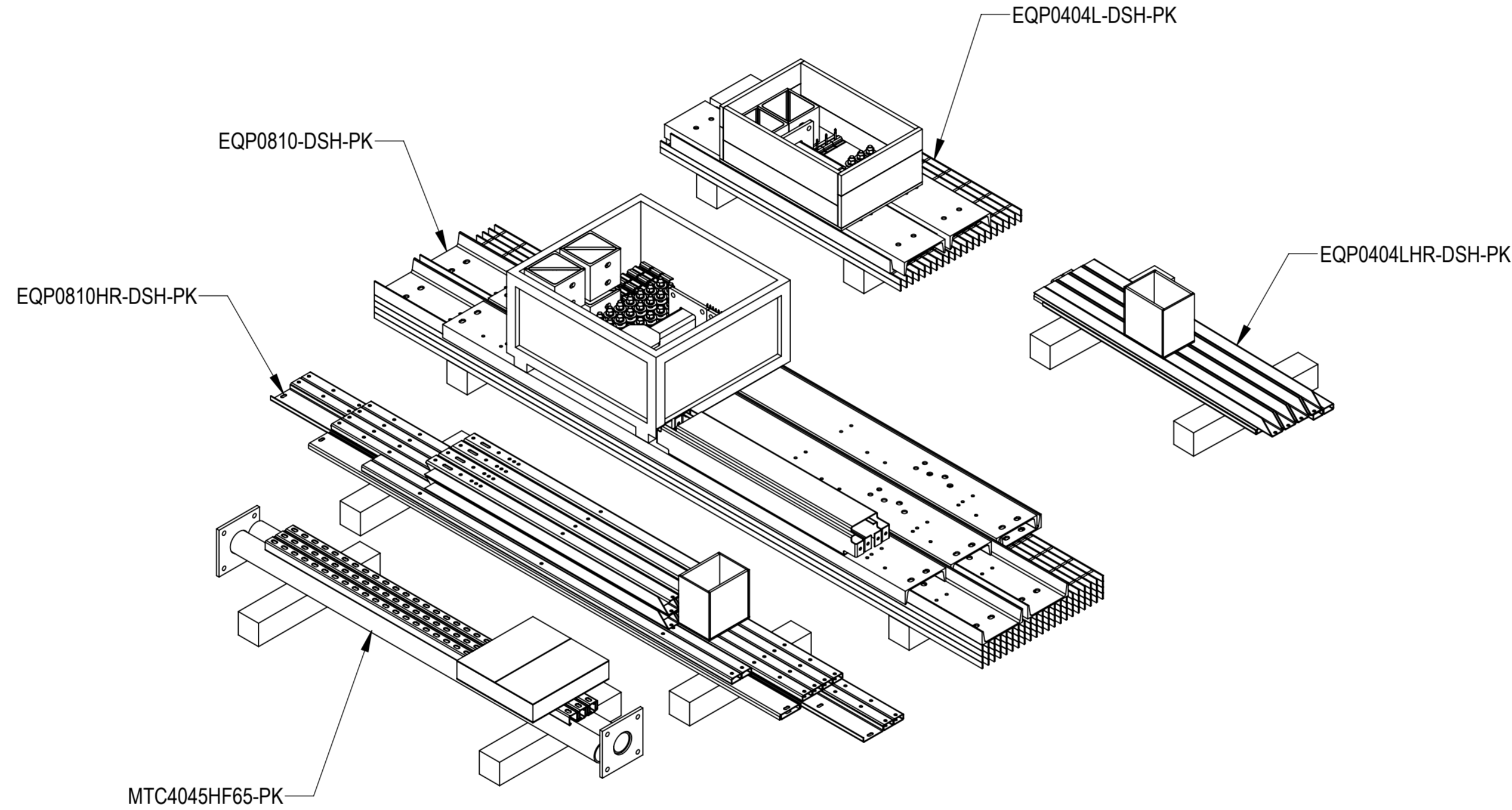


- 1.0 GENERAL NOTES
 1.1 ALL IMPERIAL DIMENSIONS ARE IN BRACKETS [X.XX]
 1.2 FOR PATENT INFO: <https://www.cs-pat.com>
- 2.0 DESIGN NOTES
 2.1 USE DRAWING EQP0810-DSH TO ASSEMBLE 08X10 EQP FOR ELEVATED SITES
 2.2 USE DRAWING EQP0810HR-DSH TO ASSEMBLE 08X10 EQP HANDRAIL FOR ELEVATED SITES
 2.3 USE DRAWING EQP0404L-DSH TO ASSEMBLE 48" X 48" ELEVATED LD FOR EQP
 2.4 USE DRAWING EQP0404LHR-DSH TO ASSEMBLE 48" X 48" HAND-RAIL FOR ELEVATED LD
 2.5 USE DRAWING MTC4045HF SERIES TO ASSEMBLE H-FRAME, PLATFORM, MTC4045
 2.6 ANY HAZARDS OR OBSTRUCTIONS TO THE CLIMBING FACILITY AND SAFETY CLIMB MUST BE IDENTIFIED PRIOR TO INSTALLING THE APPURTENANCE. ADDITIONAL PRODUCTS MAY BE REQUIRED TO MAINTAIN THE INTEGRITY OF THE SAFETY CLIMB. DURING INSTALLATION, TEMPORARY AND/OR PERMANENT PRECAUTIONARY MEASURES SHOULD BE TAKEN TO PRESERVE THE CLIMBING FACILITY AND/OR SAFETY CLIMB.
- 3.0 MANUFACTURING/SPECIAL REQUIREMENTS
 3.1 TIGHTEN ALL BOLTS SECURING FLAT PLATES BY THE TURN-OF-NUT METHOD. TIGHTEN ALL U-BOLTS USING TURN-OF-NUT METHOD WITH ATTENTION TO LEAVE EQUAL DISTANCE AND EQUAL FORCE ON EACH LEG OF THE U-BOLT.
- 4.0 TEST
- 5.0 PACKAGING
 5.1 PACKAGING SHALL MEET COMMSCOPE REQUIREMENTS PER DOCUMENT IS-PL-3005
 5.2 PRINTED DOCUMENT TO BE PLACED INSIDE POLYBAG AND THEN IN SHIPPING CONTAINER
 5.3 EXTRA HARDWARE MAYBE SUPPLIED, BAGGED AND SHIPPED

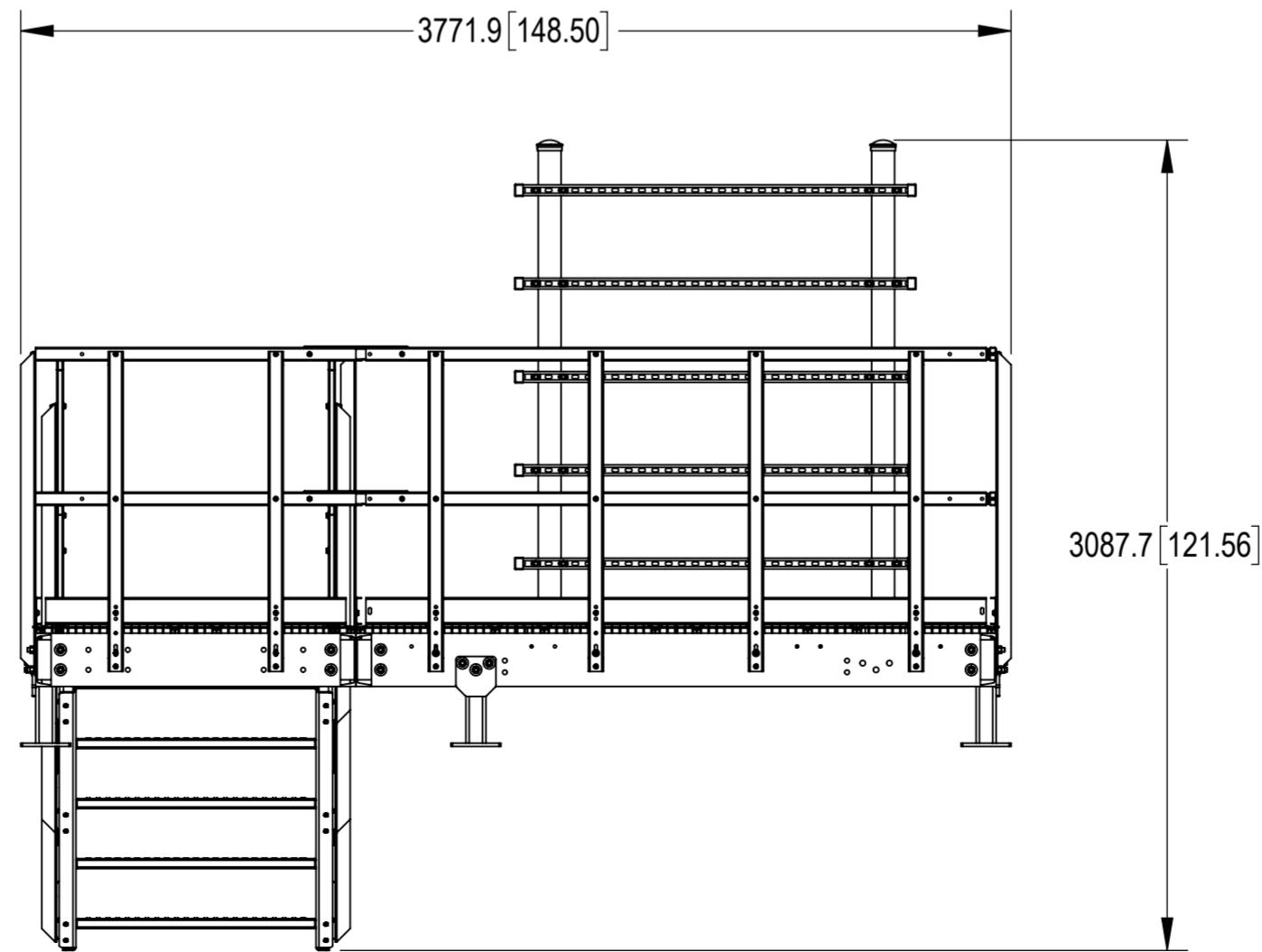
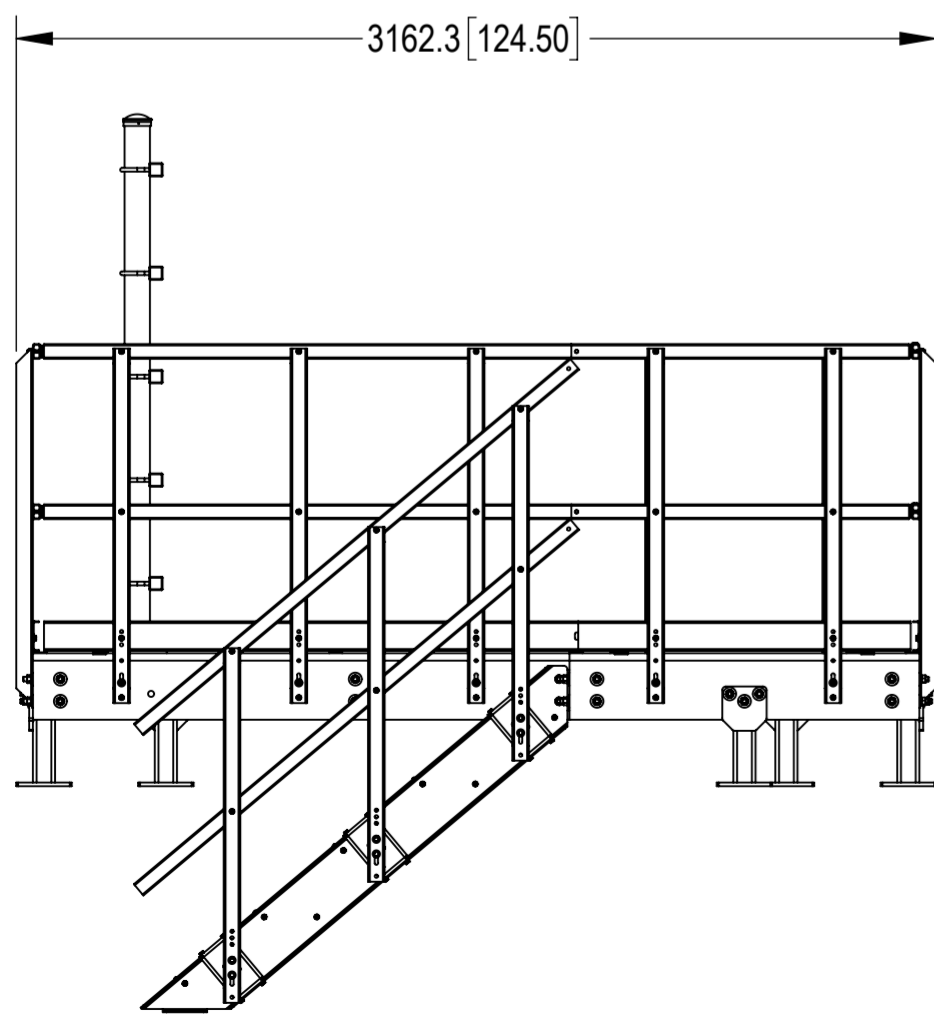
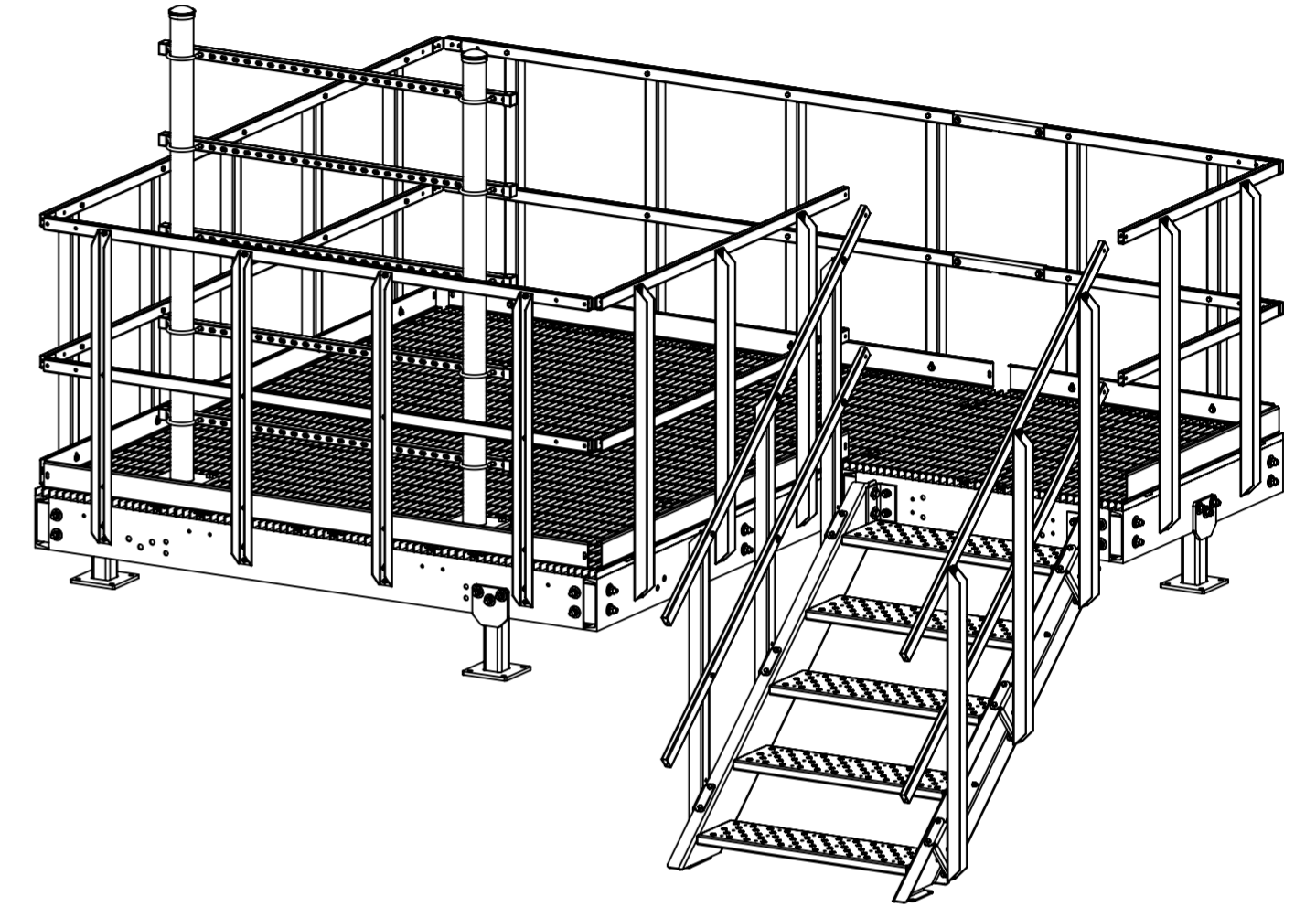
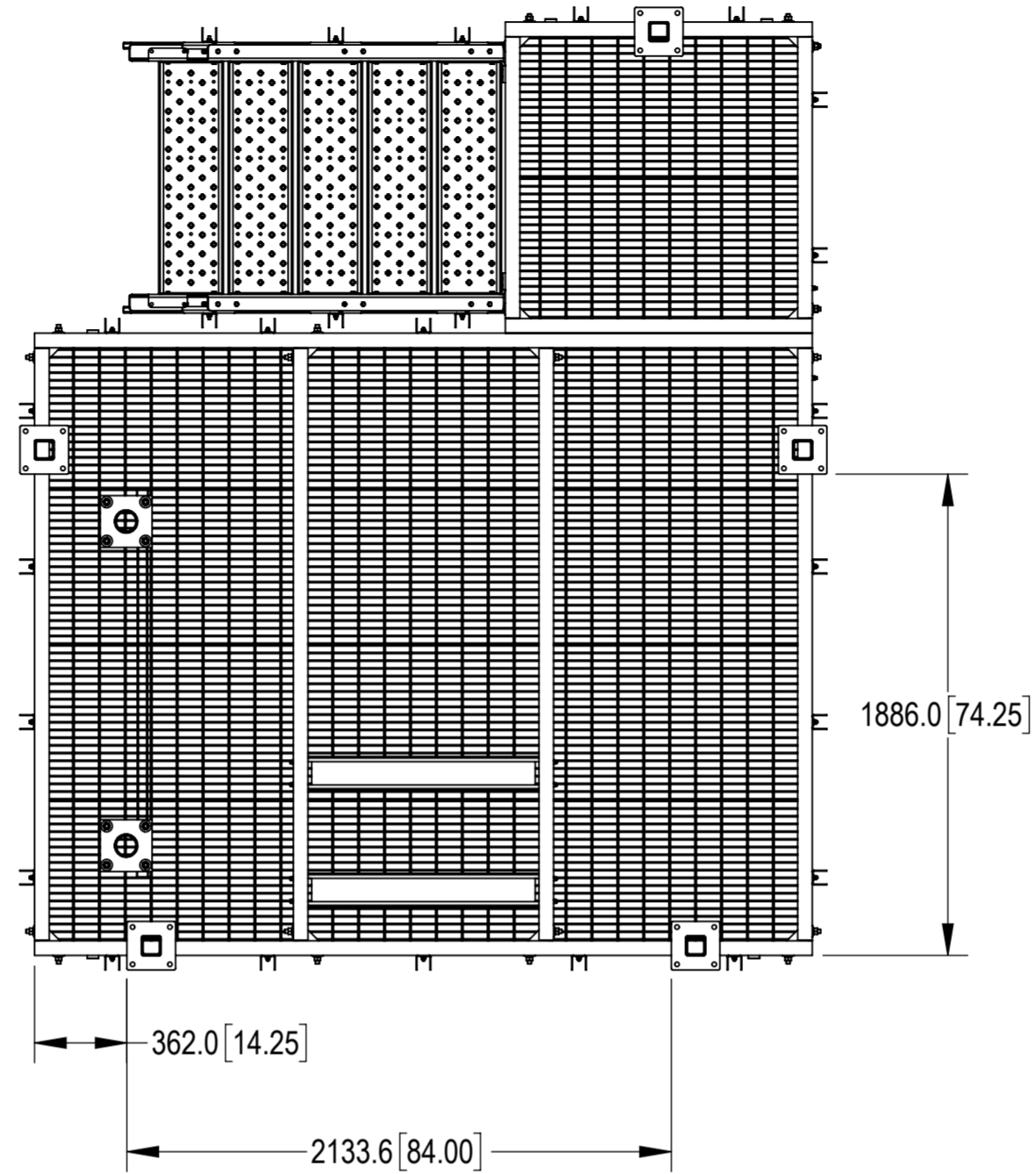
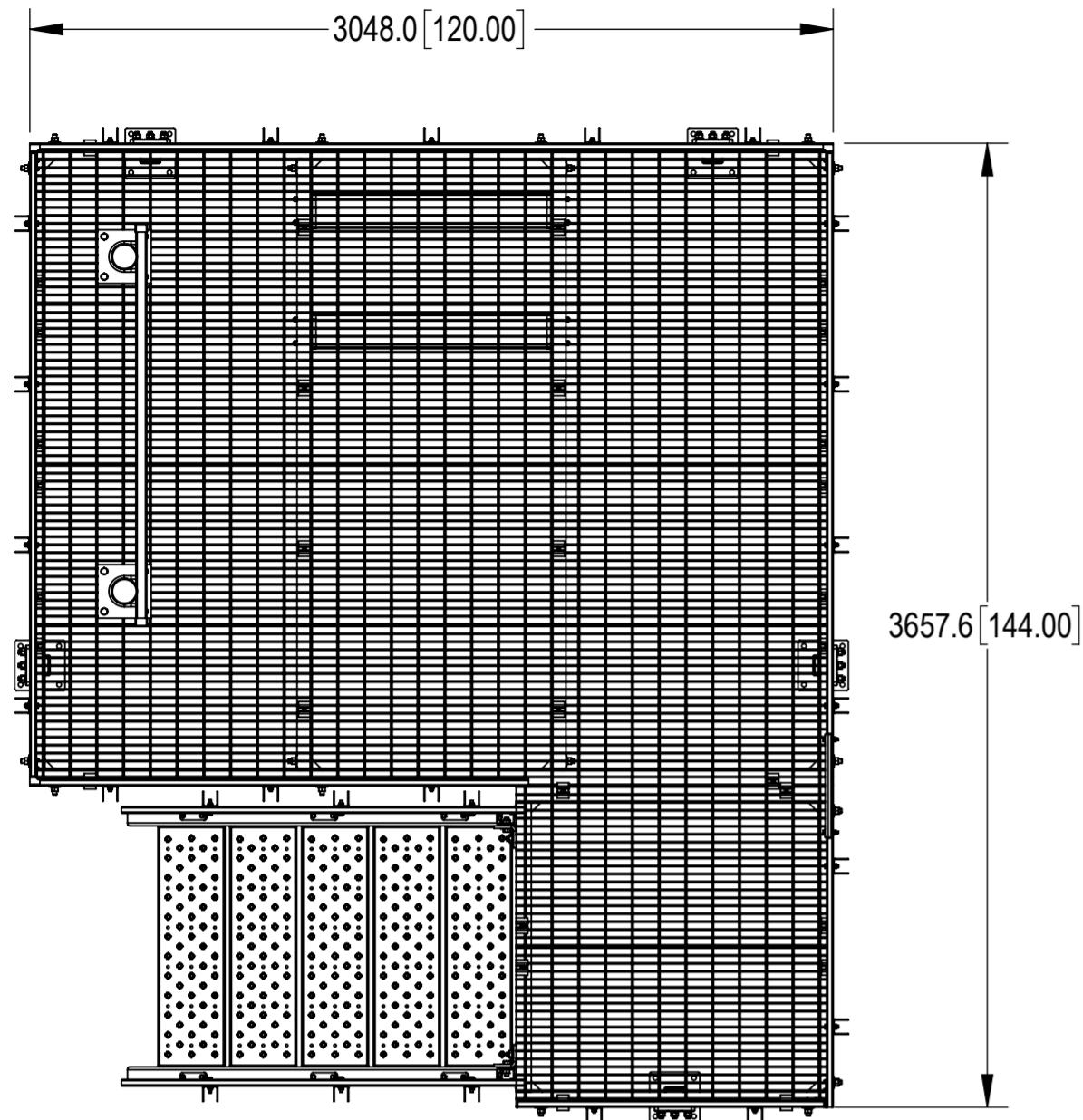
REVISIONS			
REV.	DESCRIPTION	DATE	APPROVED
A	INITIAL RELEASE	YX1027 03FEB23	XK1001 40165206CMO
B	UPDATED NOTE TO REMOVED CONNECTORS SOLD SEPARATELY	YX1027 10MAR23	XK1001 40167803CMO



COMMSCOPE, INC. OF NORTH CAROLINA

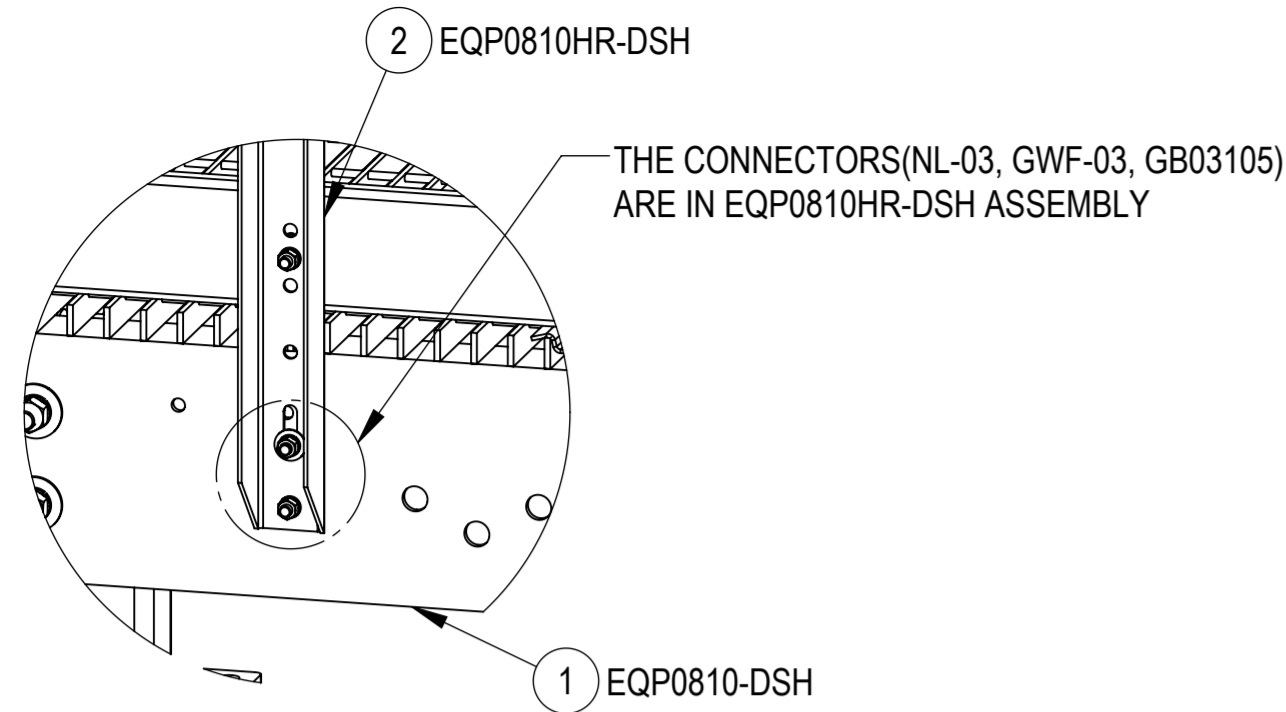
TOLERANCES		SAP MATERIAL MASTER	
0 PLACE	X[.X] ± 6[0.25]	2 PLACE	.XX[.XXX] ± 1.50[0.06]
1 PLACE	.X[.XX] ± 3.0[0.12]	ANGLES	± 2°
FINISH		MATERIAL	
PLATFORM, 8X10, W/LANDING			
SCALE		DOCUMENT NO.	
1:16		EQ-P0810-EP-LP	
SIZE	Auth Group	INSL	MODEL
A2		VERSION	STATUS
		00	RE
REVISION	REVISION	VERSION	STATUS
A	A	01	RE
REVISION	REVISION	VERSION	STATUS
B	B		
SHEET			1 OF 3

DENSITY	lbs/in³
MASS	2697.82 lbs
VOLUME	9567.1 in³
SURFACE AREA	111353 in²
DENSITY	g/mm³
MASS	1226279.99 grams
VOLUME	156786358.73 mm³
SURFACE AREA	71840431.64 mm²
HEIGHT	3162.3[124.50]
LENGTH	3771.9[148.50]
WIDTH	3087.7[121.56]

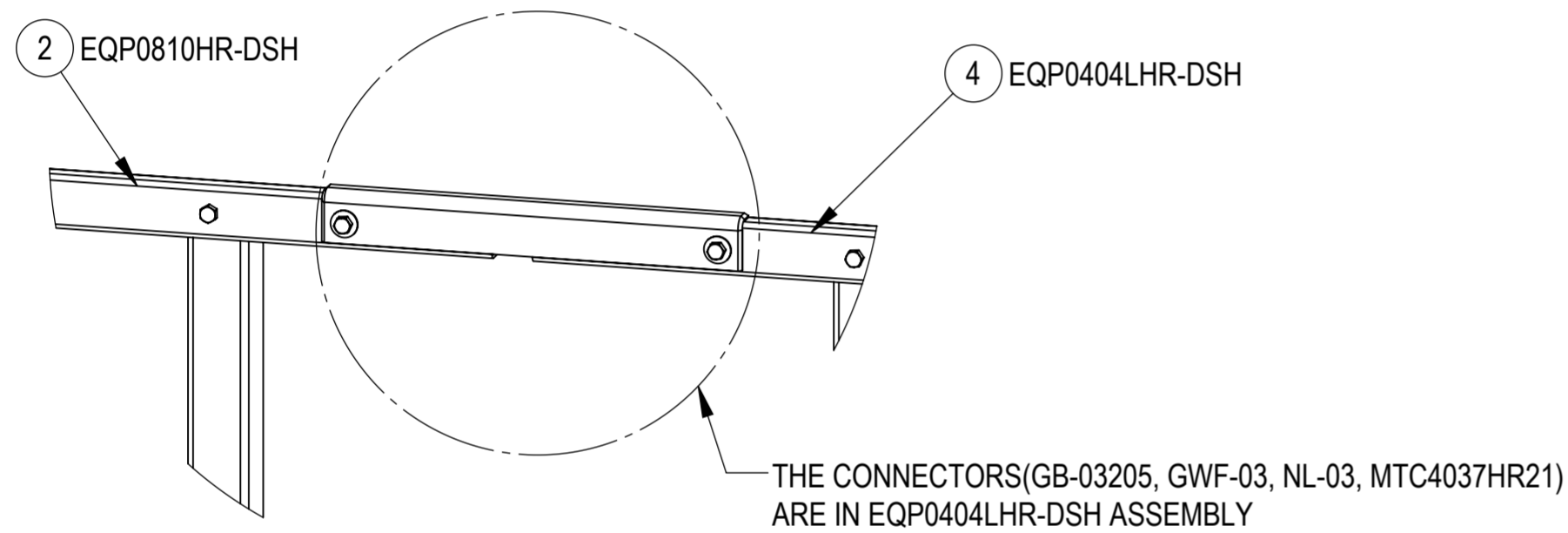


COMMSCOPE, INC. OF NORTH CAROLINA				
TITLE				
PLATFORM, 8X10, W/LANDING				
SIZE	SCALE	DOCUMENT NO.		
A2	1:50	EQ-P0810-EP-LP		
DRAWING				SHEET
VERSION	STATUS	REVISION	2 OF 3	
01	RE	B		

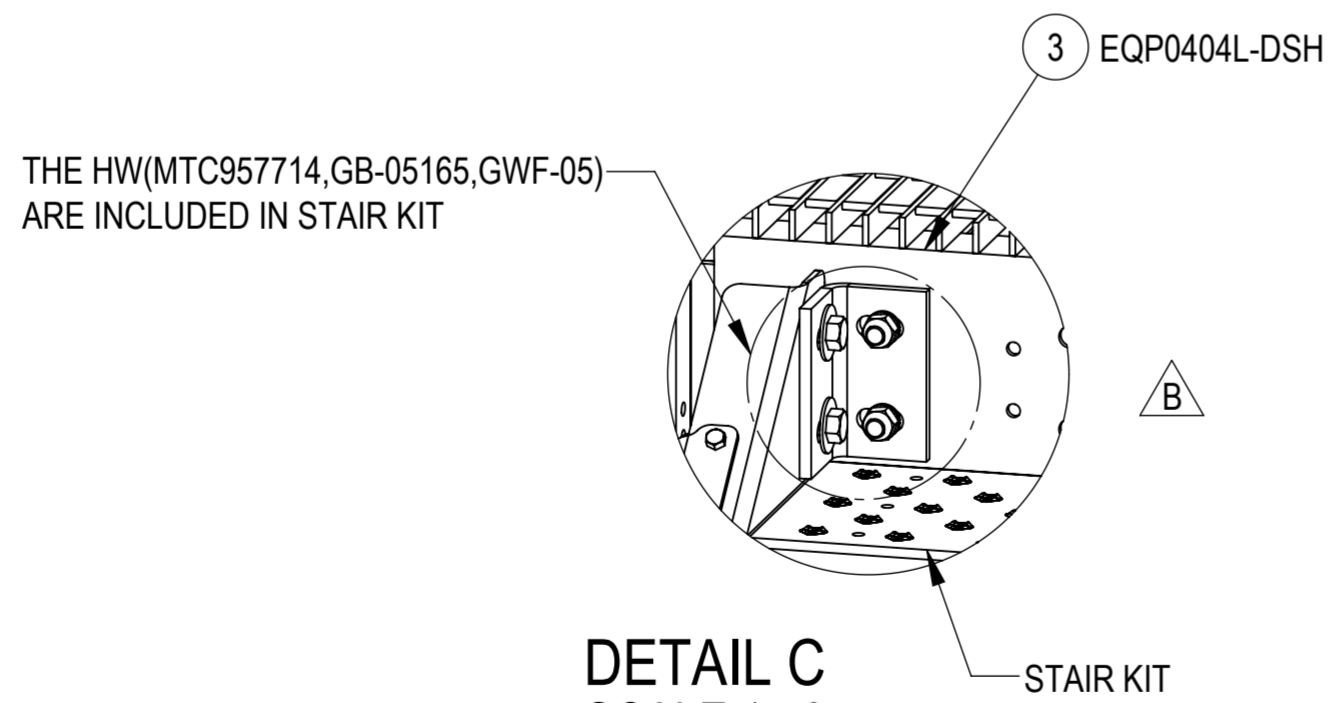
© 2023 CommScope, Inc. Confidential



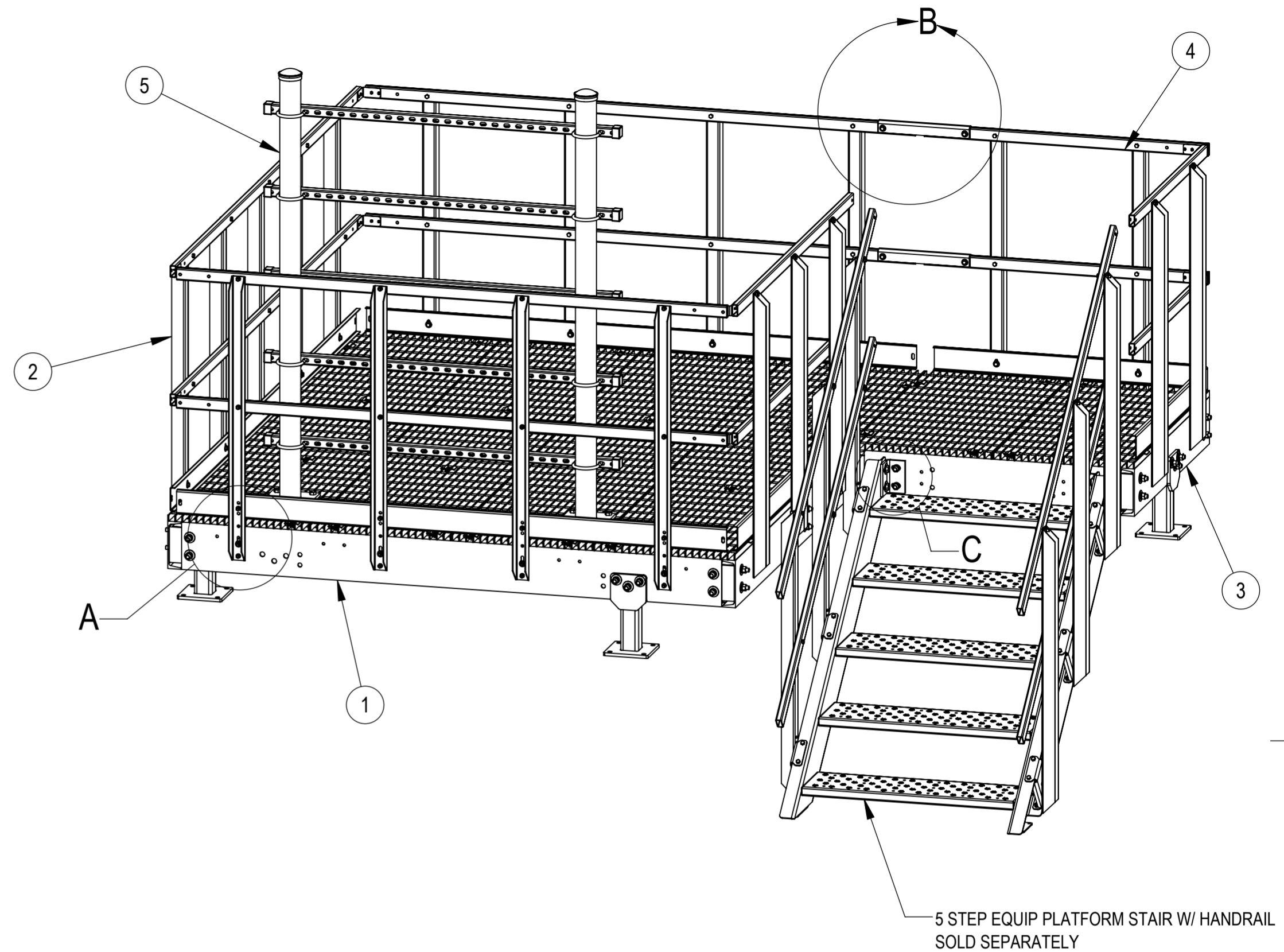
DETAIL A
SCALE 1 : 6



DETAIL B
SCALE 1 : 6

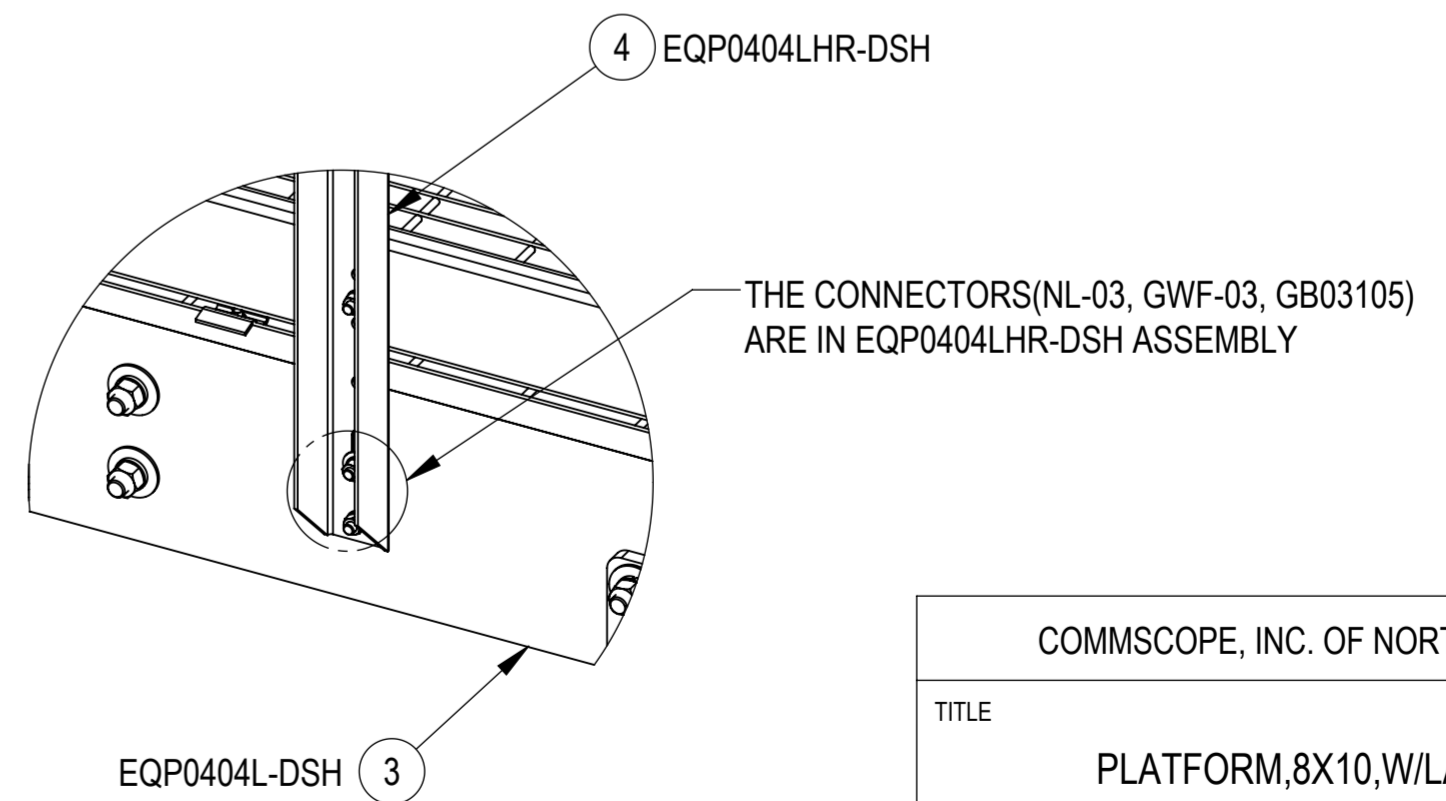


DETAIL C
SCALE 1 : 6



COMPONENT PART NUMBERS PROVIDED FOR ASSEMBLY PURPOSES;
INDIVIDUAL COMPONENTS MAY BE SHIPPED AS PARTS WITHIN AN INCLUDED KIT

ITEM NO.	PART NUMBER	DESCRIPTION	QTY.
1	EQP0810-DSH	08X10 EQP FOR ELEVATED SITES	1
2	EQP0810HR-DSH	08X10 EQ PLATFORM HANDRAIL FOR ELEVATED	1
3	EQP0404L-DSH	48" X 48" ELEVATED LD FOR EQP	1
4	EQP0404LHR-DSH	48" X 48" HAND-RAIL FOR ELEVATED LD	1
5	MTC4045HF65	H-FRAME, PLATFORM, MTC4045	1



COMMSCOPE, INC. OF NORTH CAROLINA			
TITLE PLATFORM,8X10,W/LANDING			
SIZE A2	SCALE 1:50	DOCUMENT NO. EQ-P0810-EP-LP	
DRAWING			SHEET
VERSION 01	STATUS RE	REVISION B	3 OF 3