

4

3

2

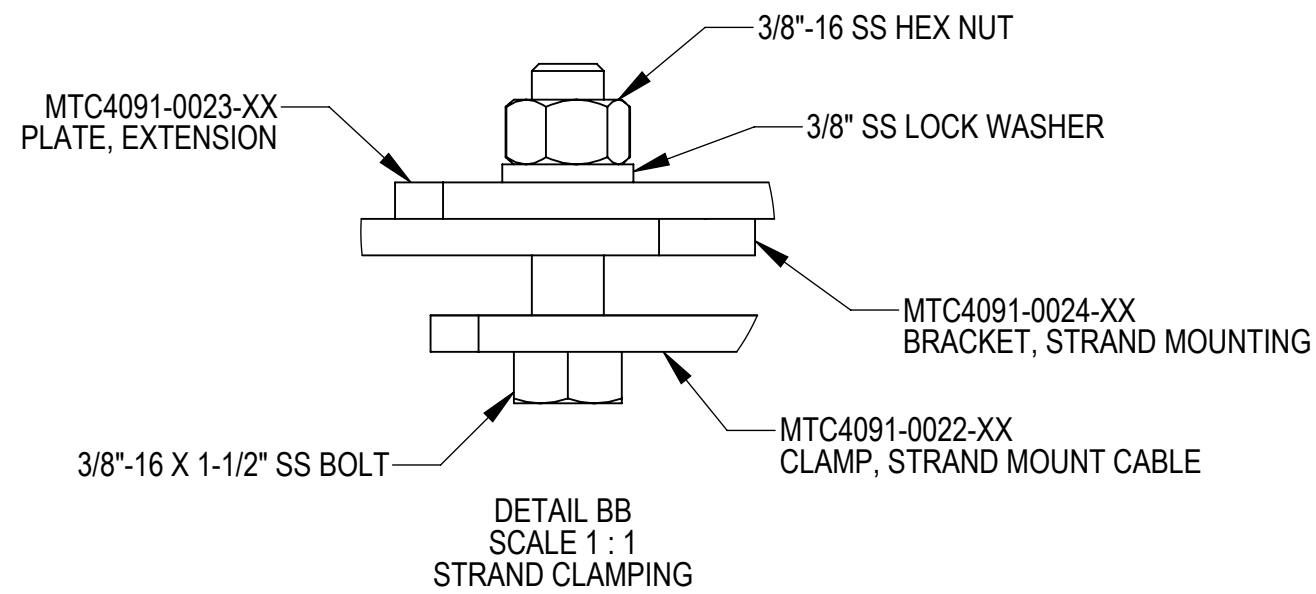
1

NOTES:

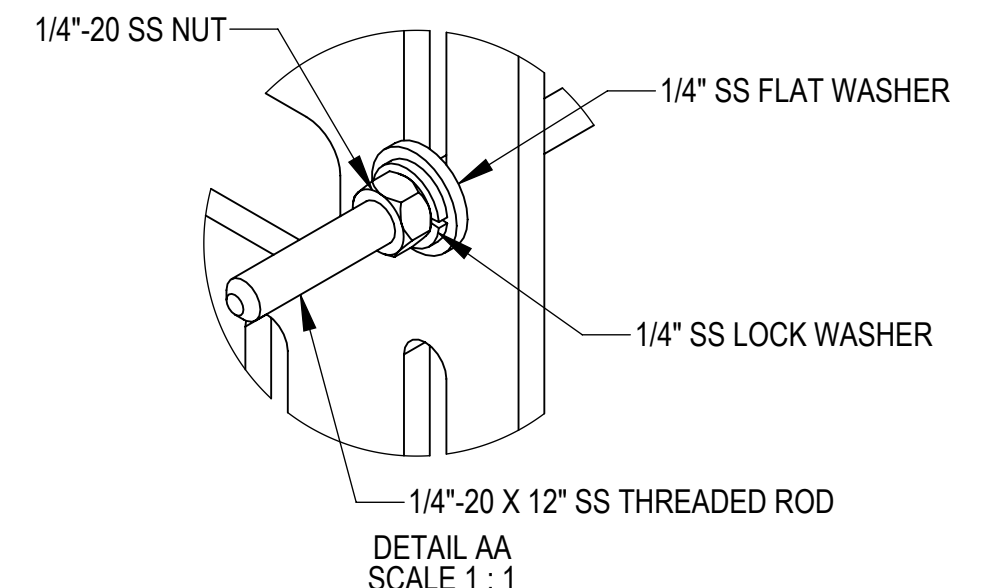
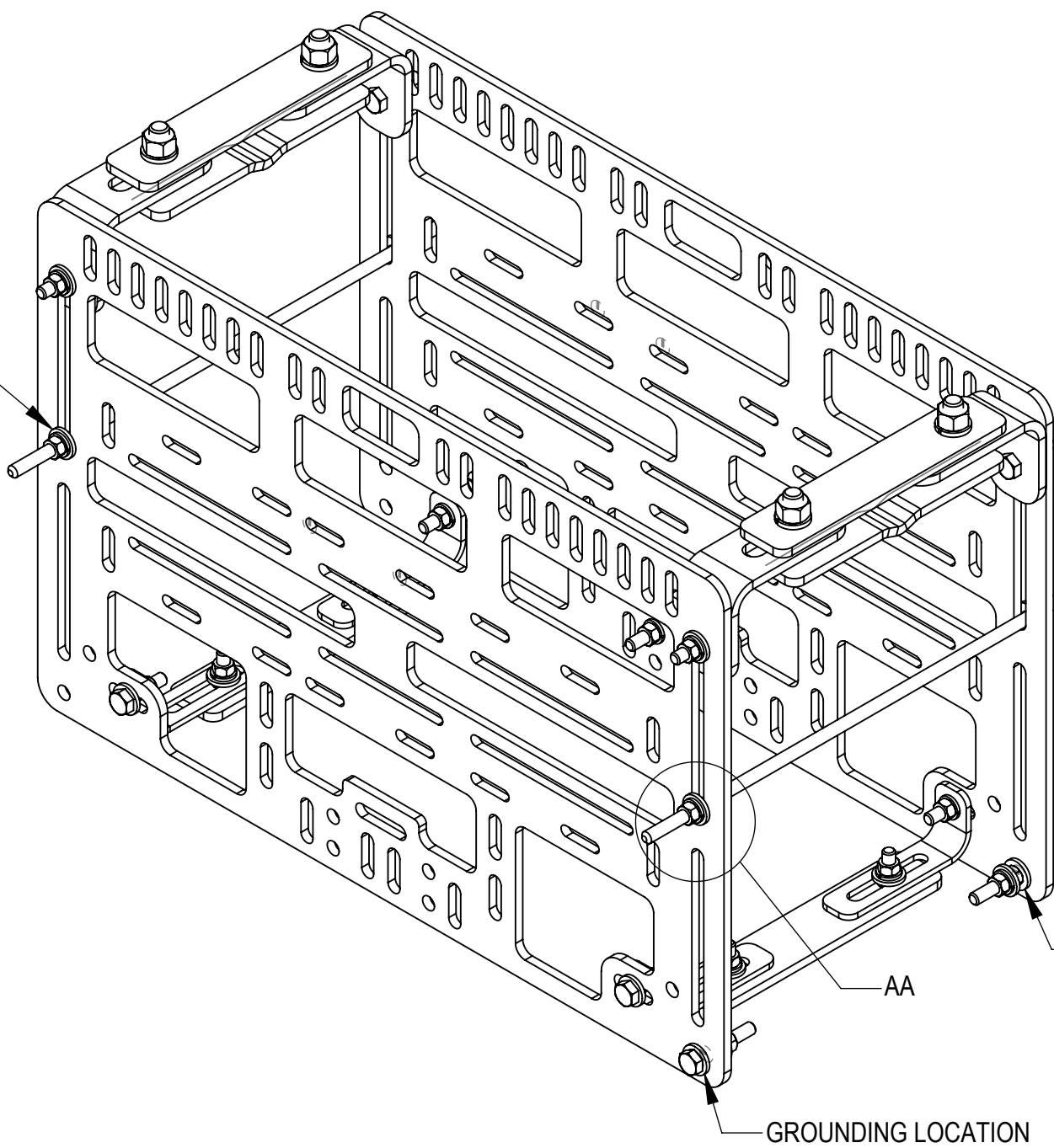
- 1.0 GENERAL
  - 1.1 ALL METRIC DIMENSIONS ARE IN BRACKETS
  - 1.2 FOR PATENT INFO :<https://www.cs-pat.com>
- 2.0 DESIGN NOTES
- 3.0 MANUFACTURING/SPECIAL REQUIREMENTS
  - 3.1 TORQUE 1/4" HARDWARE 7 FT-LBS
  - TORQUE 3/8" HARDWARE 25 FT-LBS
- 4.0 TEST
- 5.0 PACKAGING

REVISIONS				
REV.	ECN	DESCRIPTION	BY	DATE
A	8000044717	INITIAL RELEASE	RJC	01/11/21

PARTS ARE USED FOR INSTALLATION PURPOSES AND MUST BE REMOVED AFTER INSTALLATION



PARTS ARE USED FOR INSTALLATION PURPOSES AND MUST BE REMOVED AFTER INSTALLATION

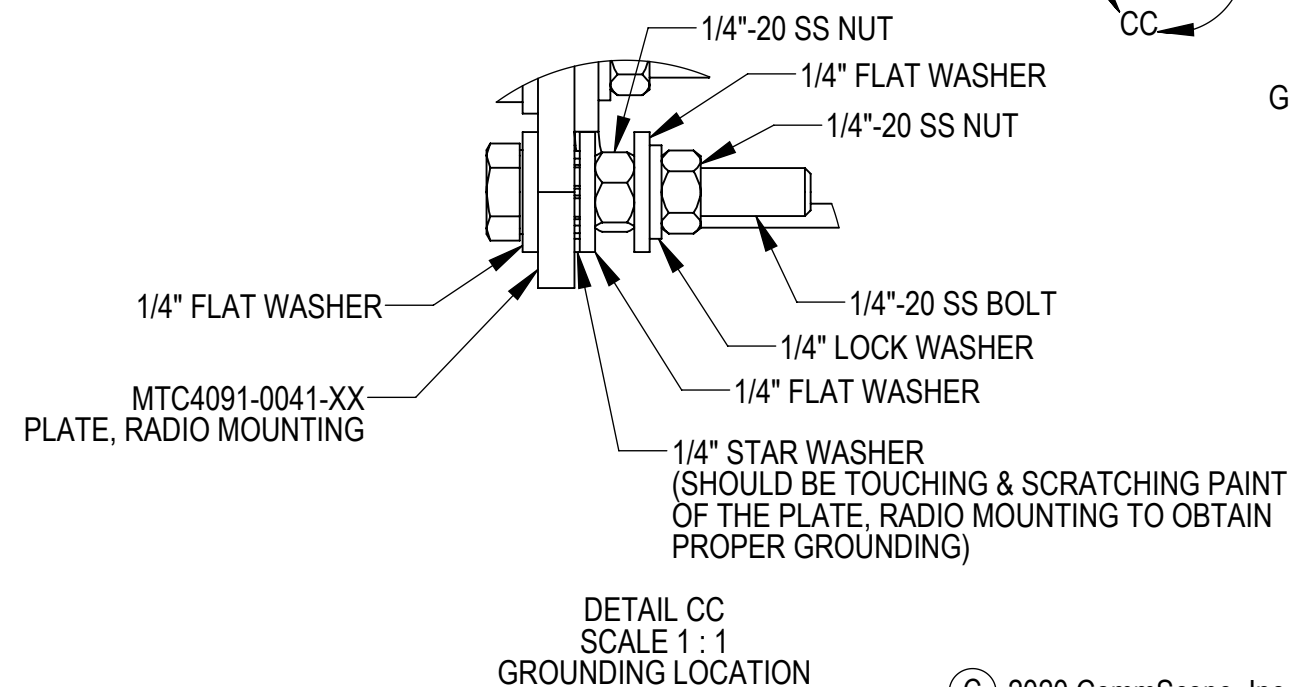
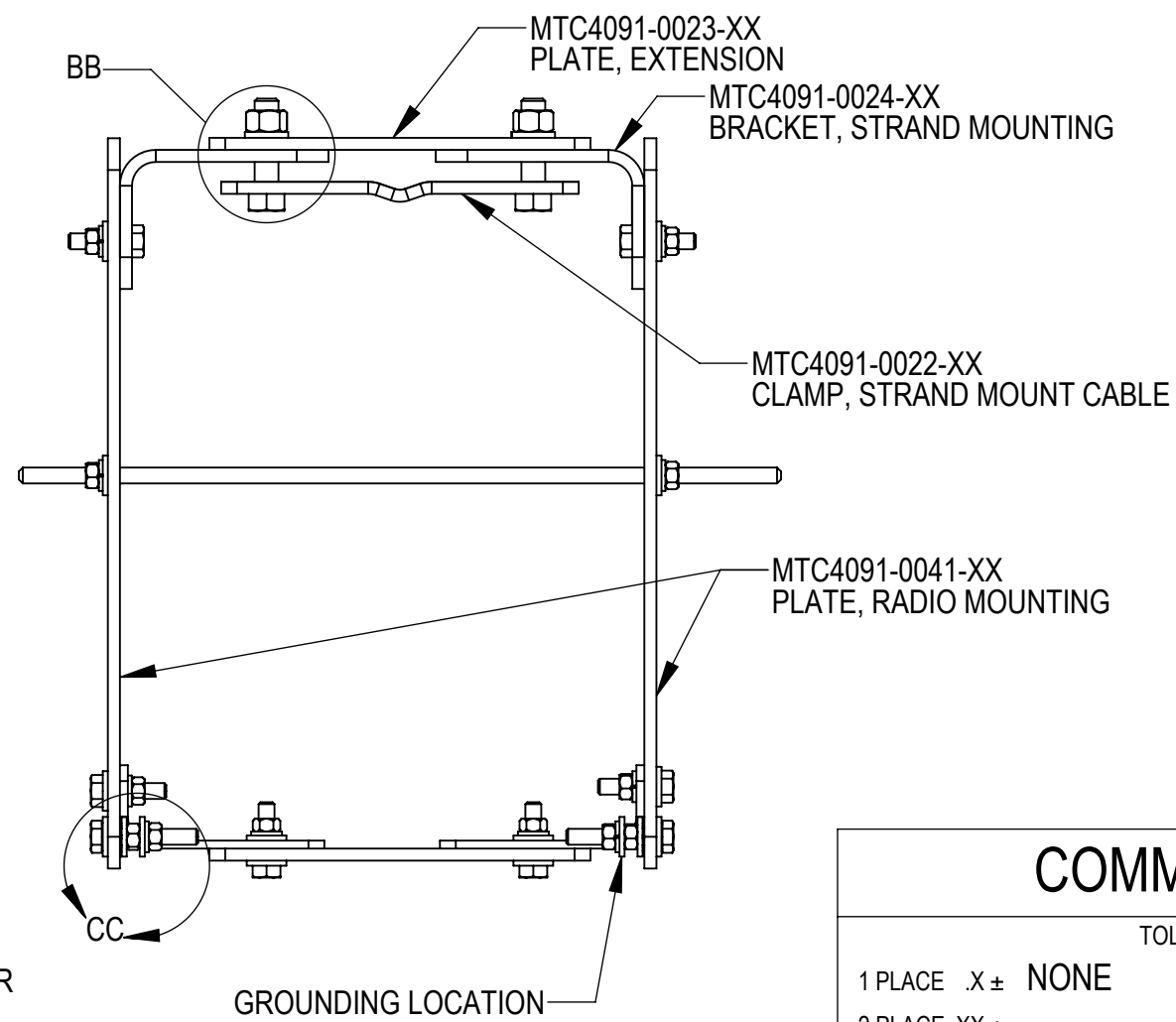
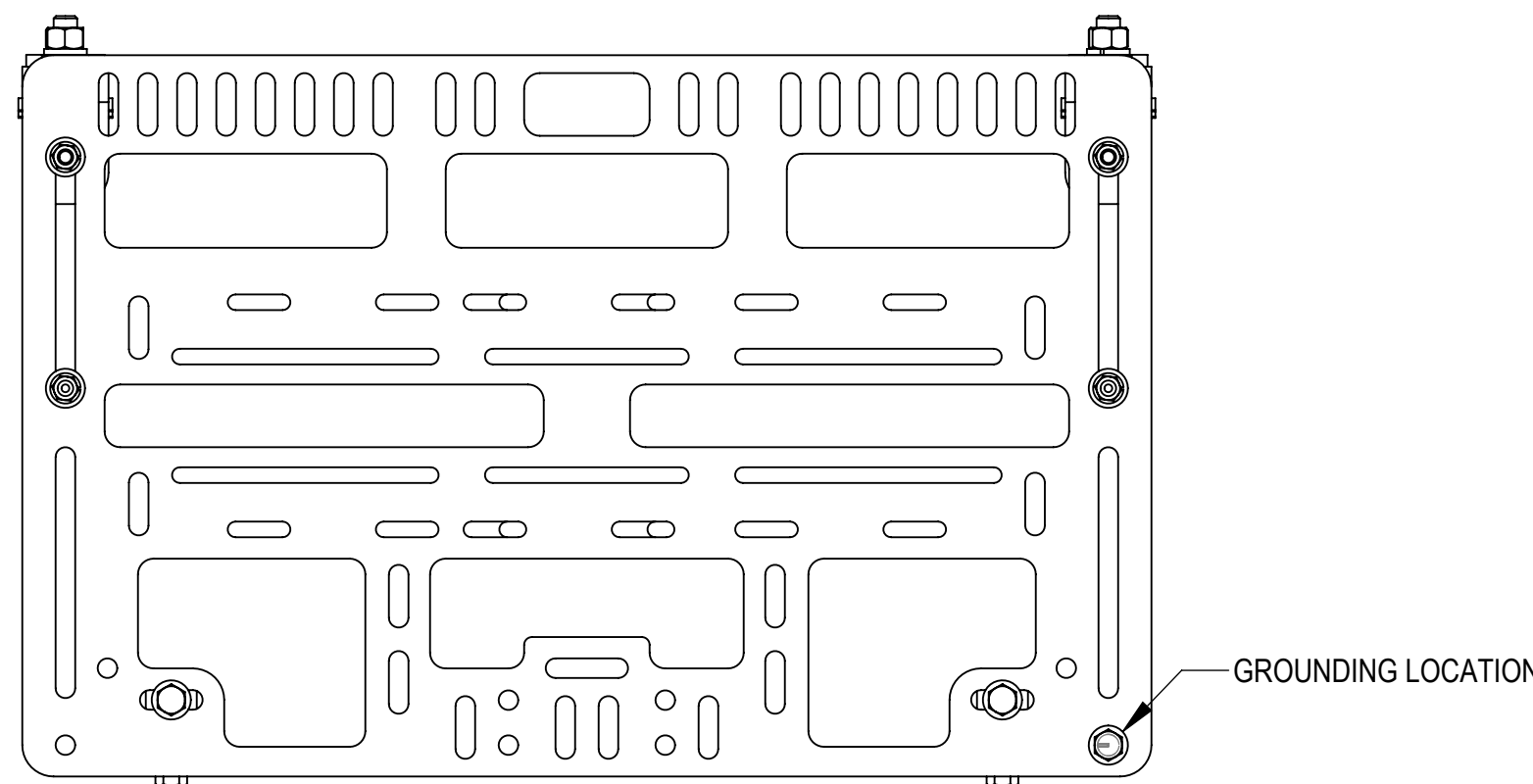


PARTS ARE USED FOR INSTALLATION PURPOSES AND MUST BE REMOVED AFTER INSTALLATION

MAIN STRUCTURE OF KIT

COMMSCOPE, INC. OF NORTH CAROLINA

TOLERANCES		SAP MATERIAL MASTER	
1 PLACE .X±	NONE	3 PLACE .XXX±	SCSTSU-ASM-INSTR
2 PLACE .XX±		ANGLES ±	
FINISH NONE		MATERIAL SEE SCSTSU-301-S DRAWING	
UNLESS OTHERWISE SPECIFIED DIMENSIONS ARE IN INCHES INTERPRET PER ANSI Y 14.5M-1994	NAME	DATE	TITLE
	CE RJC	11/17/20	INSTRUCTION, SMALL CELL STRAND MT ASSY
	RW BCAMPBELLCON	01/18/2021	
	RV ROGHANSON	01/18/2021	
	AD BCROSS	01/18/2021	
RE			
ECN 008000044717	SCALE 1:3	DOCUMENT NO. SCSTSU-ASM-INSTR	
SIZE WORK AREA 24	MODEL		DRAWING
C	VERSION 04	STATUS RE	REVISION B
	VERSION 00	STATUS RE	REVISION A
SHEET 1 OF 8			



DENSITY	16.46	lbs/in <sup>3</sup>
MASS	154.37	lbs
VOLUME	2140.15	in <sup>3</sup>
SURFACE AREA		in <sup>2</sup>
HEIGHT		
LENGTH		
WIDTH		

4

3

2

1

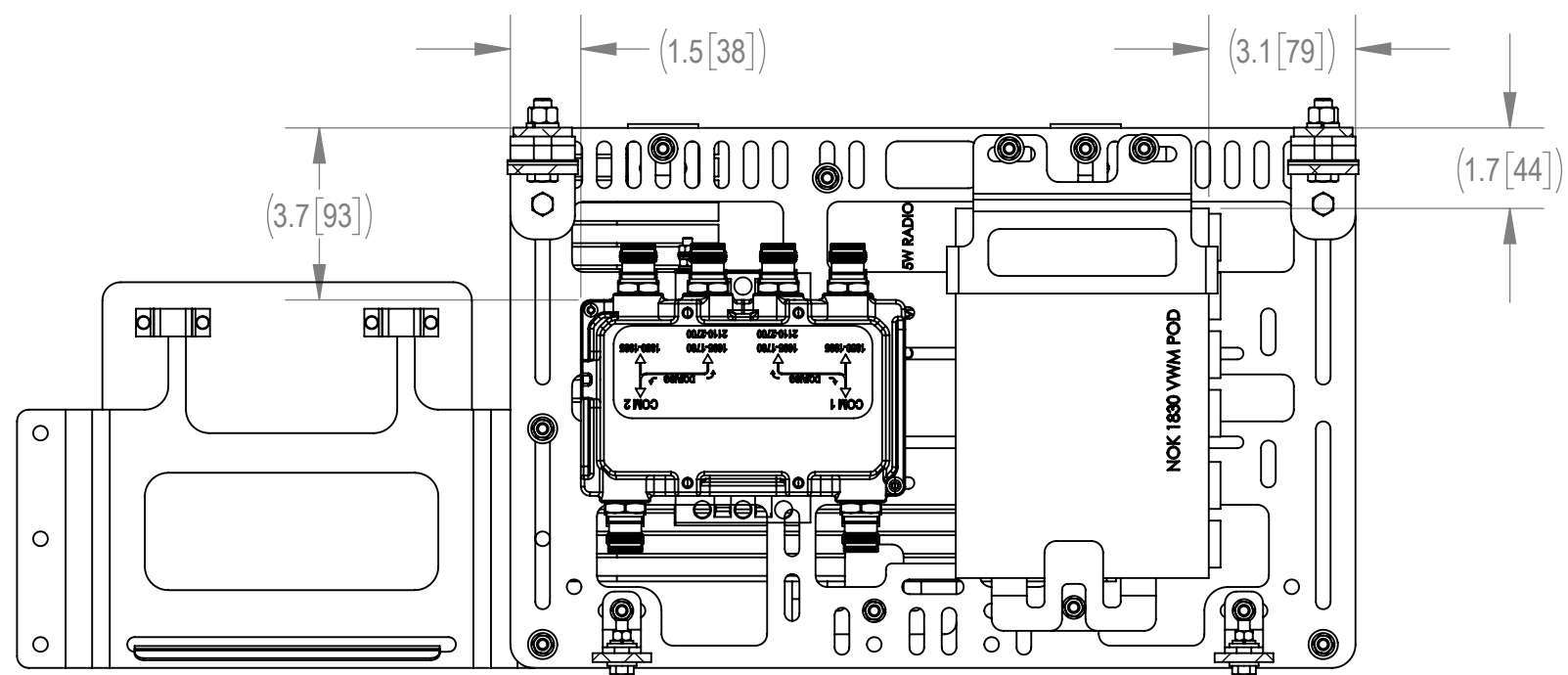
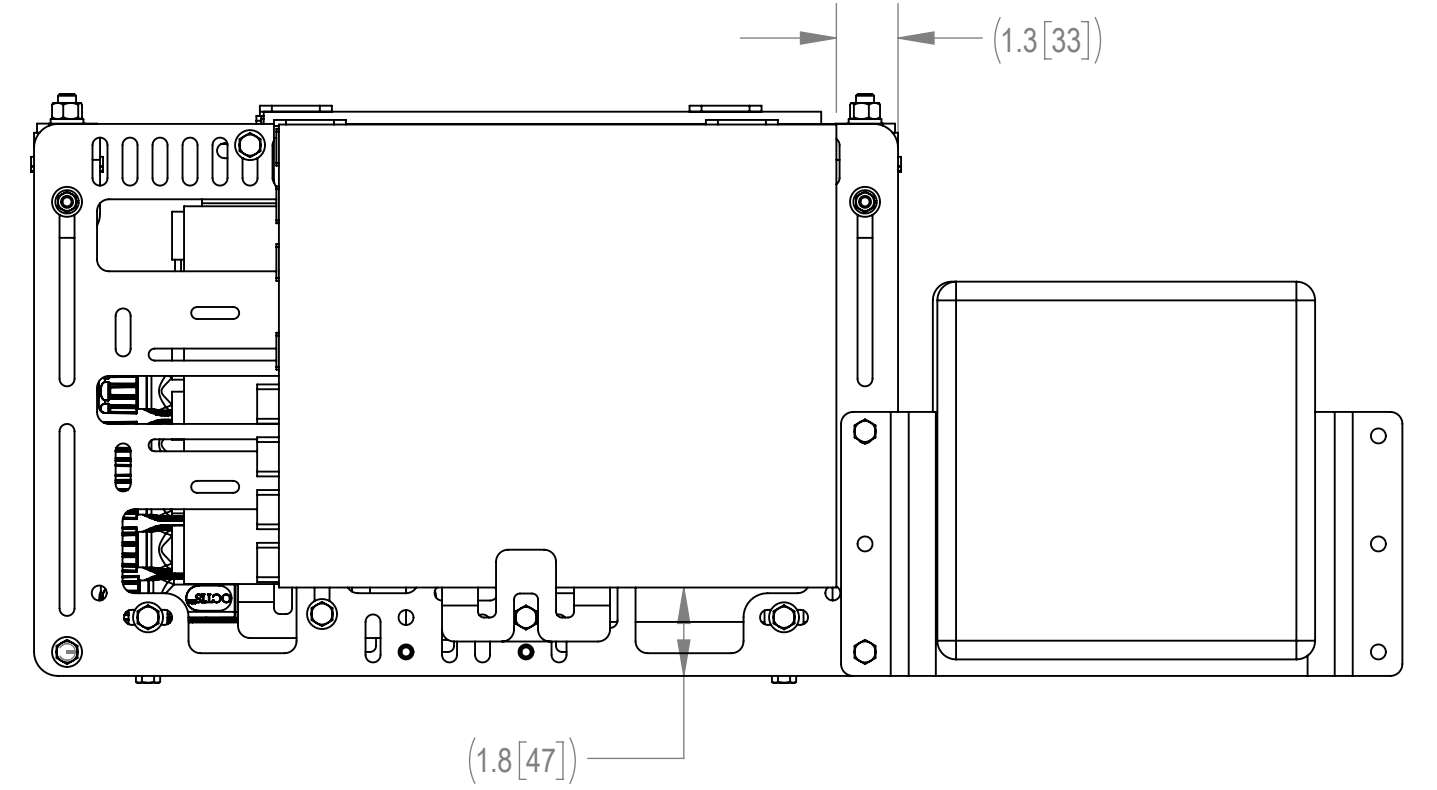
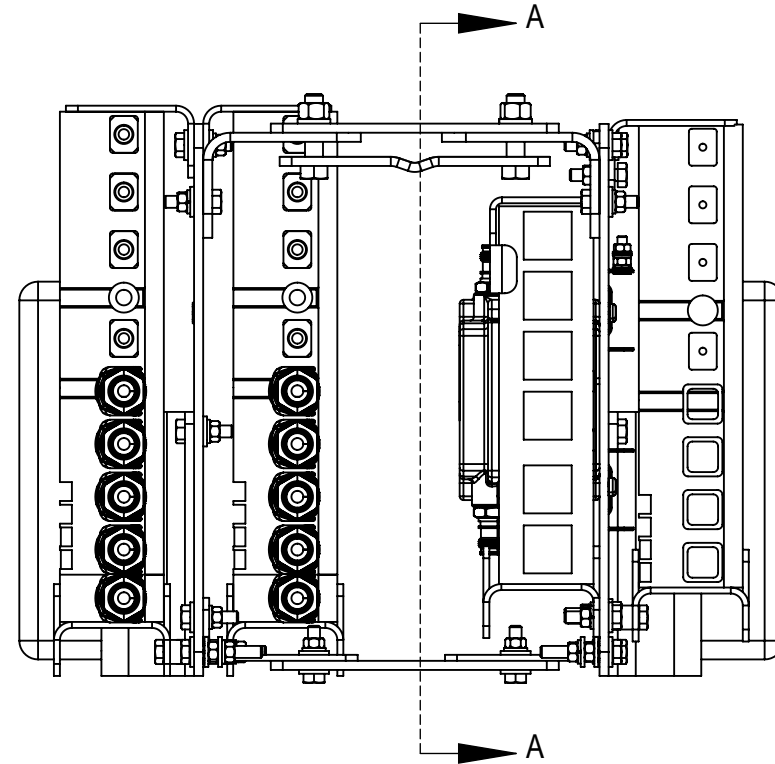
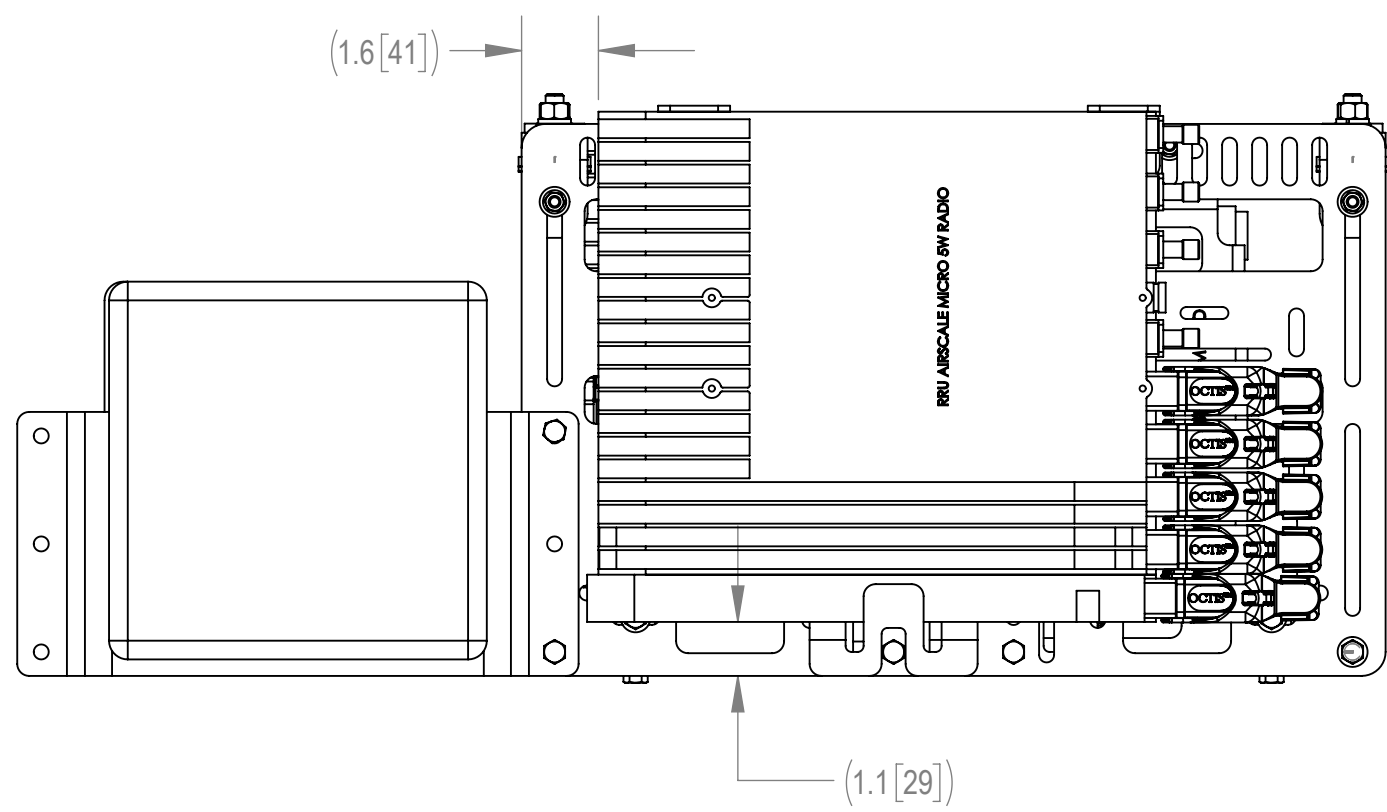
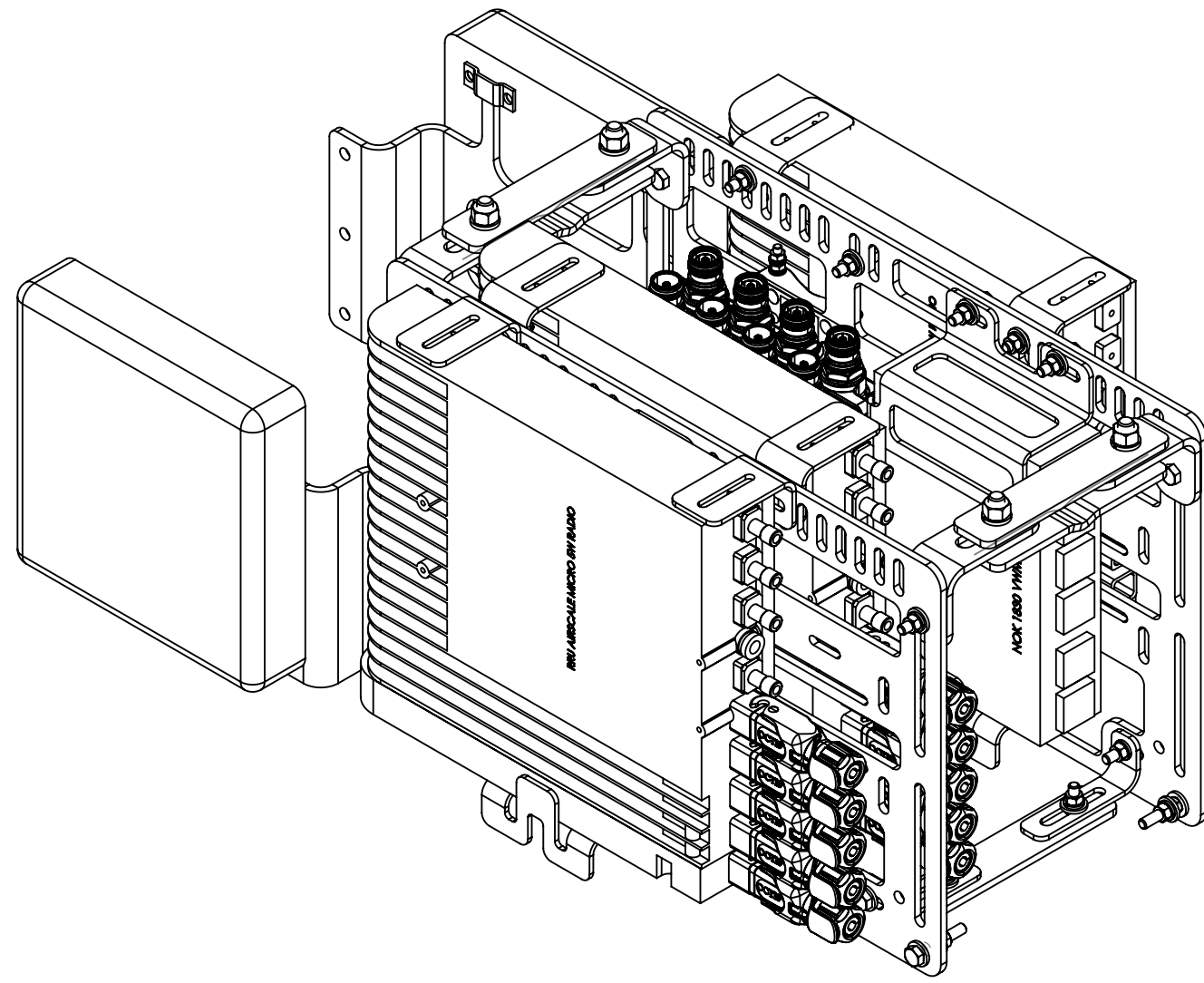
4

3

2

1

NOTES:



SECTION A-A  
SCALE 1:4

### CONFIGURATION FOR MOUNTING NOKIA 5W AIRSCALE RADIO

COMMSCOPE, INC. OF NORTH CAROLINA				
TITLE INSTRUCTION, SMALL CELL STRAND MT ASSY				
SIZE <b>C</b>	SCALE <b>1:4</b>	DOCUMENT NO. <b>SCSTSU-ASM-INSTR</b>		
		DRAWING		SHEET
		VERSION	STATUS	REVISION
		00	RE	A
				2 OF 8

4

3

2

1

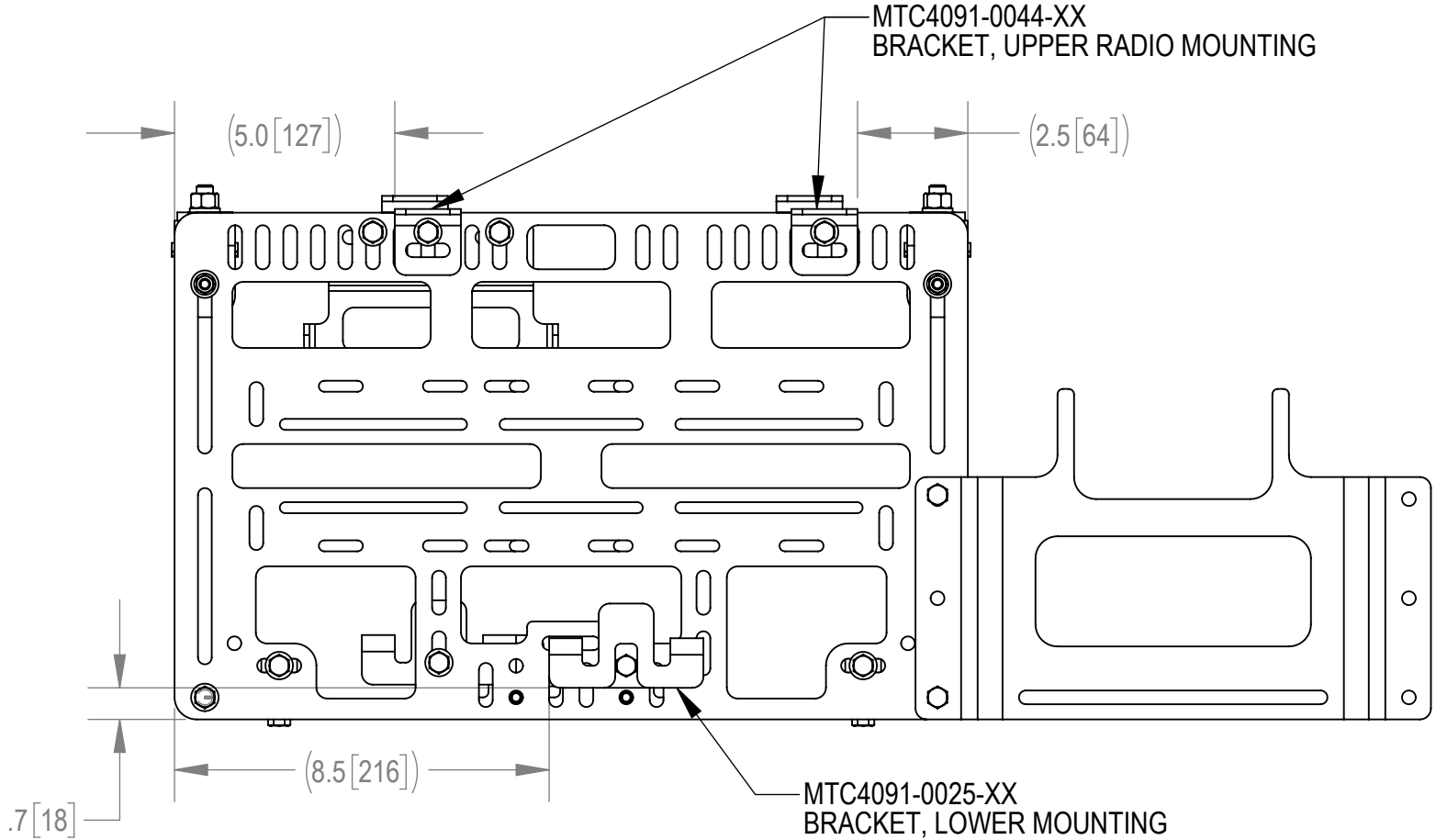
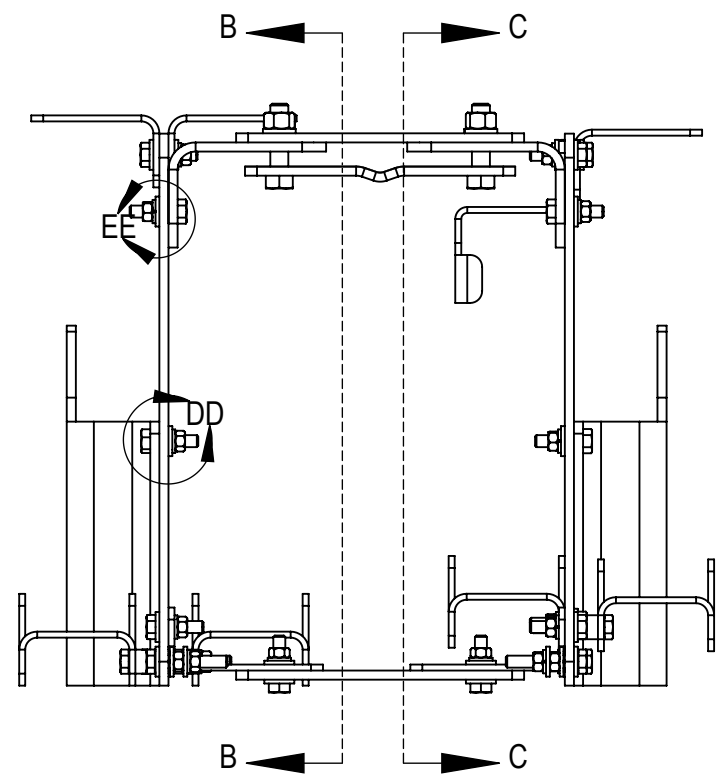
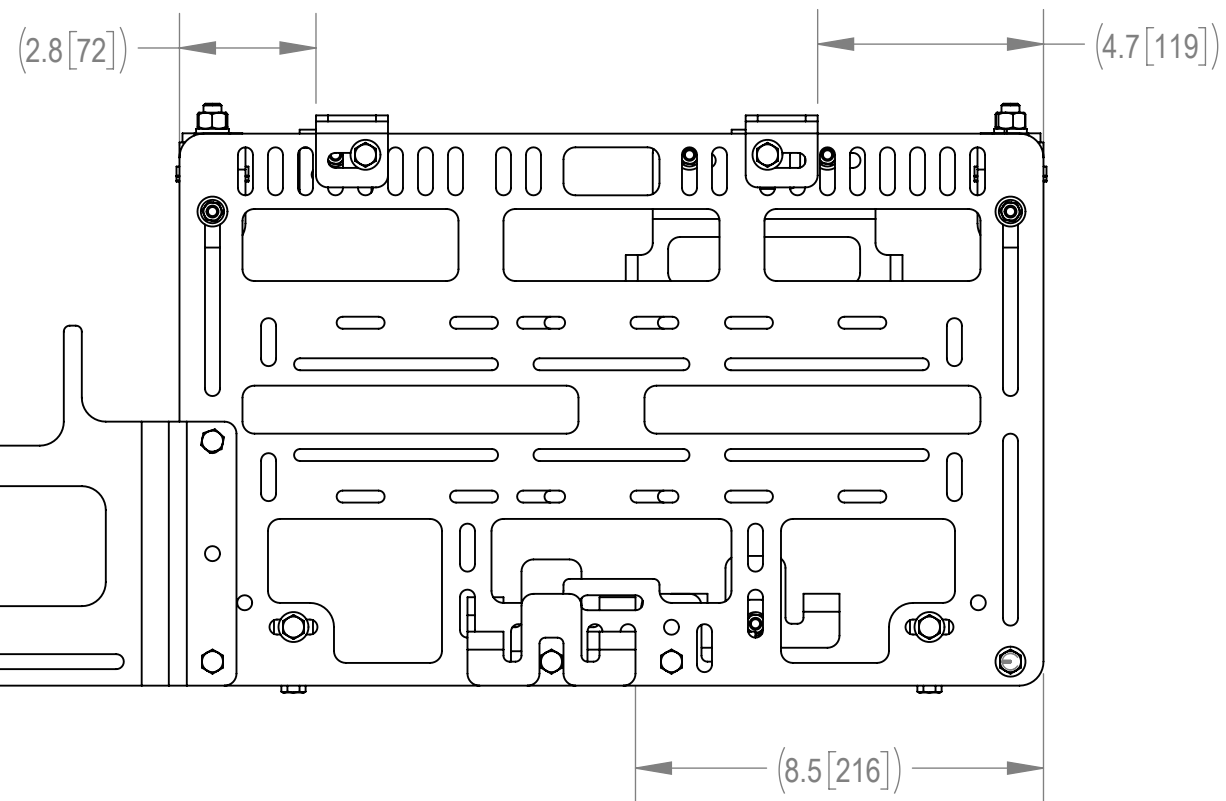
4

3

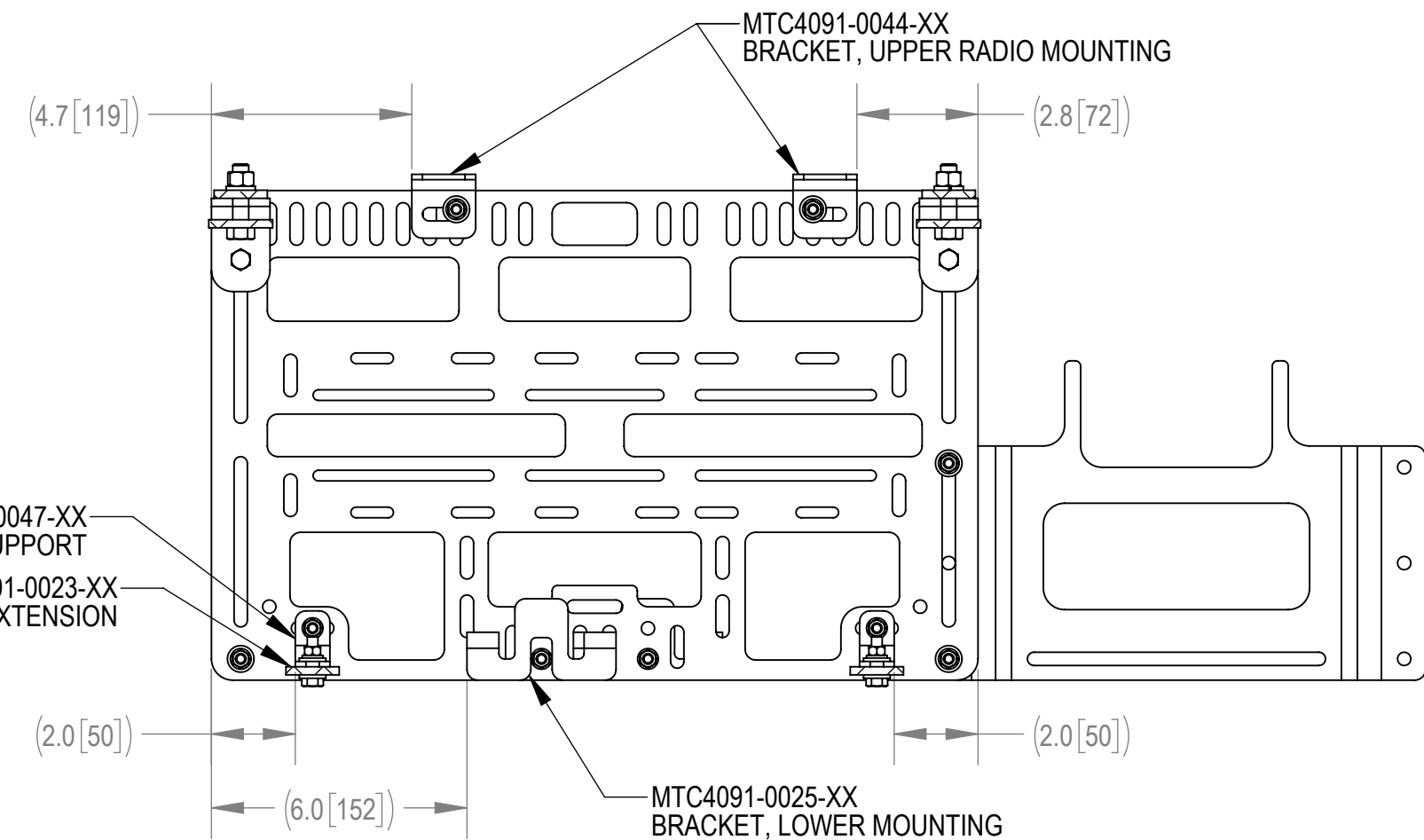
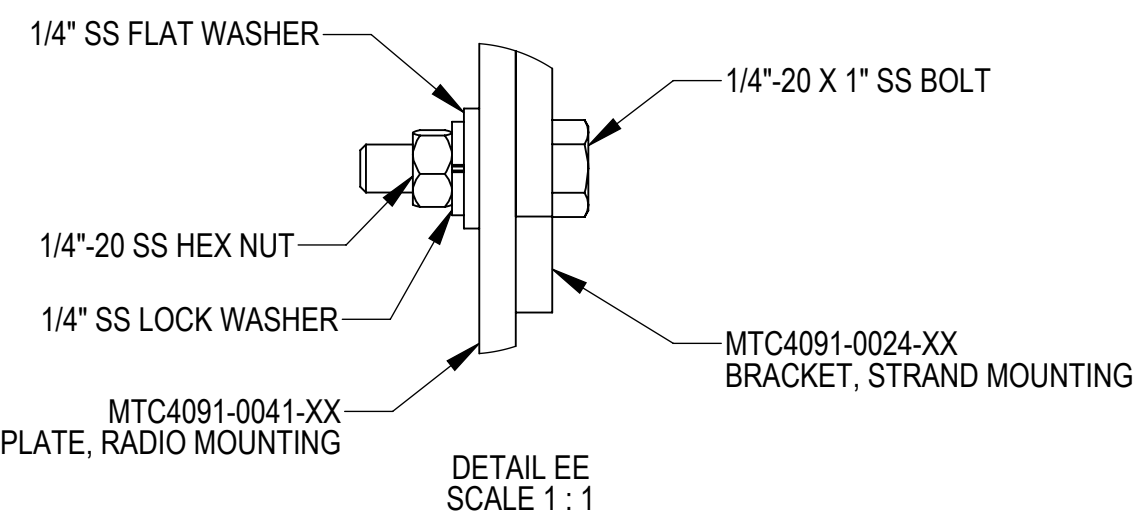
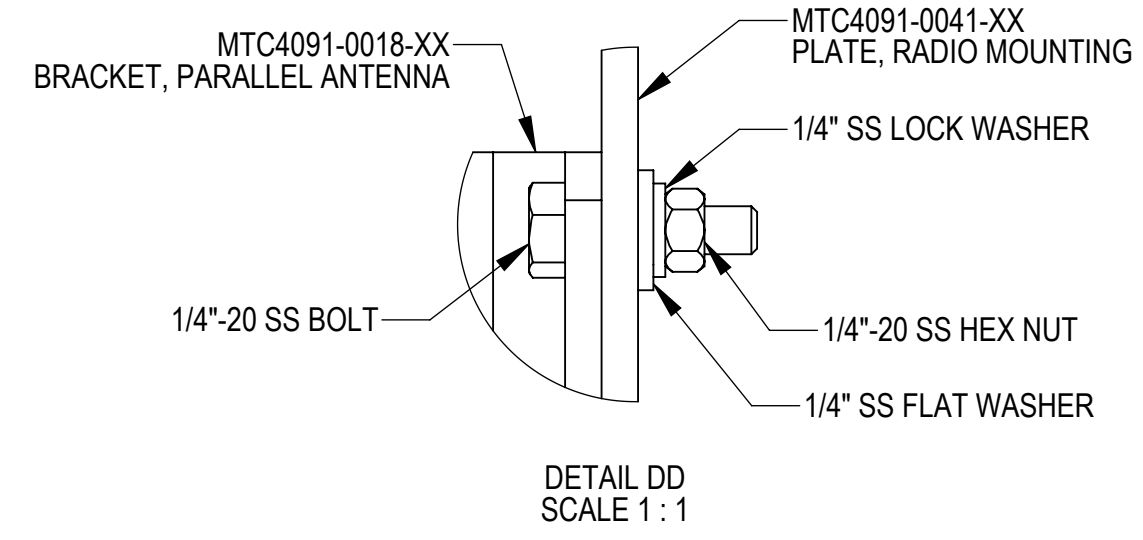
2

1

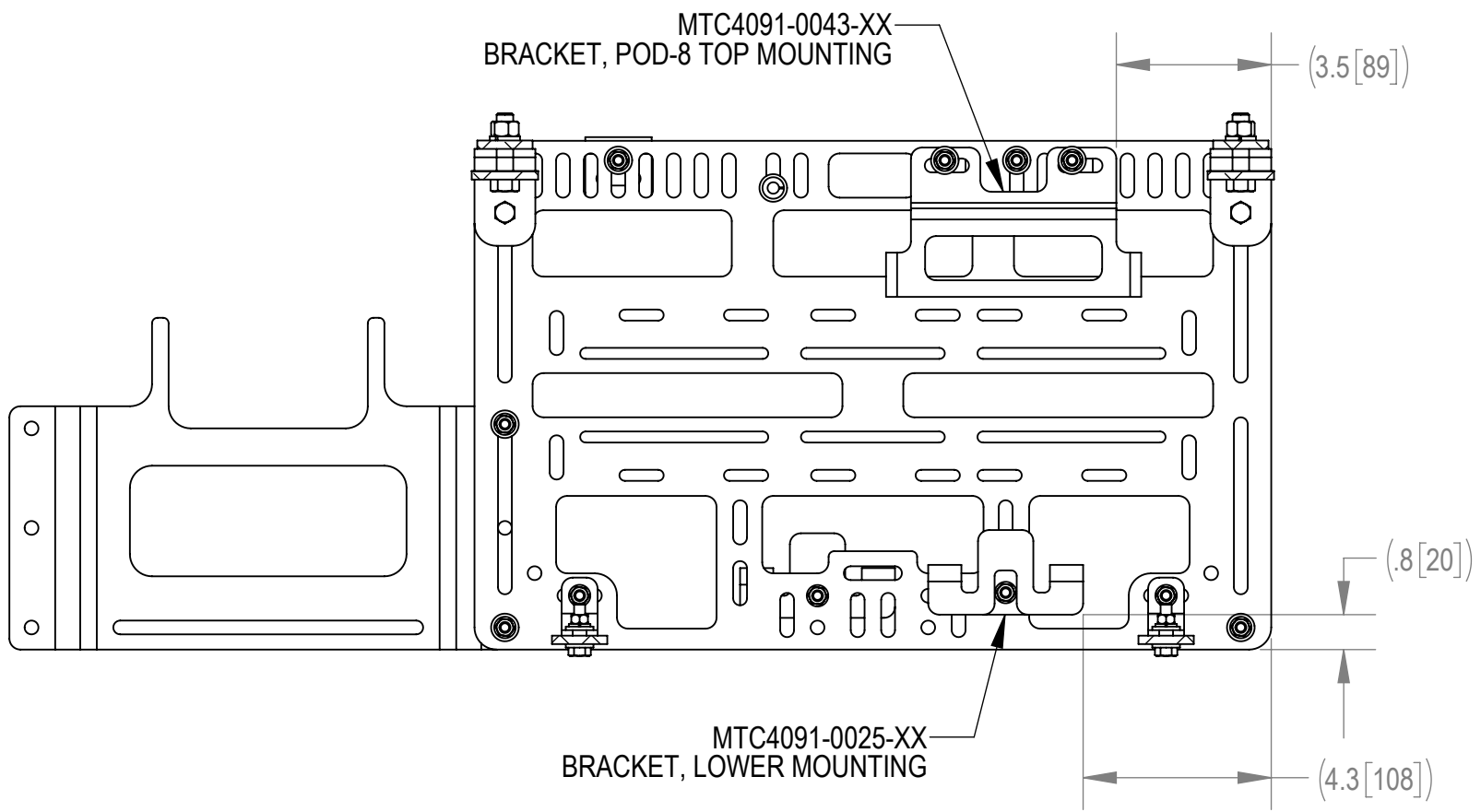
NOTES:



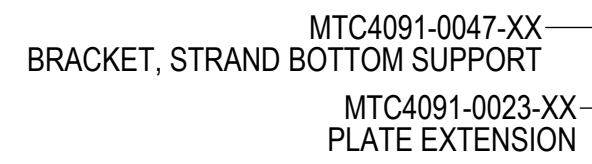
VIEW - CONFIGURATION FOR MOUNTING RADIO WITHOUT BATTERY



SECTION B-B



SECTION C-C



### CONFIGURATION FOR MOUNTING NOKIA 5W AIRSCALE RADIO

COMMSCOPE, INC. OF NORTH CAROLINA				
TITLE INSTRUCTION, SMALL CELL STRAND MT ASSY				
SIZE <b>C</b>	SCALE <b>1:4</b>	DOCUMENT NO. <b>SCSTSU-ASM-INSTR</b>		
DRAWING		VERSION	STATUS	REVISION
		00	RE	A
SHEET 3 OF 8				

4

3

2

1

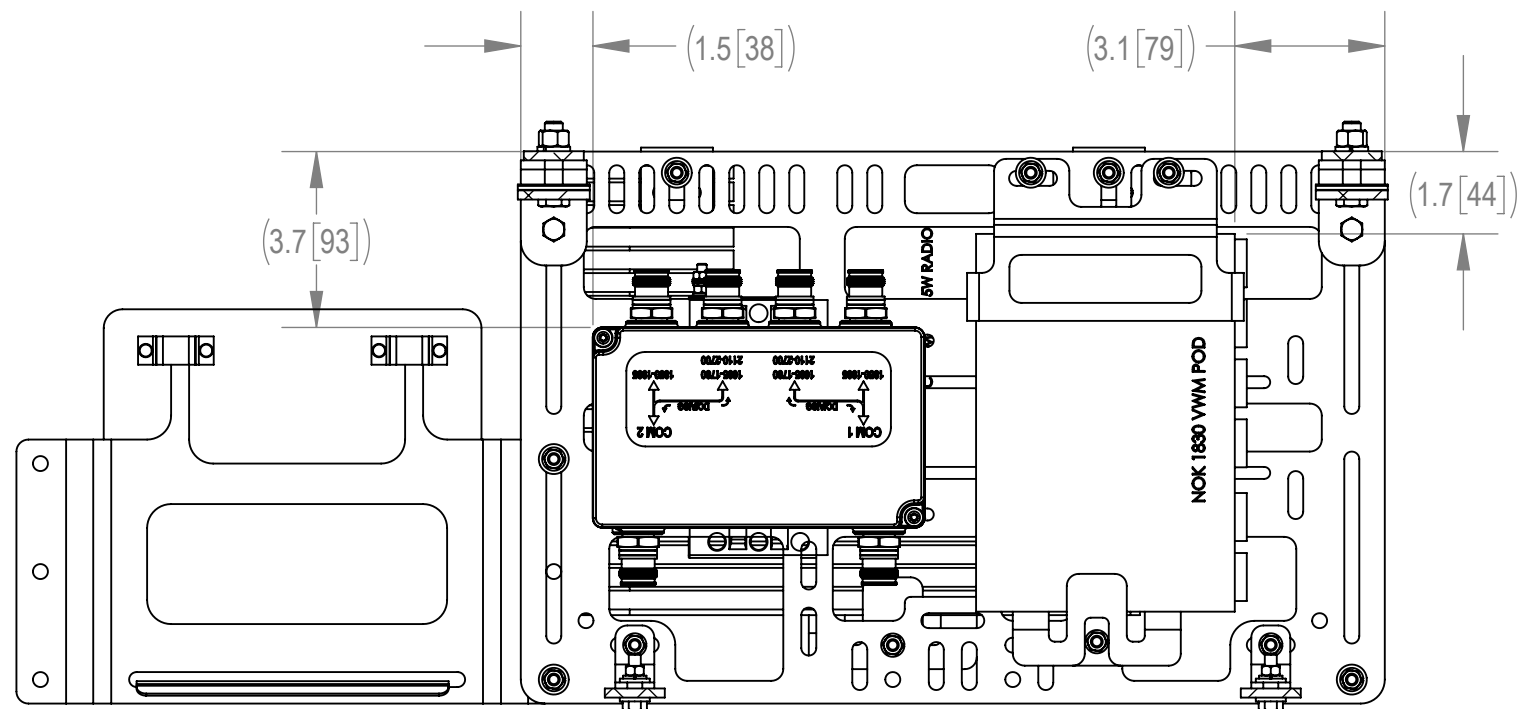
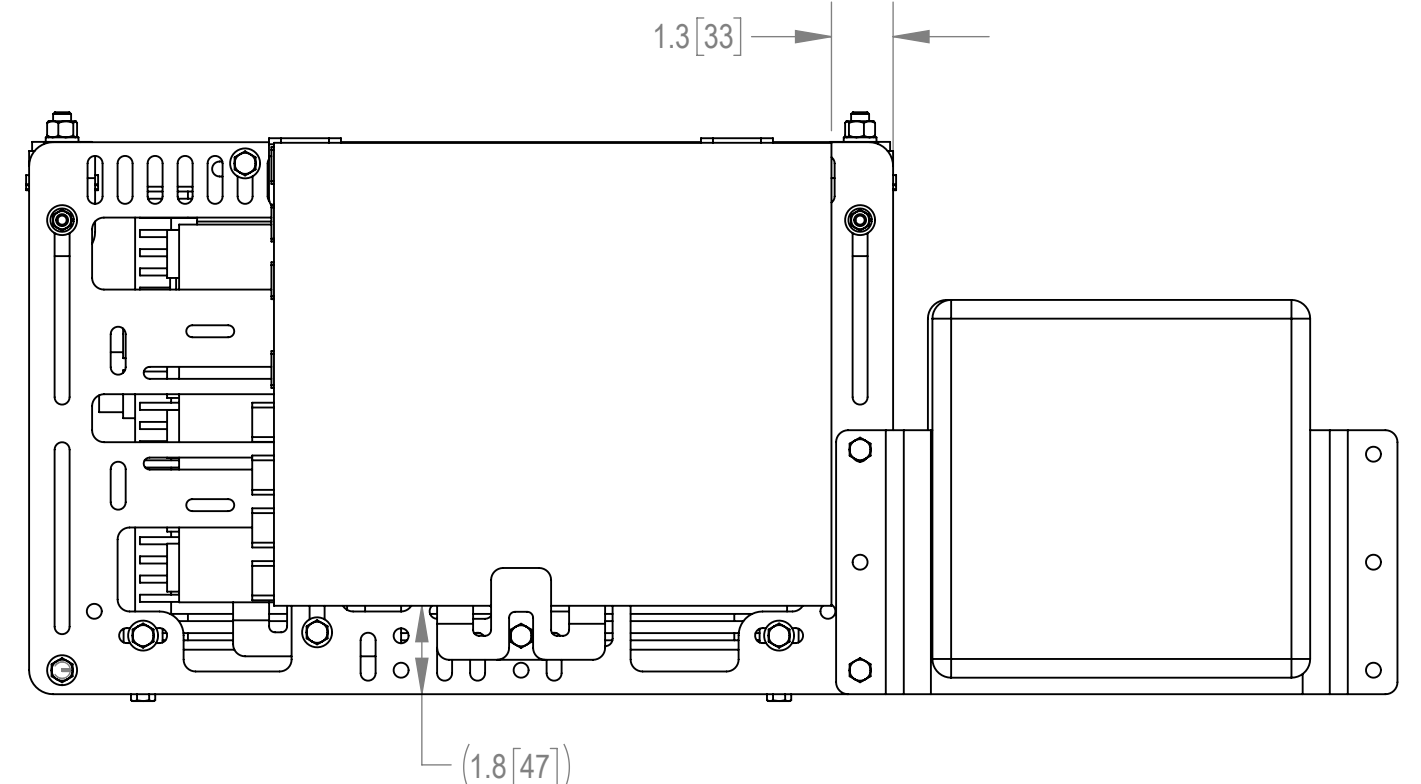
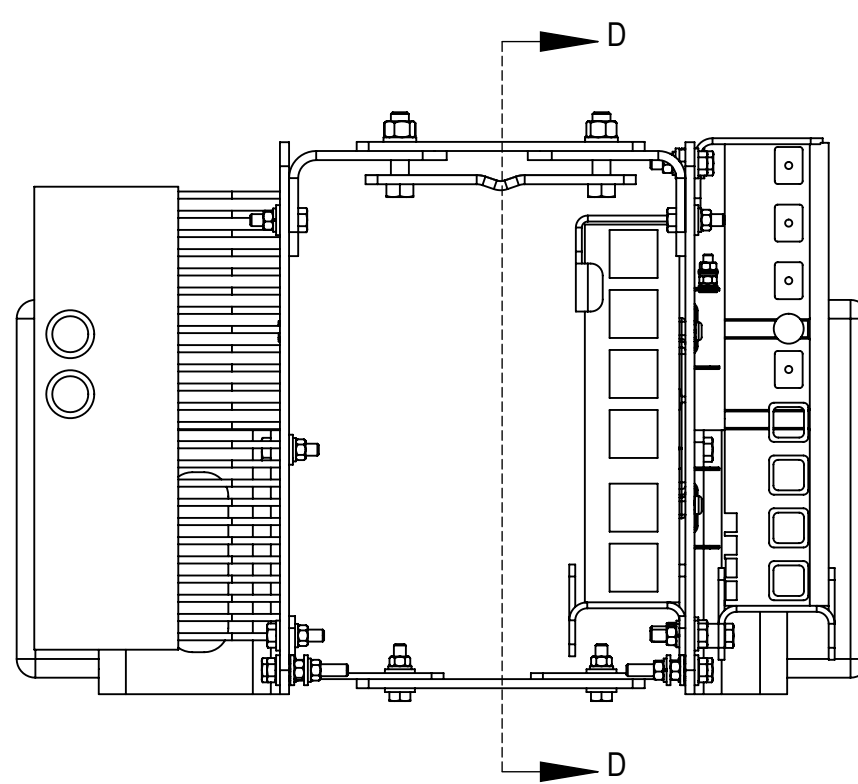
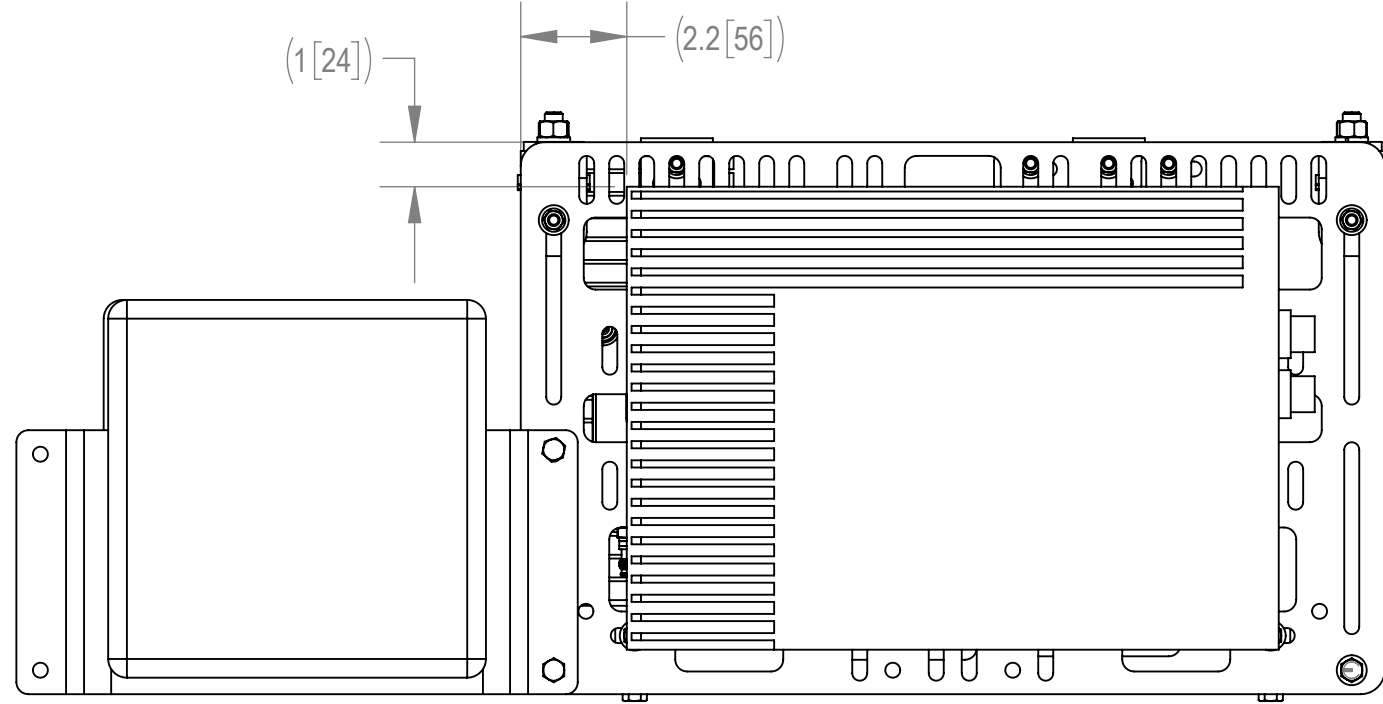
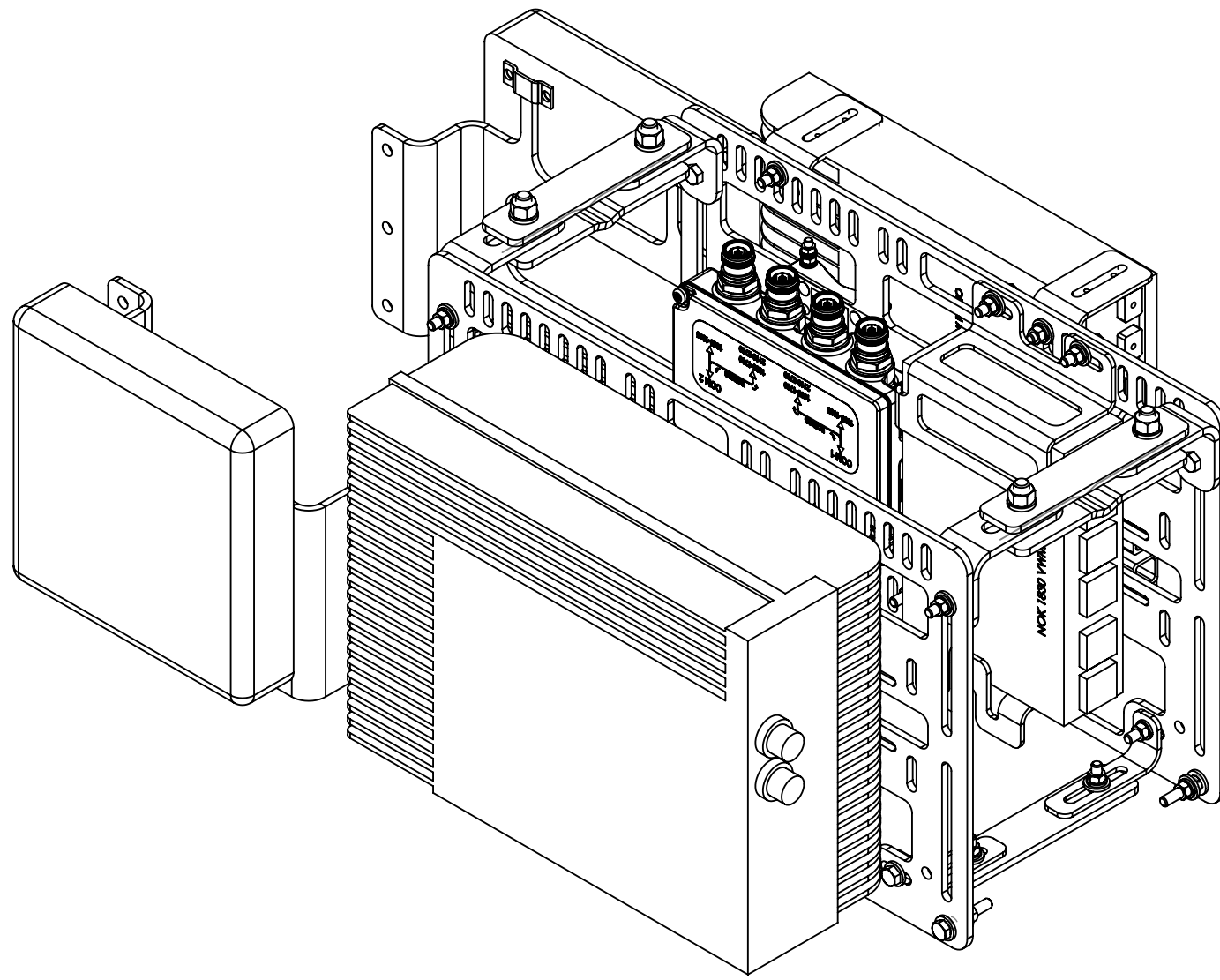
4

3

2

1

NOTES:



SECTION D-D

### CONFIGURATION FOR MOUNTING NOKIA 20W AWHHF RADIO

COMMSCOPE, INC. OF NORTH CAROLINA				
TITLE INSTRUCTION, SMALL CELL STRAND MT ASSY				
SIZE <b>C</b>	SCALE <b>1:4</b>	DOCUMENT NO. <b>SCSTSU-ASM-INSTR</b>		
		DRAWING		SHEET
		VERSION	STATUS	REVISION
		00	RE	A
				4 OF 8

4

3

2

1

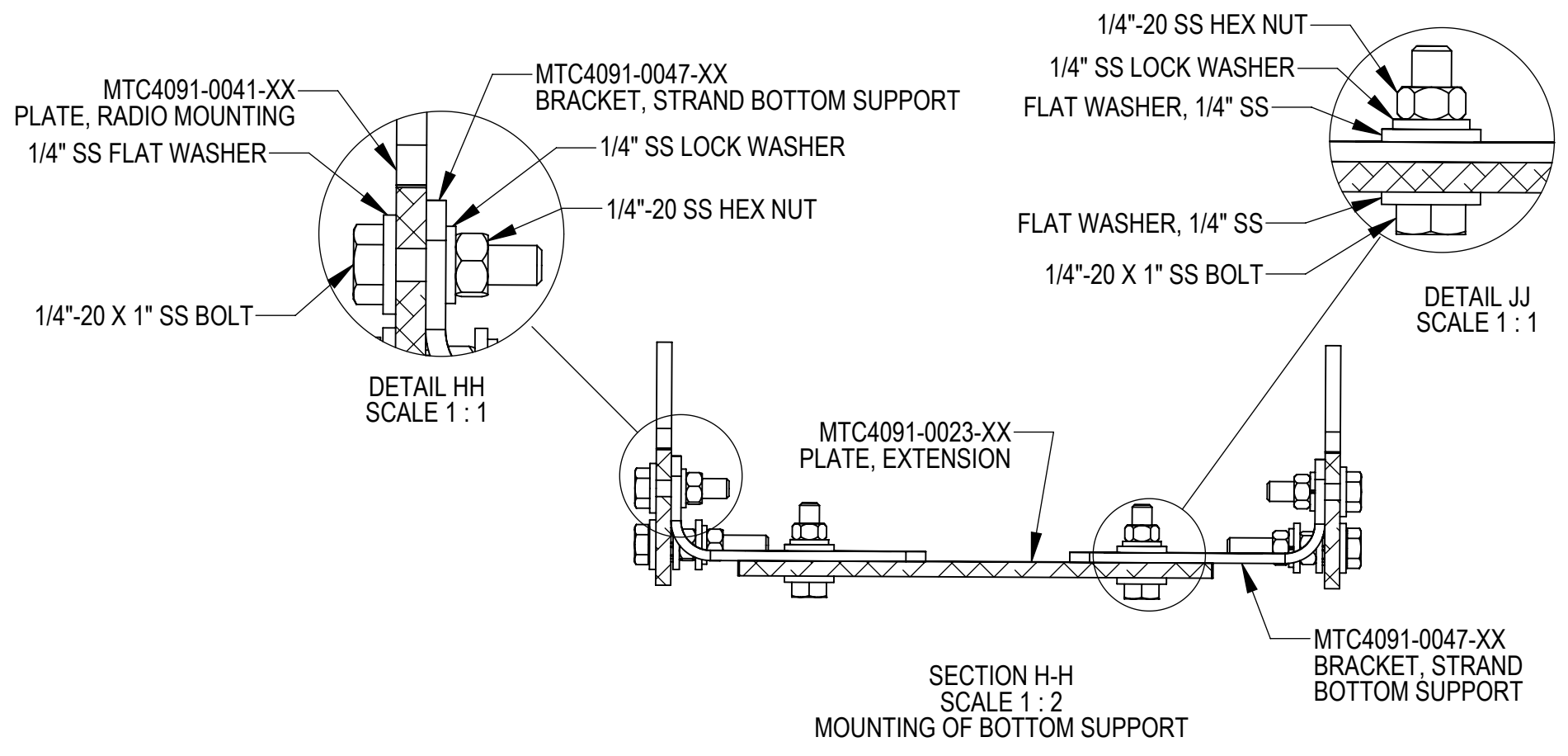
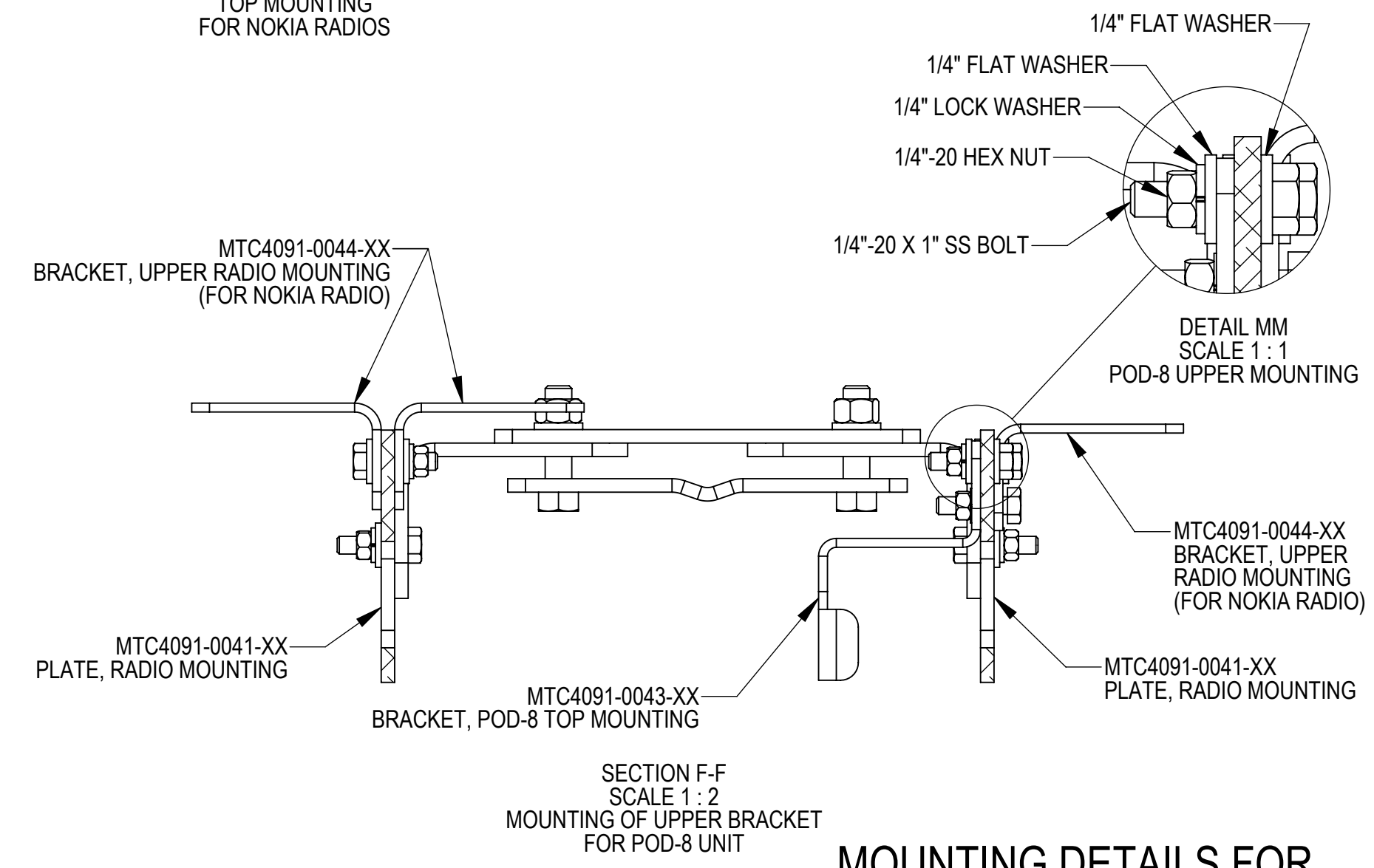
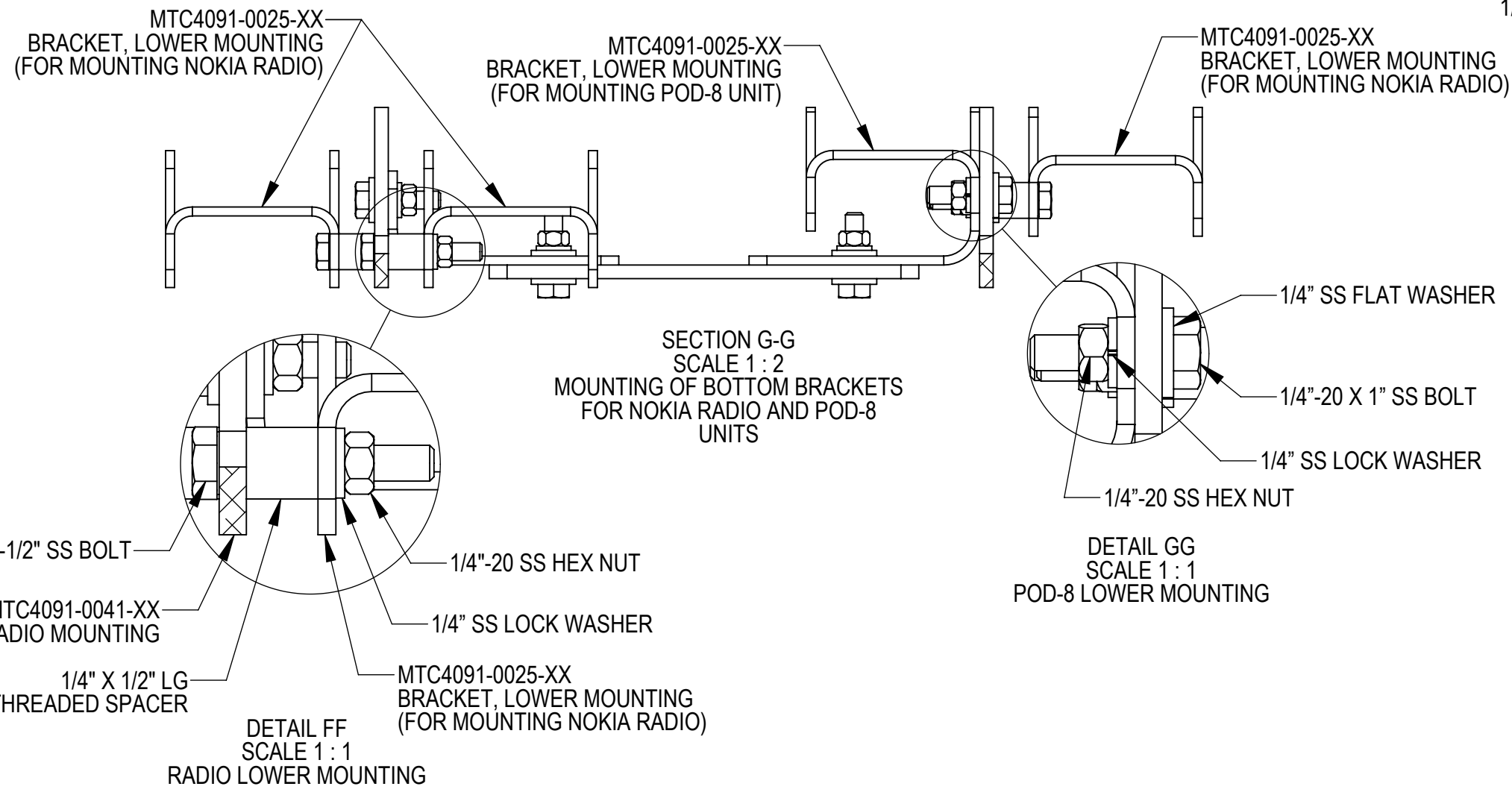
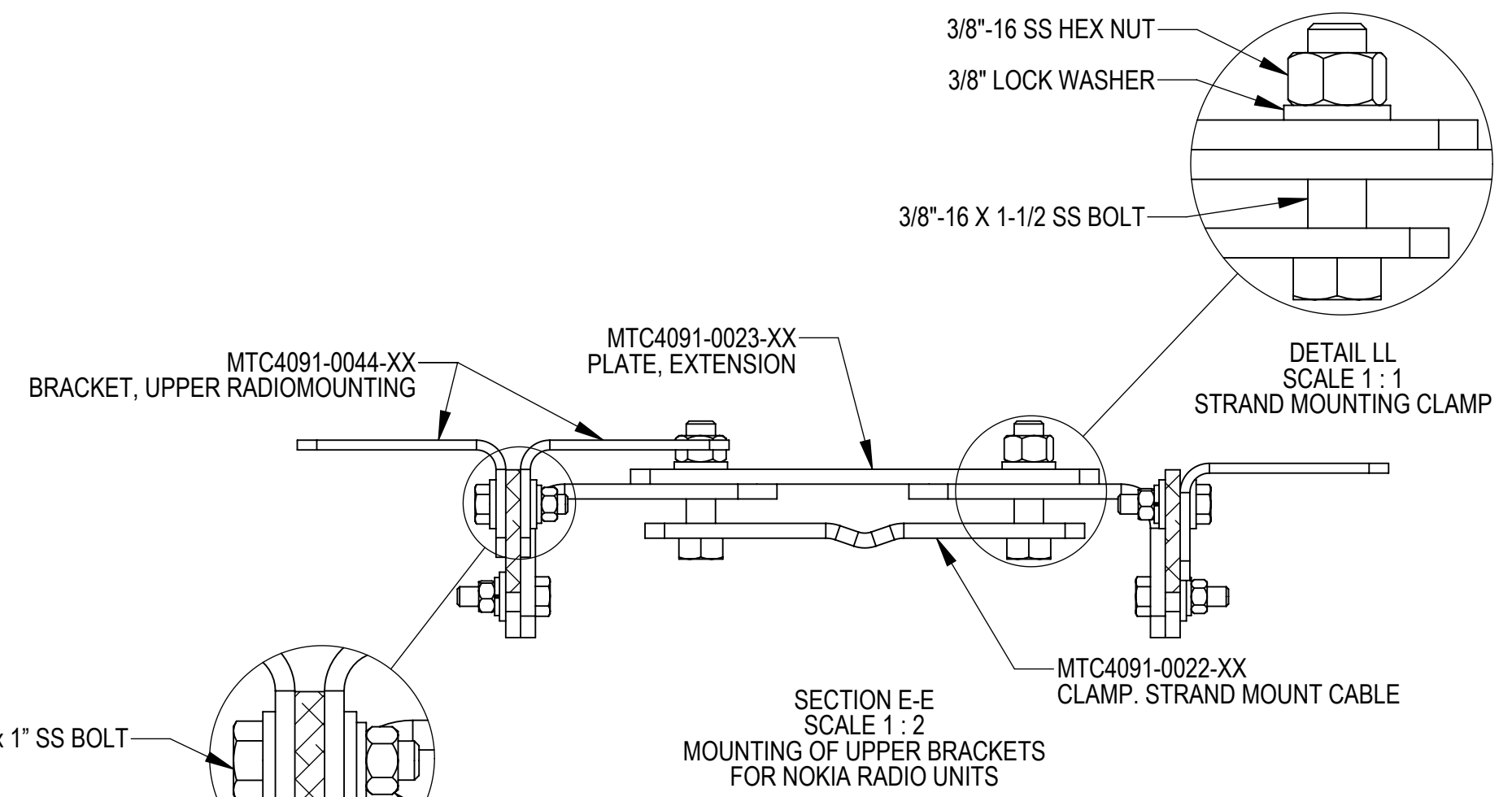
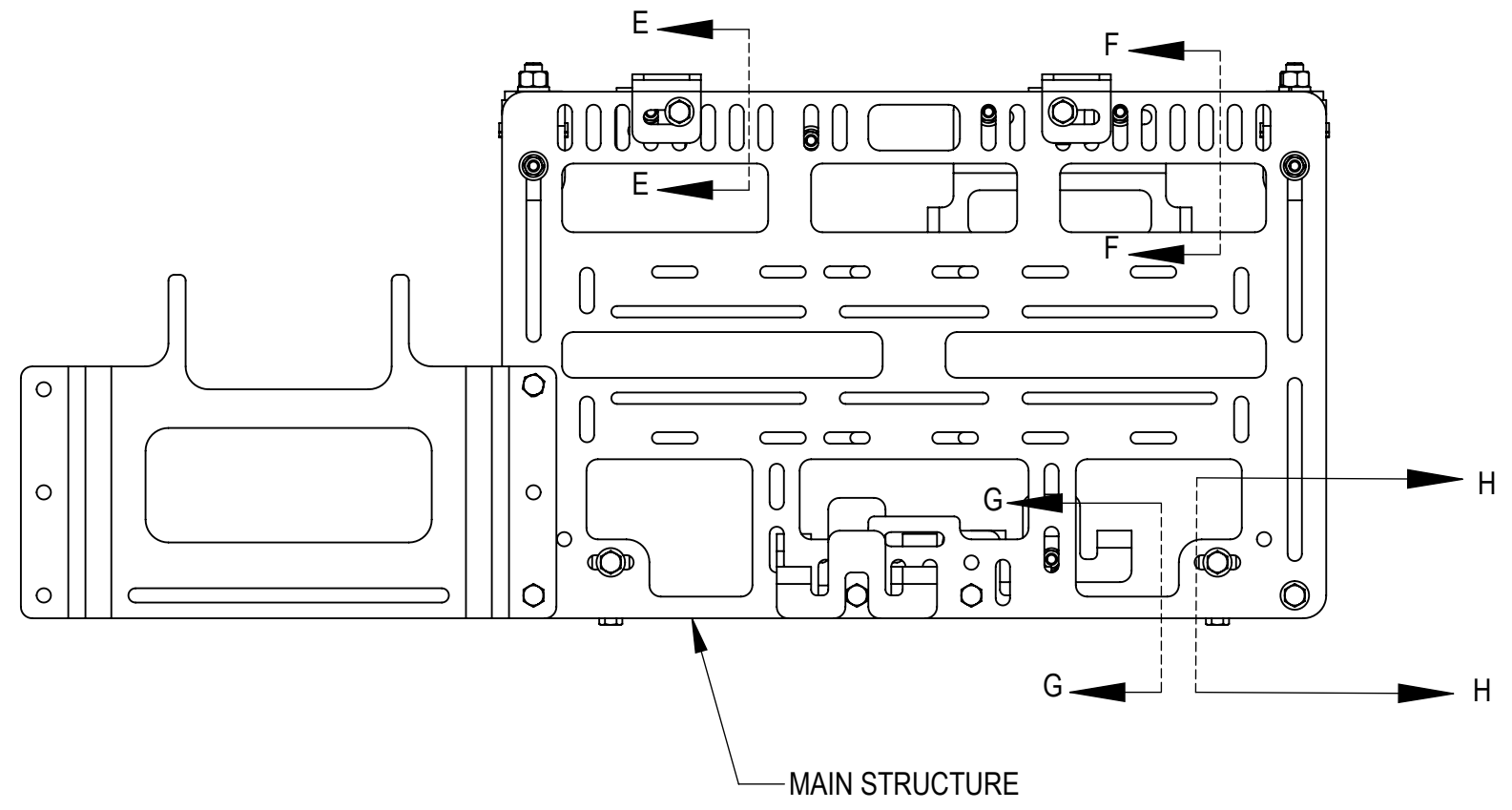
4

3

2

1

NOTES:



### MOUNTING DETAILS FOR MOUNTING BRACKETS TO THE PLATE, RADIO MOUNTING

COMMSCOPE, INC. OF NORTH CAROLINA				
TITLE INSTRUCTION, SMALL CELL STRAND MT ASSY				
SIZE <b>C</b>	SCALE <b>1:3</b>	DOCUMENT NO. <b>SCSTSU-ASM-INSTR</b>		
		DRAWING		SHEET
		VERSION	STATUS	REVISION
		00	RE	A
				5 OF 8

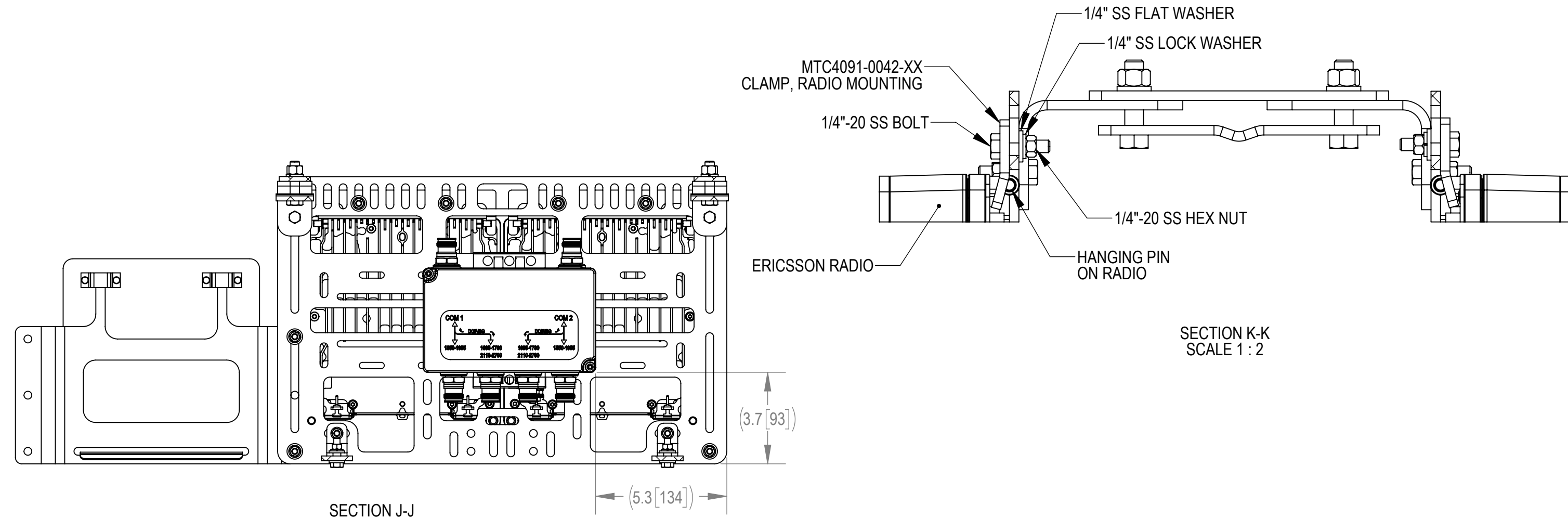
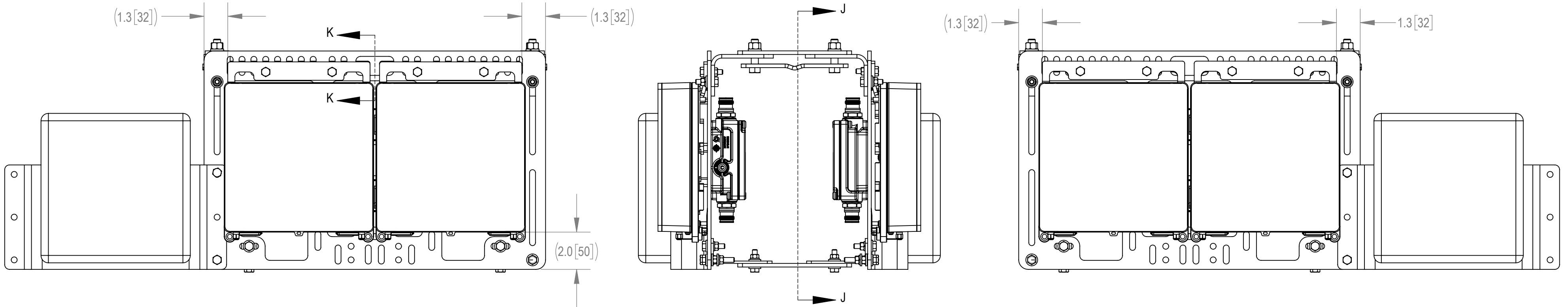
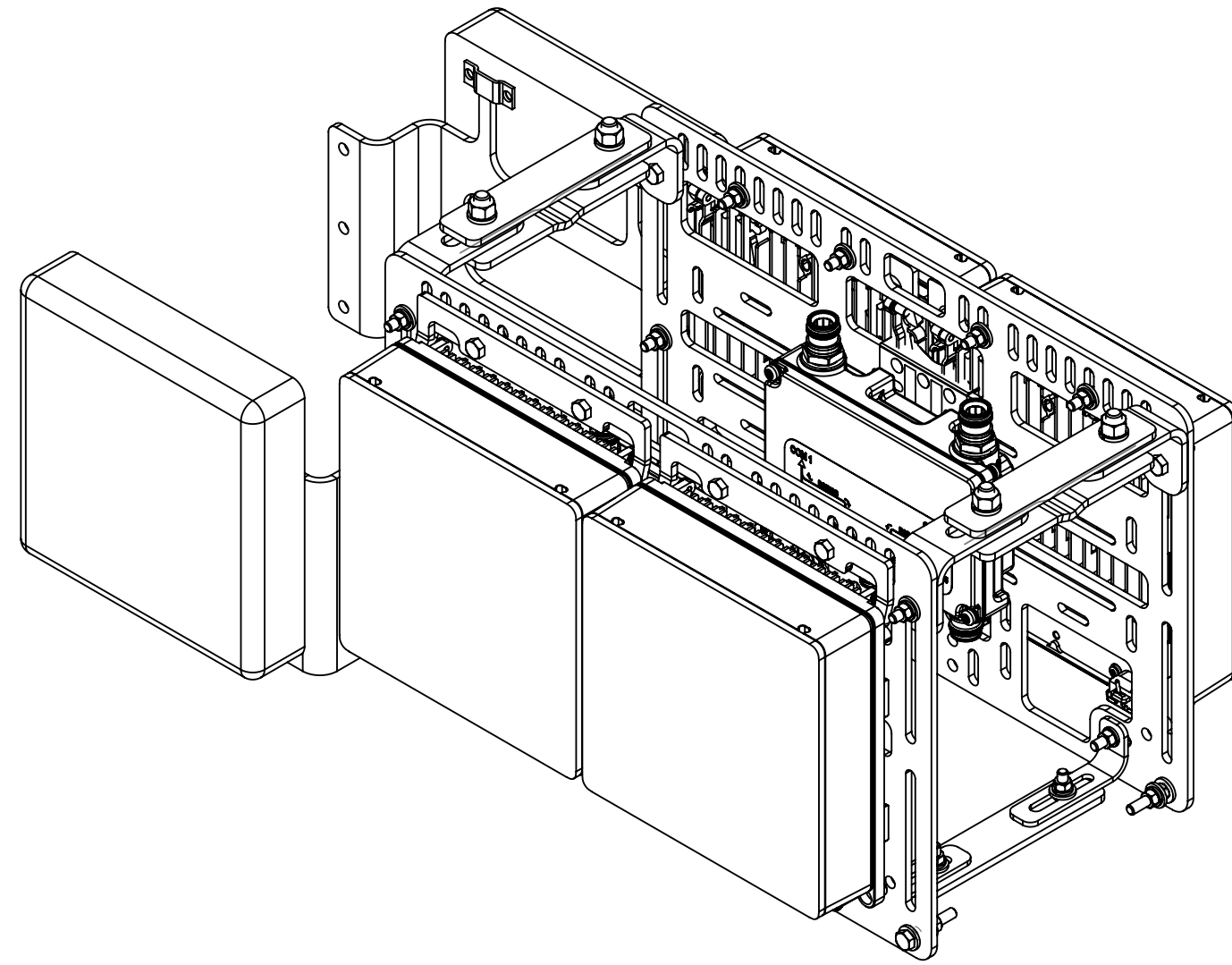
4

3

2

1

NOTES:



**CONFIGURATION FOR MOUNTING ERICSSON RADIO**

COMMSCOPE, INC. OF NORTH CAROLINA				
TITLE INSTRUCTION, SMALL CELL STRAND MT ASSY				
SIZE <b>C</b>	SCALE <b>1:4</b>	DOCUMENT NO. <b>SCSTSU-ASM-INSTR</b>		
		DRAWING		SHEET
		VERSION	STATUS	REVISION
		00	RE	A
				6 OF 8

4

3

2

1

SECTION J-J

SECTION K-K  
SCALE 1 : 2



4

3

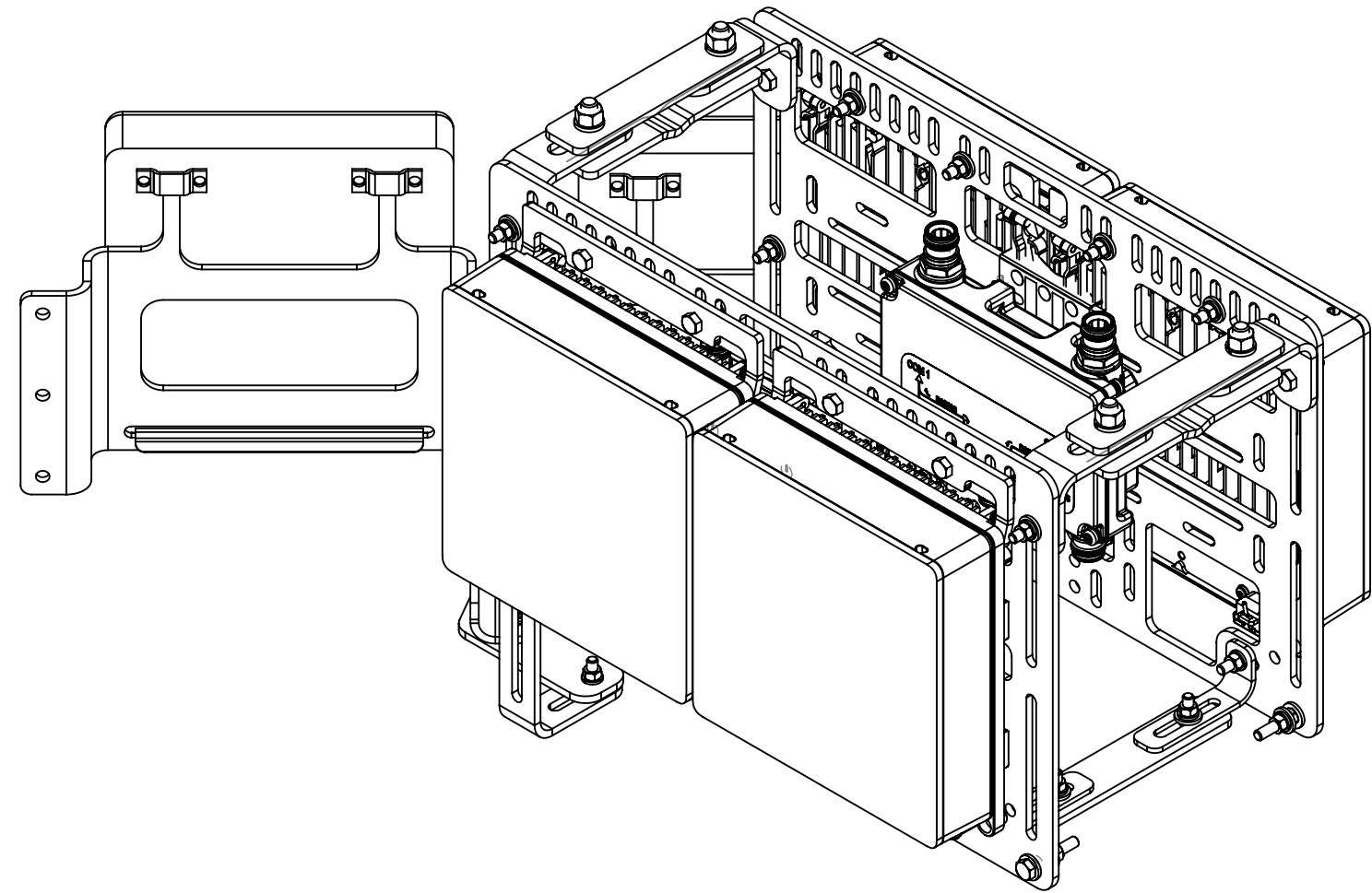
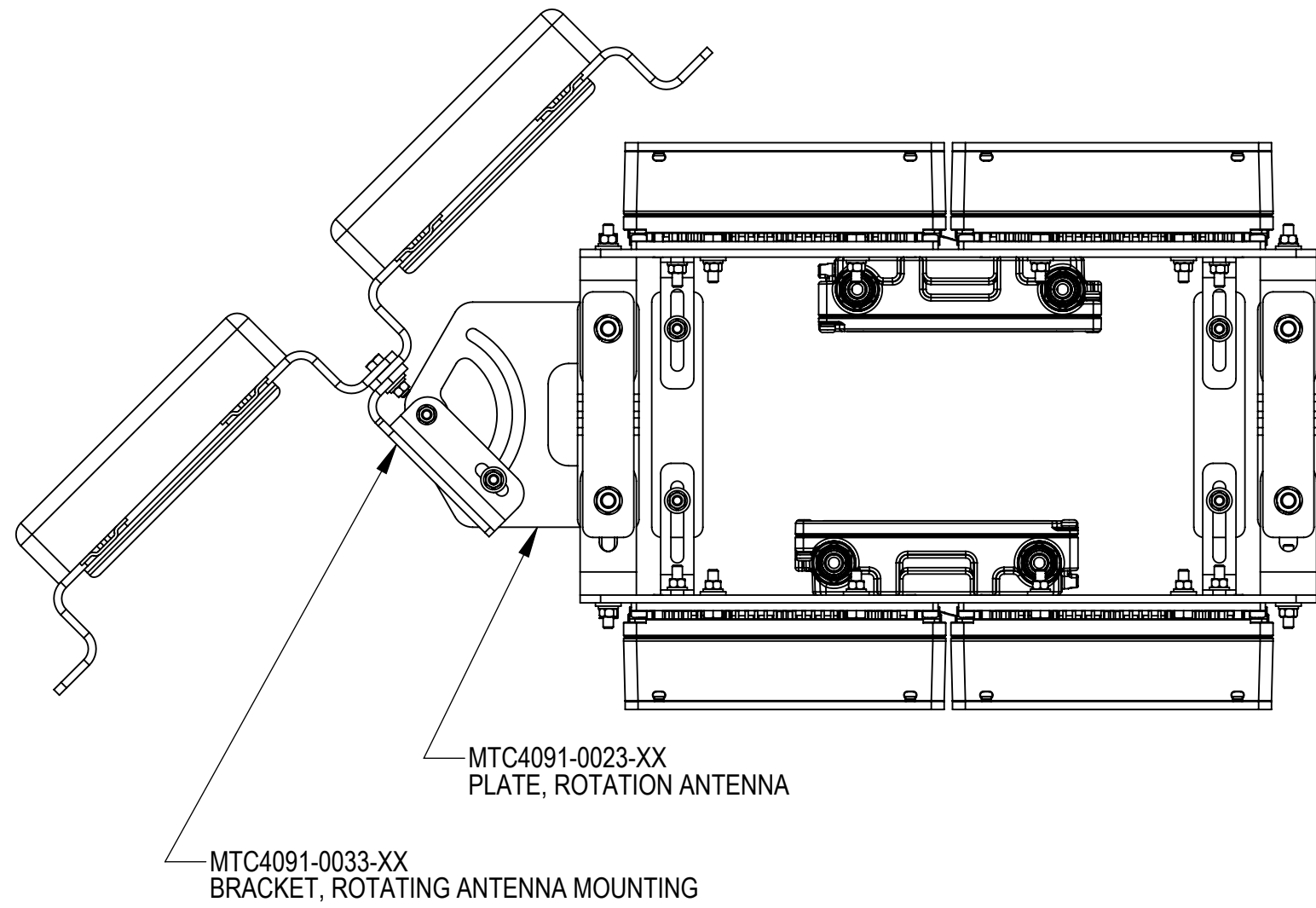
2

1

NOTES:

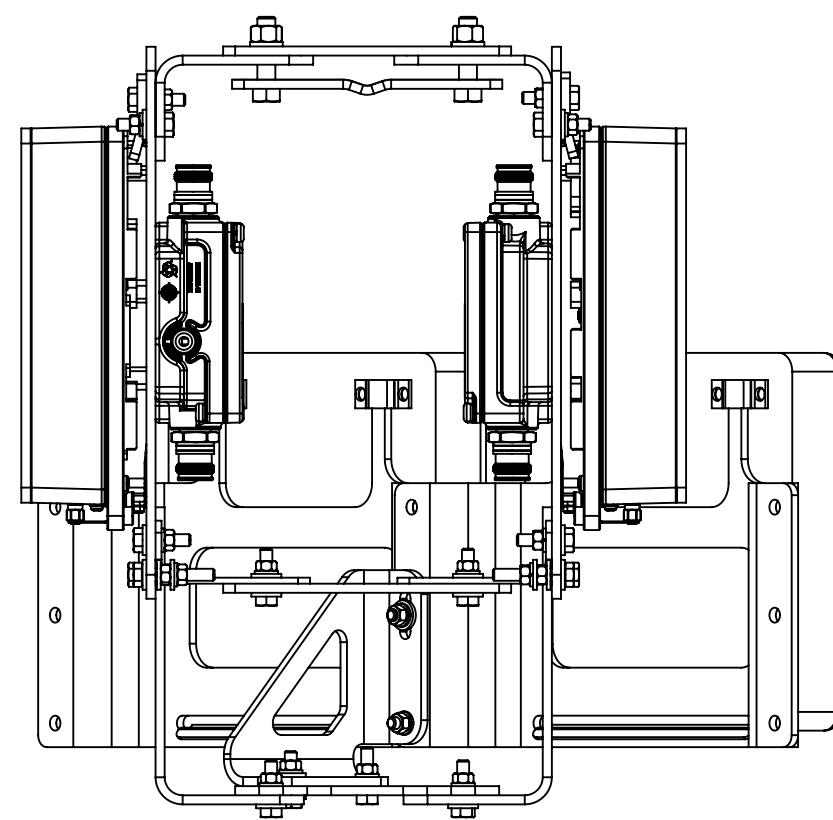
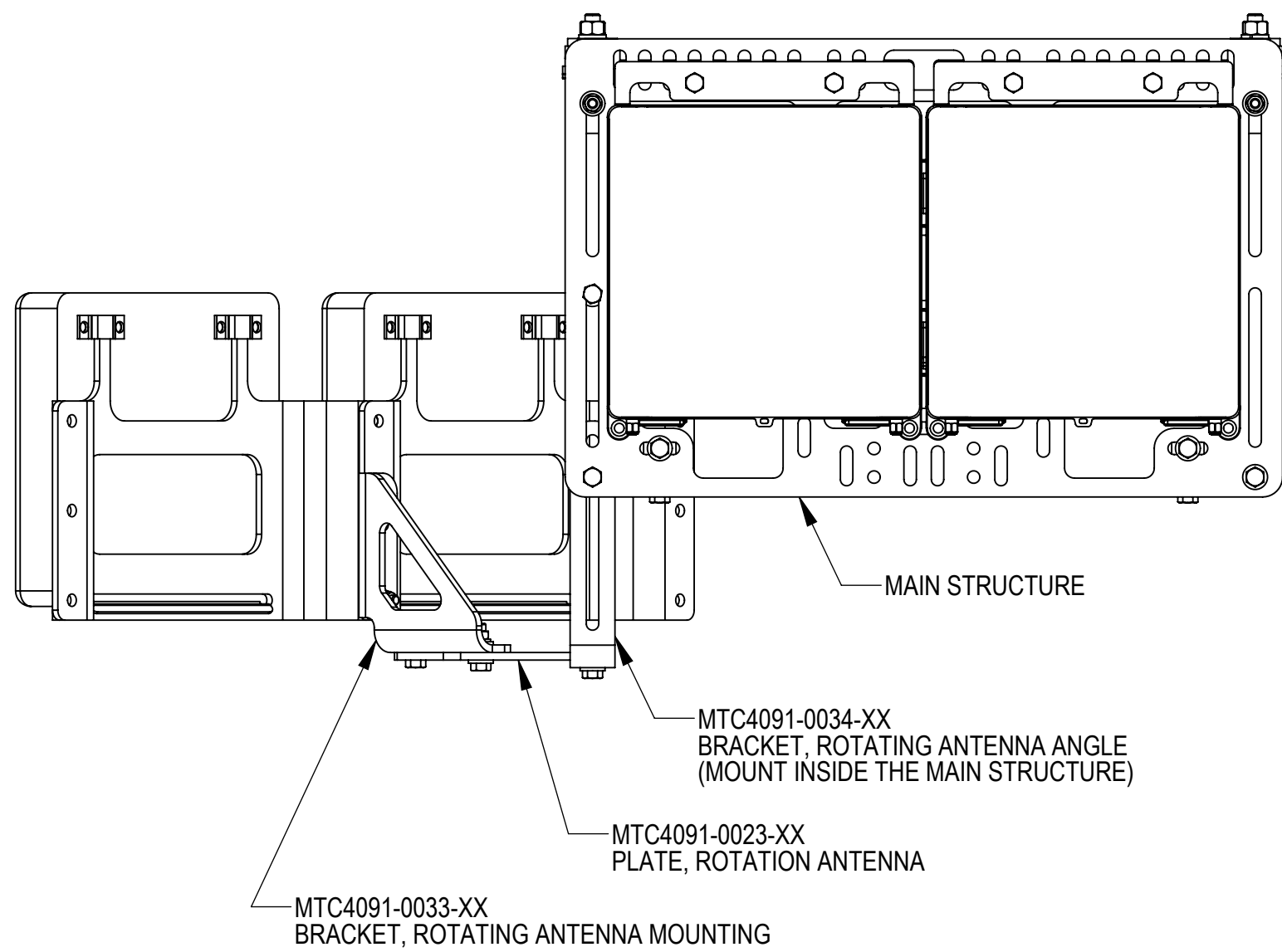
D

D



C

C



B

B

### CONFIGURATION FOR MOUNTING DIRECTIONAL ANTENNA MOUNTING WITH ERICSSON RADIO

COMMSCOPE, INC. OF NORTH CAROLINA				
TITLE INSTRUCTION, SMALL CELL STRAND MT ASSY				
SIZE <b>C</b>	SCALE <b>1:4</b>	DOCUMENT NO. <b>SCSTSU-ASM-INSTR</b>		
		DRAWING		SHEET 7 OF 8
		VERSION 00	STATUS RE	

4

3

2

1

A

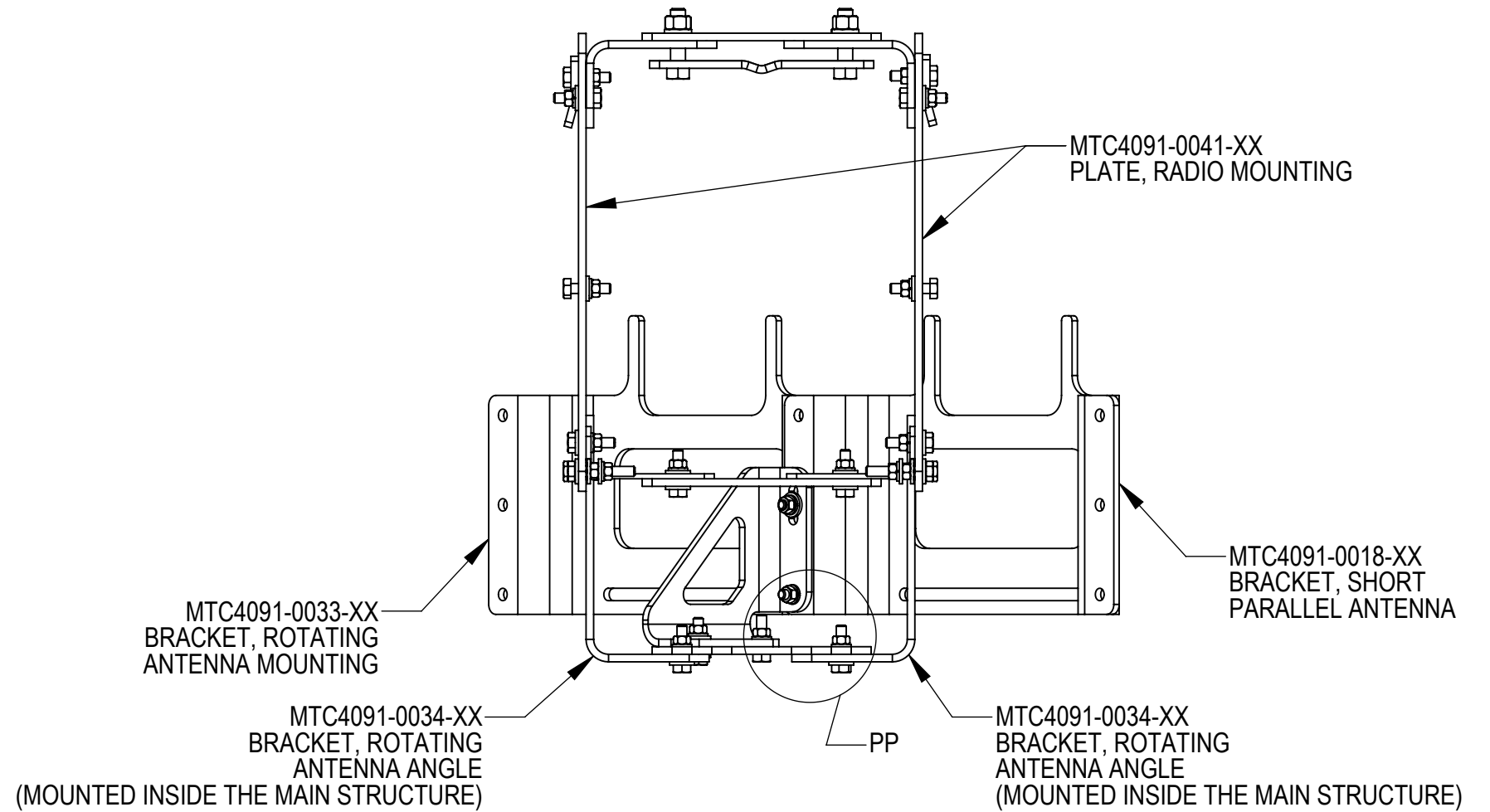
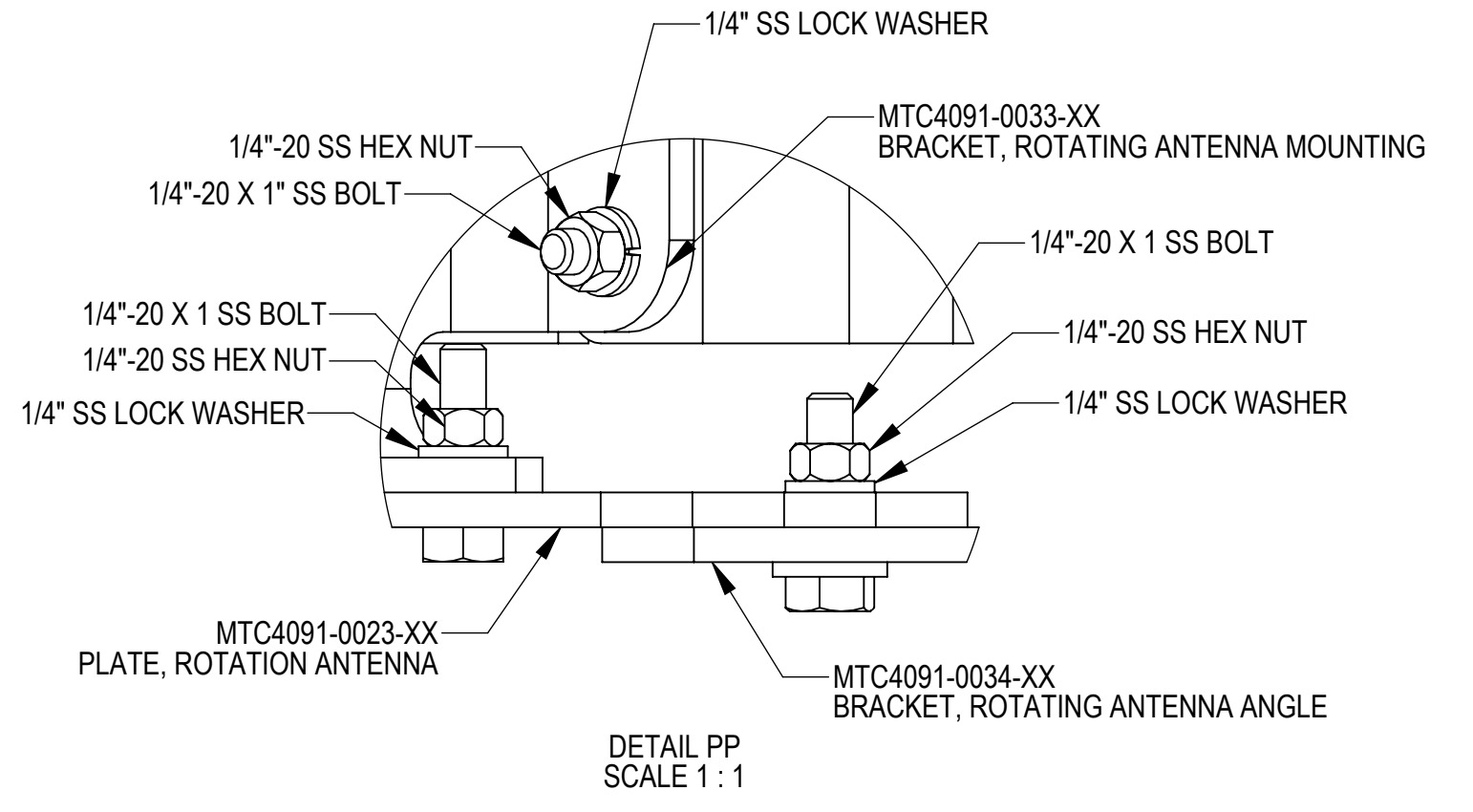
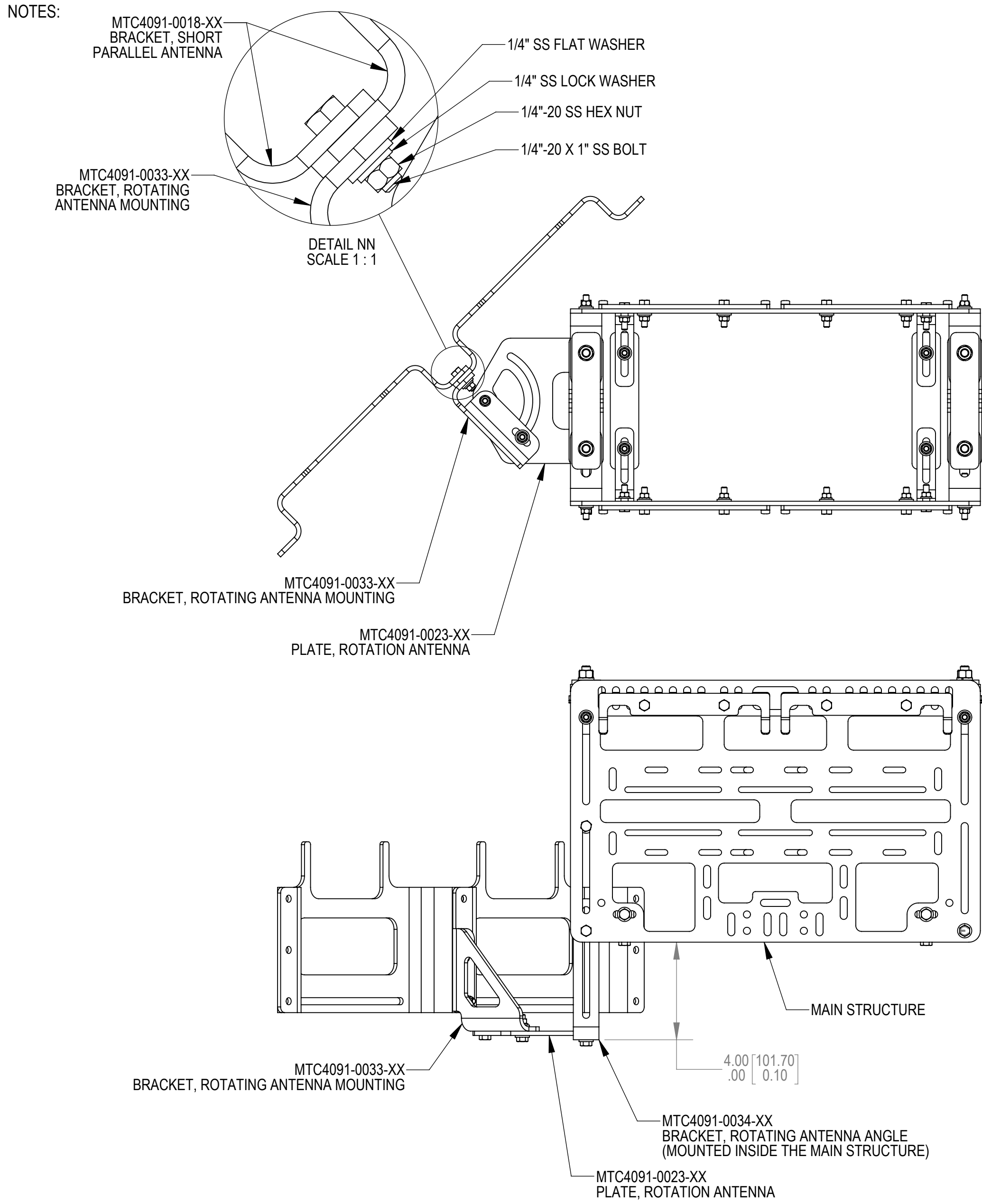
A

4

3

2

1



**MOUNTING DETAILS FOR MOUNTING DIRECTIONAL ANTENNA**

COMMSCOPE, INC. OF NORTH CAROLINA				
TITLE INSTRUCTION, SMALL CELL STRAND MT ASSY				
SIZE <b>C</b>	SCALE <b>1:4</b>	DOCUMENT NO. <b>SCSTSU-ASM-INSTR</b>		
		DRAWING		SHEET
		VERSION	STATUS	REVISION
		00	RE	A
				8 OF 8

4

3

2

1