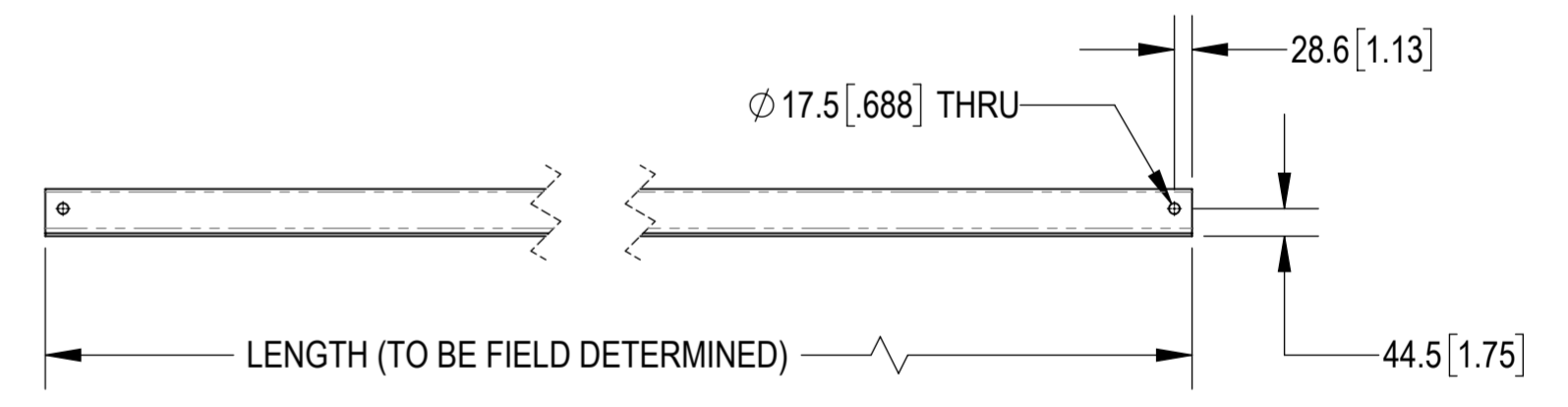
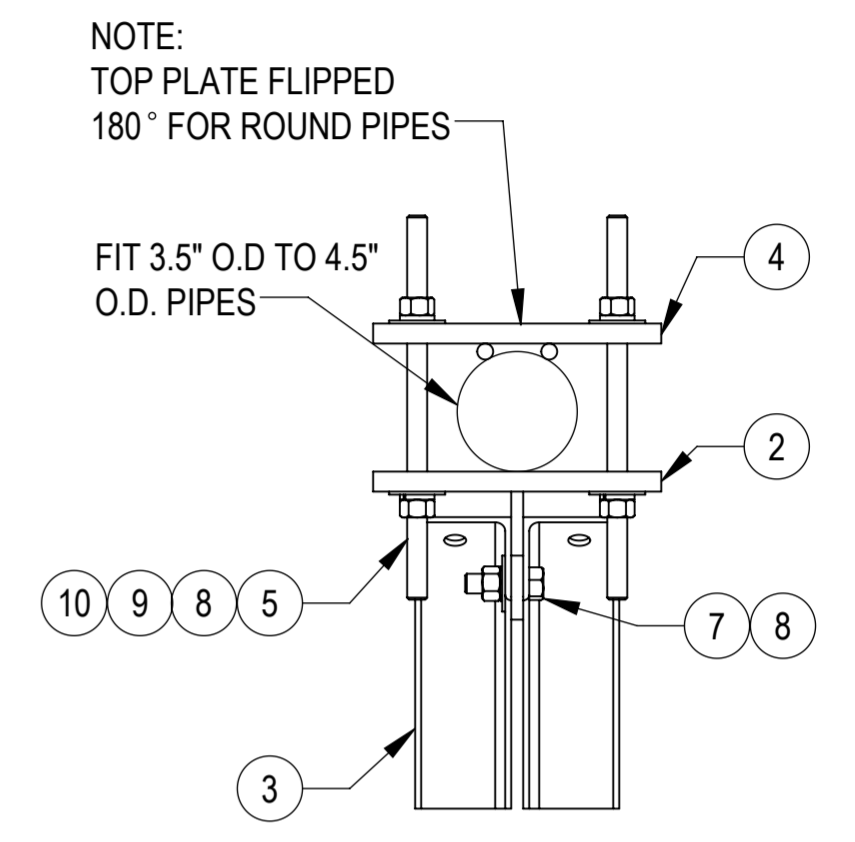
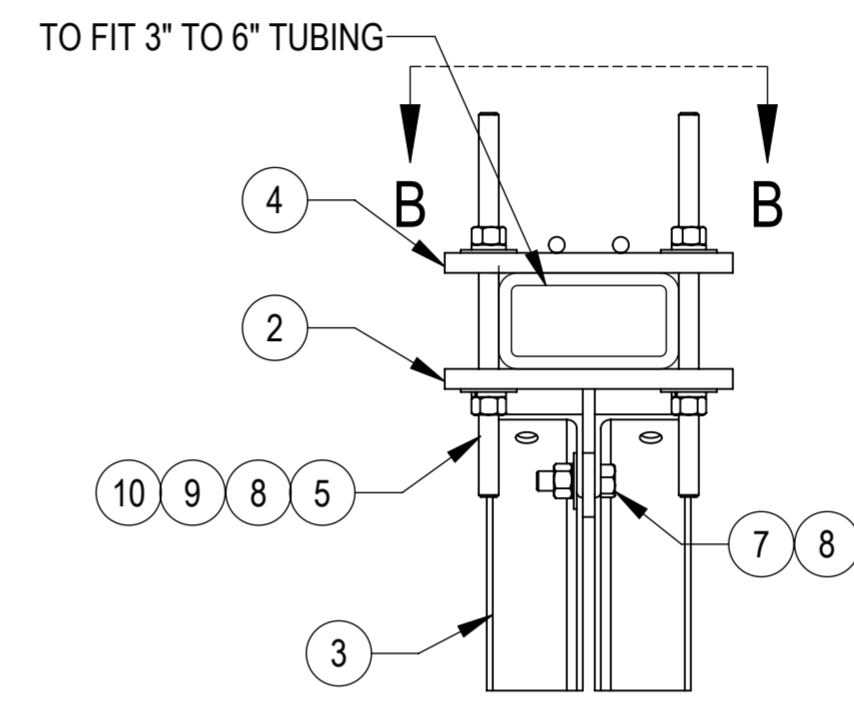
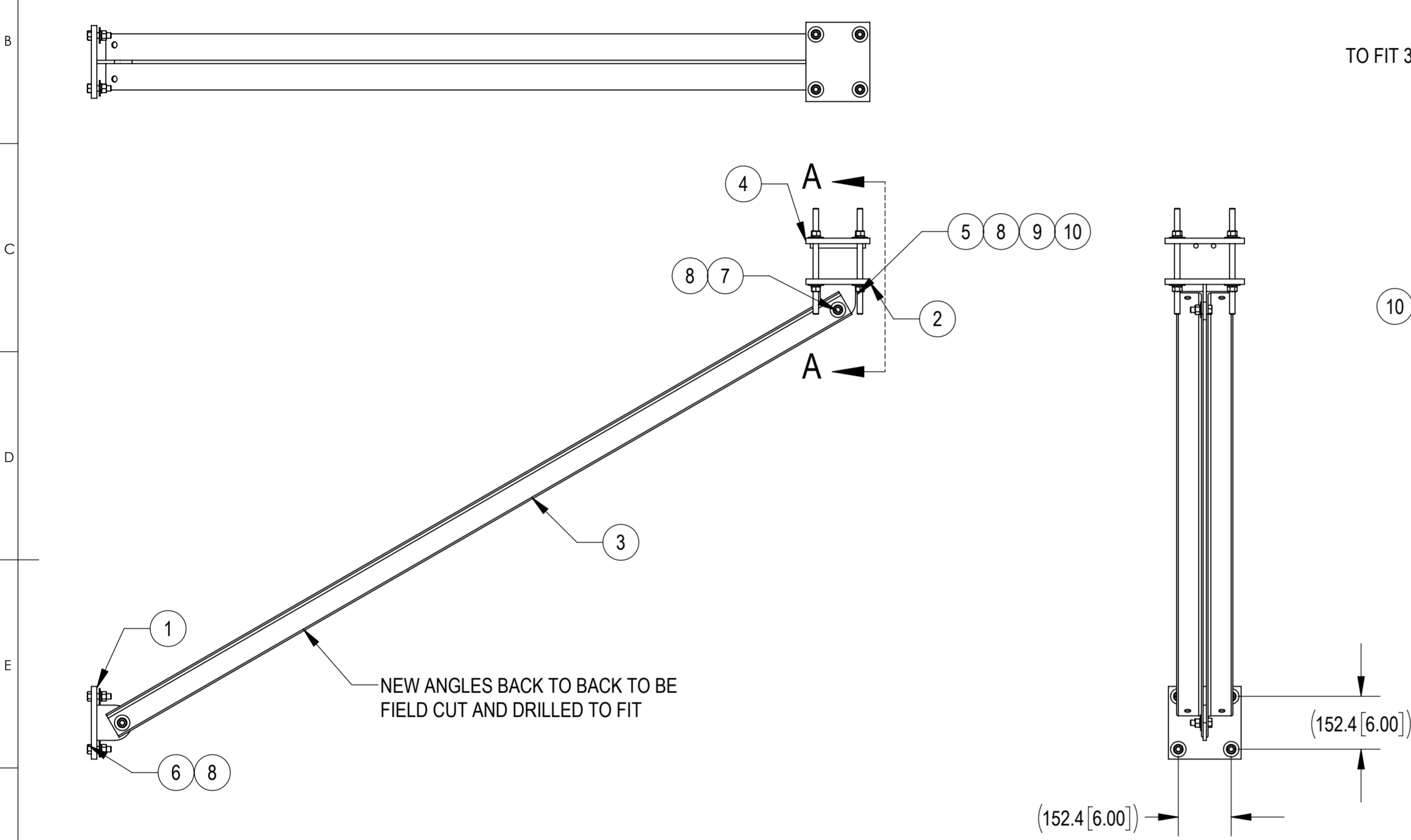


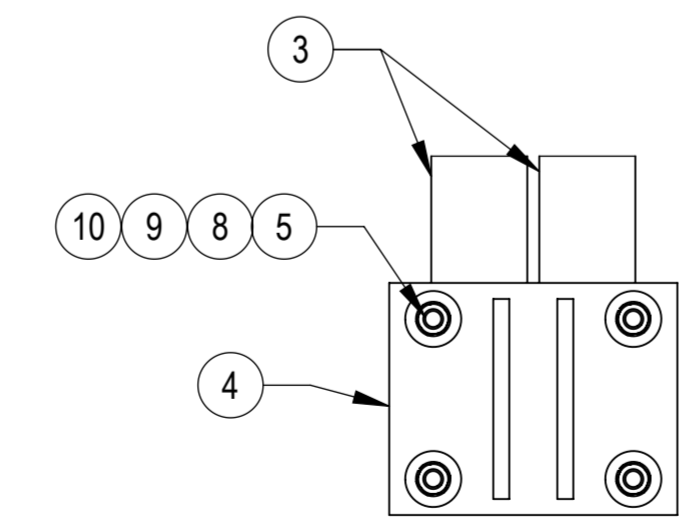
- 1.0 GENERAL  
 1.1 ALL IMPERIAL DIMENSIONS ARE IN BRACKETS [X.XX]  
 2.0 DESIGN NOTES  
 2.1 DESIGNED PER CUSTOMER REQUIREMENTS  
 3.0 MANUFACTURING/SPECIAL REQUIREMENTS  
 3.1 TIGHTEN ALL BOLTS SECURING FLAT PLATES BY THE TURN-OF-NUT METHOD. TIGHTEN ALL U-BOLTS USING TURN-OF-NUT METHOD WITH ATTENTION TO LEAVE EQUAL DISTANCE AND EQUAL FORCE ON EACH LEG OF THE U-BOLT.  
 4.0 TEST  
 5.0 PACKAGING  
 5.1 PACKAGING SHALL MEET COMMSCOPE REQUIREMENTS PER DOCUMENT IS-PL-3005  
 5.2 PRINTED DOCUMENT TO BE PLACED INSIDE POLYBAG AND THEN IN SHIPPING CONTAINER  
 5.3 EXTRA HARDWARE MAYBE SUPPLIED, BAGGED AND SHIPPED

REVISIONS			
REV.	DESCRIPTION	DATE	APPROVED
A	INITIAL RELEASE	MC1107 09JUL20	BCAMPBELLCON 8000040262
B	ITEM 3: A-PLK5-01 WAS PLK2-F4; ADDED NOTE 3.1	JL1183 07JUL22	XK1001 40149853CMO
C	PLK8-F2-3 WAS PLK5-F1, GB-0520A WAS GB-05205, GB-0522A WAS GB-0524A	YMENG 02SEP22	VCORTEZ1 40155504CMO



COMPONENT PART NUMBERS PROVIDED FOR ASSEMBLY PURPOSES;  
 INDIVIDUAL COMPONENTS MAY BE SHIPPED AS PARTS WITHIN AN INCLUDED KIT.

ITEM	PART NO.	DESCRIPTION	QTY.	NOTE NO.
1	PLK5-F3	WELDMENT, BRACKET RM	3	
2	PLK5-F2	WELDMENT, BRACKET	3	
3	A-PLK5-01	ANGLE 3"X 3" X 3/16"	6	
4	PLK8-F2-3	WELDMENT, BOTTOM MOUNTING PLATE	3	
5	MT-381	5/8" X 12" GALV THREADED ROD	12	
6	GB-0522A	5/8" X 2-1/4" GALV BOLT KIT (A325)	12	INCLUDES BOLT, LOCK WASHER AND NUT
7	GB-0520A	5/8" X 2" GALV BOLT KIT (A325)	6	INCLUDES BOLT, LOCK WASHER AND NUT
8	GWF-05	5/8" GALV FLAT WASHER, 1.70D	42	
9	GWL-05	5/8" GALV LOCK WASHER	24	
10	GN-05	5/8" GALV HEX NUT	24	



DENSITY	314.6	lbs/in <sup>3</sup>
MASS	1110.53	lbs
VOLUME	9266.07	in <sup>3</sup>
SURFACE AREA		in <sup>2</sup>
DENSITY	143001.06	g/mm <sup>3</sup>
MASS	18199418.31	grams
VOLUME	5978106.80	mm <sup>3</sup>
SURFACE AREA		mm <sup>2</sup>
HEIGHT	368[14.5]	
LENGTH	572[22.5]	
WIDTH	229[9.0]	

**COMMSCOPE, INC. OF NORTH CAROLINA**

TOLERANCES		SAP MATERIAL MASTER	
0 PLACE	X[.X] ± 3[0.1]	2 PLACE	.XX[.XXX] ± 0.76[0.030]
1 PLACE	.X[.XX] ± 1.5[0.06]	ANGLES	± 1°

**VZSMART-PLK5**

FINISH		MATERIAL	
CE	MRC	NAME	DATE
RW	YMENG		05/12/20
AD	VCORTEZ1		09/09/2022
RE	YMENG		09/22/2022
ECN 40155504CMO		SCALE	DOCUMENT NO.
		1:12	VZSMART-PLK5

**KICKER KIT**

SIZE	Auth Group	INSL	MODEL	DRAWING			SHEET
A2				VERSION	STATUS	REVISION	1 OF 1
				00	RE	A	
				04	RE	C	

© 2022 CommScope, Inc. Confidential