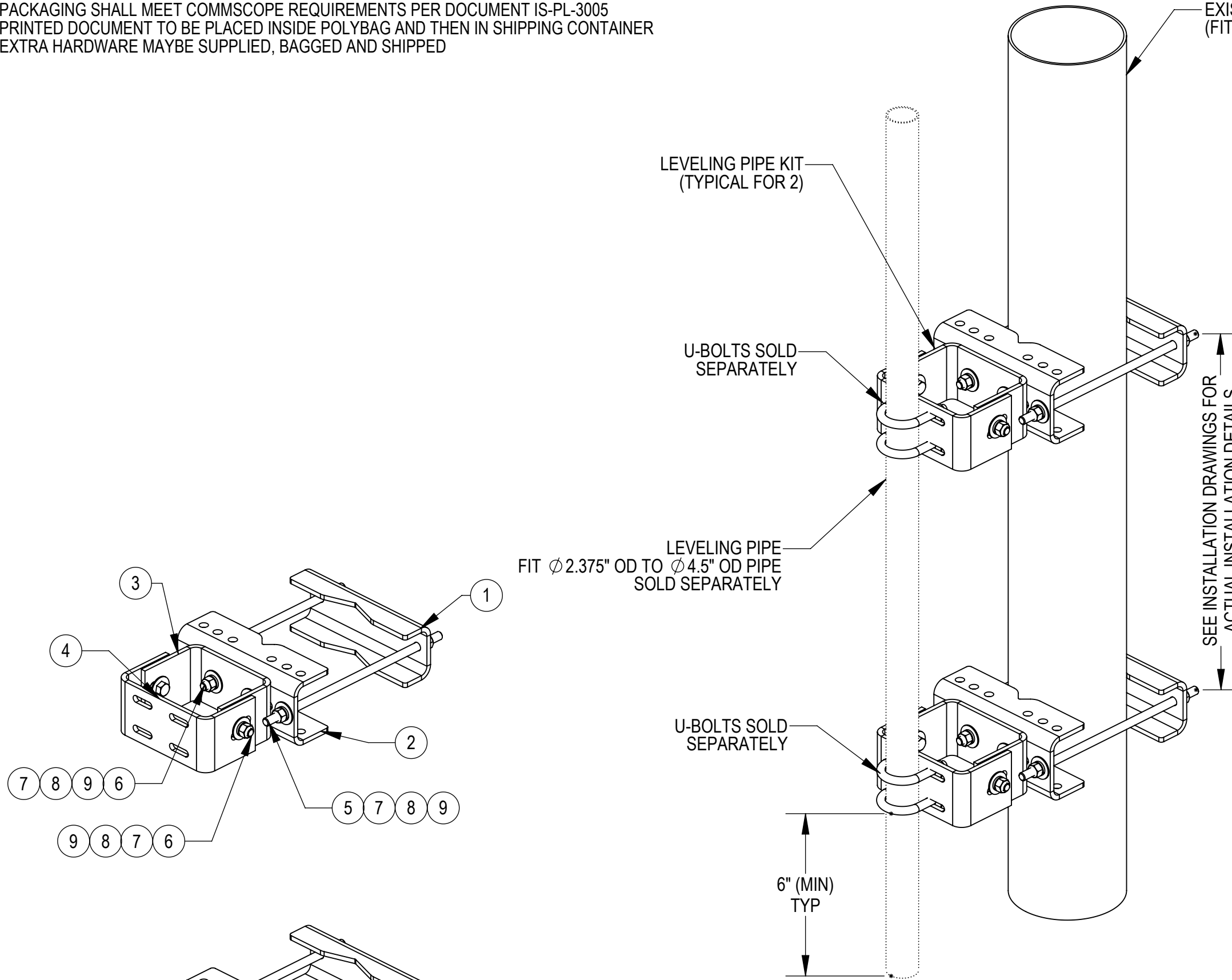
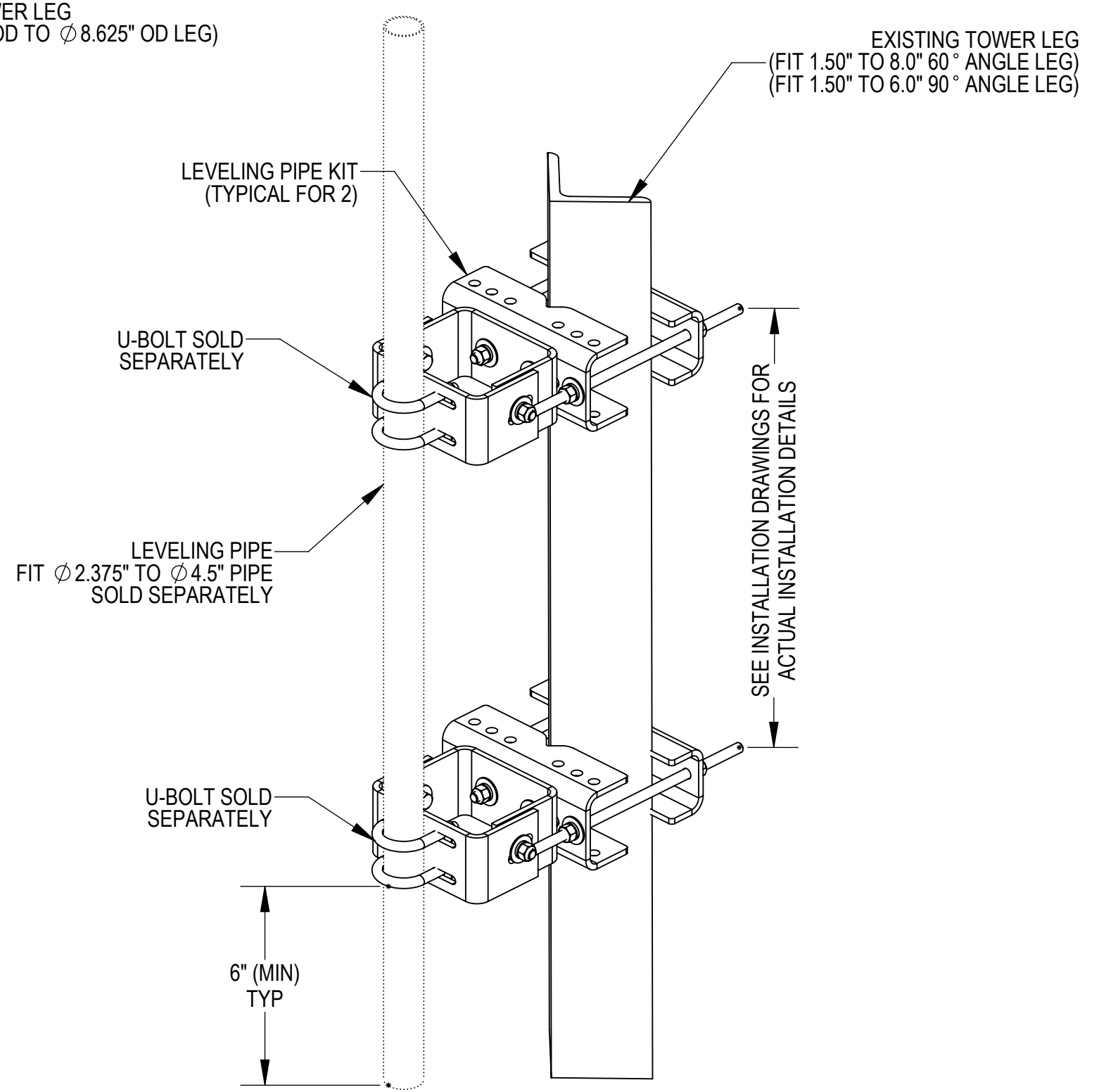


- 1.0 GENERAL NOTES
  - 1.1 ALL METRIC DIMENSIONS ARE IN BRACKETS [X.X]
  - 1.2 MARK PART WITH IDENTIFICATION NUMBER.
- 2.0 DESIGN NOTES
  - 2.1 DESIGNED PER CUSTOMER REQUIREMENTS.
- 3.0 MANUFACTURING/SPECIAL REQUIREMENTS
  - 3.1 TIGHTEN ALL BOLTS SECURING FLAT PLATES BY THE TURN-OF-NUT METHOD. TIGHTEN ALL U-BOLTS USING TURN-OF-NUT METHOD WITH ATTENTION TO LEAVE EQUAL DISTANCE AND EQUAL FORCE ON EACH LEG OF THE U-BOLT.
- 4.0 TEST
- 5.0 PACKAGING
  - 5.1 PACKAGING SHALL MEET COMMSCOPE REQUIREMENTS PER DOCUMENT IS-PL-3005
  - 5.2 PRINTED DOCUMENT TO BE PLACED INSIDE POLYBAG AND THEN IN SHIPPING CONTAINER
  - 5.3 EXTRA HARDWARE MAYBE SUPPLIED, BAGGED AND SHIPPED

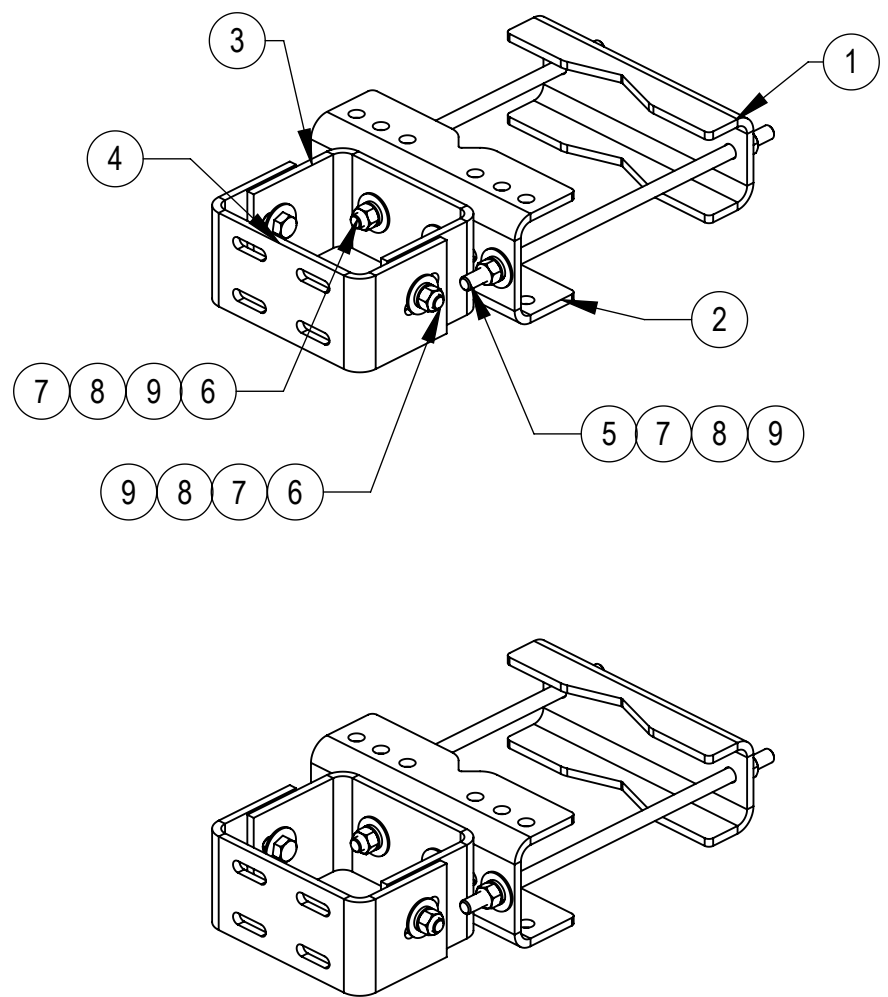
REVISIONS			
REV.	DESCRIPTION	DATE	APPROVED
A	INITIAL RELEASE	RJC 01APR20	MC1107 8000040209
B	GB-0520A WAS GB-05205, GWF-05 QTY WAS 16, CORRECTED NOTES	YMENG 08SEP22	VCORTEZ1 40156275CMO



ROUND TOWER LEG OPTION



ANGLE TOWER LEG OPTION



COMPONENT PART NUMBERS PROVIDED FOR ASSEMBLY PURPOSES; INDIVIDUAL COMPONENTS MAY BE SHIPPED AS PARTS WITHIN AN INCLUDED KIT.

ITEM	PART NO.	DESCRIPTION	QTY.	NOTE NO.
1	MTC4104-0012	BENT PLATE, .375 X 8.25 X 12	2	
2	MTC4104-0013	BENT PLATE, .375 X 11.1 X 12	2	
3	MTC4104-0016	BENT PLATE, .375 X 5.63 X 8.25	2	
4	MTC4104-0017	BENT PLATE, .375 X 5.13 X 9.25	2	
5	MT-382-18	5/8" X 18" GALV THREADED ROD	4	
6	GB-0520A	5/8" X 2" GALV BOLT KIT (A325)	8	INCLUDES BOLT, LOCK WASHER AND NUT
7	GWF-05	5/8" GALV FLAT WASHER, 1.70D	24	
8	GWL-05	5/8" GALV LOCK WASHER	8	
9	GN-05	5/8" GALV HEX NUT	8	

DENSITY	219.85	lbs/in <sup>3</sup>
MASS	777.03	lbs
VOLUME	777.03	in <sup>3</sup>
SURFACE AREA	7097.58	in <sup>2</sup>
HEIGHT		
LENGTH		
WIDTH		

© 2022 CommScope, Inc. Confidential

**COMMSCOPE, INC. OF NORTH CAROLINA**

TOLERANCES: 0 PLACE X[X] ± .25[6.3], 1 PLACE X[X] ± .12[3.0], 2 PLACE XX[X] ± 0.06[1.5], ANGLES ± 2°

SAP MATERIAL MASTER: VZWSMART-MSK4

FINISH: MATERIAL

NAME	RJC	DATE	04/01/20	TITLE	LEVELING PIPE KIT
CE	YMENG	DATE	09/09/2022		
RW		DATE	09/12/2022		
AD	VCORTEZ1	DATE	09/22/2022		
RE	YMENG	DATE	09/22/2022		
ECN	40156275CMO			SCALE	1:12
				DOCUMENT NO.	VZWSMART-MSK4
SIZE	WORK AREA	INSL	MODEL		DRAWING
C			VERSION	STATUS	REVISION
			03	RE	B
			VERSION	STATUS	REVISION
			03	RE	B

SHEET 1 OF 1