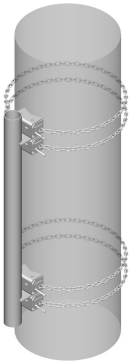


# CM-H30-B

---



Heavy Duty Chain Mount Kit, 8 ft chain

**OBSOLETE**

## Product Classification

**Product Type** Chain mount kit

## General Specifications

**Chains, quantity** 4

**Pipe, quantity** 0

**Sectors, quantity** 1

## Dimensions

**Height** 152.4 mm | 6 in

**Width** 203.2 mm | 8 in

**Length** 203.2 mm | 8 in

**Chain Length** 2,400.3 mm | 94.5 in

**Mounting Diameter, maximum** 762 mm | 30 in

**Mounting Diameter, minimum** 203.2 mm | 8 in

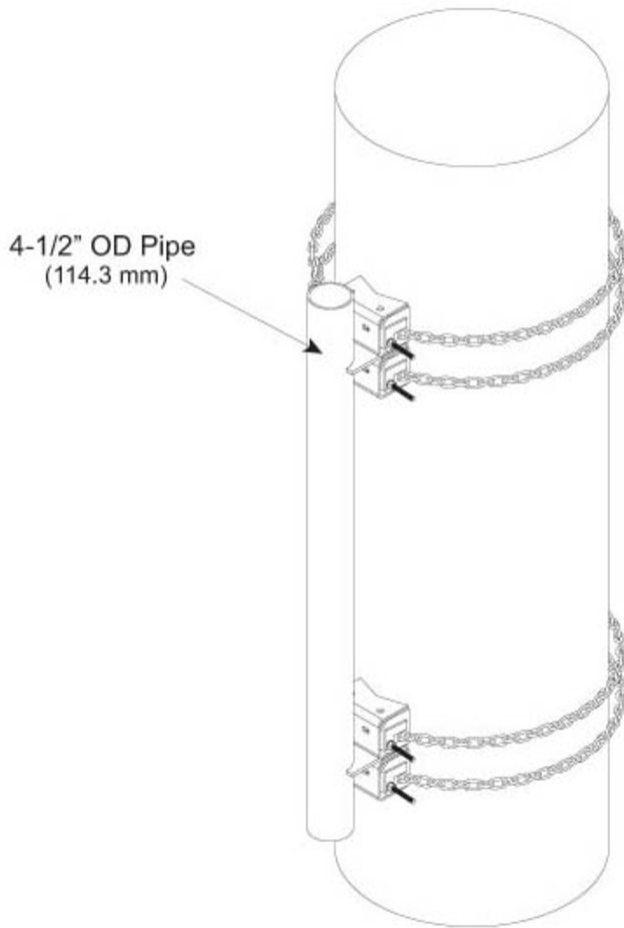
**Pipe Outer Diameter** 114.3 mm | 4.5 in

**Mounting Circumference, maximum** 2,392.68 mm | 94.2 in

**Mounting Circumference, minimum** 635 mm | 25 in

# CM-H30-B

## Outline Drawing



## Material Specifications

**Material Type** Hot dip galvanized steel

## Mechanical Specifications

**Wind Rating** 125 mph (BWS) at 100 ft AGL

**Wind Rating Criteria** One 8 ft standard microwave antenna, with radome and stiff arm

**Wind Rating Test Method** TIA/EIA-222

## Packaging and Weights

**Included** Chains

# CM-H30-B

---

**Packaging quantity** 1  
**Weight, net** 23.6 kg | 52.029 lb

## Regulatory Compliance/Certifications

### Agency

ISO 9001:2015



### Classification

Designed, manufactured and/or distributed under this quality management system

## \* Footnotes

### Wind Rating

BWS—Base Wind Speed; FBC—Florida Building Code