

4

3

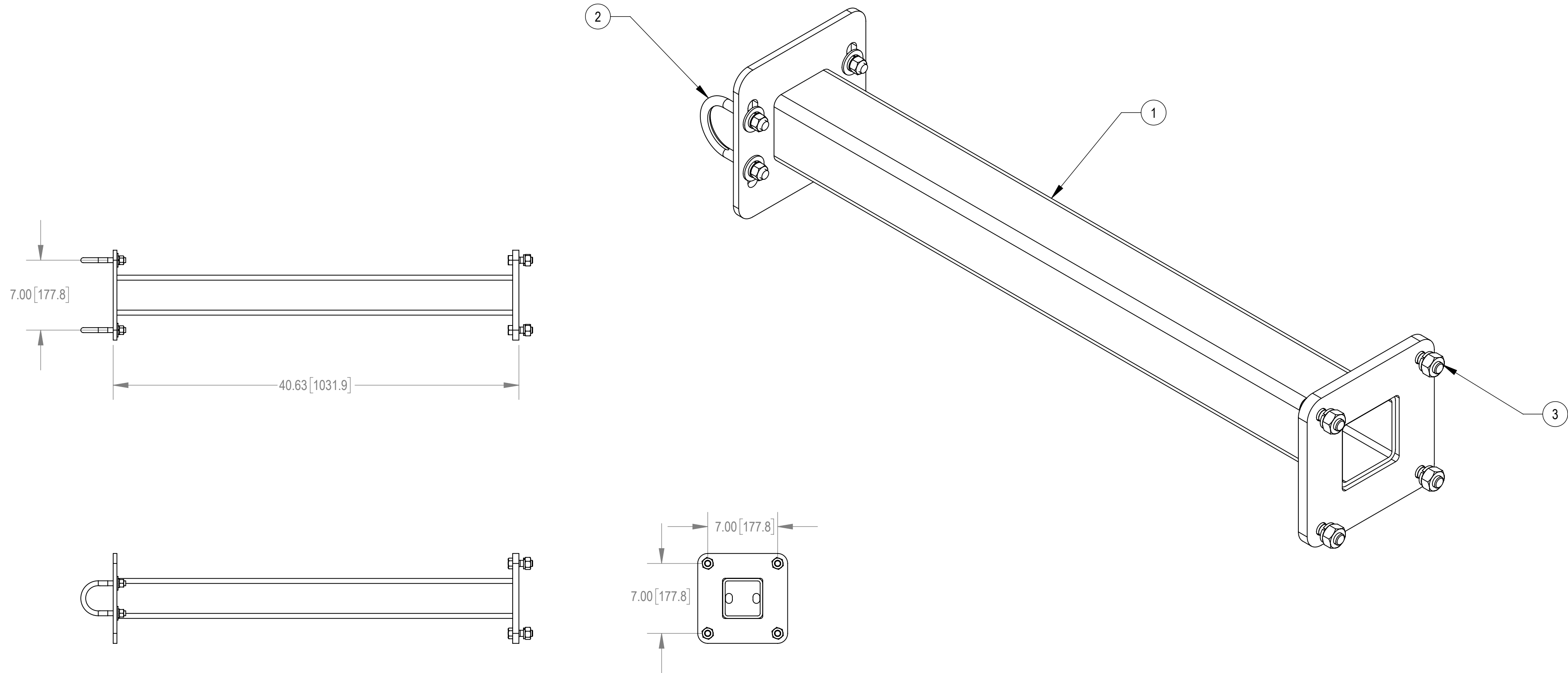
2

1

NOTES:

- 1.0 GENERAL
 - 1.1 ALL METRIC DIMENSIONS ARE IN BRACKETS
 - 1.2 FOR PATENT INFO :<https://www.cs-pat.com>
- 2.0 DESIGN NOTES
- 3.0 MANUFACTURING/SPECIAL REQUIRMENTS
- 4.0 TEST
- 5.0 PACKAGING

REVISIONS				
REV.	ECN	DESCRIPTION	DATE	APPROVED
A		INITIAL RELEASE	02/12/02	CAM
B		UPDATE BOLT TO A325	01/14/04	ACG
C		ADDED HARDWARE KIT	03/10/06	ACG
D		REDESIGN AND UPDATE	03/14/08	MSM
E	8000042590	UPDATING DRAWING FORMAT	9/1/2020	RKH



COMMSCOPE, INC. OF NORTH CAROLINA									
TOLERANCES					SAP MATERIAL MASTER				
0 PLACE X ± .25		2 PLACE .XX ± 0.06			MC-SA40-B				
1 PLACE .X ± 0.12		ANGLES ± 2°							
FINISH GALV A123					MATERIAL A1011/1018, A500				
<small>UNLESS OTHERWISE SPECIFIED DIMENSIONS ARE IN INCHES INTERPRET PER ANSI Y 14.5M-1994</small>			CE	NAME	DATE	TITLE			
			RW	BCAMPBELLCON	10/16/2020	40" ANTENNA MOUNT STANDOFF KIT			
			RV	BCAMPBELLCON	10/16/2020				
			AD	BCAMPBELLCON	10/16/2020				
RE	BCROSS	10/19/2020	SCALE	DOCUMENT NO.			MC-SA40-B		
ECN 008000042590			1:8						
SIZE	WORK AREA	24	MODEL			DRAWING			SHEET 1 OF 1
C			VERSION	STATUS	REVISION	VERSION	STATUS	REVISION	
			02	RE		01	RE		

ITEM NO.	PART NUMBER	DESCRIPTION	QTY.
1	MCSA40B01	40" SUPPORT ARM STANDOFF	1
2	GUB-4240	1/2" X 2-1/2" X 4" GALV U-BOLT	2
3	GB-0520A	5/8" X 2" GALV BOLT KIT (A325)	4

© 2018 CommScope, Inc. Confidential

4

3

2

1