

4

3

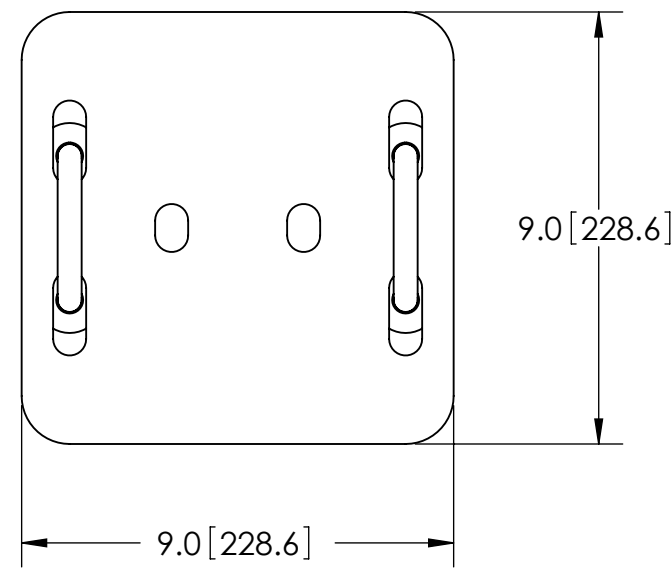
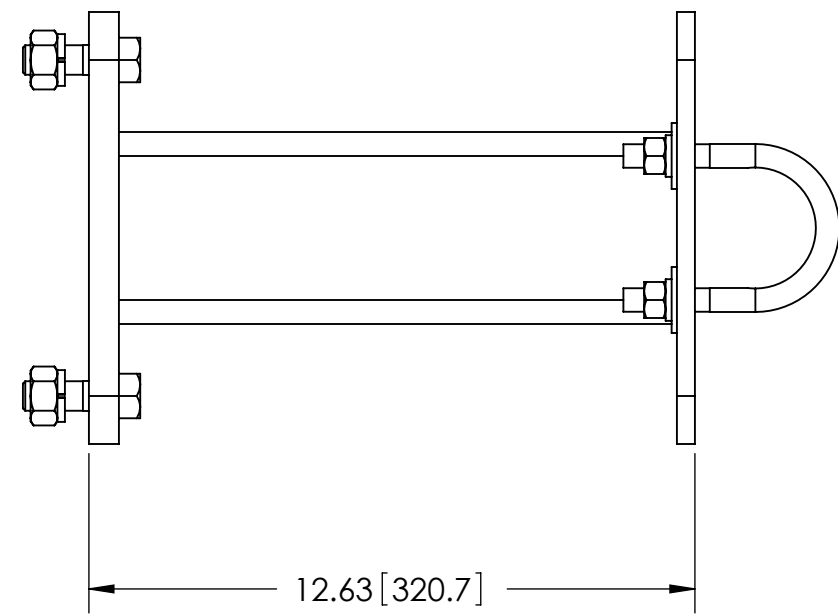
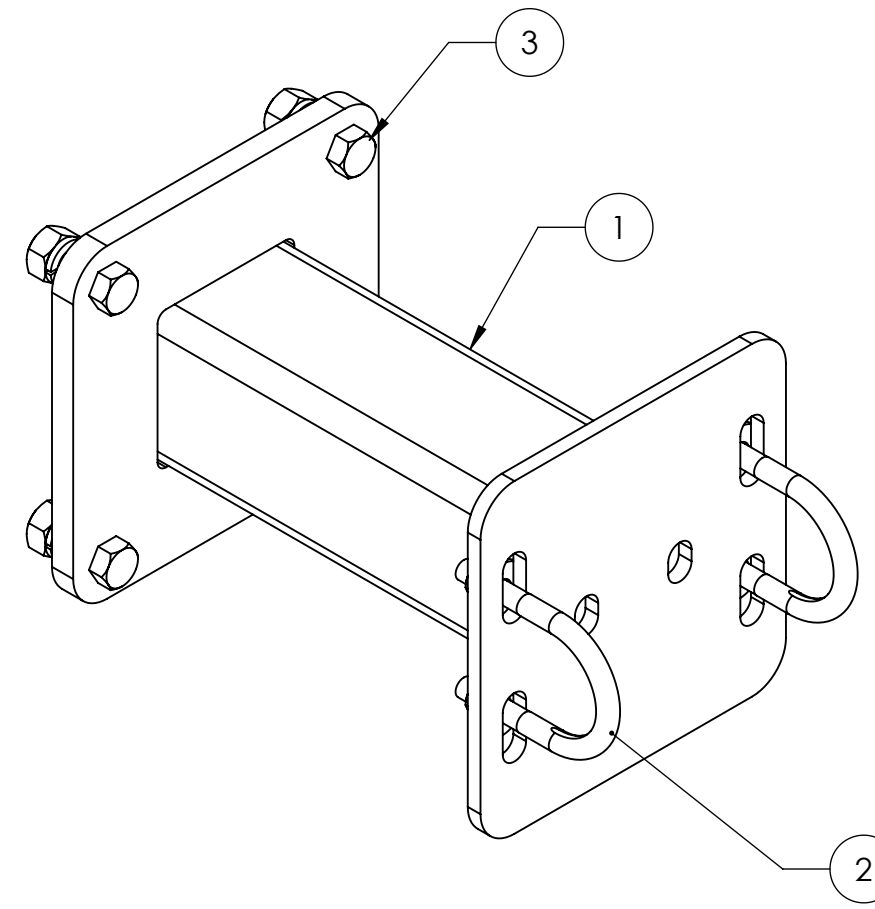
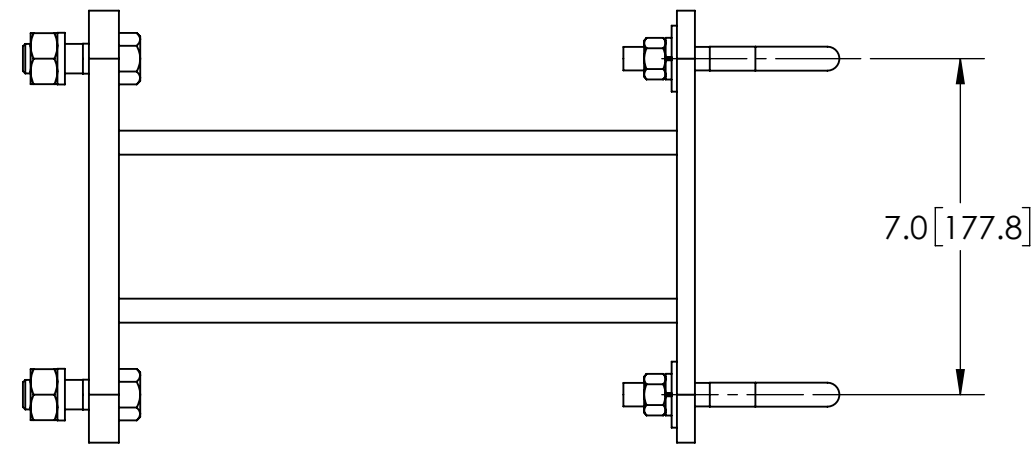
2

1

NOTES:

- 1.0 GENERAL
  - 1.1 ALL METRIC DIMENSIONS ARE IN BRACKETS
  - 1.2 FOR PATENT INFO :<https://www.cs-pat.com>
- 2.0 DESIGN NOTES
- 3.0 MANUFACTURING/SPECIAL REQUIRMENTS
- 4.0 TEST
- 5.0 PACKAGING

REVISIONS				
REV.	ECN	DESCRIPTION	BY	DATE
A		INITIAL RELEASE	MSM	11/20/09
B	8000035167	UPDATE MCSA12B01 TO REVISION "B"	RJC	05/07/19
C	8000042590	CHANGED MCSA12B01 TO 1/4" WALL	RKH	8/31/2020



ITEM	PART NO.	DESCRIPTION	QTY.	NOTE NO.
1	MCSA12B01	12" SUPPORT ARM STANDOFF	1	
2	GUB-4240	1/2" X 2-1/2" X 4" GALV U-BOLT	2	
3	GB-0520A	5/8" X 2" GALV BOLT KIT (A325)	4	



DENSITY	0.28	lbs/in <sup>3</sup>
MASS	34.24	lbs
VOLUME		in <sup>3</sup>
SURFACE AREA		in <sup>2</sup>
HEIGHT	9.0	
LENGTH	12.63	
WIDTH	9.0	

<b>COMMSCOPE, INC. OF NORTH CAROLINA</b>									
TOLERANCES					SAP MATERIAL MASTER				
0 PLACE X ± .25		2 PLACE .XX ± 0.06			<b>MC-SA12-B</b>				
1 PLACE .X ± 0.12		ANGLES ± 2°							
FINISH GALV A123					MATERIAL A500, A1011/A1018				
UNLESS OTHERWISE SPECIFIED DIMENSIONS ARE IN INCHES INTERPRET PER ANSI Y 14.5M-1994	CE	RJC	05/07/19	<b>STANDOFF ARM 12"</b>					
	RW	ROGHANSON	09/21/2020						
	RV								
	AD	BCAMPBELLCON	10/15/2020						
	RE	BCROSS	10/19/2020						
ECN 008000035167			SCALE	DOCUMENT NO.					
			<b>1:4</b>	<b>MC-SA12-B</b>					
SIZE	WORK AREA	24	MODEL			DRAWING			
<b>C</b>			VERSION	STATUS	REVISION	VERSION	STATUS	REVISION	SHEET
			01	RE	C	01	RE		1 OF 1

4

3

2

1