

4

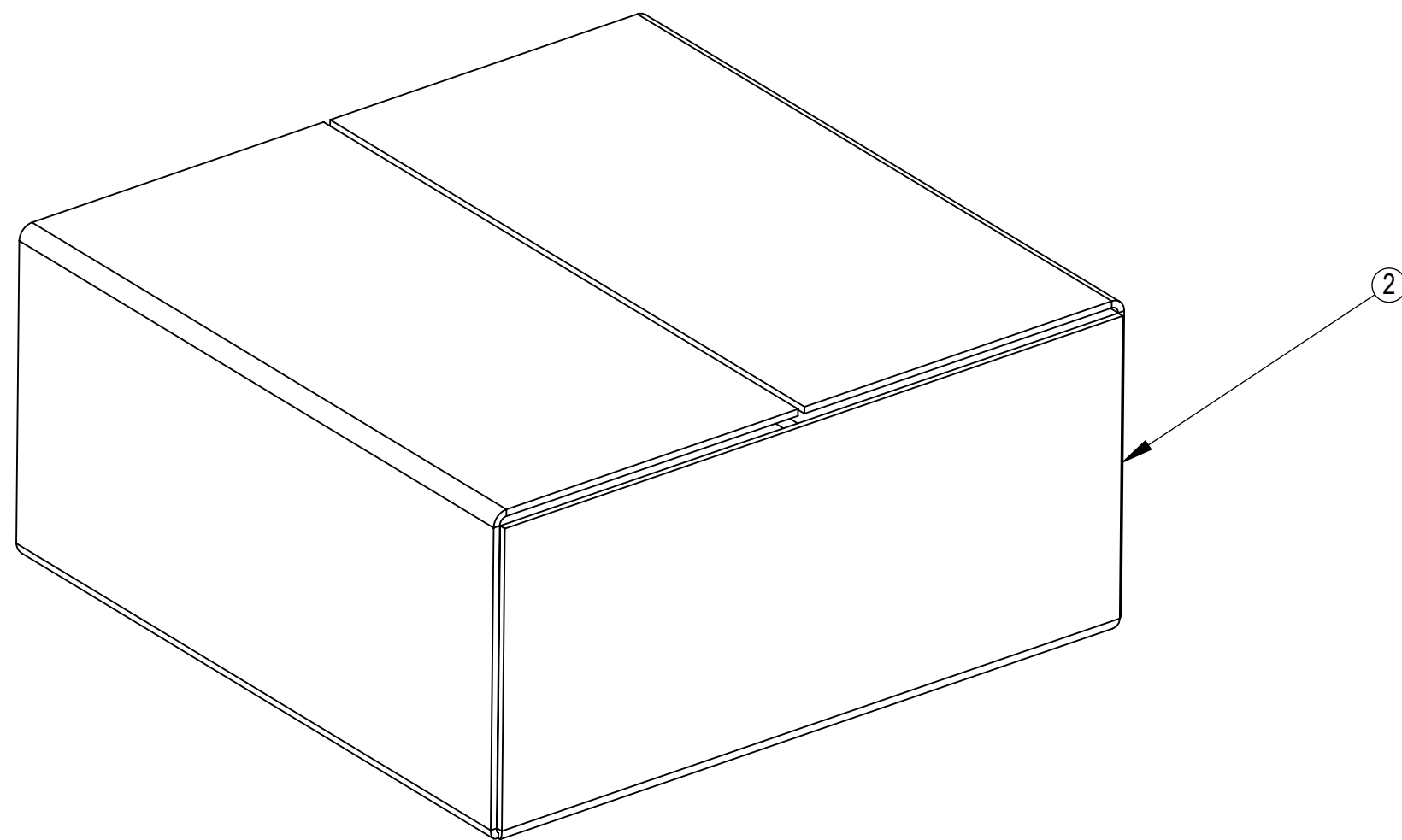
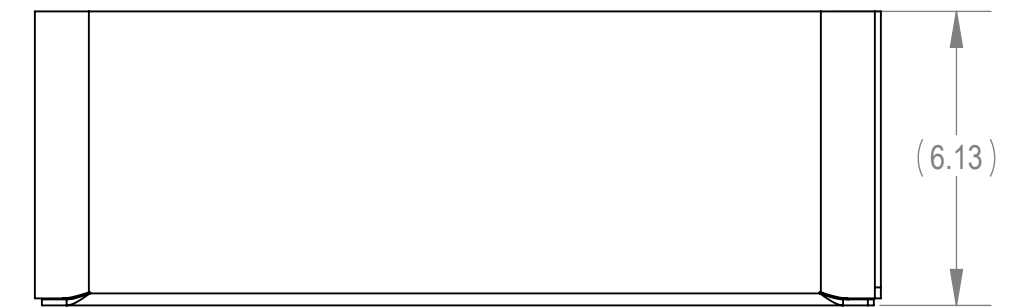
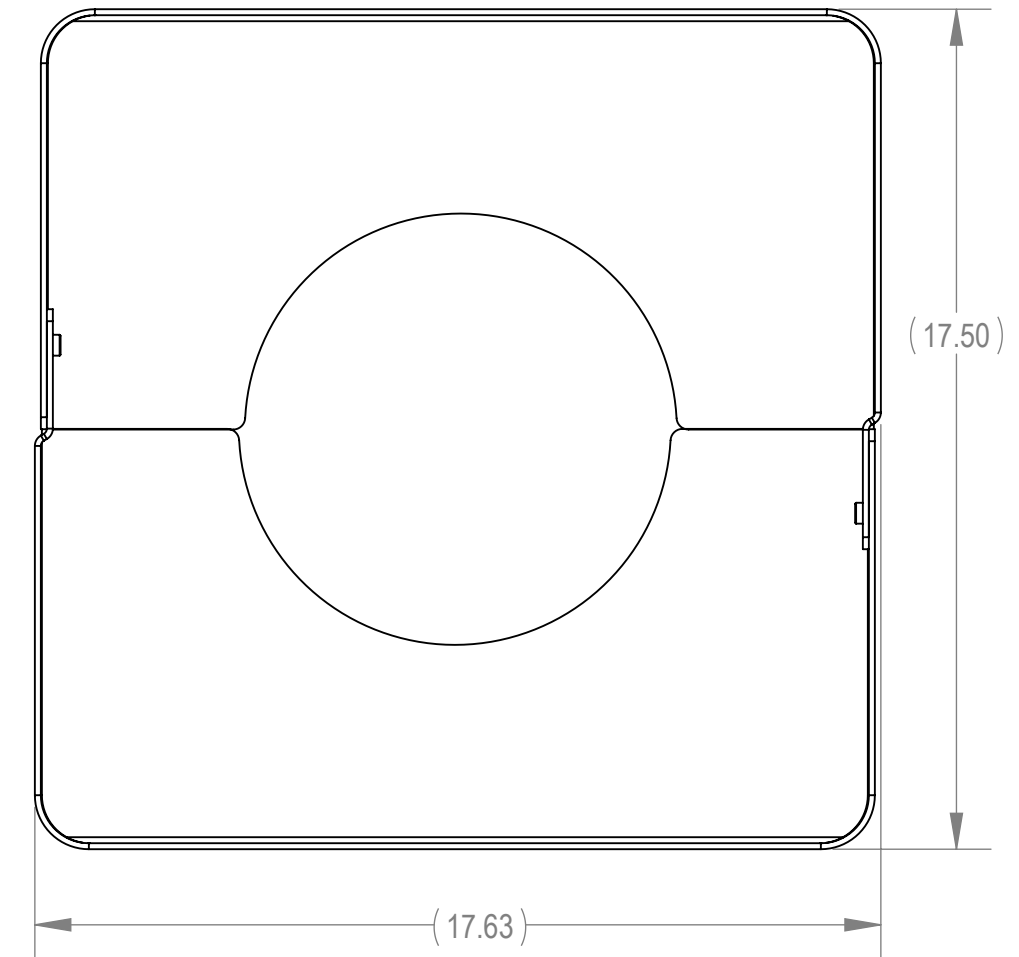
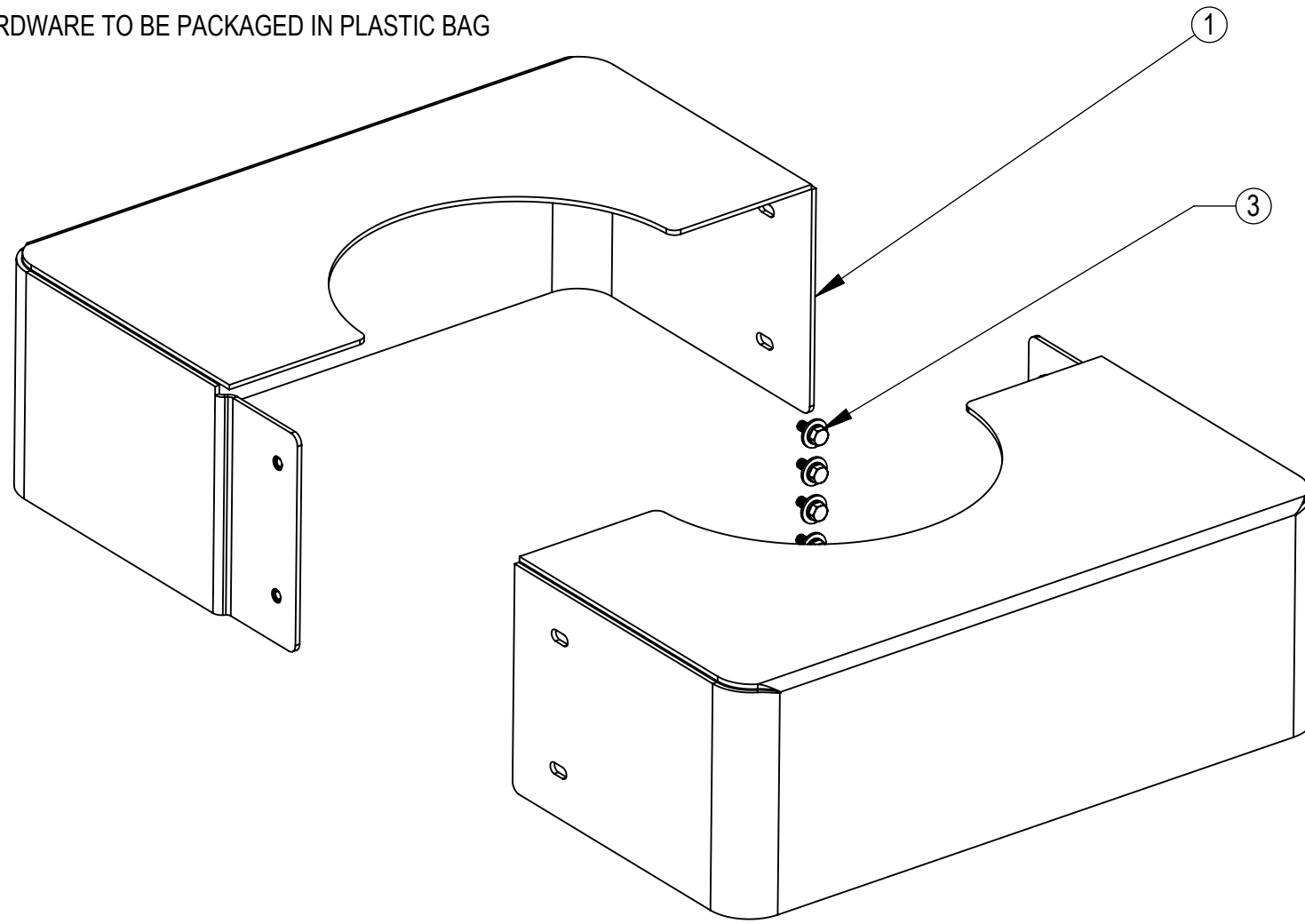
3

2

1

- 1. GENERAL NOTES
 - 1 MARK PART WITH IDENTIFICATION NUMBER
- 2. DESIGN NOTES
 - 1 THE FINISHED ITEM IS A SERIES ASSEMBLY. A -XX FINISH SUFFIX DESIGNATES A PRODUCT PART NUMBER THAT REPRESENTS A SPECIFIC COLOR AND/OR FINISH. REFER TO METROCELL DOCUMENT MTM1004 FOR SPECIFIC REQUIREMENTS
- 3. MANUFACTURING/SPECIAL REQUIREMENTS
- 4. TEST
- 5. PACKAGING
 - 5.1 UP TO 5% EXTRA HARDWARE
 - 5.2 LOOSE HARDWARE TO BE PACKAGED IN PLASTIC BAG

REVISIONS				
REV.	ECN	DESCRIPTION	BY	DATE
A	8000031422	INITIAL RELEASE	JP1130	9/4/2018
B	8000032587	UPDATE COVERS AND HARDWARE	JE1043	1/9/2019
C	8000042331	ADDED DIMENSIONED VIEWS	HCHEN5	8/14/2020



COMMSCOPE, INC. OF NORTH CAROLINA

TOLERANCES		SAP MATERIAL MASTER	
1 PLACE .X ± 0.25	3 PLACE .XXX ± 0.06	860641110-CKX	
2 PLACE .XX ± 0.12	ANGLES ± 0.5°	MATERIAL N/A	
FINISH NONE		MATERIAL N/A	

REV.	NAME	DATE	TITLE		
CE	JP1130	08/29/18	BASEPLATE COVER KIT FOR 8IN POLE		
RW	HCHEN5	08/17/2020			
RV	RW1043	09/06/2018			
AD	HCHEN5	08/17/2020			
RE	SF1043	08/18/2020			
ECN 008000042331			SCALE 1:4		
DOCUMENT NO.			860641110-CK SERIES		
SIZE	WORK AREA 24	MODEL			
C		DRAWING			
		VERSION 03	STATUS RE	REVISION C	VERSION 04
SHEET 1 OF 1					

BILL OF MATERIALS

ITEM NO.	PART NUMBER	DESCRIPTION	WEIGHT	Default/ QTY.	NOTE
1	MTM1032-100-XX	BASEPLATE COVER WELDMENT 8IN POLE	4.05 LBS	2	2.1
2	BX19198	BOX 19x19x8.5	1.49 LBS	1	
3	460155492	SEMS, HCS M6 X 16MM WITH CAPTIVE WASHERS	0.021 LBS	6	

DENSITY	9.72	lbs/in ³
MASS	9.72	lbs
VOLUME	341.68	in ³
SURFACE AREA	4173.47	in ²
HEIGHT	8.5 in.	
LENGTH	19 in.	
WIDTH	19 in.	

© 2020 CommScope, Inc. Confidential