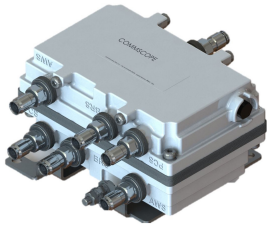


STX192127T-N10-V2 | E11F03P95



Ultra-Compact Twin Triplexer PCS/AWS/2496-2700MHz, NEX10 connectors

- BTS-to-feeder and feeder-to-antenna application
- Miniature NEX10™ series connector for superior PIM and compact size
- dc/AISG blocking on all ports
- Suitable for space limited applications like Metro Cell, Lamp Pole, Concealment Solution and Macro Site
- Ideal for small cell applications

Product Classification

Product Type Triplexer

General Specifications

Color Gray

Common Port Label COM

Modularity 2-Twin

Mounting Pole | Wall

Mounting Pipe Hardware Band clamps (2)

RF Connector Interface NEX10 Female

RF Connector Interface Body Style Long neck

Dimensions

Height 87 mm | 3.425 in

Width 135 mm | 5.315 in

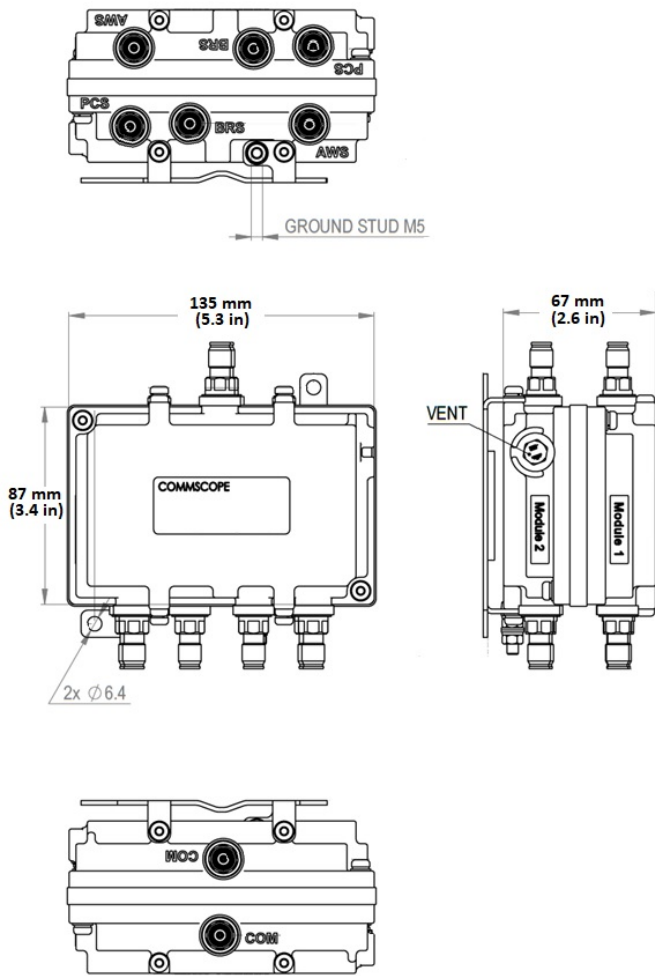
Depth 67 mm | 2.638 in

Ground Screw Diameter 5 mm | 0.197 in

Mounting Pipe Diameter Range 42.6–122 mm

Outline Drawing

STX192127T-N10-V2 | E11F03P95



Electrical Specifications

Impedance	50 ohm
License Band, Band Pass	AWS 1700 AWS 2000 DCS 1800 IMT 2100 IMT 2600 PCS 1900 TDD 2600

Electrical Specifications, dc Power/Alarm

dc/AISG Pass-through Method	No dc/AISG pass-through
Lightning Surge Current	5 kA
Lightning Surge Current Waveform	8/20 waveform

Electrical Specifications

Sub-module	1 2	1 2	1 2
-------------------	-------	-------	-------

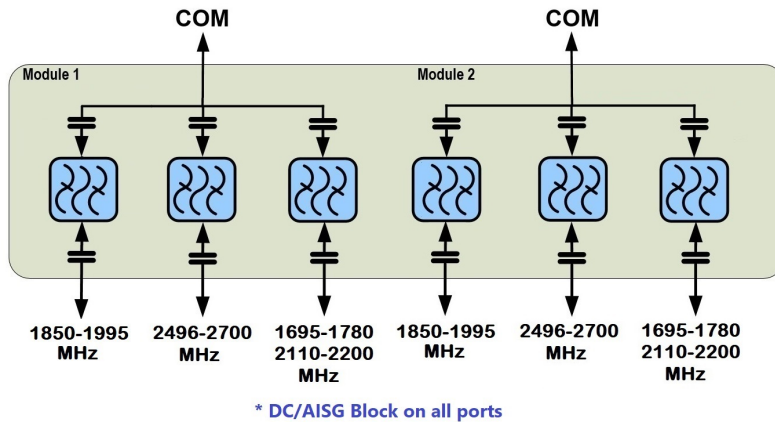
STX192127T-N10-V2 | E11F03P95

Branch	1	2	3
Port Designation	PCS	AWS	BRS
License Band	PCS 1900, Band Pass	AWS 1700, Band Pass AWS 2000, Band Pass	TDD 2600, Band Pass IMT 2600, Band Pass

Electrical Specifications, Band Pass

Frequency Range, MHz	1850-1995	1695-1780 2110-2200	2496-2700
Insertion Loss, maximum, dB	0.35	0.3	0.3
Total Group Delay, maximum, ns	15	15	8
Return Loss, typical, dB	20	20	20
Isolation, minimum, dB	35	35	35
Input Power, RMS, maximum, W	85	85	85
Input Power, PEP, maximum, W	1000	1000	1000
3rd Order PIM, typical, dBc	-155	-155	-155
3rd Order PIM Test Method	Two +43 dBm carriers	Two +43 dBm carriers	Two +43 dBm carriers

Block Diagram



Environmental Specifications

Operating Temperature	-40 °C to +65 °C (-40 °F to +149 °F)
Relative Humidity	Up to 100%
Corrosion Test Method	IEC 60068-2-11, 30 days
Ingress Protection Test Method	IEC 60529:2001, IP67

Packaging and Weights

STX192127T-N10-V2 | E11F03P95

Included	Mounting hardware
Mounting Hardware Weight	0.16 kg 0.353 lb
Volume	1.05 L
Weight, without mounting hardware	1.25 kg 2.756 lb