

4

3

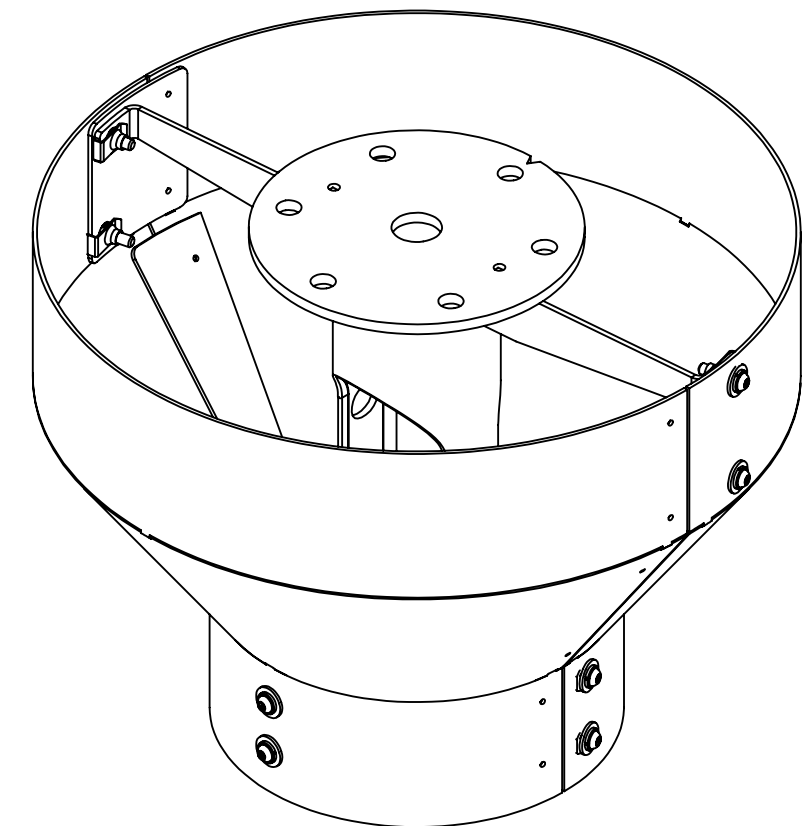
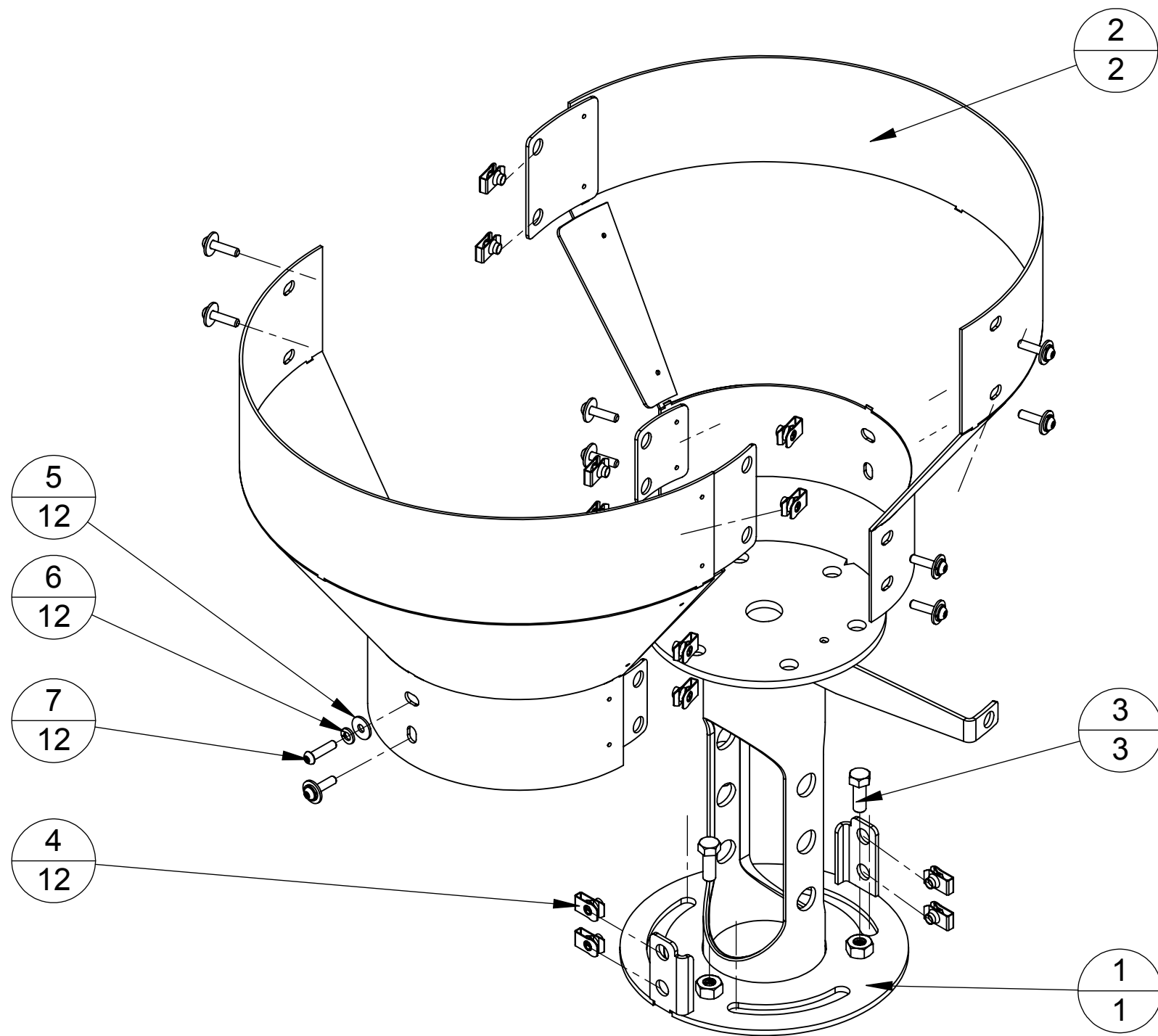
2

1

NOTES:

- 1. ALL METRIC DIMENSIONS ARE IN BRACKETS
- 2. ITEM 2 TO BE SUPPLIED PAINTED. -xx SUFFIX ON PRODUCT PART NUMBER REPRESENTS SPECIFIC COLOR AND/OR FINISH. REFER TO METROCELL PRODUCT COLOR/FINISH SPECIFICATION MTM1004 FOR SPECIFIC REQUIREMENTS

REVISIONS				
REV.	ECN	DESCRIPTION	BY	DATE
A	8000027623	INITIAL RELEASE	MG	12/18/17



ITEM NO.	PART NUMBER	DESCRIPTION	WEIGHT	QTY.	Notes
1	MTM100546	WELDMENT, ANTENNA MOUNT, 16" OD	5.75 LBS	1	
2	MTM100544-xx	WELDMENT, TRANSITION COVER, 16" OD ANTENNA SERIES	2.438 LBS	2	2
3	GB-03105	3/8" X 1" GALV BOLT KIT	0.05 LBS	3	
4	460143456	Clip Nut, 316 SST Alloy	0.01 LBS	12	
5	100525-71	WSHR,FLAT,M6,6.4X18X1.6,SST,PASS	2.77 LBS	12	
6	SWL-M6	M6 SS Lock Washer	0.00 LBS	12	
7	MTC3985M6X25	M6 X 1.00 X 25MM LG. BUTTON HEAD TAMPER PROOF	0.015 LBS	12	

DENSITY	0.14	lbs/in ³
MASS	11.17	lbs
VOLUME	82.14	in ³
SURFACE AREA		in ²
HEIGHT		
LENGTH		
WIDTH		

COMMSCOPE, INC. OF NORTH CAROLINA

TOLERANCES		SAP MATERIAL MASTER	
0 PLACE X ± .25	2 PLACE .XX ± .06	MTM100527-xx	
1 PLACE X ± .12	ANGLES ± 2°		
FINISH		MATERIAL	
SEE NOTE 2		NA	
UNLESS OTHERWISE SPECIFIED DIMENSIONS ARE IN MILLIMETERS INTERPRET PER ISO STANDARDS HANDBOOK TECHNICAL DRAWINGS VOLUMES 1 & 2, THIRD EDITION (2002)	CE	NAME	DATE
	RW	MG	12/18/17
	RV		
	AD		
	RE	TP	12/18/17
ECN	8000027623	SCALE	DOCUMENT NO.
		1:4	MTM100527 SERIES
SIZE	WORK AREA	MODEL	
C		VERSION	DRAWING
		STATUS	REVISION
		VERSION	STATUS
		REVISION	REVISION
			A
			SHEET
			1 OF 1