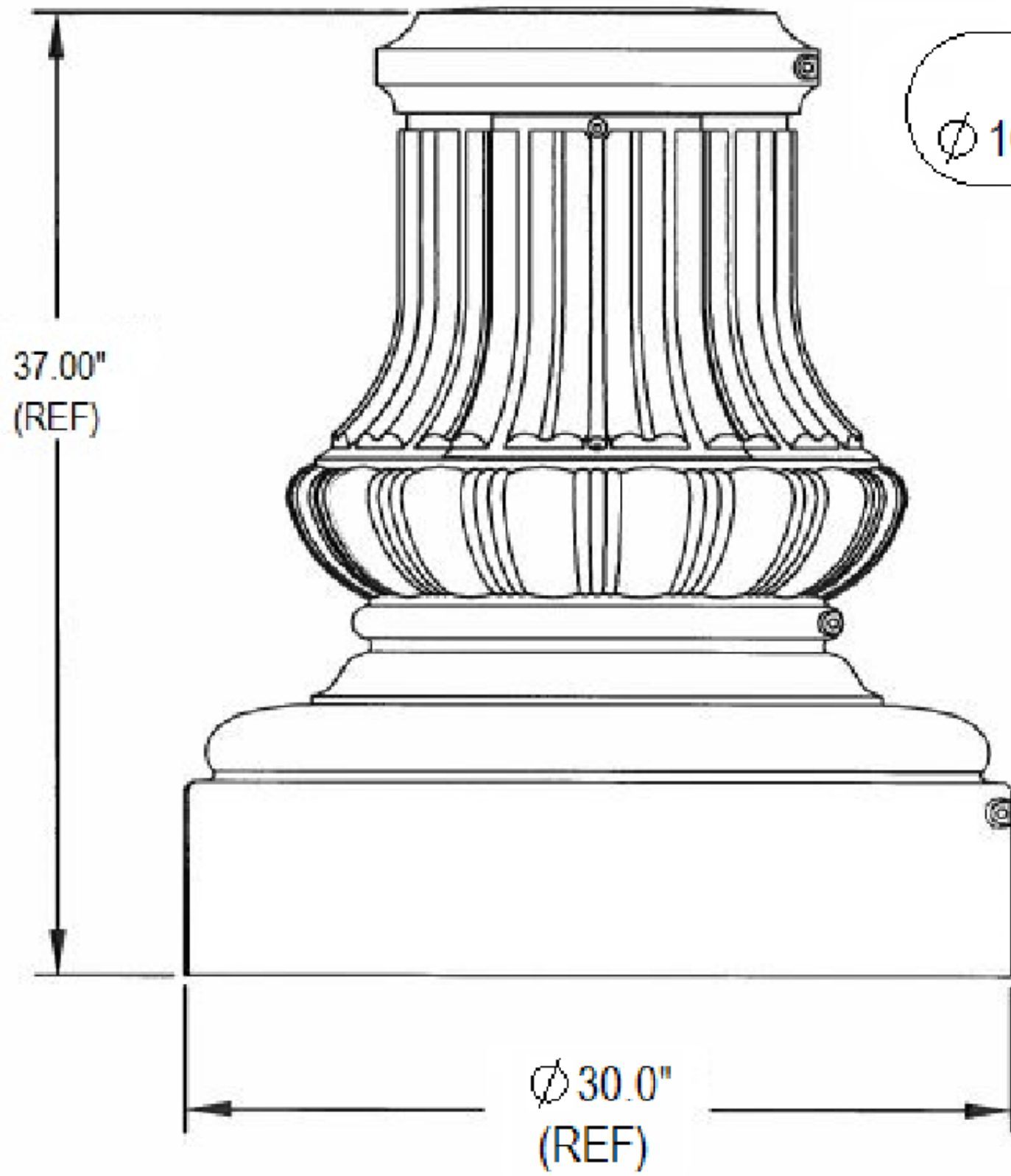
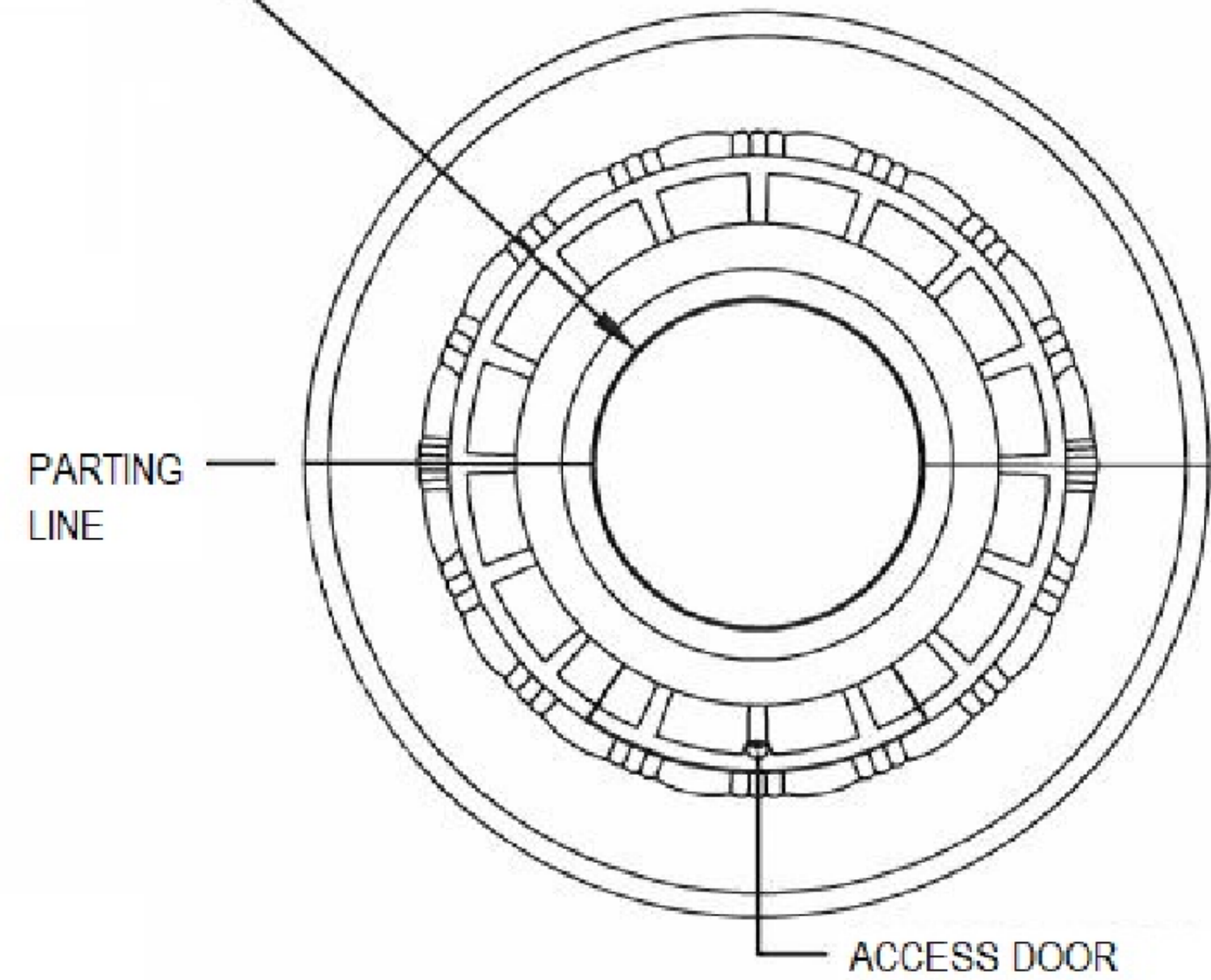


- 1. GENERAL NOTES
 - 1.1 ALL METRIC DIMENSIONS ARE IN BRACKETS [X.X]
 - 1.2 FEATURES CRITICAL TO QUALITY ARE INDICATED IN ROUNDED BOX (X.X)
- 2. DESIGN NOTES
- 3. MANUFACTURING/SPECIAL REQUIREMENTS
 - 3.1 NO VENDOR LOGOS OR MARKINGS SHOULD BE VISIBLE WHEN INSTALLED
 - 3.2 BREAK ALL SHARP EDGES AND DEBURR PART FOR SAFE HANDLING
 - 3.3 POWDER COAT EXTERIOR SURFACE PER COMMSCOPE'S PRODUCT COLOR/FINISH SPECIFICATION MTM1004 PER SUFFIX -XX. DO NOT POWDER COAT INTERIOR OF ASSEMBLY, OVERSPRAY IS PERMISSIBLE. INSPECT FINISH OF ASSY. TO COMMSCOPE'S MTM1004-0001, POWDER COATING INSPECTION ACCEPTANCE/REJECTION GUIDELINES.
- 4. TESTING
- 5. PACKAGING
 - 5.1 TO BE RECEIVED ASSEMBLED WITH ALL HARDWARE INSTALLED

REVISIONS				
REV.	ECN	DESCRIPTION	BY	DATE
A	8000039784	INITIAL RELEASE	BL1053	3/10/2020



ϕ 10.88" $\begin{matrix} +0.25 \\ -0.00 \end{matrix}$



COMMSCOPE, INC. OF NORTH CAROLINA

TOLERANCES		SAP MATERIAL MASTER	
1 PLACE .X ± .25	3 PLACE .XXX ± 0.06	MTM1034-1075-XX	
2 PLACE .XX ± 0.12	ANGLES ± 0.5°		

FINISH SEE NOTES	MATERIAL CAST ALUMINUM
---------------------	---------------------------

UNLESS OTHERWISE SPECIFIED DIMENSIONS ARE IN INCHES INTERPRET PER ANSI Y 14.5M-1994	NAME	DATE	TITLE
	CE BL1053	3/10/2020	WASHINGTON BASE COVER FOR 10.75" OD
	RW BL1053	03/25/2020	
	RV		
	AD MMC FALL	03/25/2020	
RE BL1053	03/25/2020		
ECN 008000039784	SCALE 1:1	DOCUMENT NO. MTM1034-1075-XX	

DENSITY	lbs/in ³
MASS	lbs
VOLUME	in ³
SURFACE AREA	in ²
HEIGHT	37.00"
LENGTH	30.00"
WIDTH	30.00"

SIZE	WORK AREA	24	MODEL			DRAWING			SHEET
C	[Symbol]	[Symbol]	VERSION	STATUS	REVISION	VERSION	STATUS	REVISION	1 OF 1
						01	RE	A	