

4

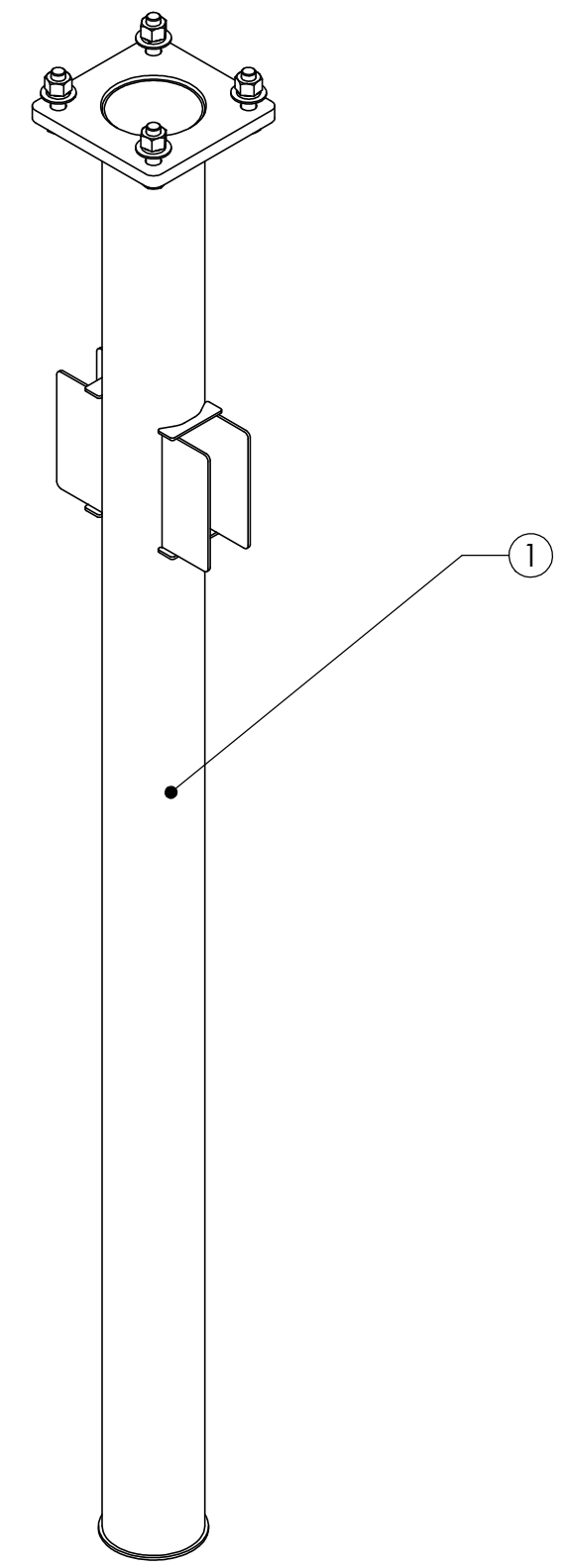
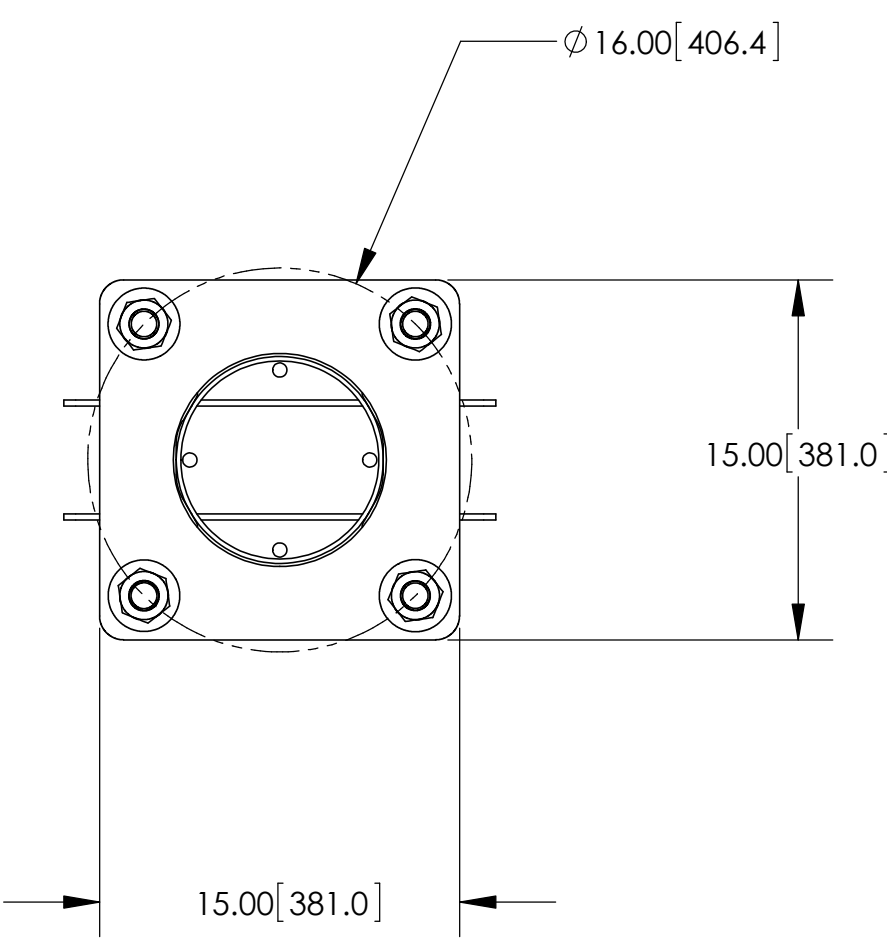
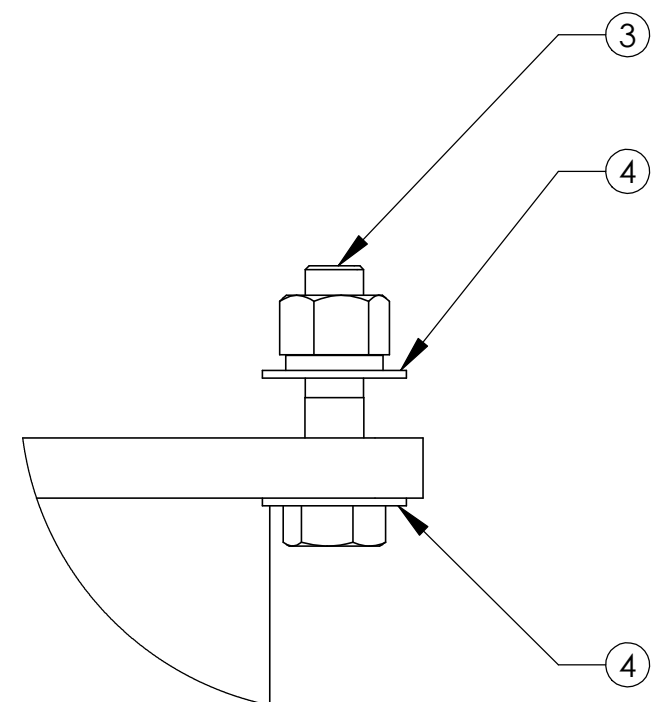
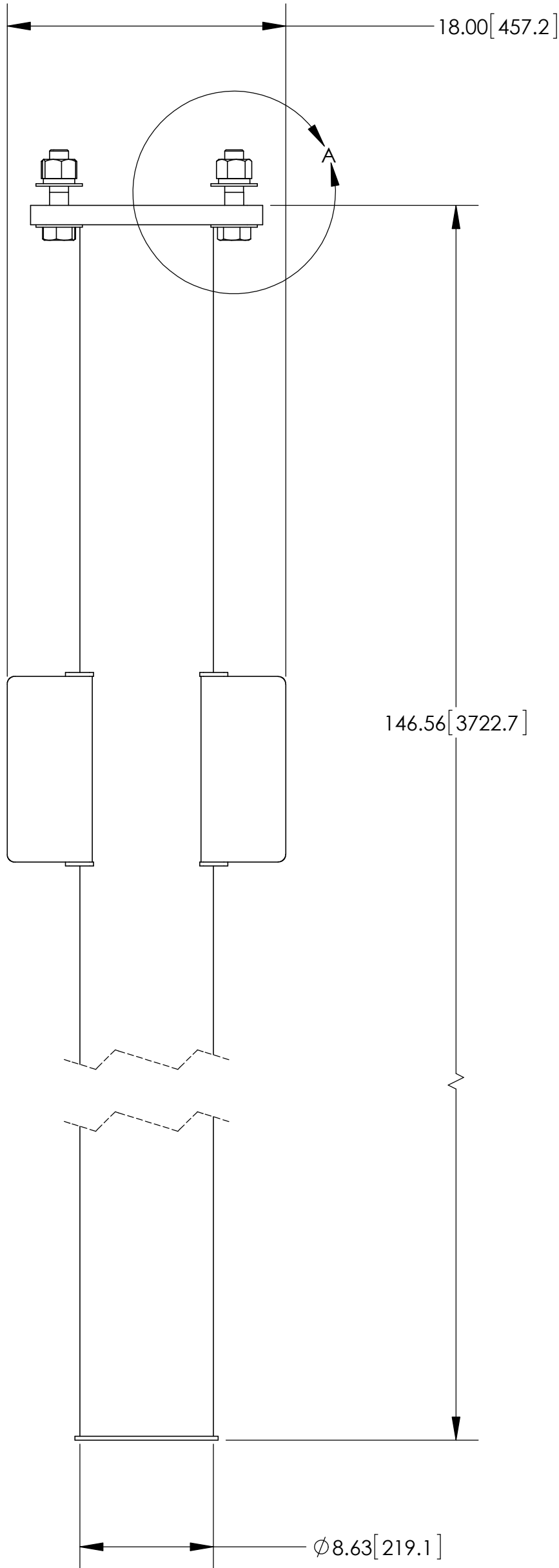
3

2

1

NOTES: 1.0 ALL METRIC DIMENSIONS ARE IN BRACKETS.

REVISIONS				
REV.	ECN	DESCRIPTION	BY	DATE
A	8000030387	INITIAL RELEASE	SD	06/21/2018



<b>COMMSCOPE, INC. OF NORTH CAROLINA</b>									
TOLERANCES					SAP MATERIAL MASTER				
0 PLACE X ± .25		2 PLACE .XX ± .03			<b>860636943-12</b>				
1 PLACE .X ± .06		ANGLES ± 2°							
FINISH					MATERIAL				
GALV A123					N/A				
UNLESS OTHERWISE SPECIFIED DIMENSIONS ARE IN MILLIMETERS INTERPRET PER ISO STANDARDS HANDBOOK TECHNICAL DRAWINGS VOLUMES 1 & 2, THIRD EDITION (2002)	CE	NAME	DATE	TITLE					
	RW	SD	06/21/18	<b>METROCELL, KIT, EMBEDDED PLE, 8" X 12'</b>					
	RV								
	AD			SCALE	DOCUMENT NO.				
	RE	TP	06/21/18	<b>1:24</b>	<b>860636943-12</b>				
	ECN	8000030387							
SIZE	WORK AREA			MODEL			DRAWING		
<b>C</b>				VERSION	STATUS	REVISION	VERSION	STATUS	REVISION
						A			
									SHEET
									1 OF 1

ITEM	PART NO.	DESCRIPTION	QTY.	WEIGHT	NOTE NO.
1	MTC399921	EMBEDDED POLE WELDMENT, 12" X 8.625" OD	1	290.31 LBS	
2	MTC3999EPHK	EMBEDDED POLE HDWR KIT (NEXT 2 ITEMS)	-		
3	GB-1050A	1.25-7 X 5" GALV BOLT KIT (A325)	4	2.37 LBS	
4	GWF-10	1-1/4" GALV FLAT WASHER	8	0.25 LBS	

DENSITY	0.28	lbs/in <sup>3</sup>
MASS	305.96	lbs
VOLUME	1085.77	in <sup>3</sup>
SURFACE AREA		in <sup>2</sup>
HEIGHT		
LENGTH		
WIDTH		