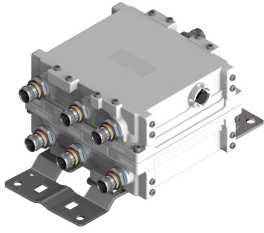


E14F11P11



2X Triplexer 703-788/811-862/890-950, DC Smart Bypass, with 4.3-10 connectors

- Industry leading PIM performance
- Twin configuration
- New 4.3-10 connectors for improved PIM performance and size reduction
- Designed for network modernization application, introduction of LTE700 and LTE800 on existing site
- DC/AISG SMART bypass functionality

Product Classification

Product Type Triplexer

General Specifications

Color Gray

Modularity 2-Twin

Mounting Pole | Wall

Mounting Pipe Hardware Band clamps (2)

RF Connector Interface 4.3-10 Female

Dimensions

Height 175 mm | 6.89 in

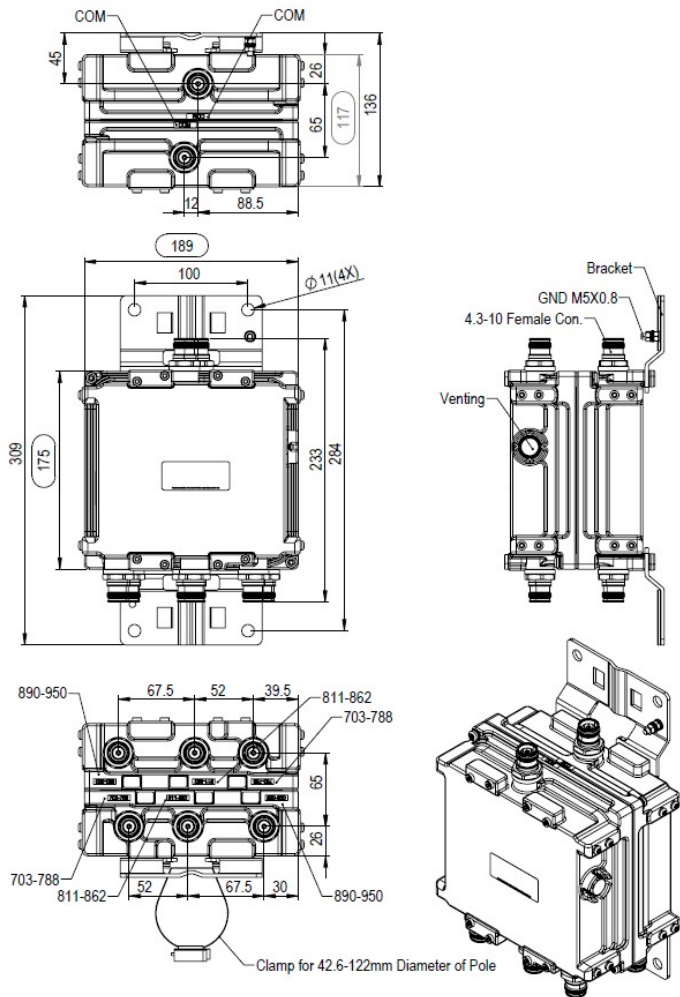
Width 189 mm | 7.441 in

Depth 117 mm | 4.606 in

Mounting Pipe Diameter Range 42.6–122 mm

Outline Drawing

E14F11P11



Electrical Specifications

Impedance	50 ohm
Electrical Specifications, dc Power/Alarm	
dc/AISG Pass-through, combiner	Autosensing
dc/AISG Pass-through, demultiplexer	Autosensing
Lightning Surge Current	10 kA
Lightning Surge Current Waveform	8/20 waveform

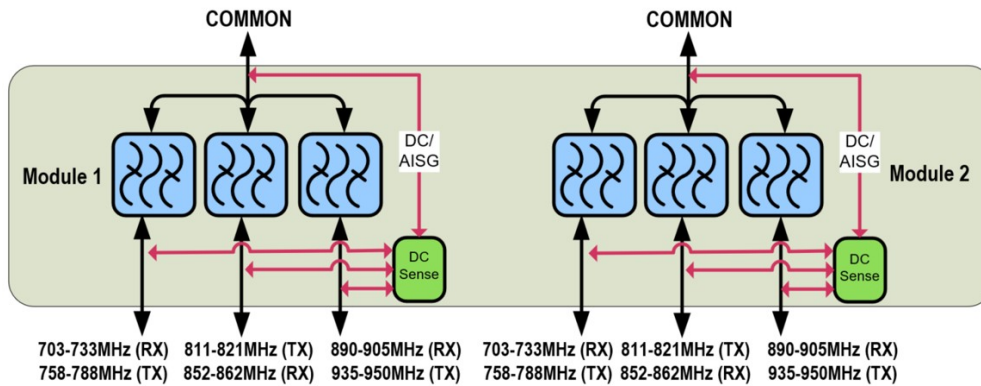
Electrical Specifications

Sub-module	1 2	1 2	1 2
Branch	1	2	3

E14F11P11

Port Designation	703-788	811-862	890-950
Electrical Specifications, Band Pass			
Frequency Range, MHz	703-788	811-862	890-950
Insertion Loss, typical, dB	0.15	0.2	0.2
Return Loss, typical, dB	20	20	20
Isolation, typical, dB	45	45	45
Input Power, RMS, maximum, W	150	150	150
Input Power, PEP, maximum, W	1000	1000	1000
3rd Order PIM, typical, dBc	-162	-162	-162
3rd Order PIM Test Method	Two +43 dBm carriers	Two +43 dBm carriers	Two +43 dBm carriers

Block Diagram



Environmental Specifications

Operating Temperature	-40 °C to +65 °C (-40 °F to +149 °F)
Corrosion Test Method	IEC 60068-2-11, 30 days
Environmental Test Method	ETSI EN 300 019-1-4
Ingress Protection Test Method	IEC 60529:2001, IP67

Packaging and Weights

Included	Mounting hardware
Volume	3.9 L
Weight, with mounting hardware	4.8 kg 10.582 lb
Weight, without mounting hardware	4.3 kg 9.48 lb

Regulatory Compliance/Certifications

E14F11P11

Agency

ISO 9001:2015

**Classification**

Designed, manufactured and/or distributed under this quality management system